

Operation

Rotating the vise handle (see **Figure 4**) clockwise moves the movable jaw toward the fixed jaw.

Rotating the vise handle counterclockwise moves the movable jaw away from the fixed jaw.

Maintenance

The painted parts of the vise can be cleaned with a damp rag. If wood pitch has built up on the components, clean this with a pitch-dissolver or blade and bit cleaner.

Lubricate the leadscrew with a dry lubrication, such as silicone or graphite, that will not cause sawdust to stick to the threads.

If material becomes built up on the threads, clean thoroughly with a pitch-dissolver.

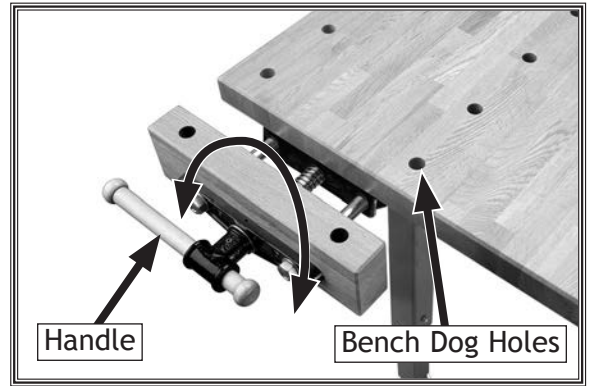
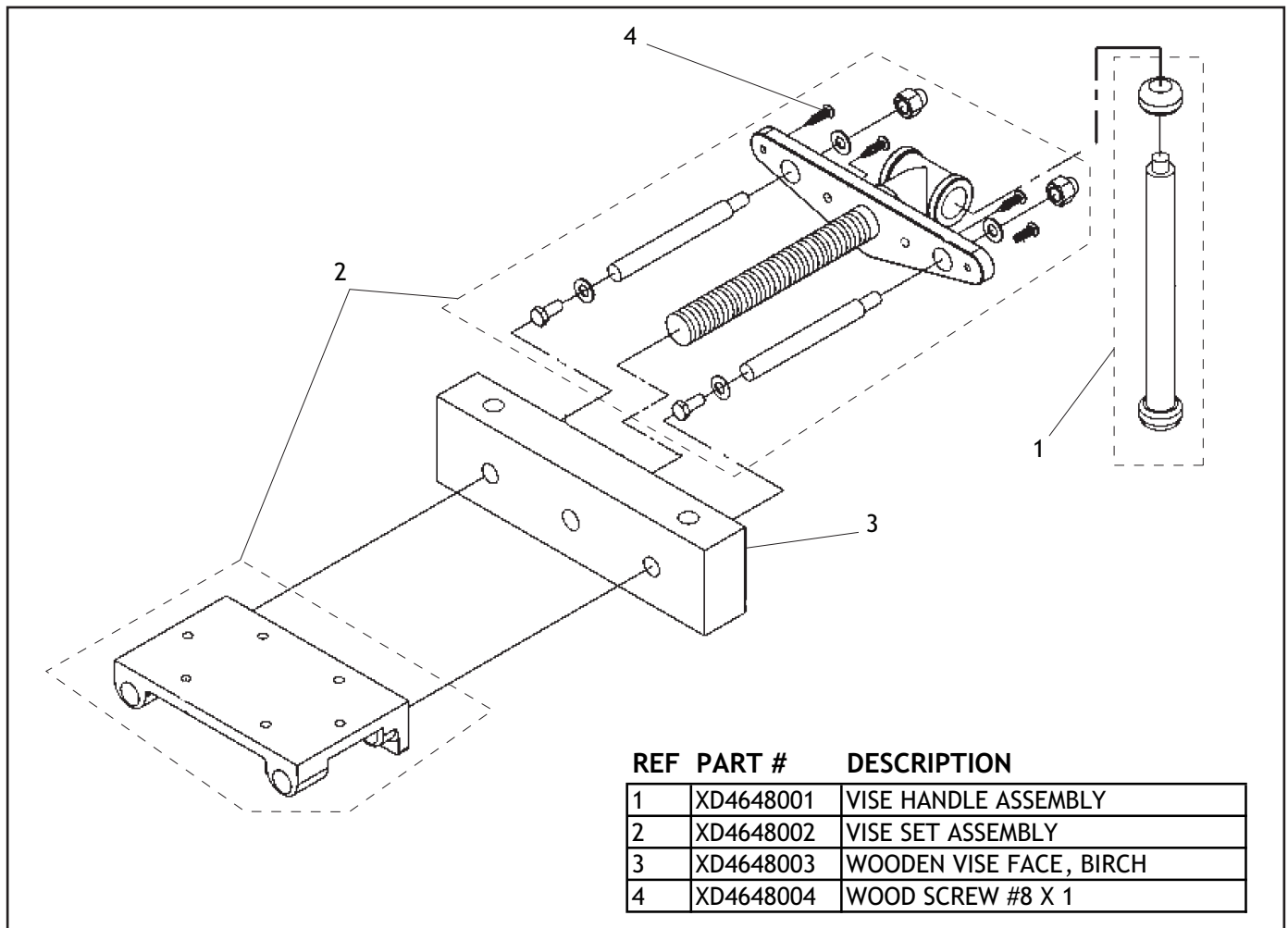


Figure 4. Vise operation.

D4648 Parts



REF	PART #	DESCRIPTION
1	XD4648001	WISE HANDLE ASSEMBLY
2	XD4648002	WISE SET ASSEMBLY
3	XD4648003	WOODEN VISE FACE, BIRCH
4	XD4648004	WOOD SCREW #8 X 1