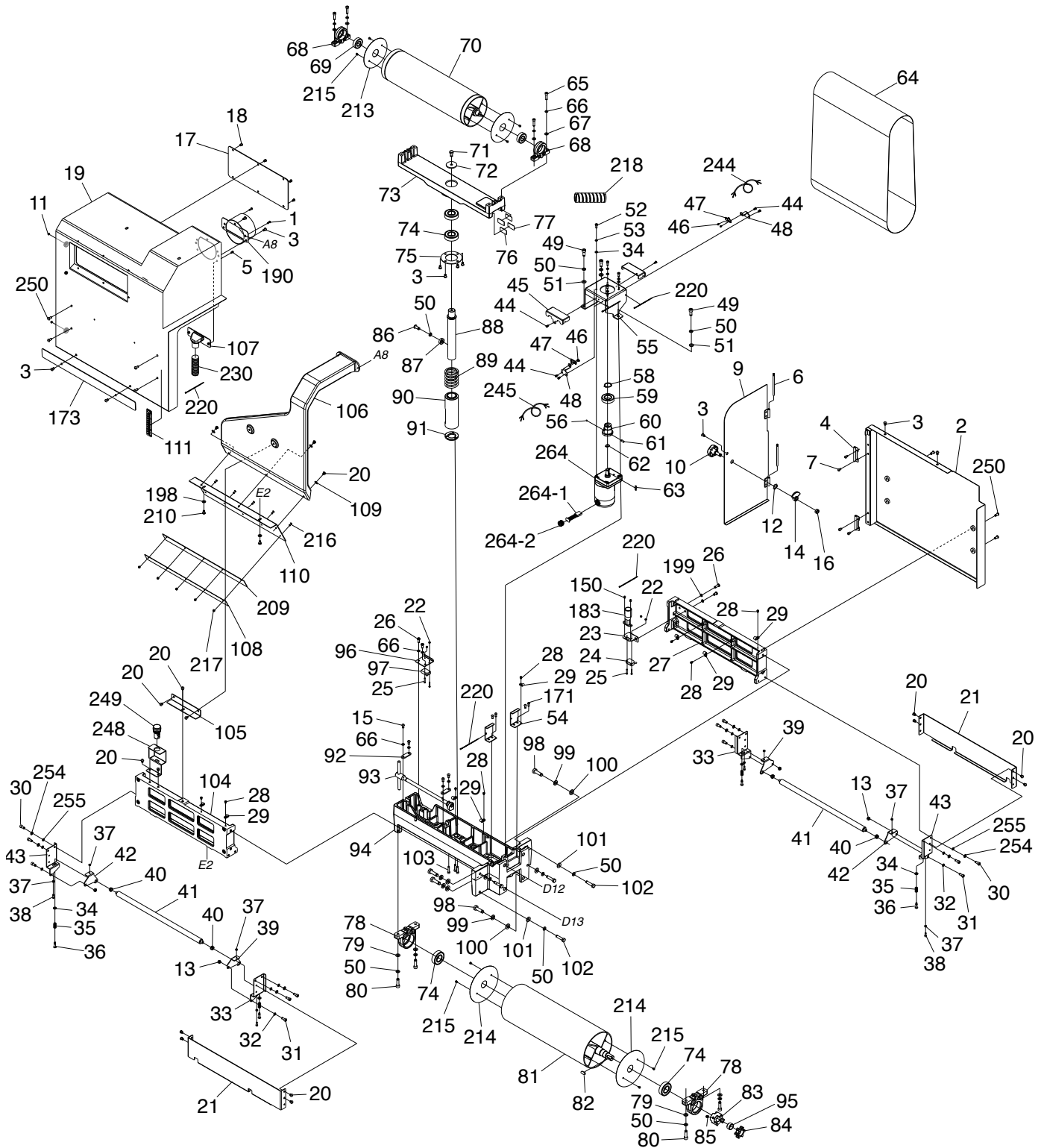


SECTION 9: PARTS

We do our best to stock replacement parts when possible, but we cannot guarantee that all parts shown are available for purchase. Call (800) 523-4777 or visit www.grizzly.com/parts to check for availability.

G0415 Sanding Drums



G0415 Sanding Drums Parts List

REF	PART #	DESCRIPTION
1	P0415001	TAP SCREW M4 X 12
2	P0415002	REAR COVER
3	P0415003	BUTTON HD CAP SCR M6-1 X 10
4	P0415004	HINGE PLATE
5	P0415005	TAP SCREW M4 X 8
6	P0415006	HINGE PIN 5 X 100MM
7	P0415007	BUTTON HD CAP SCR M5-.8 X 10
9	P0415009	MAINTENANCE DOOR
10	P0415010	KNOB BOLT 3/8-16 X 25MM
11	P0415011	MAGNET 6.1 X 4MM
12	P0415012	WAVY WASHER 14.5MM
13	P0415013	LOCK NUT M6-1
14	P0415014	LATCH
15	P0415015	BUTTON HD CAP SCR M6-1 X 12
16	P0415016	LOCK NUT 3/8-16
17	P0415017	WINDOW PANEL 12.75 X 5.5"
18	P0415018	BUTTON HD CAP SCR M5-.8 X 8
19	P0415019	COVER, UPPER
20	P0415020	BUTTON HD CAP SCR M6-1 X 8
21	P0415021	PRESSURE ROLLER COVER PLATE
22	P0415022	LOCK NUT M3-.5
23	P0415023	RECEIVER SENSOR BRACKET
24	P0415024	SENSOR RECEIVER OMRON E3Z-T61-D
25	P0415025	PHLP HD SCR M3-.5 X 20
26	P0415026	PHLP HD SCR M6-1 X 15
27	P0415027	FRAME BRACKET, REAR
28	P0415028	PHLP HD SCR M4-.7 X 6
29	P0415029	CORD CLAMP 5MM
30	P0415030	CAP SCREW M6-1 X 16
31	P0415031	CAP SCREW M6-1 X 15
32	P0415032	FLAT WASHER 6MM
33	P0415033	PRESSURE ROLLER MOUNT, FR/RL
34	P0415034	FLAT WASHER 5MM
35	P0415035	COMPRESSION SPRING 1.2 X 8.4 X 14
36	P0415036	SHOULDER SCREW M4-.7 X 7.7, 5 X 14.3
37	P0415037	HEX NUT M4-.7
38	P0415038	CAP SCREW M4-.7 X 12
39	P0415039	PRESSURE ROLLER PIVOT PLATE, FR/RL
40	P0415040	FLANGED BUSHING 8ID X 12OD X 7L
41	P0415041	PRESSURE ROLLER
42	P0415042	PRESSURE ROLLER PIVOT PLATE, FL/RR
43	P0415043	PRESSURE ROLLER MOUNT, FL/RR
44	P0415044	PHLP HD SCR M4-.7 X 8
45	P0415045	SPEED SENSOR COVER
46	P0415046	PHLP HD SCR M3-.5 X 4
47	P0415047	SPEED SENSOR MST MH253
48	P0415048	SPEED SENSOR BRACKET
49	P0415049	CAP SCREW M8-1.25 X 20
50	P0415050	LOCK WASHER 8MM

REF	PART #	DESCRIPTION
51	P0415051	FLAT WASHER 8MM
52	P0415052	CAP SCREW M5-.8 X 12
53	P0415053	LOCK WASHER 5MM
54	P0415054	BRACKET
55	P0415055	OSCILLATION MOTOR MOUNT
56	P0415056	MAGNET 4 X 4MM
58	P0415058	EXT RETAINING RING 25MM
59	P0415059	BALL BEARING 6005-2NSE
60	P0415060	ECCENTRIC MOTOR COUPLER
61	P0415061	SET SCREW M5-.8 X 12
62	P0415062	EXT RETAINING RING 12MM
63	P0415063	KEY 4 X 4 X 20 RE
64	P0415064	SANDING BELT 16" X 48" 80-GRIT
65	P0415065	CAP SCREW M6-1 X 25
66	P0415066	LOCK WASHER 6MM
67	P0415067	FLAT WASHER 6MM
68	P0415068	BEARING BLOCK, UPPER
69	P0415069	BALL BEARING 6203-2NSE
70	P0415070	DRUM, UPPER
71	P0415071	HEX BOLT M8-1.25 X 16
72	P0415072	FENDER WASHER 8 X 40 X 3MM
73	P0415073	UPPER ROLLER BRACKET
74	P0415074	BALL BEARING 6205-2NSE
75	P0415075	BEARING CAP
76	P0415076	DOUBLE SIDED TAPE 19 X .25 X 34MM
77	P0415077	PLATE
78	P0415078	BEARING BLOCK, LOWER
79	P0415079	FLAT WASHER 8.5 X 16 X 1.5MM
80	P0415080	CAP SCREW M8-1.25 X 30
81	P0415081	SANDING DRUM, LOWER
82	P0415082	KEY 8 X 7 X 16
83	P0415083	COUPLING HUB
84	P0415084	SPIDER INSERT, RUBBER
85	P0415085	SET SCREW M8-1.25 X 8
86	P0415086	BUTTON HD CAP SCR M8-1.25 X 20
87	P0415087	BALL BEARING 608ZZ
88	P0415088	CENTRAL SHAFT
89	P0415089	COMPRESSION SPRING 5.5 X 51.5 X 60
90	P0415090	SUPPORT COLUMN
91	P0415091	COLUMN END PLATE
92	P0415092	PRESSURE PLATE
93	P0415093	CAM LEVER ASSEMBLY
94	P0415094	HEADSTOCK
95	P0415095	BUSHING 20 X 23.9 X 12MM
96	P0415096	EMITTER SENSOR BRACKET
97	P0415097	SENSOR EMITTER OMRON E3Z-T61-L
98	P0415098	HEX BOLT M10-1.5 X 30
99	P0415099	LOCK WASHER 10MM
100	P0415100	FLAT WASHER 10MM



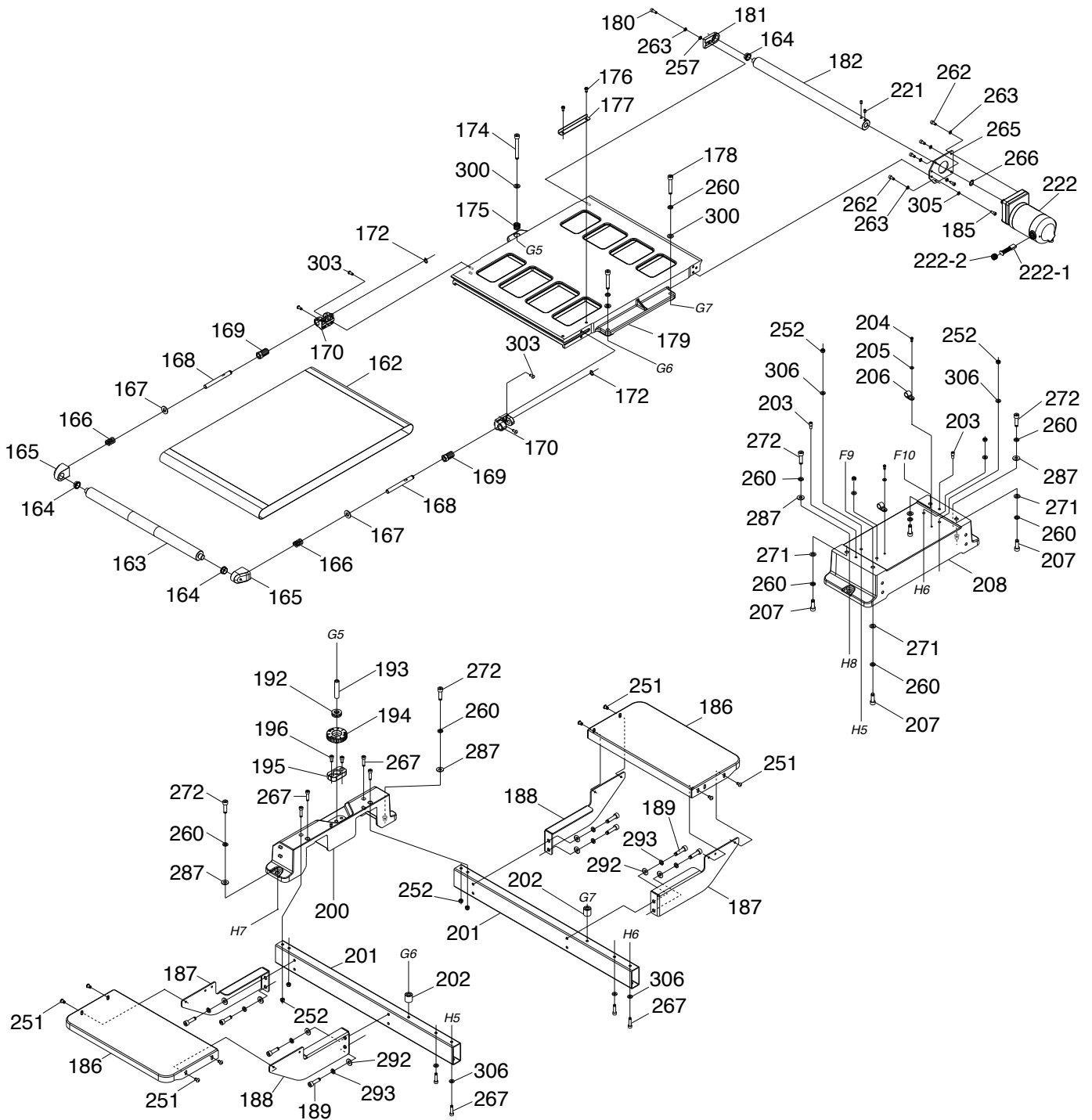
G0415 Sanding Drums Parts List (Cont.)

101	P0415101	FLAT WASHER 8.5 X 19 X 2MM
102	P0415102	HEX BOLT M8-1.25 X 35
103	P0415103	CAP SCREW M5-.8 X 25
104	P0415104	FRAME BRACKET, FRONT
105	P0415105	MOUNTING BRACKET
106	P0415106	DUST SCOOP
107	P0415107	AUXILARY DUST PORT, UPPER
108	P0415108	PRESSURE BAR
109	P0415109	FLAT WASHER 6.4 X 16 X 1MM
110	P0415110	CHIP BREAKER
111	P0415111	SCALE
150	P0415150	BUTTON HD CAP SCR M4-.7 X 6
171	P0415171	BUTTON HD CAP SCR M5-.8 X 12
173	P0415173	DEPTH LIMITER
183	P0415183	AUXILARY DUST PORT, LOWER
190	P0415190	DUST PORT 4"
198	P0415198	FLAT WASHER 6MM
199	P0415199	FLAT WASHER 6MM
209	P0415209	RUBBER PAD 17.2 X 1.6 X .06"

210	P0415210	PHLP HD SCR M6-1 X 10
213	P0415213	UPPER DRUM END COVER
214	P0415214	LOWER DRUM END COVER
215	P0415215	BUTTON HD CAP SCR M4-.7 X 6
216	P0415216	BUTTON HD CAP SCR M4-.7 X 10
217	P0415217	LOCK NUT M4-.7
218	P0415218	CONDUIT 350MM
220	P0415220	CABLE TIE 104MM
230	P0415230	DUST HOSE 1" X 26.7"
244	P0415244	CORD 24G 3W 33" P7
245	P0415245	CORD 24G 3W 35" P8
248	P0415248	LIGHT BRACKET
249	P0415249	LED LIGHT, WHITE
250	P0415250	BUTTON HD CAP SCR M6-1 X 16
254	P0415254	LOCK WASHER 6MM
255	P0415255	FLAT WASHER 6MM
264	P0415264	MOTOR 1/30HP 100V DC
264-1	P0415264-1	MOTOR BRUSH
264-2	P0415264-2	BRUSH CAP



G0415 Feed Table



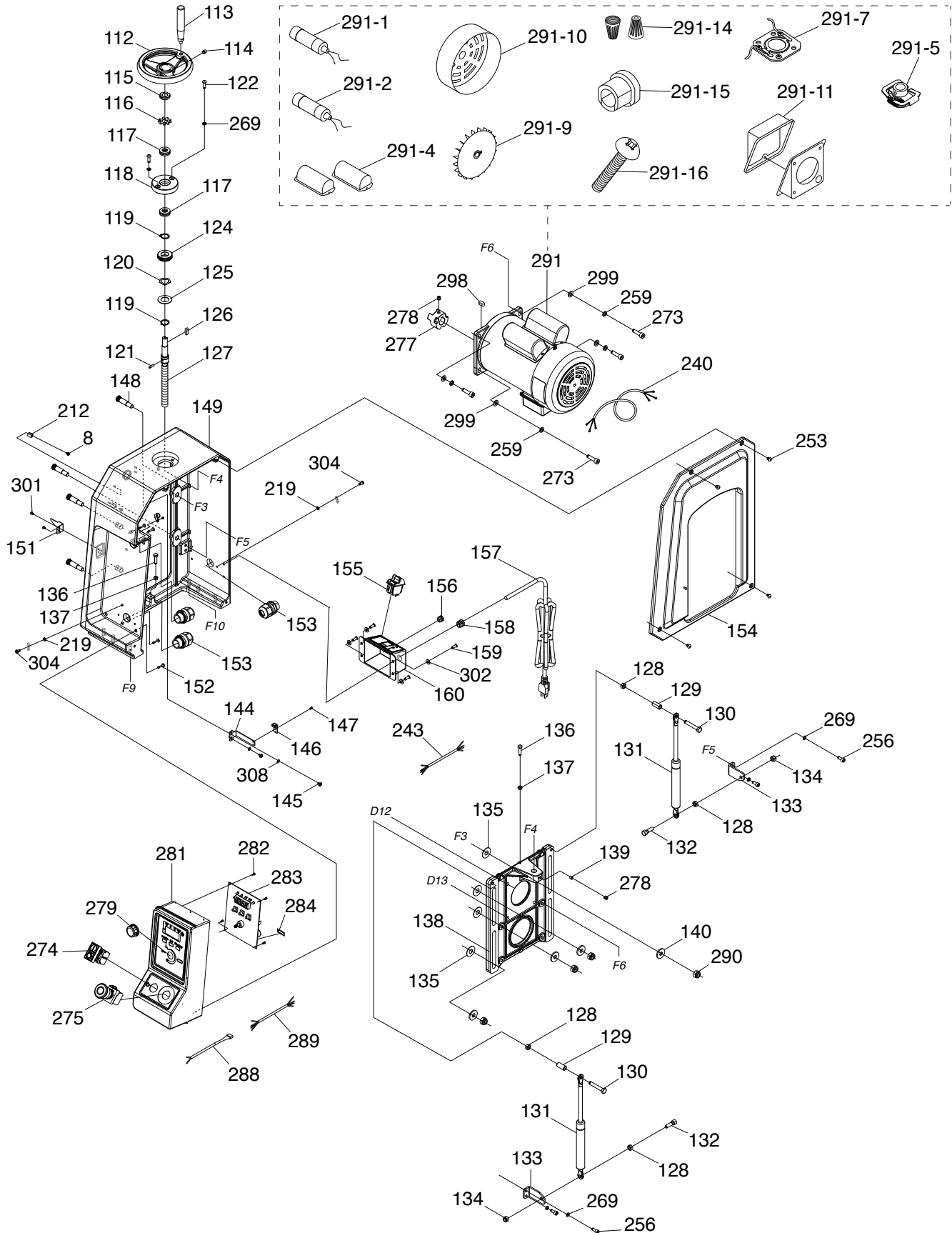
G0415 Feed Table Parts List

REF	PART #	DESCRIPTION
162	P0415162	FEED BELT 15" X 47"
163	P0415163	FEED BELT ROLLER, FRONT
164	P0415164	BUSHING 14ID X 17OD X 6L
165	P0415165	TENSION ROLLER BLOCK
166	P0415166	COMPRESSION SPRING 2.4 X 16.2 X 22MM
167	P0415167	FLAT WASHER 10MM
168	P0415168	TENSION SHAFT
169	P0415169	ADJUST BOLT M16-2 X 24
170	P0415170	TENSION ROLLER BRACKET
172	P0415172	EXT. RETAINING RING 10MM
174	P0415174	CAP SCREW M8-1.25 X 70
175	P0415175	COMPRESSION SPRING 1.6 X 16.6 X 14MM
176	P0415176	PHLP HD SCR M5-.8 X 10
177	P0415177	GUIDE RAIL
178	P0415178	CAP SCREW M8-1.25 X 50
179	P0415179	TABLE
180	P0415180	CAP SCREW M5-.8 X 15
181	P0415181	FIXED ROLLER BLOCK
182	P0415182	FEED BELT ROLLER, REAR
185	P0415185	CAP SCREW M5-.8 X 12
186	P0415186	EXTENSION TABLE
187	P0415187	TABLE BRACKET, LEFT
188	P0415188	TABLE BRACKET, RIGHT
189	P0415189	CAP SCREW M8-1.25 X 20
192	P0415192	THRUST BEARING 51101
193	P0415193	BUSHING 8.2 X 11.9 X 54MM
194	P0415194	LEVELING DIAL
195	P0415195	TABLE ELEVATION BRACKET
196	P0415196	CAP SCREW M6-1 X 12
200	P0415200	TABLE BASE, LEFT

REF	PART #	DESCRIPTION
201	P0415201	TABLE MOUNT
202	P0415202	BUSHING 9 X 20 X 21.5 MM
203	P0415203	SHOULDER BOLT M6-1 X 10, 7.95 X 9MM
204	P0415204	PHLP HD SCR M4-.7 X 10
205	P0415205	FLAT WASHER 4MM
206	P0415206	CORD CLAMP 19MM
207	P0415207	CAP SCREW M8-1.25 X 25
208	P0415208	SWEEP 14 X 7 X 3.5" RUBBER
221	P0415221	SET SCREW M4-.7 X 8
222	P0415222	MOTOR 1/30HP 100V DC
222-1	P0415222-1	MOTOR BRUSH
222-2	P0415222-2	BRUSH CAP
251	P0415251	BUTTON HD CAP SCR M6-1 X 10
252	P0415252	LOCK NUT M6-1
257	P0415257	FLAT WASHER 5MM
260	P0415260	LOCK WASHER 8MM
262	P0415262	CAP SCREW M5-.8 X 12
263	P0415263	LOCK WASHER 5MM
265	P0415265	MOTOR PLATE
266	P0415266	EXT RETAINING RING 12MM
267	P0415267	CAP SCREW M6-1 X 25
271	P0415271	FLAT WASHER 8.5 X 16 X 1.5MM
272	P0415272	CAP SCREW M8-1.25 X 30
287	P0415287	FLAT WASHER 8.5 X 19 X 2MM
292	P0415292	FLAT WASHER 8MM
293	P0415293	LOCK WASHER 8MM
300	P0415300	FLAT WASHER 8MM
303	P0415303	BUTTON HD CAP SCR M5-.8 X 12
305	P0415305	LOCK WASHER 5MM
306	P0415306	FLAT WASHER 6MM



G0415 Main Motor & Control Panel



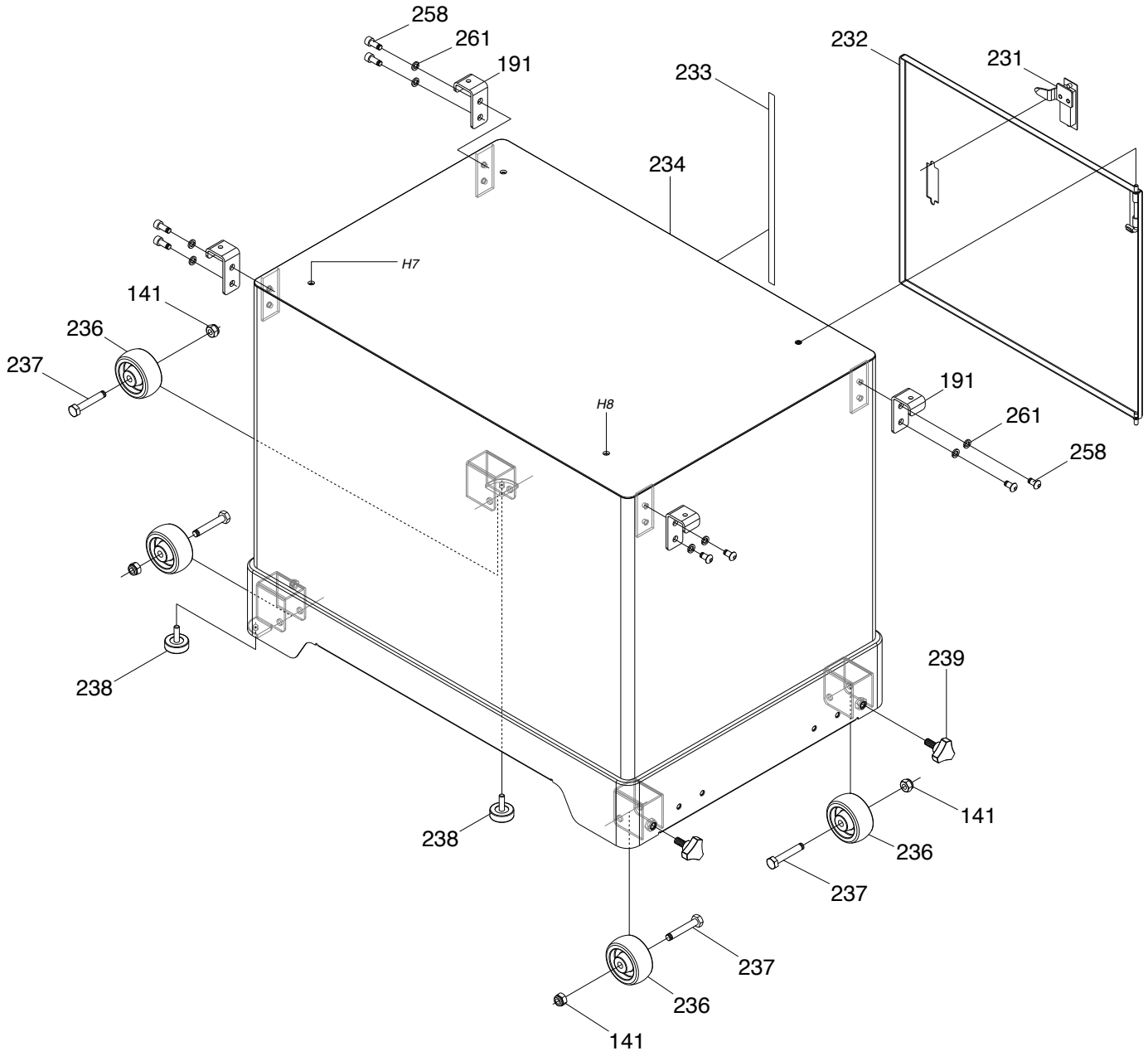
G0415 Main Motor & Control Panel Parts List

REF	PART #	DESCRIPTION
8	P0415008	PHLP HD SCR M4-.7 X 8
112	P0415112	HANDWHEEL 13.05 X 150MM, 3/8-16 X 10
113	P0415113	REVOLVING HANDLE 3/8-16 X 10
114	P0415114	SET SCREW M8-1.25 X 10
115	P0415115	SPANNER NUT M15-1
116	P0415116	EXT TOOTH WASHER 15MM
117	P0415117	THRUST BEARING 51102
118	P0415118	LEADSCREW NUT FLANGE
119	P0415119	EXT RETAINING RING 20MM
120	P0415120	WAVY WASHER 20MM
121	P0415121	ROLL PIN 4 X 16
122	P0415122	BUTTON HD CAP SCR M6-1 X 20
124	P0415124	MAGNETIC SPACER 20.1 X 38 X 10MM
125	P0415125	FLAT WASHER 21 X 37 X 1MM
126	P0415126	KEY 6 X 6 X 20
127	P0415127	ELEVATION LEADSCREW 5/8-12 X 9"
128	P0415128	HEX NUT M8-1.25
129	P0415129	SPACER 12OD X 8.2ID X 25MM
130	P0415130	HEX BOLT M8-1.25 X 50
131	P0415131	GAS SPRING W/EYELET FITTING
132	P0415132	HEX BOLT M8-1.25 X 20
133	P0415133	SPRING BRACKET
134	P0415134	LOCK NUT M8-1.25
135	P0415135	FLAT WASHER 12.2 X 28 X 1MM, BRASS
136	P0415136	HEX BOLT M6-1 X 25
137	P0415137	HEX NUT M6-1
138	P0415138	MOTOR BRACKET
139	P0415139	THREAD INSERT 6.7 X 8 POLYURETHANE
140	P0415140	FENDER WASHER 10.5 X 28 X 3MM
144	P0415144	HEIGHT SENSOR BRACKET
145	P0415145	PHLP HD SCR M4-.7 X 9
146	P0415146	HEIGHT SENSOR PROLIFIC PT3601A
147	P0415147	PHLP HD SCR M3-.5 X 6
148	P0415148	SHOULDER BOLT M10-1.5 X 18, 12 X 33
149	P0415149	ELEVATION HOUSING
151	P0415151	SCALE POINTER
152	P0415152	TAP SCREW M4 X 20
153	P0415153	STRAIN RELIEF 1/2"
154	P0415154	CONTROL ACCESS PANEL
155	P0415155	POWER SWITCH KEDU HY7
156	P0415156	STRAIN RELIEF SBR5-2
157	P0415157	POWER CORD 14G 3W 102" 5-15P

REF	PART #	DESCRIPTION
158	P0415158	STRAIN RELIEF 9/16"
159	P0415159	PHLP HD SCR M6-1 X 10
160	P0415160	POWER SWITCH JUNCTION BOX
212	P0415212	CORD CLAMP 5/8"
219	P0415219	EXT TOOTH WASHER 5MM
240	P0415240	MAIN MOTOR CORD 14G 3W 35"
243	P0415243	CORD 24G 4W 26" P4
253	P0415253	BUTTON HD CAP SCR M6-1 X 8
256	P0415256	CAP SCREW M6-1 X 15
259	P0415259	LOCK WASHER 8MM
269	P0415269	LOCK WASHER 6MM
273	P0415273	CAP SCREW M8-1.25 X 30
274	P0415274	ON/OFF SWITCH NHD NLB22-D11WE
275	P0415275	EMERGENCY STOP SWITCH NHD NPB22-H11R
277	P0415277	COUPLING HUB
278	P0415278	SET SCREW M8-1.25 X 8
279	P0415279	FEED RATE DIAL
281	P0415281	CONTROL PANEL
282	P0415282	TAP SCREW M3 X 8
283	P0415283	DC DRIVER BOARD CHIU TING 491292-002
284	P0415284	FUSE 10A 250VAC
288	P0415288	CORD 24G 2W 12" CONTROL PANEL
289	P0415289	CORD 24G 4W 12" CONTROL PANEL
290	P0415290	LOCK NUT M10-1.5
291	P0415291	MAIN MOTOR 1.75HP 115V 1-PH
291-1	P0415291-1	S CAPACITOR 300M 125V 1-9/16 X 3-9/16
291-2	P0415291-2	R CAPACITOR 50M 300V 1-9/16 X 3-3/8
291-4	P0415291-4	CAPACITOR COVER
291-5	P0415291-5	CENT SWITCH 5/8 1350RPM
291-7	P0415291-7	CONTACT PLATE 24.8 X 37.5MM
291-9	P0415291-9	MOTOR FAN
291-10	P0415291-10	FAN COVER
291-11	P0415291-11	JUNCTION BOX
291-14	P0415291-14	WIRE NUT 22-10AWG
291-15	P0415291-15	STRAIN RELIEF PG16
291-16	P0415291-16	PHLP HD SCR 10-24 X 3/8
298	P0415298	KEY 8 X 7 X 18 RE
299	P0415299	FLAT WASHER 8MM
301	P0415301	BUTTON HD CAP SCR M4-.7 X 6
302	P0415302	FLAT WASHER 6MM
304	P0415304	PHLP HD SCR M5-.8 X 10
308	P0415308	FLAT WASHER 4MM



G0415 Base

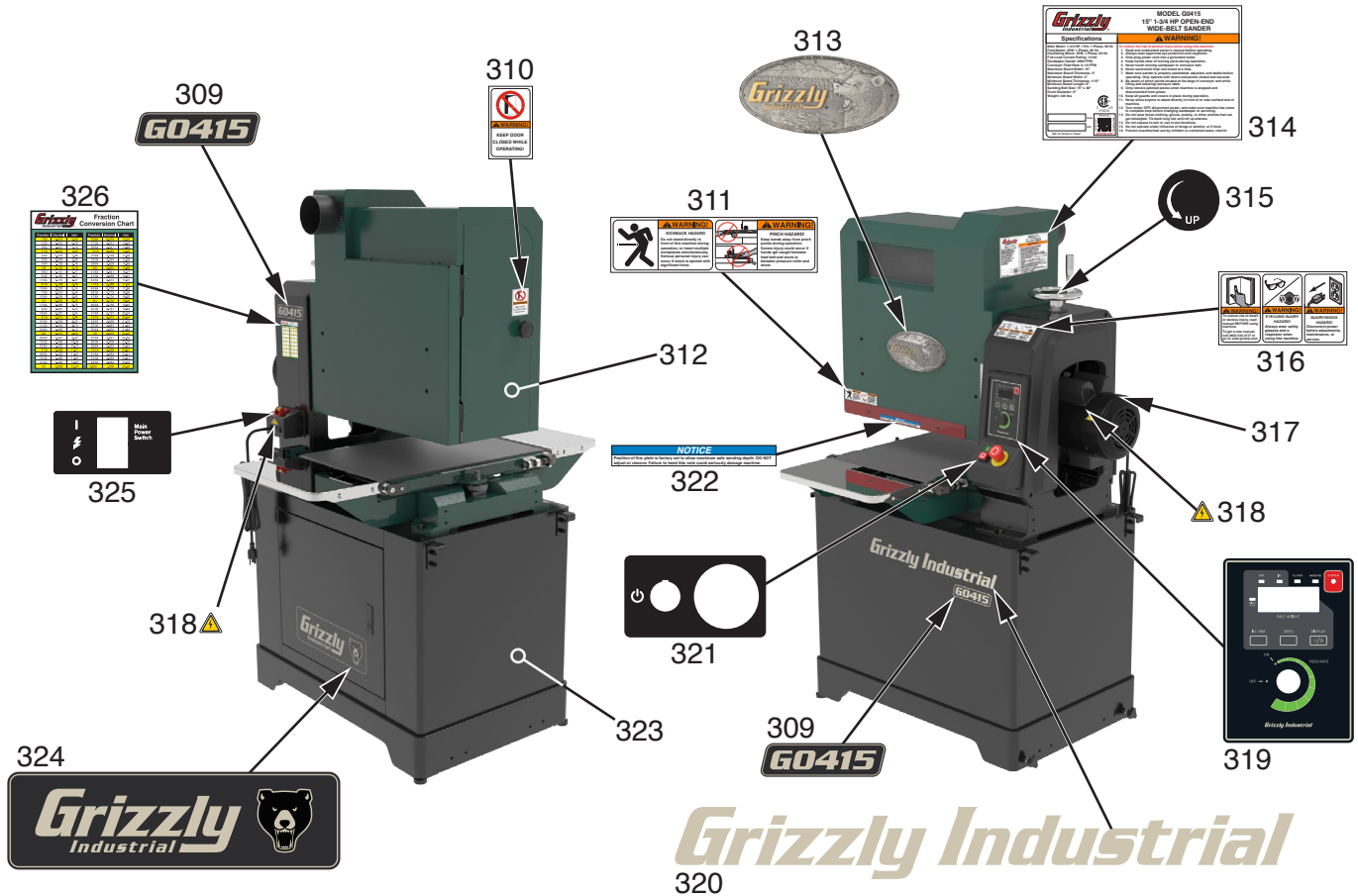


REF	PART #	DESCRIPTION
141	P0415141	LOCK NUT M10-1.5
191	P0415191	LIFTING HOOK
231	P0415231	DOOR LATCH
232	P0415232	CABINET DOOR
233	P0415233	CUSHION STRIP 16.5 X .5"
234	P0415234	CABINET

REF	PART #	DESCRIPTION
236	P0415236	WHEEL 10.4 X 75 X 33.5MM
237	P0415237	HEX BOLT M10-1.5 X 60
238	P0415238	FOOT M8-1.25 X 26
239	P0415239	KNOB BOLT M10-1.5 X 22
258	P0415258	CAP SCREW M8-1.25 X 20
261	P0415261	LOCK WASHER 8MM



G0415 Labels & Cosmetics



REF	PART #	DESCRIPTION
309	P0415309	MODEL NUMBER LABEL
310	P0415310	DOOR CLOSED LABEL
311	P0415311	COMBO HAZARD LABEL
312	P0415312	TOUCH-UP PAINT, GRIZZLY GREEN
313	P0415313	GRIZZLY NAMEPLATE
314	P0415314	MACHINE ID LABEL
315	P0415315	HANDWHEEL DIRECTION LABEL
316	P0415316	READ MANUAL COMBO LABEL
317	P0415317	MAIN MOTOR LABEL

REF	PART #	DESCRIPTION
318	P0415318	ELECTRICITY LABEL
319	P0415319	CONTROL PANEL LABEL
320	P0415320	GRIZZLY INDUSTRIAL LABEL
321	P0415321	ON/OFF SWITCH LABEL
322	P0415322	NOTICE SAFETY PLATE LABEL
323	P0415323	TOUCH-UP PAINT, GLOSSY BLACK
324	P0415324	GRIZZLY IND W/ BEAR HD LABEL
325	P0415325	REAR CONTROL BOX NAMEPLATE
326	P0415326	FRACTION CONVERSION LABEL

⚠️ WARNING

Safety labels help reduce the risk of serious injury caused by machine hazards. If any label comes off or becomes unreadable, the owner of this machine **MUST** replace it in the original location before resuming operations. For replacements, contact (800) 523-4777 or www.grizzly.com.

