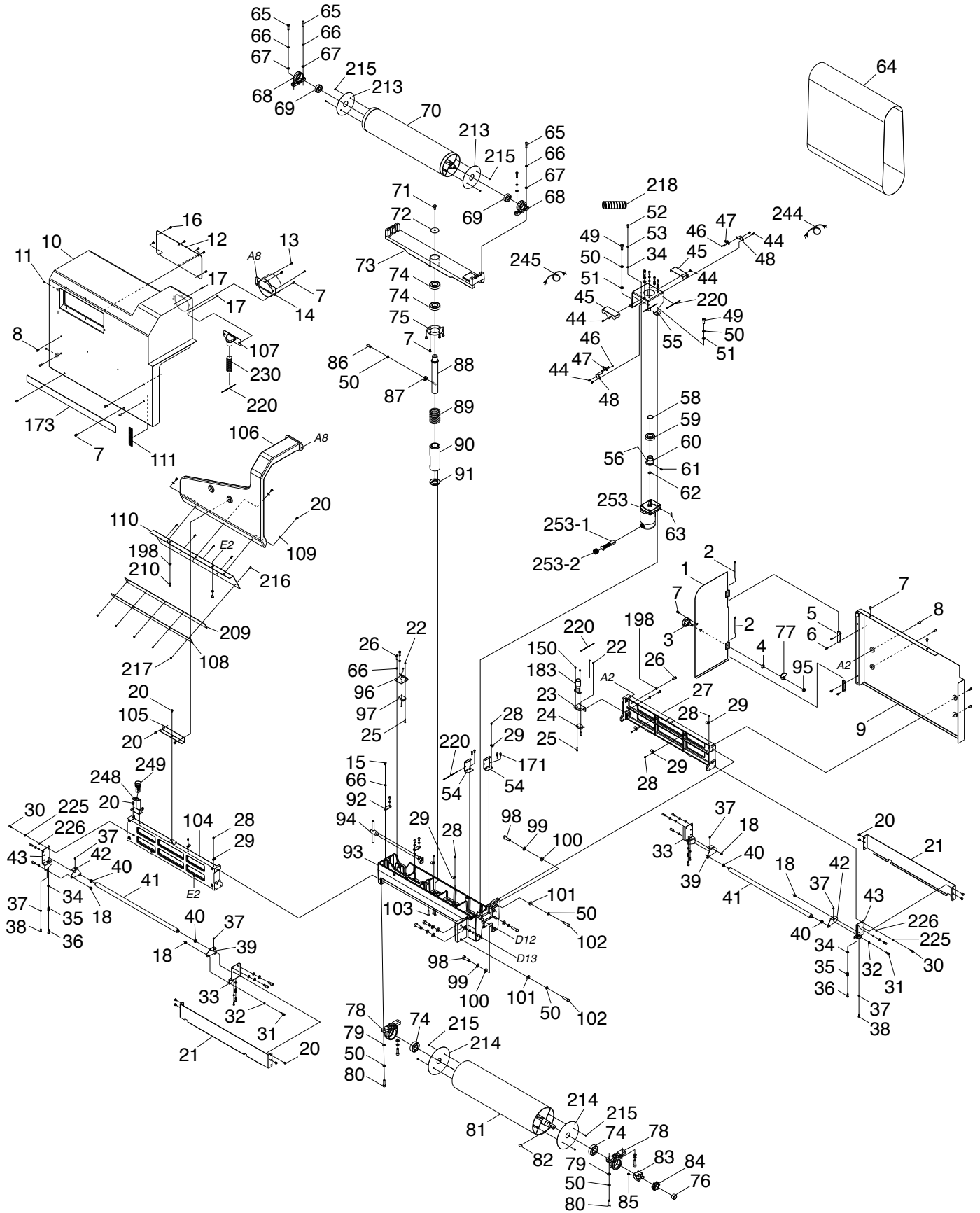


# G0416 Sanding Drums



# G0416 Sanding Drums Parts List

REF	PART #	DESCRIPTION
1	P0416001	MAINTENANCE DOOR
2	P0416002	HINGE PIN 5 X 100MM
3	P0416003	KNOB BOLT 3/8-16 X 25MM
4	P0416004	WAVY WASHER 14.5MM
5	P0416005	HINGE PLATE
6	P0416006	BUTTON HD CAP SCR M5-.8 X 10
7	P0416007	BUTTON HD CAP SCR M6-1 X 10
8	P0416008	BUTTON HD CAP SCR M6-1 X 14
9	P0416009	COVER, REAR
10	P0416010	COVER, UPPER
11	P0416011	MAGNET 6.1 X 4MM
12	P0416012	WINDOW PANEL 12.75 X 5.5"
13	P0416013	TAP SCREW M4 X 12
14	P0416014	DUST PORT 4"
15	P0416015	BUTTON HD CAP SCR M6-1 X 12
16	P0416016	BUTTON HD CAP SCR M5-.8 X 8
17	P0416017	TAP SCREW M4 X 10
18	P0416018	LOCK NUT M6-1
20	P0416020	BUTTON HD CAP SCR M6-1 X 8
21	P0416021	BRACKET COVER PLATE
22	P0416022	LOCK NUT M3-.5
23	P0416023	RECEIVER SENSOR BRACKET
24	P0416024	SENSOR RECEIVER OMRON E3Z-T61-D
25	P0416025	PHLP HD SCR M3-.5 X 20
26	P0416026	PHLP HD SCR M6-1 X 15
27	P0416027	PRESSURE ROLLER BRACKET, REAR
28	P0416028	PHLP HD SCR M4-.7 X 6
29	P0416029	CORD CLAMP 5MM
30	P0416030	CAP SCREW M6-1 X 16
31	P0416031	CAP SCREW M6-1 X 15
32	P0416032	FLAT WASHER 6MM
33	P0416033	PRESSURE ROLLER MOUNTING PLATE, FR/RL
34	P0416034	FLAT WASHER 5MM
35	P0416035	COMPRESSION SPRING 1.2 X 8.4 X 14
36	P0416036	SHOULDER SCREW M4-.7 X 7.7, 5 X 14.3
37	P0416037	HEX NUT M4-.7
38	P0416038	CAP SCREW M4-.7 X 12
39	P0416039	PRESSURE ROLLER PIVOT PLATE, FR/RL
40	P0416040	FLANGED BUSHING 8ID X 12OD X 7L
41	P0416041	TENSION ROLLER
42	P0416042	PRESSURE ROLLER PIVOT PLATE, FL/RR
43	P0416043	PRESSURE ROLLER MOUNT, FL/RR
44	P0416044	PHLP HD SCR M4-.7 X 8
45	P0416045	SPEED SENSOR COVER
46	P0416046	PHLP HD SCR M3-.5 X 4
47	P0416047	SPEED SENSOR MST MH253
48	P0416048	SPEED SENSOR BRACKET
49	P0416049	CAP SCREW M8-1.25 X 20
50	P0416050	LOCK WASHER 8MM

REF	PART #	DESCRIPTION
51	P0416051	FLAT WASHER 8MM
52	P0416052	CAP SCREW M5-.8 X 12
53	P0416053	LOCK WASHER 5MM
54	P0416054	HEADSTOCK BRACKET
55	P0416055	OSCILLATION MOTOR MOUNT
56	P0416056	MAGNET 4 X 4MM
58	P0416058	EXT RETAINING RING 25MM
59	P0416059	BALL BEARING 6005-2NSE
60	P0416060	ECCENTRIC MOTOR COUPLER
61	P0416061	SET SCREW M5-.8 X 12
62	P0416062	EXT RETAINING RING 12MM
63	P0416063	KEY 4 X 4 X 20
64	P0416064	SANDING BELT 16" X 48" 80-GRIT
65	P0416065	CAP SCREW M6-1 X 25
66	P0416066	LOCK WASHER 6MM
67	P0416067	FLAT WASHER 6MM
68	P0416068	BEARING BLOCK, UPPER
69	P0416069	BALL BEARING 6203-2NSE
70	P0416070	DRUM, UPPER
71	P0416071	HEX BOLT M8-1.25 X 16
72	P0416072	FLAT WASHER 8MM
73	P0416073	UPPER ROLLER BRACKET
74	P0416074	BALL BEARING 6205-2NSE
75	P0416075	BEARING CAP
76	P0416076	BUSHING 20 X 23.9 X 12MM
77	P0416077	DOOR LATCH
78	P0416078	BEARING BLOCK, LOWER
79	P0416079	FLAT WASHER 8.5 X 16 X 1.5MM
80	P0416080	CAP SCREW M8-1.25 X 30
81	P0416081	SANDING DRUM, LOWER
82	P0416082	KEY 8 X 7 X 16 RE
83	P0416083	COUPLING HUB
84	P0416084	SPIDER INSERT, RUBBER
85	P0416085	SET SCREW M8-1.25 X 8
86	P0416086	BUTTON HD CAP SCR M8-1.25 X 20
87	P0416087	BALL BEARING 608-ZZ
88	P0416088	CENTRAL SHAFT
89	P0416089	SPRING 5.5 X 40.5 X 60
90	P0416090	SUPPORT COLLUMN
91	P0416091	COLUMN END PLATE
92	P0416092	COLUMN PRESSURE PLATE
93	P0416093	CAM LEVER ASSEMBLY
94	P0416094	HEADSTOCK
95	P0416095	LOCK NUT M10-1.5
96	P0416096	SENSOR BRACKET
97	P0416097	SENSOR EMITTER OMRON E3Z-T61-L
98	P0416098	HEX BOLT M10-1.5 X 30
99	P0416099	LOCK WASHER 10MM
100	P0416100	FLAT WASHER 10MM



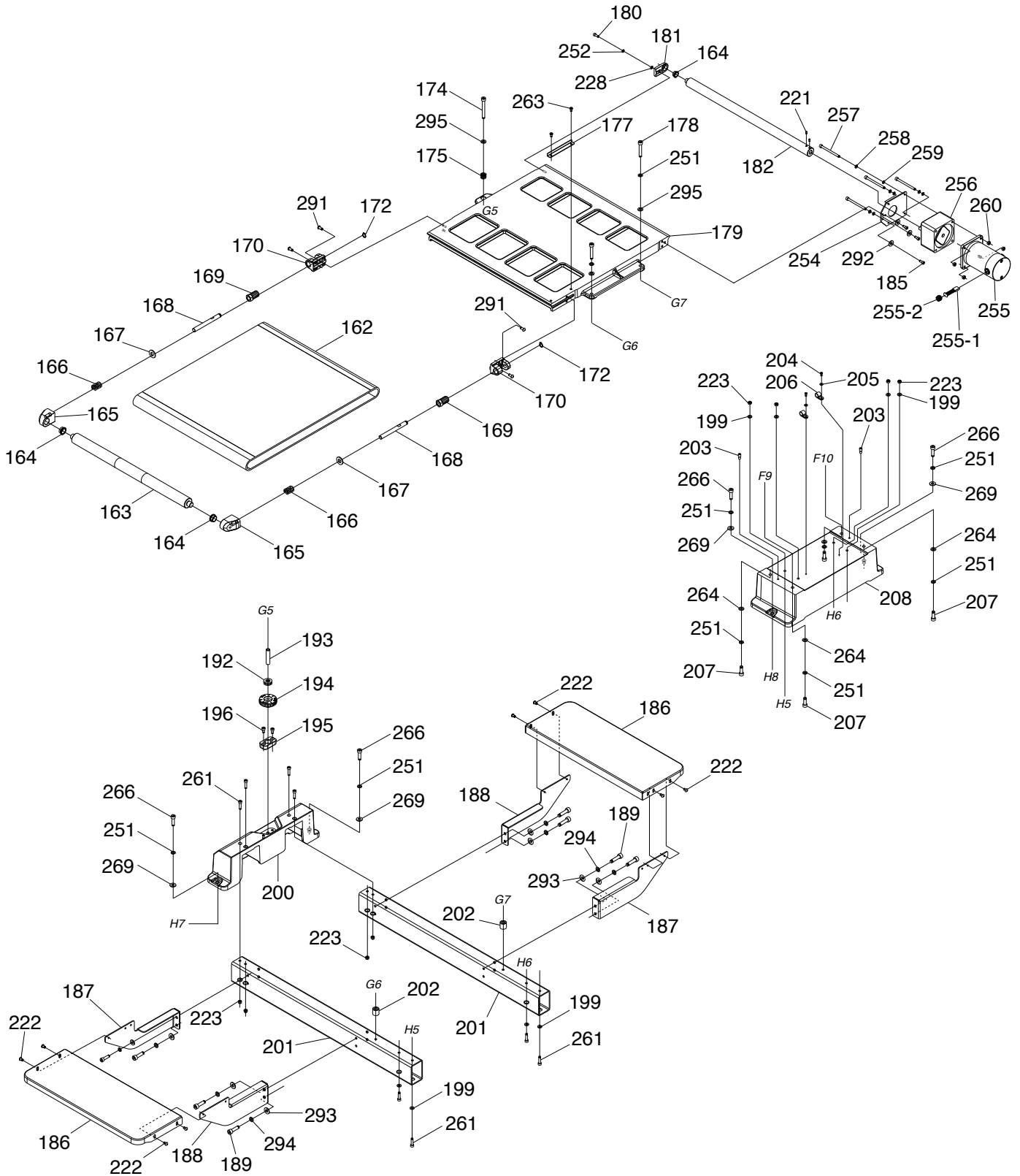
# G0416 Sanding Drums Parts List (Cont.)

101	P0416101	FLAT WASHER 8.5 X 19 X 2MM
102	P0416102	HEX BOLT M8-1.25 X 35
103	P0416103	CAP SCREW M5-.8 X 25
104	P0416104	PRESSURE ROLLER BRACKET, FRONT
105	P0416105	MOUNTING BRACKET
106	P0416106	DUST SCOOP
107	P0416107	AUX DUST COLLECTOR, UPPER
108	P0416108	PRESSURE BAR
109	P0416109	FLAT WASHER 6.4 X 16 X 1MM
110	P0416110	CHIP BREAKER
111	P0416111	SCALE
150	P0416150	BUTTON HD CAP SCR M4-.7 X 6
171	P0416171	BUTTON HD CAP SCR M5-.8 X 12
173	P0416173	LIMITER PLATE
183	P0416183	AUXILIARY DUST PORT, LOWER
198	P0416198	FLAT WASHER 6MM
209	P0416209	RUBBER PAD 22.2 X 1.6 X 0.06"
210	P0416210	PHLP HD SCR M6-1 X 10

213	P0416213	UPPER DRUM END COVER
214	P0416214	LOWER DRUM END COVER
215	P0416215	BUTTON HD CAP SCR M4-.7 X 6
216	P0416216	BUTTON HD CAP SCR M4-.7 X 10
217	P0416217	LOCK NUT M4-.7
218	P0416218	CONDUIT 350MM
220	P0416220	CABLE TIE 104MM
225	P0416225	LOCK WASHER 6MM
226	P0416226	FLAT WASHER 6MM
230	P0416230	DUST HOSE 1" X 33.8"
244	P0416244	CORD 24G 3W 33" P7
245	P0416245	CORD 24G 3W 35" P8
248	P0416248	LIGHT BRACKET
249	P0416249	LED LIGHT, WHITE
253	P0416253	MOTOR 1/30HP 200V DC 1-PH
253-1	P0416253-1	MOTOR BRUSH
253-2	P0416253-2	BRUSH CAP



# G0416 Feed Table



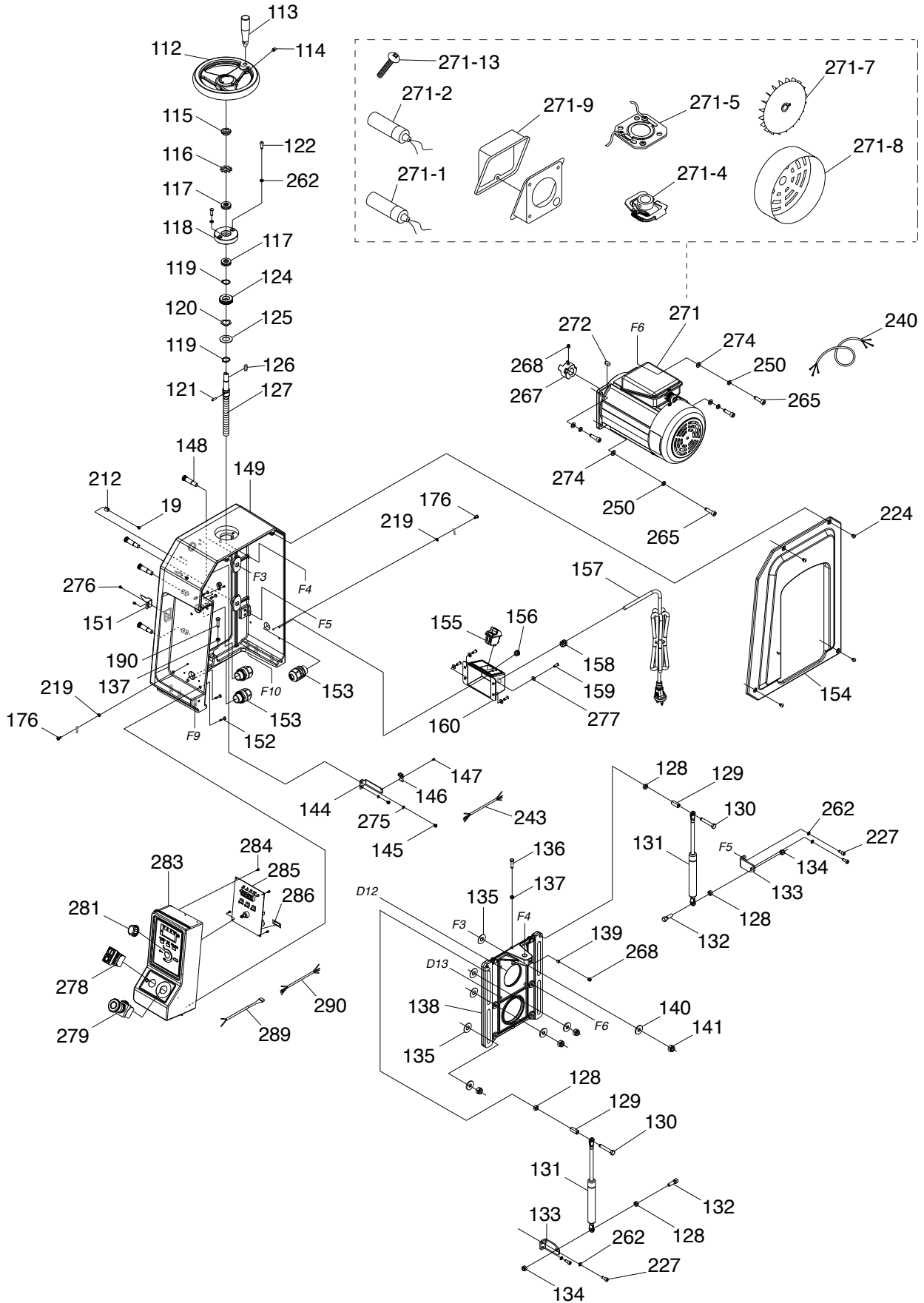
# G0416 Feed Table Parts List

REF	PART #	DESCRIPTION
162	P0416162	RUBBER BELT
163	P0416163	FEED BELT ROLLER, FRONT
164	P0416164	BUSHING 14ID X 17OD X 6L
165	P0416165	TENSION ROLLER BLOCK
166	P0416166	COMPRESSION SPRING 2.4 X 16.2 X 22MM
167	P0416167	FLAT WASHER 10MM
168	P0416168	SHAFT
169	P0416169	ADJUST BOLT M16-2 X 24
170	P0416170	BRACKET
172	P0416172	EXT. RETAINING RING 10MM
174	P0416174	CAP SCREW M8-1.25 X 70
175	P0416175	COMPRESSION SPRING 1.6 X 16.6 X 14MM
177	P0416177	GUIDE RAIL
178	P0416178	CAP SCREW M8-1.25 X 50
179	P0416179	BASE PLATE
180	P0416180	CAP SCREW M5-.8 X 15
181	P0416181	FIXED ROLLER BLOCK
182	P0416182	FEED BELT ROLLER, REAR
185	P0416185	CAP SCREW M5-.8 X 12
186	P0416186	EXTENSION TABLE
187	P0416187	TABLE BRACKET, LEFT
188	P0416188	TABLE BRACKET, RIGHT
189	P0416189	CAP SCREW M8-1.25 X 20
192	P0416192	THRUST BEARING 51101
193	P0416193	BUSHING 8.2ID X 11.9OD X 54L
194	P0416194	LEVELING DIAL
195	P0416195	ELEVATION BRACKET
196	P0416196	CAP SCREW M6-1 X 12
199	P0416199	FLAT WASHER 6MM
200	P0416200	BASE
201	P0416201	BASE CONNECTING PIPE
202	P0416202	BUSHING 9ID X 20OD X 21.5L

REF	PART #	DESCRIPTION
203	P0416203	SHOULDER BOLT M6-1 X 10, 7.95 X 9MM
204	P0416204	PHLP HD SCR M4-.7 X 10
205	P0416205	FLAT WASHER 4MM
206	P0416206	CORD CLAMP 19MM
207	P0416207	CAP SCREW M8-1.25 X 25
208	P0416208	SWEEP 17 X 7 X 4.3" RUBBER
221	P0416221	SET SCREW M4-.7 X 8
222	P0416222	BUTTON HD CAP SCR M6-1 X10
223	P0416223	LOCK NUT M6-1
228	P0416228	FLAT WASHER 5MM
251	P0416251	LOCK WASHER 8MM
252	P0416252	LOCK WASHER 5MM
254	P0416254	MOTOR PLATE
255	P0416255	MOTOR 1/30HP 180V DC 1-PH
255-1	P0416255-1	MOTOR BRUSH
255-2	P0416255-2	BRUSH CAP
256	P0416256	GEAR BOX
257	P0416257	CAP SCREW M6-1 X 80
258	P0416258	LOCK WASHER 6MM
259	P0416259	FLAT WASHER 6MM
260	P0416260	HEX NUT M6-1
261	P0416261	CAP SCREW M6-1 X 25
263	P0416263	PHLP HD SCR M5-.8 X 10
264	P0416264	FLAT WASHER 8.5 X 16 X 1.5MM
266	P0416266	CAP SCREW M8-1.25 X 30
269	P0416269	FLAT WASHER 8.5 X 19 X 2MM
291	P0416291	BUTTON HD CAP SCR M5-.8 X 12
292	P0416292	LOCK WASHER 5MM
293	P0416293	FLAT WASHERS 8MM
294	P0416294	LOCK WASHER 8 MM
295	P0416295	FLAT WASHER 8 X 16 X 2MM



# G0416 Main Motor & Control Panel



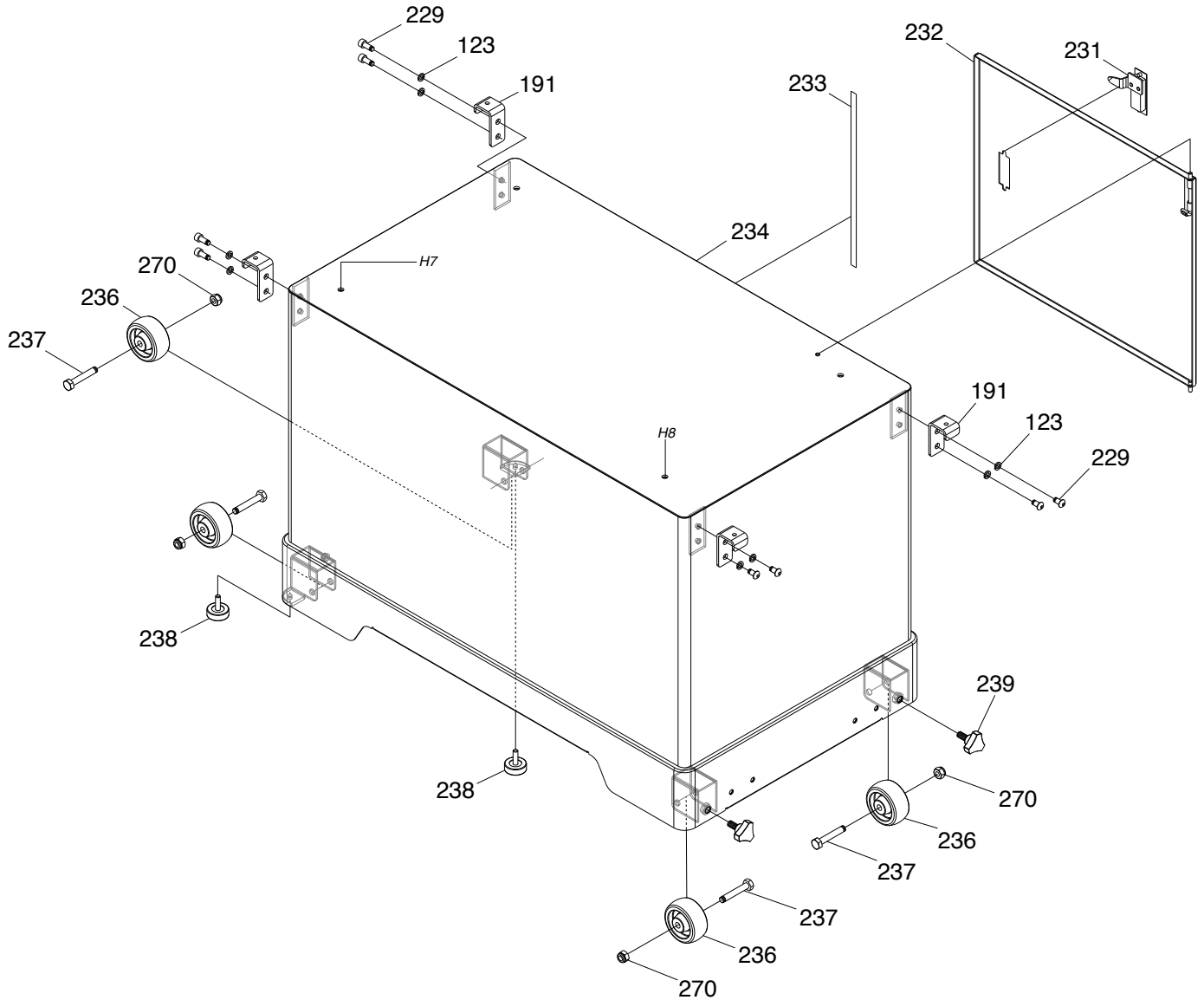
# G0416 Main Motor & Control Panel Parts List

REF	PART #	DESCRIPTION
19	P0416019	PHLP HD SCR M4-.7 X 8
112	P0416112	HANDWHEEL 7.75D X M10-1.5
113	P0416113	FIXED HANDLE M10-1.5 X 10
114	P0416114	SET SCREW M8-1.25 X 10
115	P0416115	SPANNER NUT M15-1
116	P0416116	EXT TOOTH WASHER 15MM
117	P0416117	THRUST BEARING 51102
118	P0416118	LEADSCREW NUT FLANGE
119	P0416119	EXT RETAINING RING 10MM
120	P0416120	WAVY WASHER 20MM
121	P0416121	ROLL PIN 4 X 16
122	P0416122	BUTTON HD CAP SCR M6-1 X 20
124	P0416124	MAGNETIC SPACER 20.1 X 38 X 10MM
125	P0416125	FLAT WASHER 21 X 37 X 1MM
126	P0416126	KEY 6 X 6 X 20
127	P0416127	ELEVATION LEADSCREW 5/8-12 X 9"
128	P0416128	HEX NUT M8-1.25
129	P0416129	SPACER 12OD X 8.2ID X 25MM
130	P0416130	HEX BOLT M8-1.25 X 50
131	P0416131	GAS SPRING W/EYELET FITTING
132	P0416132	HEX BOLT M8-1.25 X 20
133	P0416133	STRUT BRACKET
134	P0416134	LOCK NUT M8-1.25
135	P0416135	FLAT WASHER 12.2 X 28 X 1MM, BRASS
136	P0416136	HEX BOLT M6-1 X 20
137	P0416137	HEX NUT M6-1
138	P0416138	MOTOR BRACKET
139	P0416139	THREADED INSERT 6.7 X 8, POLYURETHANE
140	P0416140	FENDER WASHER 10.5 X 28 X 3MM
141	P0416141	LOCK NUT M10-1.5
144	P0416144	HEIGHT SENSOR BRACKET
145	P0416145	PHLP HD SCR M4-.7 X 8
146	P0416146	HEIGHT SENSOR PROLIFIC PT3601A
147	P0416147	PHLP HD SCR M3-.5 X 6
148	P0416148	SHOULDER BOLT M10-1.5 X 18, 12 X 33
149	P0416149	ELEVATION HOUSING
151	P0416151	POINTER
152	P0416152	TAP SCREW M4 X 20
153	P0416153	STRAIN RELIEF 1/2"
154	P0416154	CONTROL ACCESS PANEL
155	P0416155	POWER SWITCH KEDU HY7

REF	PART #	DESCRIPTION
156	P0416156	STRAIN RELIEF 1/2"
157	P0416157	POWER CORD 14G 3W 102" 6-15P
158	P0416158	STRAIN RELIEF 5/8"
159	P0416159	PHLP HD SCR M6-1 X 10
160	P0416160	POWER SWITCH JUNCTION BOX
176	P0416176	PHLP HD SCR M5-.8 X 10
190	P0416190	HEX BOLT M6-1 X 30
212	P0416212	CORD CLAMP 5/8"
219	P0416219	EXT TOOTH WASHER 5MM
224	P0416224	BUTTON HD CAP SCR M6-1 X 8
227	P0416227	CAP SCREW M6-1 X 15
240	P0416240	MAIN MOTOR CORD 14G 3W 35"
243	P0416243	CORD 24G 4W 26" P4
250	P0416250	LOCK WASHER 8MM
262	P0416262	LOCK WASHER 6MM
265	P0416265	CAP SCREW M8-1.25 X 30
267	P0416267	COUPLING HUB
268	P0416268	SET SCREW M8-1.25 X 8
271	P0416271	MAIN MOTOR 3HP 220V 1-PH
271-1	P0416271-1	S CAPACITOR 400M 125V 1-9/16 X 3-9/16
271-2	P0416271-2	R CAPACITOR 50M 350V 1-3/4 X 3-3/8
271-4	P0416271-4	CENTRIFUGAL SWITCH
271-5	P0416271-5	CONTACT PLATE
271-7	P0416271-7	MOTOR FAN
271-8	P0416271-8	MOTOR FAN COVER
271-9	P0416271-9	JUNCTION BOX
271-13	P0416271-13	PHLP HD SCR 10-24 X 3/8
272	P0416272	KEY 8 X 7 X 18
274	P0416274	FLAT WASHER 8.5MM
275	P0416275	FLAT WASHER 4MM
276	P0416276	BUTTON HD CAP SCR M4-.7 X 6
277	P0416277	FLAT WASHER 6MM
278	P0416278	ON/OFF SWITCH NLB22-D11WI
279	P0416279	EMERGENCY STOP SWITCH NPB22-H11R
281	P0416281	FEED RATE DIAL
283	P0416283	CONTROL PANEL
284	P0416284	TAP SCREW M3 X 8
285	P0416285	DC DRIVER BOARD CHIU TING 491292-002
286	P0416286	FUSE 10A 250V
289	P0416289	CORD 24G 2W 12" CONTROL PANEL
290	P0416290	CORD 24G 4W 12" CONTROL PANEL



# G0416 Base

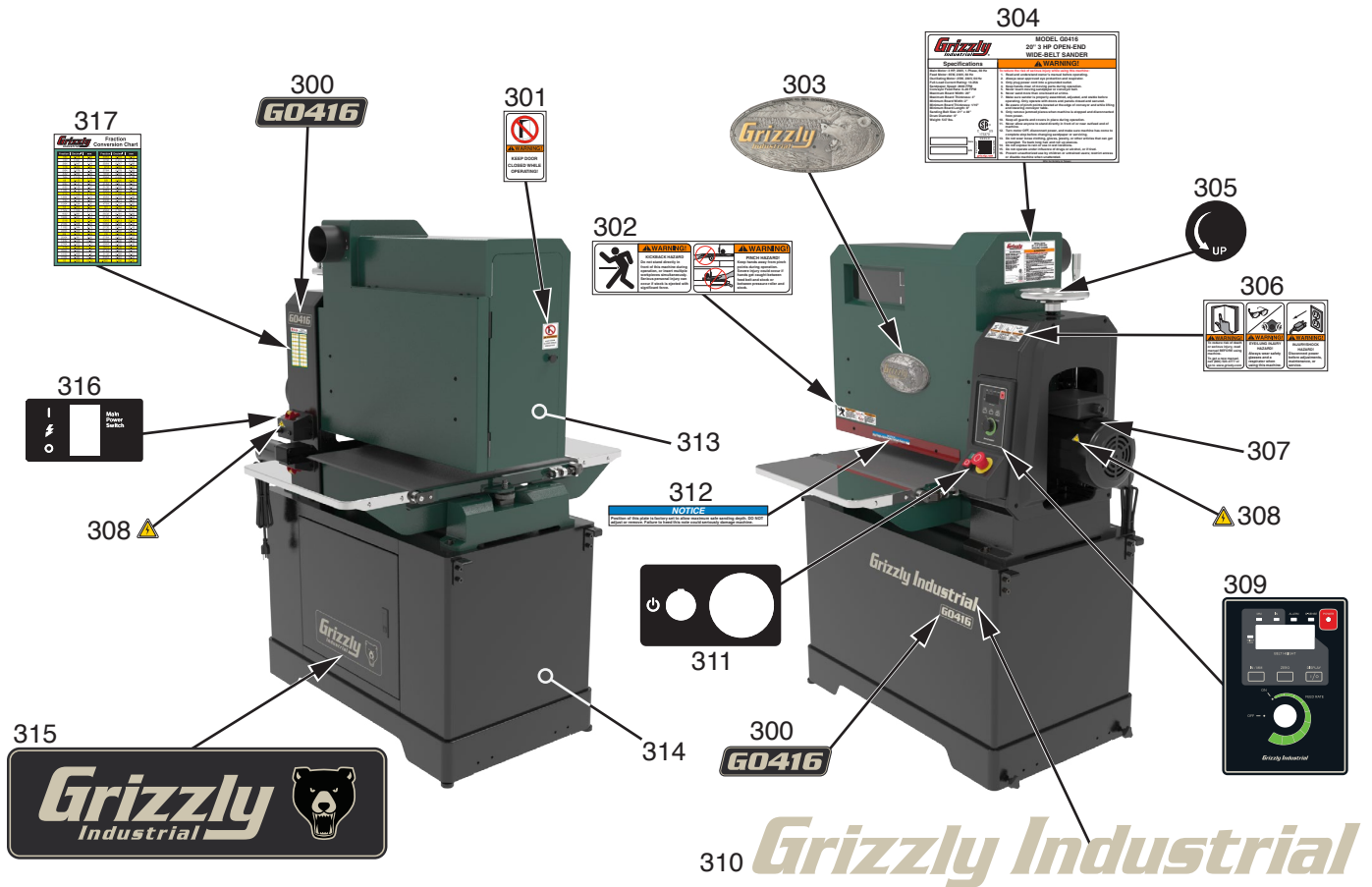


REF	PART #	DESCRIPTION
123	P0416123	LOCK WASHER 8MM
191	P0416191	LIFTING HOOK
229	P0416229	CAP SCREW M8-1.25 X 20
231	P0416231	DOOR LATCH
232	P0416232	CABINET DOOR
233	P0416233	CUSHION STRIP 16.5 X .5"

REF	PART #	DESCRIPTION
234	P0416234	CABINET
236	P0416236	WHEEL 10.4 X 75 X 33.5MM
237	P0416237	HEX BOLT M10-1.5 X 60
238	P0416238	ADJUSTABLE FOOT M8-1.25 X 26
239	P0416239	KNOB BOLT M10-1.5 X 22
270	P0416270	LOCK NUT M10-1.5



# G0416 Labels & Cosmetics



REF	PART #	DESCRIPTION
300	P0416300	MODEL NUMBER LABEL
301	P0416301	DOOR CLOSED LABEL
302	P0416302	COMBO HAZARD LABEL
303	P0416303	GRIZZLY NAMEPLATE
304	P0416304	MACHINE ID LABEL
305	P0416305	HANDWHEEL DIRECTION LABEL
306	P0416306	COMBO READ MANUAL LABEL
307	P0416307	MOTOR LABEL
308	P0416308	ELECTRICITY LABEL

REF	PART #	DESCRIPTION
309	P0416309	CONTROL PANEL LABEL
310	P0416310	GRIZZLY INDUSTRIAL LABEL
311	P0416311	ON/OFF SWITCH LABEL
312	P0416312	NOTICE SAFETY PLATE LABEL
313	P0416313	TOUCH-UP PAINT, GRIZZLY GREEN
314	P0416314	TOUCH-UP PAINT, GLOSSY BLACK
315	P0416315	GRIZZLY IND W/ BEAR HD LABEL
316	P0416316	REAR CONTROL BOX NAMEPLATE
317	P0416317	FRACTION CONVERSION LABEL

## ⚠ WARNING

Safety labels help reduce the risk of serious injury caused by machine hazards. If any label comes off or becomes unreadable, the owner of this machine **MUST** replace it in the original location before resuming operations. For replacements, contact (800) 523-4777 or [www.grizzly.com](http://www.grizzly.com).

