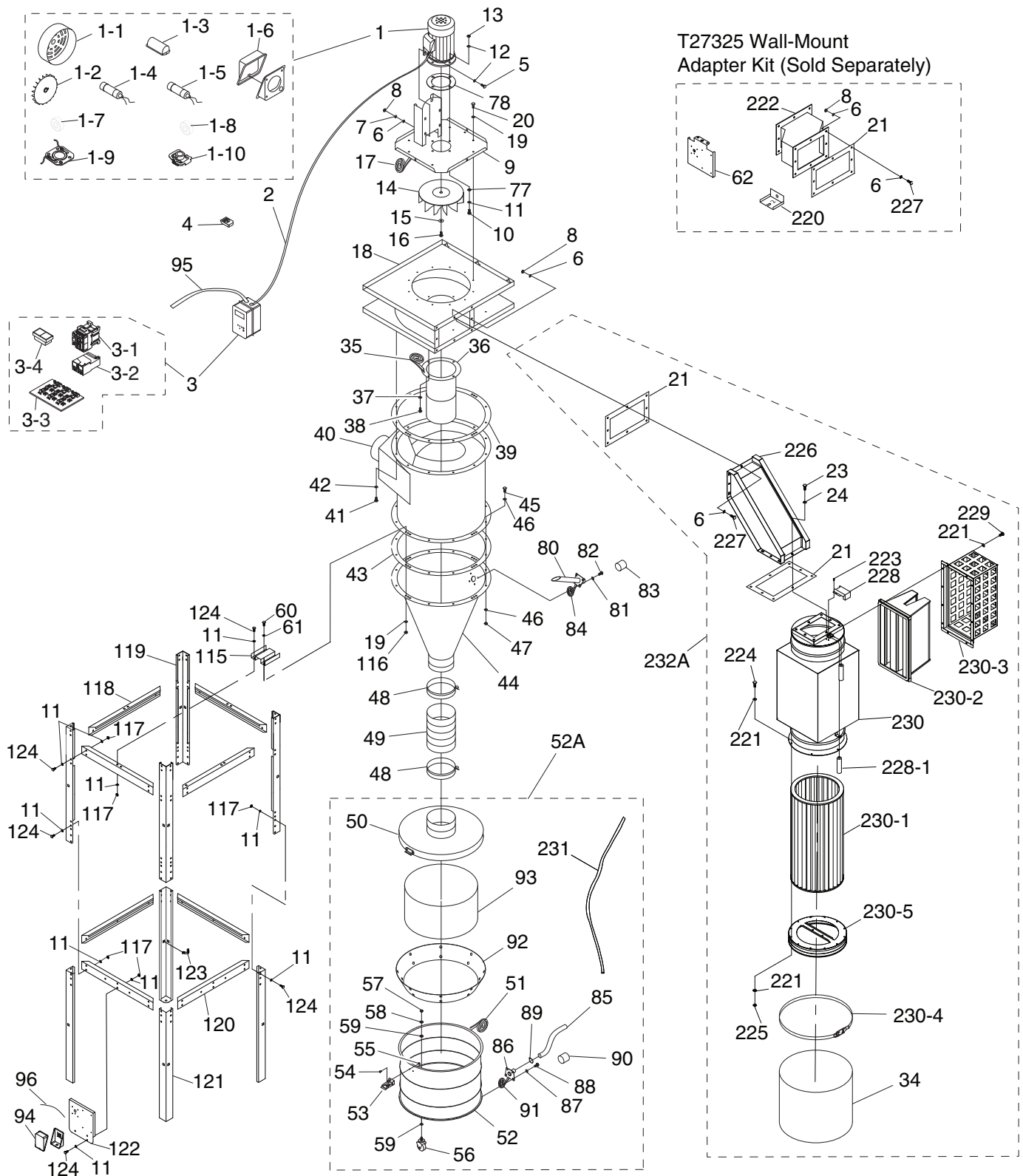


# Main



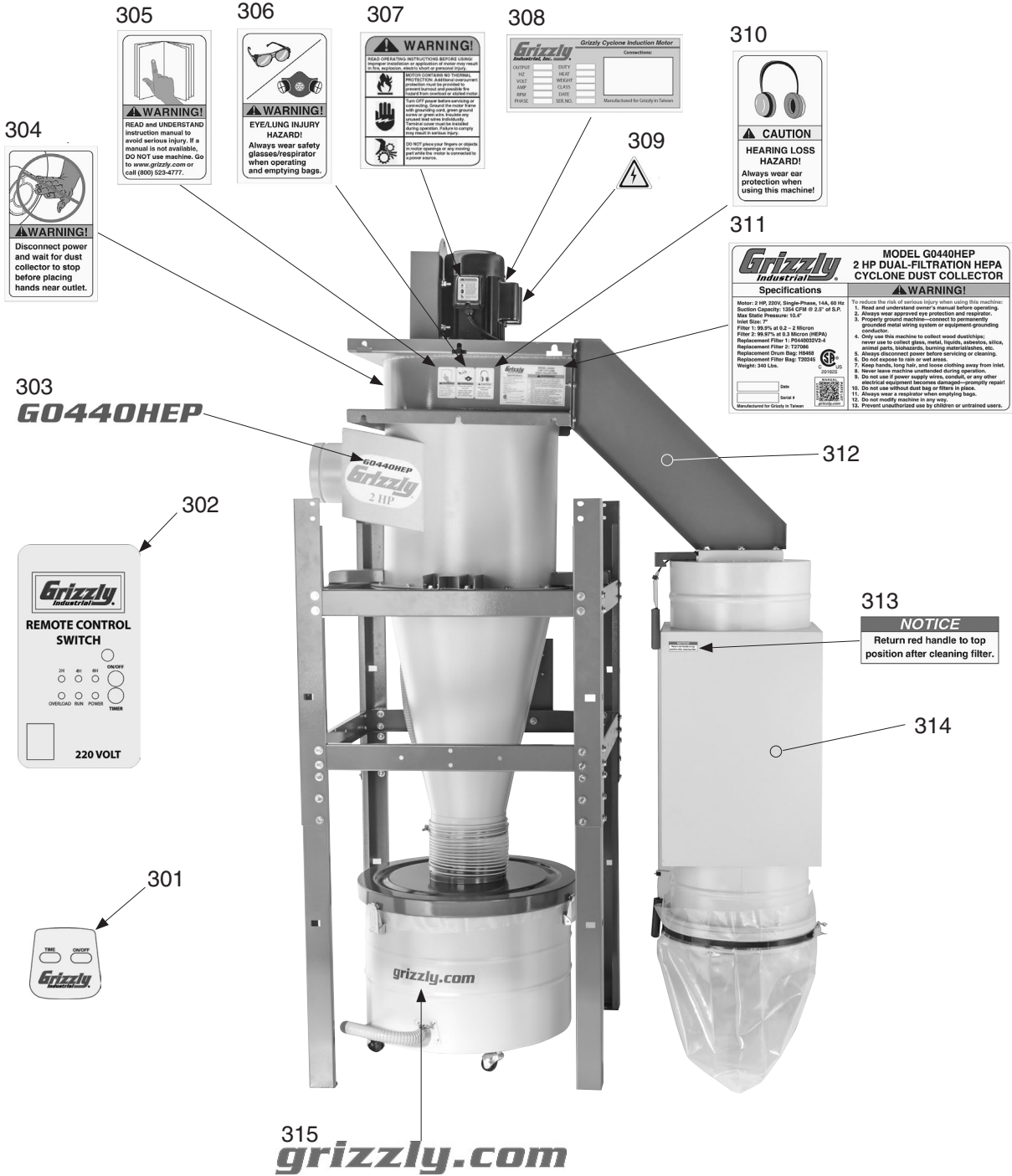
# Main Parts List

REF	PART #	DESCRIPTION
1	P0440HEP001	MOTOR 2HP 220V 1-PH
1-1	P0440HEP001-1	MOTOR FAN COVER
1-2	P0440HEP001-2	MOTOR FAN
1-3	P0440HEP001-3	CAPACITOR COVER
1-4	P0440HEP001-4	S CAPACITOR 300M 125V 1-3/4 X 3-3/8
1-5	P0440HEP001-5	R CAPACITOR 50M 250V 1-5/8 X 3-1/2
1-6	P0440HEP001-6	JUNCTION BOX
1-7	P0440HEP001-7	BALL BEARING 6205ZZ
1-8	P0440HEP001-8	BALL BEARING 6203ZZ
1-9	P0440HEP001-9	CONTACT PLATE
1-10	P0440HEP001-10	CENTRIFUGAL SWITCH 3450
2	P0440HEP002	MOTOR CORD 12G 3C
3	P0440HEP003	REMOTE MAG SWITCH 220V
3-1	P0440HEP003-1	CONTACTOR NHD C-12D 220V
3-2	P0440HEP003-2	OL RELAY NHD NTH-14 11-14A
3-3	P0440HEP003-3	CIRCUIT BOARD 220V W/TRANSFORMER
3-4	P0440HEP003-4	ON/OFF SWITCH 110V/220V
4	P0440HEP004	REMOTE CONTROLLER
5	P0440HEP005	HEX BOLT 3/8-16 X 1-1/2
6	P0440HEP006	FLAT WASHER 3/8
7	P0440HEP007	LOCK WASHER 3/8
8	P0440HEP008	HEX NUT 3/8-16
9	P0440HEP009	BLOWER COVER
10	P0440HEP010	HEX BOLT 3/8-16 X 1
11	P0440HEP011	FENDER WASHER 3/8
12	P0440HEP012	LOCK WASHER 3/8
13	P0440HEP013	HEX NUT 3/8-16
14	P0440HEP014	IMPELLER 14-1/2"
15	P0440HEP015	IMPELLER FENDER WASHER 3/8
16	P0440HEP016	HEX BOLT 3/8-16 X 1 LH
17	P0440HEP017	FOAM TAPE 3 X 6 X 1600MM
18	P0440HEP018	BLOWER HOUSING
19	P0440HEP019	FLAT WASHER 5/16
20	P0440HEP020	HEX BOLT 5/16-18 X 3/4
21	P0440HEP021	OUTLET GASKET 306 X 226MM
23	P0440HEP023	HEX BOLT 5/16-18 X 1
24	P0440HEP024	FLAT WASHER 5/16
34	P0440HEP034	PLASTIC BAG 470 X 600MM
35	P0440HEP035	FOAM TAPE 3 X 6 X 1600MM
36	P0440HEP036	INTAKE CYLINDER 10"
37	P0440HEP037	FLAT WASHER 5/16
38	P0440HEP038	HEX BOLT 5/16-18 X 3/4
39	P0440HEP039	BARREL GASKET 584MM DIA.
40	P0440HEP040	INTAKE BARREL 20"
41	P0440HEP041	HEX BOLT 5/16-18 X 3/4
42	P0440HEP042	FLAT WASHER 5/16
43	P0440HEP043	BARREL GASKET 584MM DIA.
44	P0440HEP044	CYCLONE FUNNEL 20"
45	P0440HEP045	HEX BOLT 5/16-18 X 1
46	P0440HEP046	FLAT WASHER 5/16
47	P0440HEP047	HEX NUT 5/16-18
48	P0440HEP048	HOSE CLAMP 9"
49	P0440HEP049	CLEAR FLEX PIPE 9" X 200MM
50	P0440HEP050	COLLECTION DRUM LID
51	P0440HEP051	DRUM SEAL TYPE-T 2.1M
52A	P0440HEP052A	COLLECTION DRUM ASSY 35GAL
52	P0440HEP052	COLLECTION DRUM 35GAL
53	P0440HEP053	DRUM LID LATCH ASSEMBLY

REF	PART #	DESCRIPTION
54	P0440HEP054	PHLP HD SCR 10-24 X 3/8
55	P0440HEP055	HEX NUT 10-24
56	P0440HEP056	CASTER 2"
57	P0440HEP057	HEX NUT 3/8-16
58	P0440HEP058	LOCK WASHER 3/8
59	P0440HEP059	FLAT WASHER 3/8
60	P0440HEP060	HEX BOLT 5/16-18 X 1
61	P0440HEP061	FLAT WASHER 5/16
62	P0440HEP062	SWITCH MOUNTING BRACKET
77	P0440HEP077	EXT TOOTH WASHER 3/8
78	P0440HEP078	MOTOR MOUNT GASKET
80	P0440HEP080	CYCLONE VACUUM TUBE
81	P0440HEP081	FLAT WASHER 5/16
82	P0440HEP082	HEX BOLT 5/16-18 X 3/4
83	P0440HEP083	TUBE PLUG 1-1/4"
84	P0440HEP084	FOAM TAPE 3 X 6 X 300MM
85	P0440HEP085	VACUUM HOSE 1-1/4" X 98"
86	P0440HEP086	COLLECTION DRUM VACUUM TUBE
87	P0440HEP087	FLAT WASHER 5/16
88	P0440HEP088	HEX BOLT 5/16-18 X 3/4
89	P0440HEP089	HOSE CLAMP 1-1/4"
90	P0440HEP090	TUBE PLUG 1-1/4"
91	P0440HEP091	FOAM TAPE 3 X 6 X 300MM
92	P0440HEP092	COLLECTION DRUM VACUUM RING
93	P0440HEP093	DRUM COLLECTION BAG 640 X 1000MM
94	P0440HEP094	JUNCTION BOX
95	P0440HEP095	JUNCTION BOX CORD 12G 3C 12"
96	P0440HEP096	GROUNDING WIRE 12G 6" (GREEN)
115	P0440HEP115	MOUNTING BRACKET
116	P0440HEP116	LOCK NUT 5/16-18
117	P0440HEP117	LOCK NUT 3/8-16
118	P0440HEP118	UPPER STAND BRACE
119	P0440HEP119	UPPER STAND LEG
120	P0440HEP120	LOWER STAND BRACE
121	P0440HEP121	LOWER STAND LEG
122	P0440HEP122	STAND SWITCH BRACKET
123	P0440HEP123	VACUUM HOSE CLIP 2-1/2"
124	P0440HEP124	HEX BOLT 3/8-16 X 3/4
220	P0440HEP220	INTAKE BARREL BRACE, EXTENDED
221	P0440HEP221	FLAT WASHER 1/4
222	P0440HEP222	WALL MOUNT ADAPTER
223	P0440HEP223	TAP SCREW M4 X 12
224	P0440HEP224	PHLP HD SCR 1/4-20 X 3/4
225	P0440HEP225	HEX NUT 1/4-20
226	P0440HEP226	FILTER ADAPTER
227	P0440HEP227	HEX BOLT 3/8-16 X 1
228	P0440HEP228	PULL WIRE RAIL COVER
228-1	P0440HEP228-1	PULL WIRE
229	P0440HEP229	HEX BOLT 1/4-20 X 3/4
230	P0440HEP230	HEPA FILTER HOUSING
230-1	P0440HEP230-1	HEPA OUTER FILTER
230-2	P0440HEP230-2	HEPA FILTER 289 X 595 X 292MM
230-3	P0440HEP230-3	HEPA FILTER CAGE 289 X 595, GREEN
230-4	P0440HEP230-4	BAG CLAMP 445MM
230-5	P0440HEP230-5	HEPA FILTER BOTTOM PLATE
231	P0440HEP231	DRUM LID PVC RUBBER SEAL 2M
232A	P0440HEP232A	HEPA FILTER KIT



# G0440HEP Labels & Cosmetics



REF	PART #	DESCRIPTION
301	P0440HEP301	REMOTE CONTROL LABEL
302	P0440HEP302	CONTROL PANEL LABEL
303	P0440HEP303	MODEL NUMBER LABEL
304	P0440HEP304	HANDS/DUST COLLECTOR OUTLET LABEL
305	P0440HEP305	READ MANUAL LABEL 2W X 3.3H
306	P0440HEP306	GLASSES/RESPIRATOR DC LABEL
307	P0440HEP307	MOTOR WARNING LABEL
308	P0440HEP308	MOTOR SPEC LABEL

REF	PART #	DESCRIPTION
309	P0440HEP309	ELECTRICITY LABEL 1.4W X 1.2H
310	P0440HEP310	EAR PROTECTION LABEL 1.5W X 2.5H
311	P0440HEP311	MACHINE ID LABEL CSA
312	P0440HEP312	GRIZZLY GREEN TOUCH-UP PAINT
313	P0440HEP313	RETURN RED HANDLE LABEL
314	P0440HEP314	GRIZZLY PUTTY TOUCH-UP PAINT
315	P0440HEP315	GRIZZLY.COM LABEL

