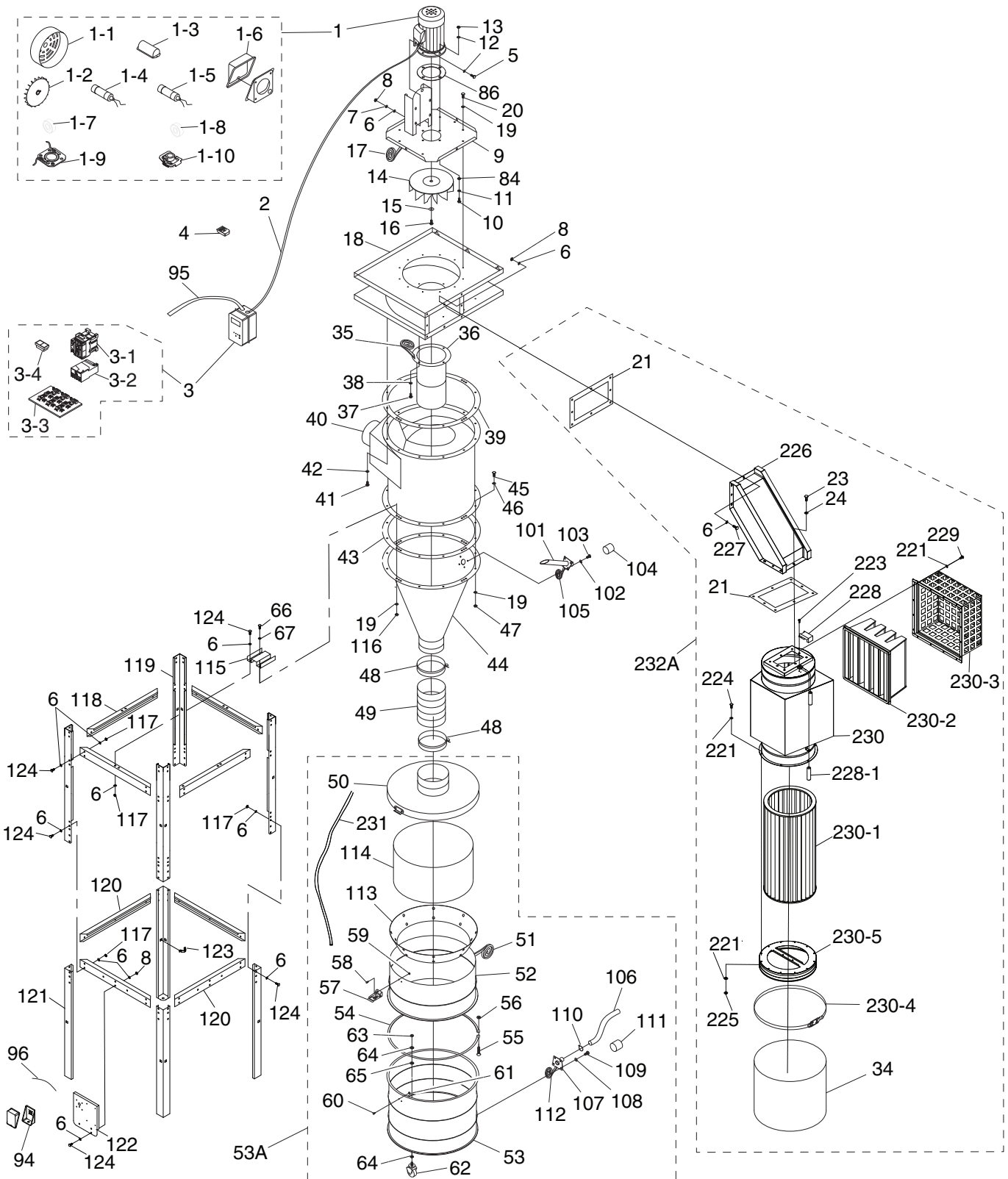


Main



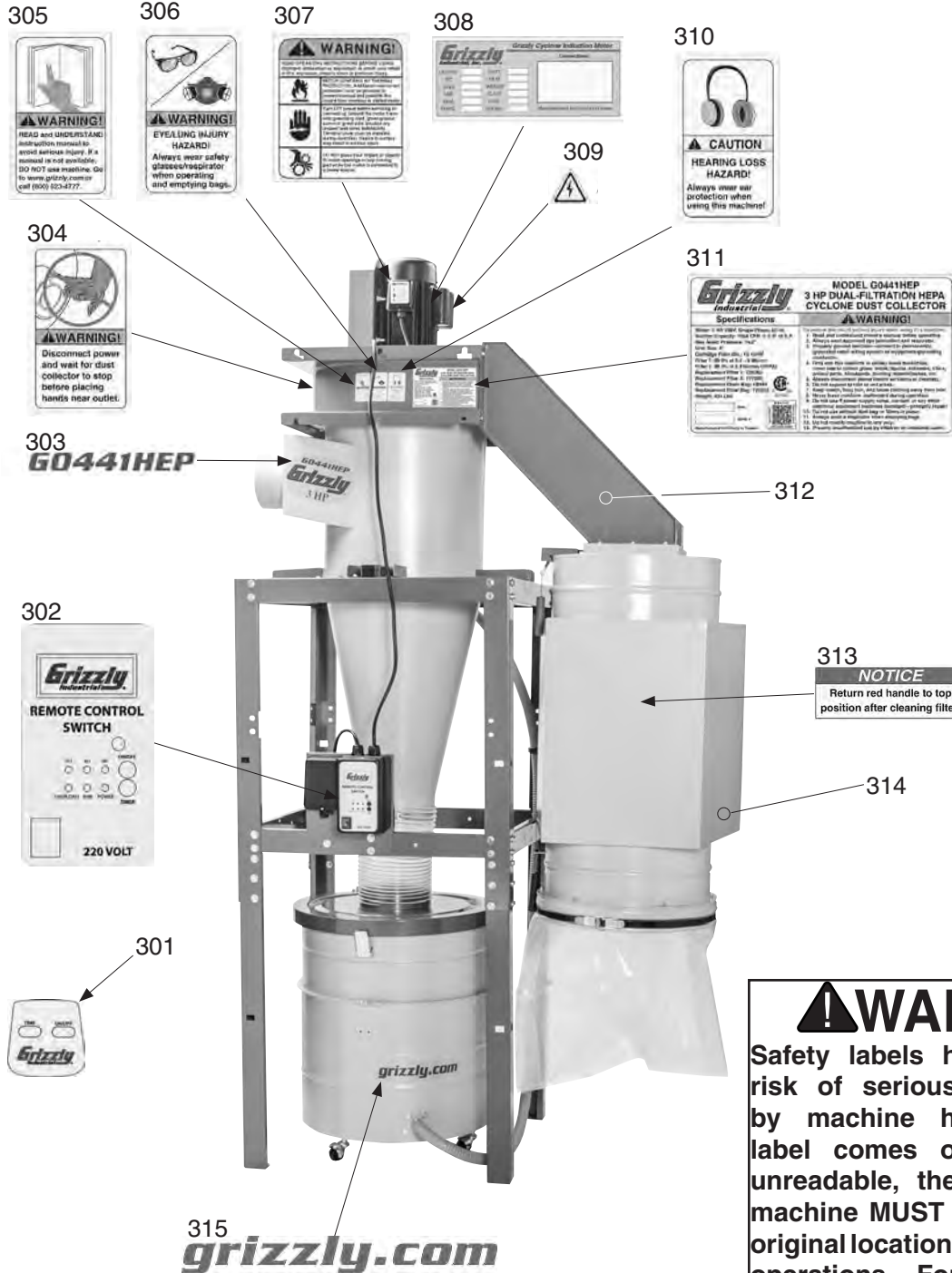
Main Parts List

REF	PART #	DESCRIPTION
1	P0441HEP001	MOTOR 3HP 220V 1-PH
1-1	P0441HEP001-1	MOTOR FAN COVER
1-2	P0441HEP001-2	MOTOR FAN
1-3	P0441HEP001-3	CAPACITOR COVER
1-4	P0441HEP001-4	S CAPACITOR 600M 125V 1-3/4 X 3-3/4
1-5	P0441HEP001-5	R CAPACITOR 60M 300V 1-5/8 X 3-1/2
1-6	P0441HEP001-6	JUNCTION BOX
1-7	P0441HEP001-7	BALL BEARING 6205ZZ
1-8	P0441HEP001-8	BALL BEARING 6203ZZ
1-9	P0441HEP001-9	CONTACT PLATE
1-10	P0441HEP001-10	CENTRIFUGAL SWITCH 3450
2	P0441HEP002	MOTOR CORD 12G 3C
3	P0441HEP003	REMOTE MAG SWITCH 220V
3-1	P0441HEP003-1	CONTACTOR NHD C-18D 220V
3-2	P0441HEP003-2	OL RELAY NHD NTH-25 21-25A
3-3	P0441HEP003-3	CIRCUIT BOARD 220V W/TRANSFORMER
3-4	P0441HEP003-4	ON/OFF SWITCH 110/220V
4	P0441HEP004	REMOTE CONTROLLER
5	P0441HEP005	HEX BOLT 3/8-16 X 1-1/2
6	P0441HEP006	FLAT WASHER 3/8
7	P0441HEP007	LOCK WASHER 3/8
8	P0441HEP008	HEX NUT 3/8-16
9	P0441HEP009	BLOWER COVER
10	P0441HEP010	HEX BOLT 3/8-16 X 1-1/2
11	P0441HEP011	FLAT WASHER 3/8
12	P0441HEP012	LOCK WASHER 3/8
13	P0441HEP013	HEX NUT 3/8-16
14	P0441HEP014	IMPELLER 15-1/2"
15	P0441HEP015	IMPELLER FENDER WASHER 3/8
16	P0441HEP016	HEX BOLT 3/8-16 X 1 LH
17	P0441HEP017	FOAM TAPE 3 X 6 X 1600MM
18	P0441HEP018	BLOWER HOUSING
19	P0441HEP019	FLAT WASHER 5/16
20	P0441HEP020	HEX BOLT 5/16-18 X 3/4
21	P0441HEP021	OUTLET GASKET 326 X 226MM
23	P0441HEP023	HEX BOLT 5/16-18 X 1
24	P0441HEP024	FLAT WASHER 5/16
34	P0441HEP034	PLASTIC BAG 570 X 600MM
35	P0441HEP035	FOAM TAPE 3 X 6 X 1600MM
36	P0441HEP036	INTAKE CYLINDER 10"
37	P0441HEP037	HEX BOLT 5/16-18 X 3/4
38	P0441HEP038	FLAT WASHER 5/16
39	P0441HEP039	BARREL GASKET 584MM DIA.
40	P0441HEP040	INTAKE BARREL 20"
41	P0441HEP041	HEX BOLT 5/16-18 X 3/4
42	P0441HEP042	FLAT WASHER 5/16
43	P0441HEP043	BARREL GASKET 584MM DIA.
44	P0441HEP044	CYCLONE FUNNEL 20"
45	P0441HEP045	HEX BOLT 5/16-18 X 1
46	P0441HEP046	FLAT WASHER 5/16
47	P0441HEP047	HEX NUT 5/16-18
48	P0441HEP048	HOSE CLAMP 9"
49	P0441HEP049	CLEAR FLEX PIPE 9" X 340MM
50	P0441HEP050	COLLECTION DRUM LID
51	P0441HEP051	DRUM SEAL TYPE-R 2M
52	P0441HEP052	UPPER DRUM 20GAL
53A	P0441HEP053A	COLLECTION DRUM ASSY 55GAL
53	P0441HEP053	COLLECTION DRUM 35GAL
54	P0441HEP054	DRUM CLAMP

REF	PART #	DESCRIPTION
55	P0441HEP055	HEX BOLT 5/16-18 X 3
56	P0441HEP056	HEX NUT 5/16-18
57	P0441HEP057	DRUM LID LATCH ASSEMBLY
58	P0441HEP058	PHLP HD SCR 10-24 X 3/8
59	P0441HEP059	HEX NUT 10-24
60	P0441HEP060	PHLP HD SCR 10-24 X 3/8
61	P0441HEP061	HEX NUT 10-24
62	P0441HEP062	CASTER 2"
63	P0441HEP063	HEX NUT 3/8-16
64	P0441HEP064	LOCK WASHER 3/8
65	P0441HEP065	FLAT WASHER 3/8
66	P0441HEP066	HEX BOLT 5/16-18 X 1
67	P0441HEP067	FLAT WASHER 5/16
84	P0441HEP084	EXT TOOTH WASHER 3/8
86	P0441HEP086	MOTOR MOUNT GASKET
94	P0441HEP094	JUNCTION BOX
95	P0441HEP095	JUNCTION BOX CORD 12G 3C 12"
96	P0441HEP096	GROUNDING WIRE 12G 6" (GREEN)
101	P0441HEP101	CYCLONE VACUUM TUBE
102	P0441HEP102	FLAT WASHER 5/16
103	P0441HEP103	HEX BOLT 5/16-18 X 3/4
104	P0441HEP104	TUBE PLUG 1-1/4"
105	P0441HEP105	FOAM TAPE 3 X 6 X 300MM
106	P0441HEP106	VACUUM HOSE 1-1/4" X 98"
107	P0441HEP107	COLLECTION DRUM VACUUM TUBE
108	P0441HEP108	FLAT WASHER 5/16
109	P0441HEP109	HEX BOLT 5/16-18 X 3/4
110	P0441HEP110	HOSE CLAMP 1-1/4"
111	P0441HEP111	TUBE PLUG 1-1/4"
112	P0441HEP112	FOAM TAPE 3 X 6 X 300MM
113	P0441HEP113	COLLECTION DRUM VACUUM RING
114	P0441HEP114	DRUM COLLECTION BAG 640 X 1200MM
115	P0441HEP115	MOUNTING BRACKET
116	P0441HEP116	LOCK NUT 5/16-18
117	P0441HEP117	LOCK NUT 3/8-16
118	P0441HEP118	UPPER STAND BRACE
119	P0441HEP119	UPPER STAND LEG
120	P0441HEP120	LOWER STAND BRACE
121	P0441HEP121	LOWER STAND LEG
122	P0441HEP122	STAND SWITCH BRACKET
123	P0441HEP123	VACUUM HOSE CLIP 2-1/2"
124	P0441HEP124	HEX BOLT 3/8-16 X 3/4
221	P0441HEP221	FLAT WASHER 1/4
223	P0441HEP223	TAP SCREW M4 X 12
224	P0441HEP224	PHLP HD SCR 1/4-20 X 3/4
225	P0441HEP225	HEX NUT 1/4-20
226	P0441HEP226	FILTER ADAPTER
227	P0441HEP227	HEX BOLT 3/8-16 X 1
228	P0441HEP228	PULL WIRE RAIL COVER
228-1	P0441HEP228-1	PULL WIRE
229	P0441HEP229	HEX BOLT 1/4-20 X 3/4
230	P0441HEP230	HEPA FILTER HOUSING
230-1	P0441HEP230-1	HEPA OUTER FILTER
230-2	P0441HEP230-2	HEPA FILTER 595 X 595 X 292MM
230-3	P0441HEP230-3	HEPA FILTER CAGE 595 X 595, GREEN
230-4	P0441HEP230-4	BAG CLAMP 445MM
230-5	P0441HEP230-5	HEPA FILTER BOTTOM PLATE
231	P0441HEP231	DRUM LID PVC RUBBER SEAL 2M
232A	P0441HEP232A	HEPA FILTER KIT



G0441HEP Labels & Cosmetics



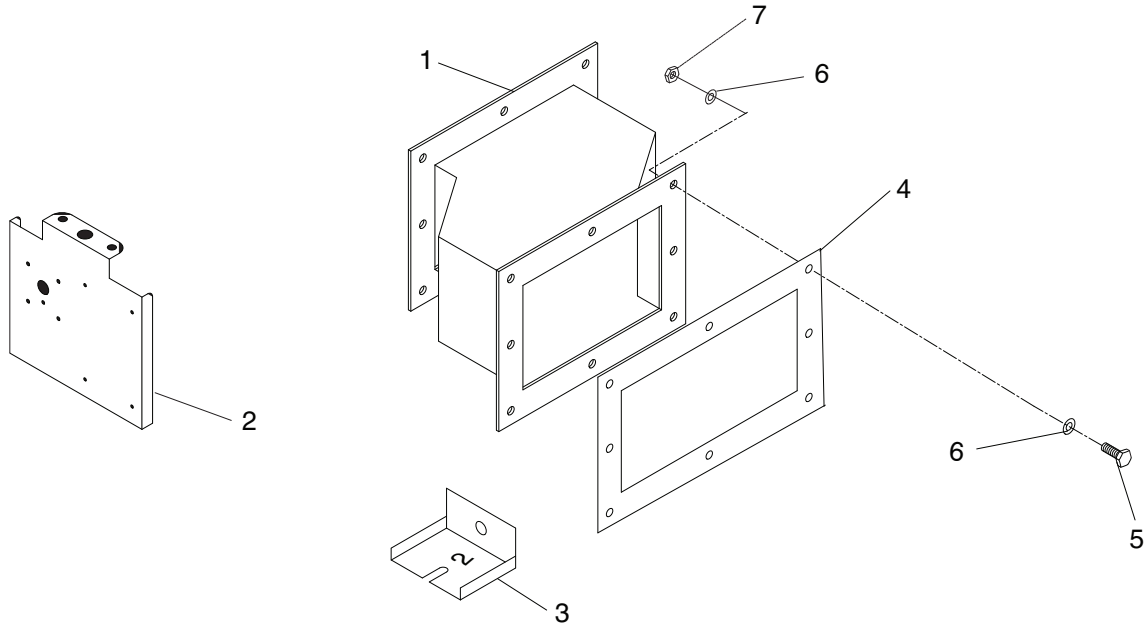
⚠ WARNING
 Safety labels help reduce the risk of serious injury caused by machine hazards. If any label comes off or becomes unreadable, the owner of this machine **MUST** replace it in the original location before resuming operations. For replacements, contact (800) 523-4777 or www.grizzly.com.

REF	PART #	DESCRIPTION
301	P0441HEP301	REMOTE CONTROL LABEL
302	P0441HEP302	CONTROL PANEL LABEL
303	P0441HEP303	MODEL NUMBER LABEL
304	P0441HEP304	HANDS/DUST COLLECTOR OUTLET LABEL
305	P0441HEP305	READ MANUAL LABEL 2W X 3.3H
306	P0441HEP306	GLASSES/RESPIRATOR DC LABEL
307	P0441HEP307	MOTOR WARNING LABEL
308	P0441HEP308	MOTOR SPEC LABEL

REF	PART #	DESCRIPTION
309	P0441HEP309	ELECTRICITY LABEL 1.4W X 1.2H
310	P0441HEP310	EAR PROTECTION LABEL 1.5W X 2.5H
311	P0441HEP311	MACHINE ID LABEL CSA
312	P0441HEP312	GRIZZLY GREEN TOUCH-UP PAINT
313	P0441HEP313	RETURN RED HANDLE LABEL
314	P0441HEP314	GRIZZLY PUTTY TOUCH-UP PAINT
315	P0441HEP315	GRIZZLY.COM LABEL



T27326 Wall-Mount Adapter Kit Parts List



REF	PART #	DESCRIPTION
1	PT27326001	WALL MOUNT ADAPTER
2	PT27326002	SWITCH MOUNTING BRACKET
3	PT27326003	INTAKE BARREL BRACE, EXTENDED
4	PT27326004	OUTLET GASKET 326 X 226MM

REF	PART #	DESCRIPTION
5	PT23726005	HEX BOLT 3/8-16 X 1
6	PT23726006	FLAT WASHER 3/8
7	PT23726007	HEX NUT 3/8-16

