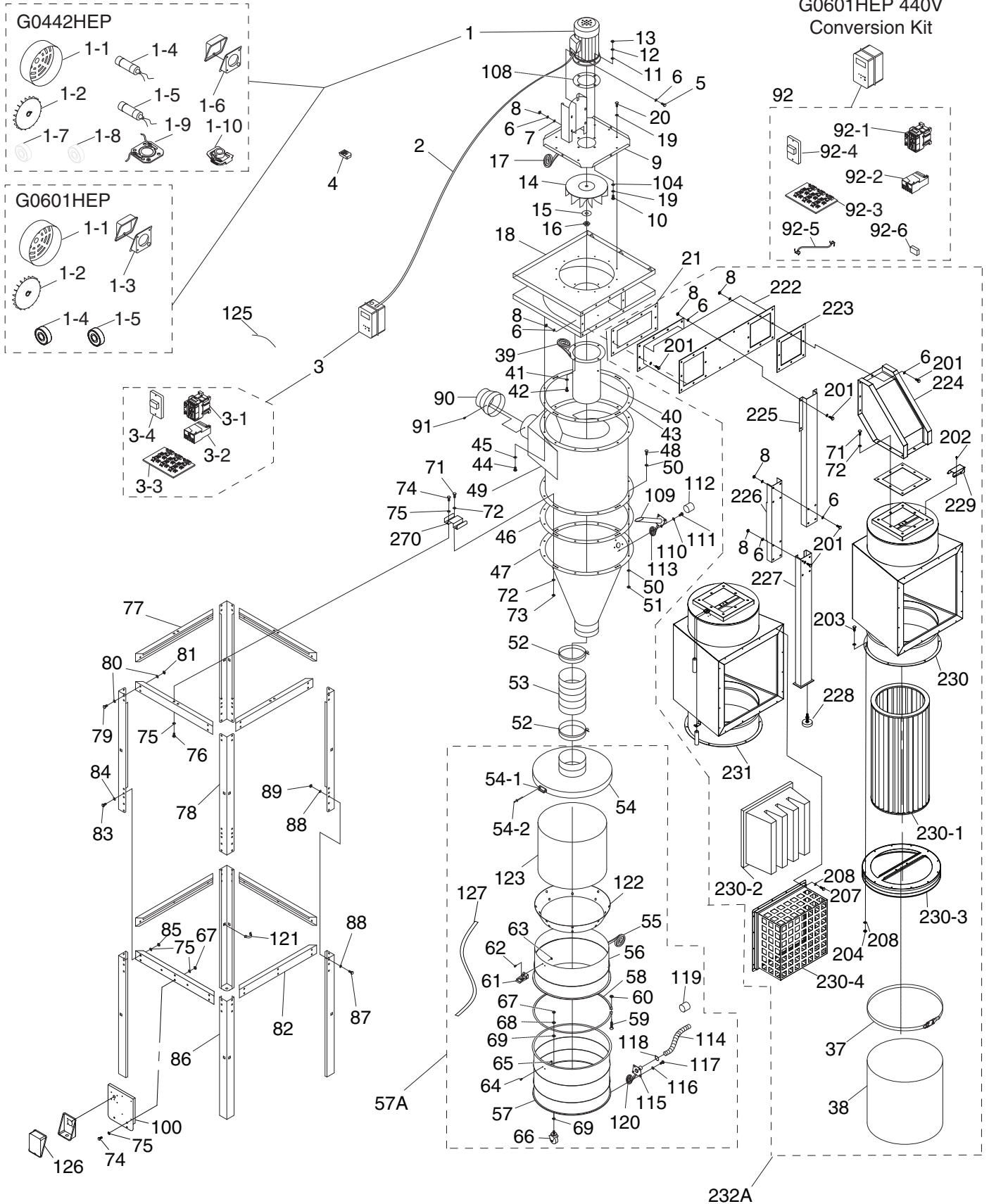


# Main

G0601HEP 440V  
Conversion Kit



# G0442HEP Only Parts List

REF	PART #	DESCRIPTION
1	P0442HEP001	MOTOR 5HP 220/440V 3-PH
1-1	P0442HEP001-1	MOTOR FAN COVER
1-2	P0442HEP001-2	MOTOR FAN
1-4	P0442HEP001-4	S CAPACITOR 400M 250V 1-3/4 X 3-3/4
1-5	P0442HEP001-5	R CAPACITOR 40M 450V
1-6	P0442HEP001-6	JUNCTION BOX
1-7	P0442HEP001-7	BALL BEARING 6207ZZ
1-8	P0442HEP001-8	BALL BEARING 6205ZZ

REF	PART #	DESCRIPTION
1-9	P0442HEP001-9	CONTACT PLATE
1-10	P0442HEP001-10	CENTRIFUGAL SWITCH 3/4-3450
2	P0442HEP002	MOTOR CORD 12G 3W
3	P0442HEP003	CONTROL BOX ASSY 220V 1-PH CSA
3-1	P0442HEP003-1	CONTACTOR NHD C-18D 220V
3-2	P0442HEP003-2	OL RELAY NHD NTH-25 21-25A
3-3	P0442HEP003-3	CIRCUIT BOARD 22V W/TRANSFORMER
3-4	P0442HEP003-4	ON/OFF SWITCH 220V

# G0601HEP Only Parts List

REF	PART #	DESCRIPTION
1	P0601HEP001	MOTOR 5HP 220/440V 3-PH
1-1	P0601HEP001-1	MOTOR FAN COVER
1-2	P0601HEP001-2	MOTOR FAN
1-3	P0601HEP001-3	JUNCTION BOX
1-4	P0601HEP001-4	FRONT MOTOR BEARING
1-5	P0601HEP001-5	REAR MOTOR BEARING
2	P0601HEP002	MOTOR CORD 12G 4W 300V
3	P0601HEP003V2	CONTROL BOX ASSY 220V 3-PH CSA
3-1	P0601HEP003-1	CONTACTOR NHD C-18D 220V
3-2	P0601HEP003-2	OL RELAY NHD NTH-15 10-15A

REF	PART #	DESCRIPTION
3-3	P0601HEP003-3	CIRCUIT BOARD 220V W/TRANSFORMER
3-4	P0601HEP003-4	ON/OFF SWITCH 220V
92	P0601HEP003-1	CONTROL BOX ASSY 440V 3-PH CSA
92-1	P0601HEP003-1-1	CONTACTOR NHD C-09D 440V
92-2	P0601HEP003-1-2	OL RELAY NHD NTH-08 6-8A
92-3	P0601HEP003-1-3	CIRCUIT BOARD
92-4	P0601HEP003-1-4	ON/OFF SWITCH 440V
92-5	P0601HEP003-1-5	MOTOR CORD 12G 4W 600V
92-6	P0601HEP003-1-6	SWITCH TRANSFORMER 30VA

# G0442HEP/G0601HEP HEPA Filter Parts List

REF	PART #	DESCRIPTION
201	P0442HEP201	HEX BOLT 3/8-16 X 1
202	P0442HEP202	TAP SCEW M4 X 12
203	P0442HEP203	PHLP HD SCR 1/4-20 X 3/4
204	P0442HEP204	HEX NUT 1/4-20
207	P0442HEP207	HEX BOLT 1/4-20 X 3/4
208	P0442HEP208	FLAT WASHER 1/4
222	P0442HEP222	OUTLET
223	P0442HEP223	FILTER ADAPTER GASKET
224	P0442HEP224	FILTER ADAPTER
225	P0442HEP225	HEPA SUPPORT LEG (TOP)
226	P0442HEP226	HEPA SUPPORT LEG (MIDDLE)

REF	PART #	DESCRIPTION
227	P0442HEP227	HEPA SUPPORT LEG (BOTTOM)
228	P0442HEP228	ADJUSTABLE ANCHOR M16
229	P0442HEP229	PULL WIRE RAIL COVER
230	P0442HEP230	HEPA FILTER BODY (RIGHT)
230-1	P0442HEP230-1	HEPA FILTER OUTER
230-2	P0442HEP230-2	HEPA FILTER 595 X 595 X 292MM
230-3	P0442HEP230-3	HEPA FILTER BOTTOM PLATE
230-4	P0442HEP230-4	HEPA FILTER CAGE 595 X 595
231	P0442HEP231	HEPA FILTER BODY (LEFT)
232A	P0442HEP232A	HEPA FILTER KIT
270	P0442HEP270	COLLECTOR MOUNTING BRACKET



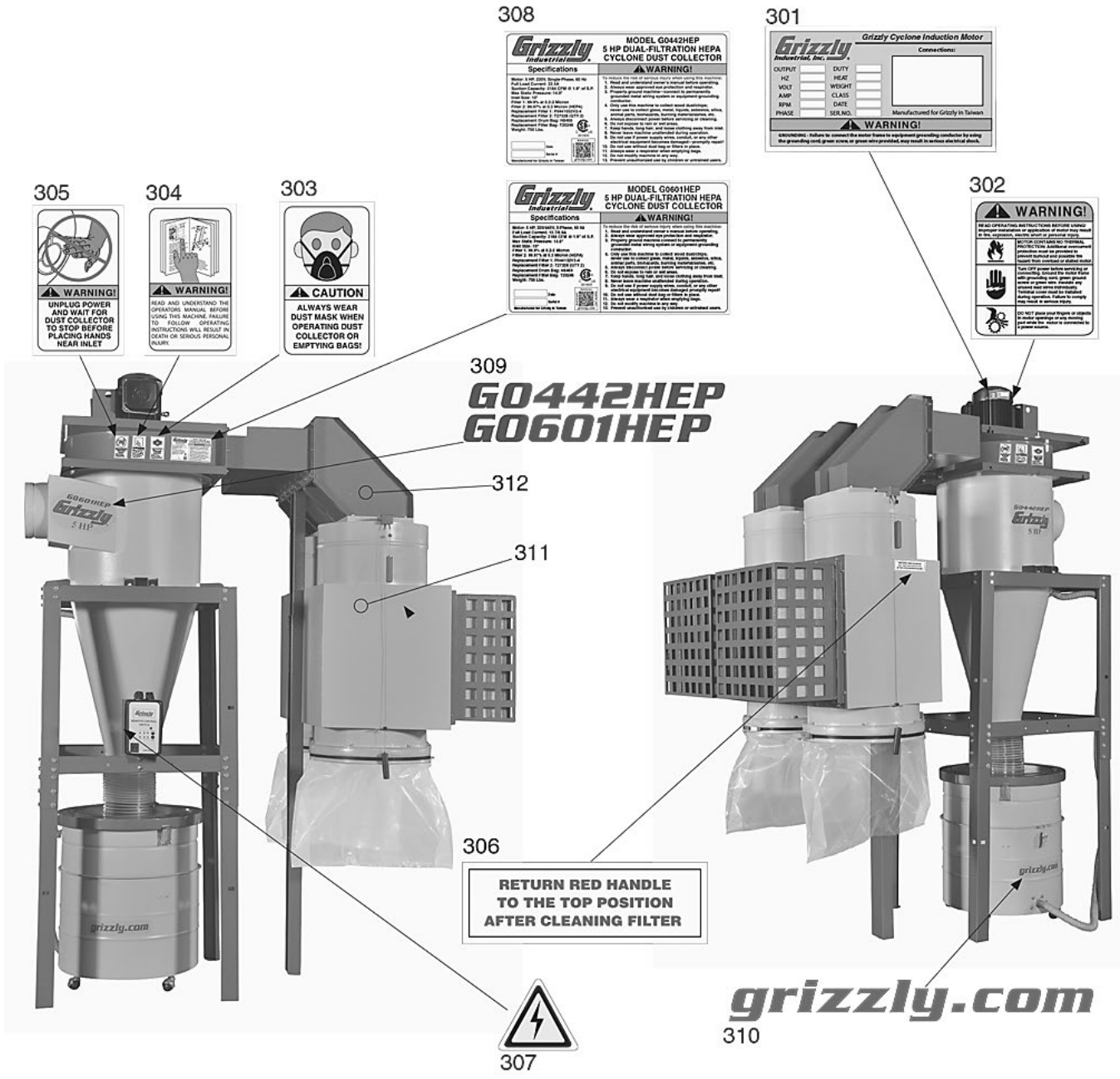
# G0442HEP/G0601HEP Common Parts List

REF	PART #	DESCRIPTION
4	P0442HEP004	REMOTE CONTROL
5	P0442HEP005	HEX BOLT 3/8-16 X 1-1/2
6	P0442HEP006	FLAT WASHER 3/8
7	P0442HEP007	LOCK WASHER 3/8
8	P0442HEP008	HEX NUT 3/8-16
9	P0442HEP009	BLOWER COVER
10	P0442HEP010	HEX BOLT 1/2-13 X 1-1/2
11	P0442HEP011	FENDER WASHER 1/2"
12	P0442HEP012	LOCK WASHER 1/2
13	P0442HEP013	HEX NUT 1/2-13
14	P0442HEP014	IMPELLER 16"
15	P0442HEP015	FLAT WASHER 3/4
16	P0442HEP016	HEX NUT 3/4-16 LH
17	P0442HEP017	FOAM TAPE 3 X 6 X 1800MM
18	P0442HEP018	IMPELLER HOUSING
19	P0442HEP019	FLAT WASHER 5/16
20	P0442HEP020	HEX BOLT 5/16-18 X 3/4
21	P0442HEP021	OUTLET GASKET 456 X 226MM
37	P0442HEP037	FILTER BAG CLAMP 545MM
38	P0442HEP038	PLASTIC BAG 570 X 600MM
39	P0442HEP039	FOAM TAPE 3 X 6 X 1800MM
40	P0442HEP040	INTAKE CYLINDER 12"
41	P0442HEP041	FLAT WASHER 5/16
42	P0442HEP042	HEX BOLT 5/16-18 X 3/4
43	P0442HEP043	BARREL GASKET 686MM DIA.
44	P0442HEP044	HEX BOLT 5/16-18 X 3/4
45	P0442HEP045	FLAT WASHER 5/16
46	P0442HEP046	BARREL GASKET 686MM DIA.
47	P0442HEP047	CYCLONE FUNNEL
48	P0442HEP048	HEX BOLT 5/16-18 X 1
49	P0442HEP049	INTAKE BARREL
50	P0442HEP050	FLAT WASHER 5/16
51	P0442HEP051	HEX NUT 5/16-18
52	P0442HEP052	HOSE CLAMP 9"
53	P0442HEP053	CLEAR FLEXIBLE PIPE 9" X 10"
54	P0442HEP054	COLLECTION DRUM LID
54-1	P0442HEP054-1	DRUM LID HOOK
54-2	P0442HEP054-2	RIVET 4 X 7MM BLIND, STEEL
55	P0442HEP055	DRUM SEAL TYPE-R 2M
56	P0442HEP056	UPPER DRUM 25GAL
57A	P0442HEP057A	COLLECTION DRUM ASSEMBLY
57	P0442HEP057	COLLECTION DRUM 35GAL
58	P0442HEP058	DRUM CLAMP
59	P0442HEP059	HEX BOLT 5/16-18 X 3
60	P0442HEP060	HEX NUT 5/16-18
61	P0442HEP061	DRUM LID LATCH
62	P0442HEP062	PHLP HD SCR 10-24 X 3/8
63	P0442HEP063	HEX NUT 10-24

REF	PART #	DESCRIPTION
64	P0442HEP064	PHLP HD SCR 10-24 X 3/8
65	P0442HEP065	HEX NUT 10-24
66	P0442HEP066	CASTER 2"
67	P0442HEP067	HEX NUT 3/8-16
68	P0442HEP068	LOCK WASHER 3/8
69	P0442HEP069	FLAT WASHER 3/8
71	P0442HEP071	HEX BOLT 5/16-18 X 1
72	P0442HEP072	FLAT WASHER 5/16
73	P0442HEP073	LOCK NUT 5/16-18
74	P0442HEP074	HEX BOLT 3/8-16 X 3/4
75	P0442HEP075	FLAT WASHER 3/8
76	P0442HEP076	LOCK NUT 3/8-16
77	P0442HEP077	UPPER STAND BRACE
78	P0442HEP078	UPPER STAND LEG
79	P0442HEP079	HEX BOLT 3/8-16 X 3/4
80	P0442HEP080	FLAT WASHER 3/8
81	P0442HEP081	LOCK NUT 3/8-16
82	P0442HEP082	LOWER BRACKET BRACE
83	P0442HEP083	HEX BOLT 3/8-16 X 3/4
84	P0442HEP084	FLAT WASHER 3/8
85	P0442HEP085	LOCK NUT 3/8-16
86	P0442HEP086	LOWER STAND LEG
87	P0442HEP087	HEX BOLT 3/8-16 X 3/4
88	P0442HEP088	FLAT WASHER 3/8
89	P0442HEP089	LOCK NUT 3/8-16
90	P0442HEP090	REDUCER 10" TO 8"
91	P0442HEP091	TAP SCREW M4 X 12
100	P0442HEP100	STAND SWITCH BRACKET CSA
104	P0442HEP104	EXT TOOTH WASHER 1/2
108	P0442HEP108	MOTOR GASKET
109	P0442HEP109	CYCLONE VACUUM TUBE
110	P0442HEP110	FLAT WASHER 5/16
111	P0442HEP111	HEX BOLT 5/16-18 X 3/4
112	P0442HEP112	TUBE PLUG 1-1/4"
113	P0442HEP113	FOAM TAPE 3 X 6 X 300MM
114	P0442HEP114	VACUUM HOSE 1-1/4" X 98"
115	P0442HEP115	COLLECTION DRUM VACUUM TUBE
116	P0442HEP116	FLAT WASHER 5/16
117	P0442HEP117	HEX BOLT 5/16-18 X 3/4
118	P0442HEP118	HOSE CLAMP 1-1/4"
119	P0442HEP119	PORT PLUG 1-1/4"
120	P0442HEP120	FOAM TAPE 3 X 6 X 300MM
121	P0442HEP121	VACUUM HOSE CLIP 2-1/2"
122	P0442HEP122	COLLECTION DRUM VACUUM RING
123	P0442HEP123	DRUM COLLECTION BAG 640 X 1200MM
125	P0442HEP125	GREEN GROUNDING WIRE 12G 6"
126	P0442HEP126	JUNCTION BOX
127	P0442HEP127	DRUM LID PVC RUBBER SEAL 2M



# G0442HEP/G0601HEP Labels & Cosmetics



REF PART #	DESCRIPTION
301	P0442HEP301 MOTOR SPEC LABEL
302	P0442HEP302 MOTOR WARNING LABEL
303	P0442HEP303 GLASSES/RESPIRATOR DC LABEL
304	P0442HEP304 READ MANUAL 2W X 3.3H
305	P0442HEP305 HANDS/DUST COLLECTOR OUTLET 2W X 3.3H
306	P0442HEP306 RETURN RED HANDLE LABEL
307	P0442HEP307 ELECTRICITY 1.4W X 1.2H

REF PART #	DESCRIPTION
308	P0442HEP308 MACHINE ID LABEL CSA (G0442HEP)
308	P0601HEP308 MACHINE ID LABEL CSA (G0601HEP)
309	P0442HEP309 MODEL NUMBER LABEL (G0442HEP)
309	P0601HEP308 MODEL NUMBER LABEL (G0601HEP)
310	P0442HEP310 GRIZZLY.COM LABEL
311	P0442HEP311 PUTTY TOUCH-UP PAINT
312	P0442HEP312 GRIZZLY GREEN TOUCH-UP PAINT

