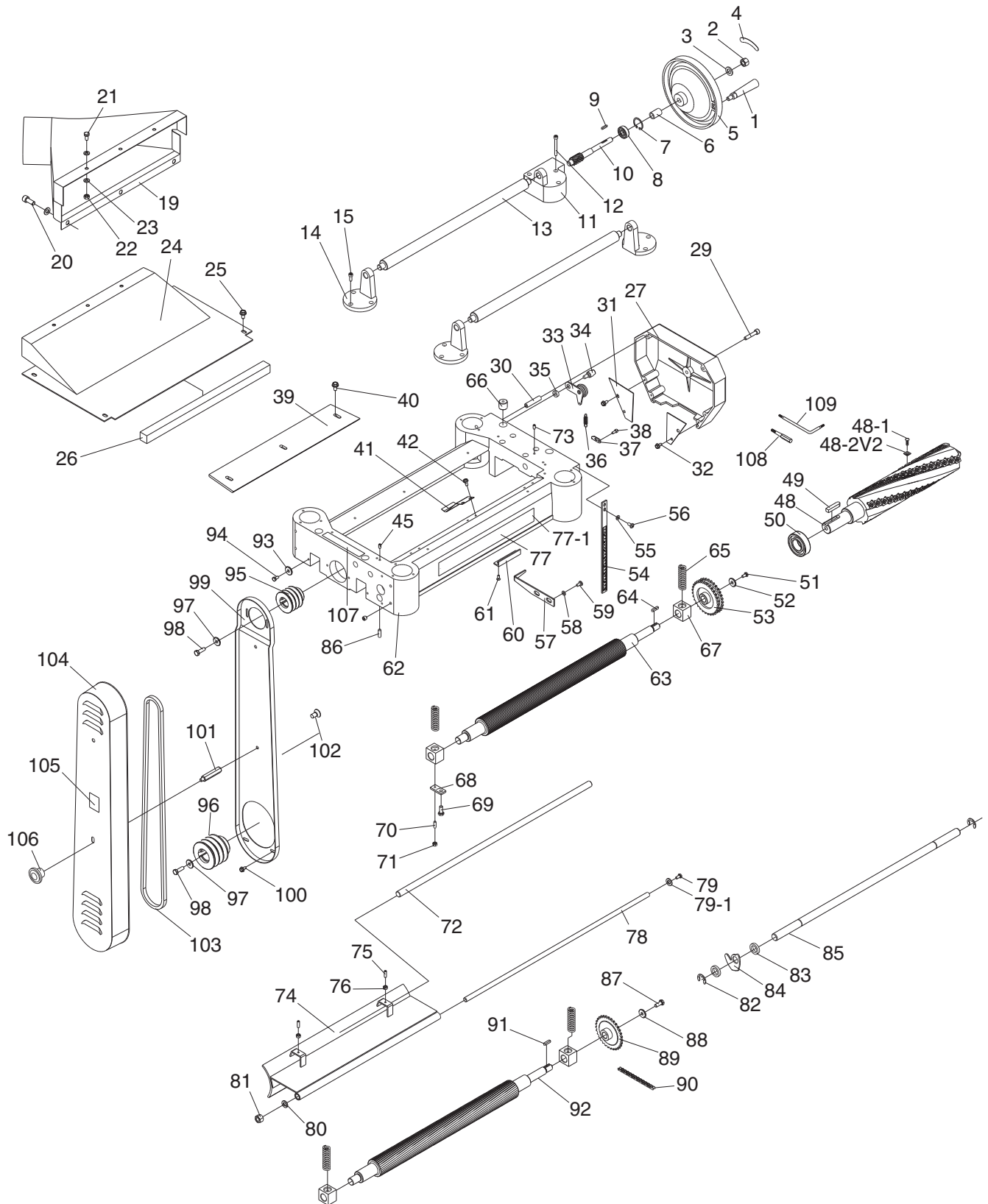


# SECTION 9: PARTS

## G0453Z Headstock Breakdown



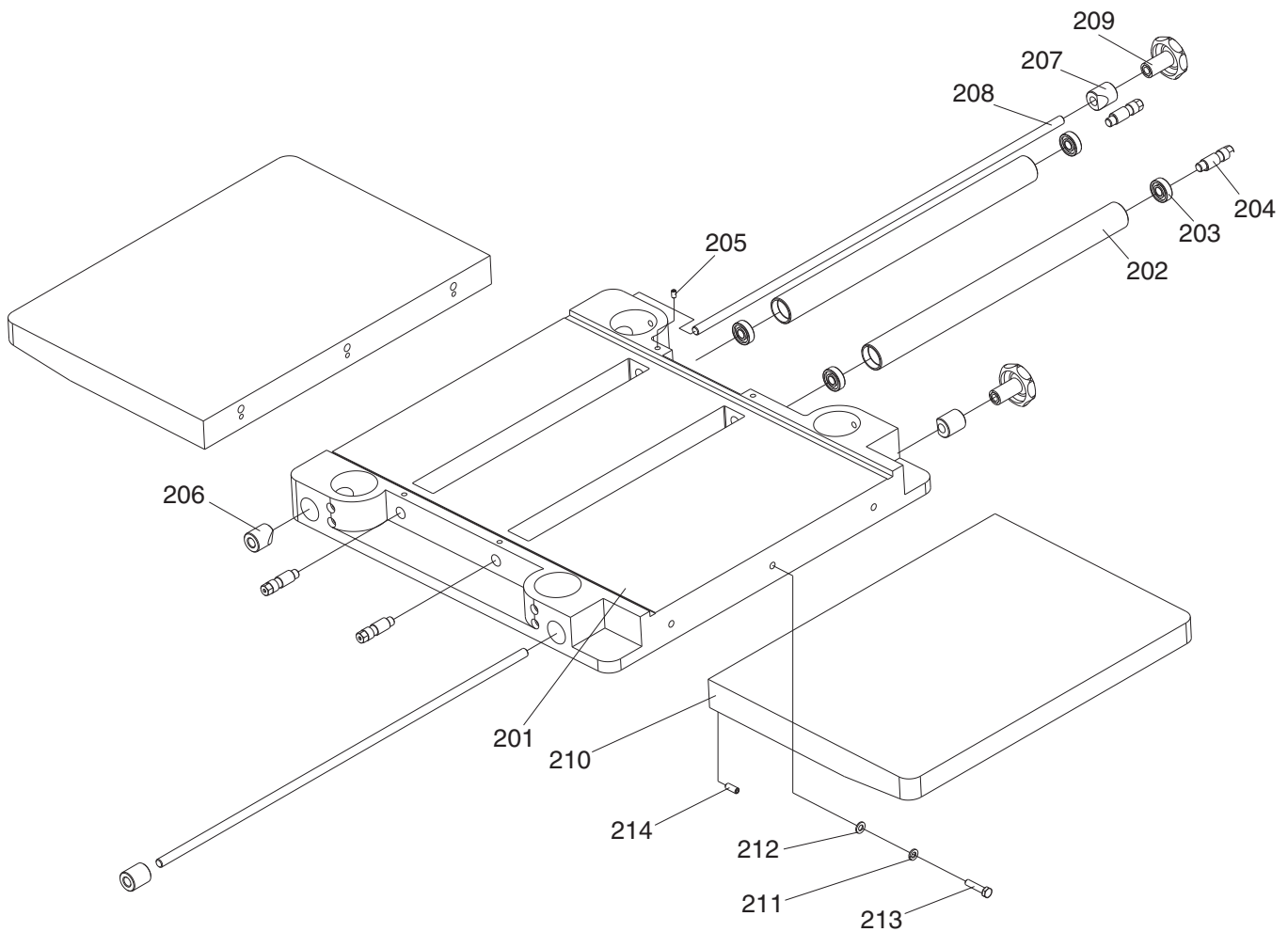
# G0453Z Headstock Parts List

REF	PART #	DESCRIPTION
1	P0453Z001	HANDLE
2	P0453Z002	HEX NUT M12-1.75
3	P0453Z003	FLAT WASHER 12MM
4	P0453Z004	HANDWHEEL LABEL
5	P0453Z005	HANDWHEEL
6	P0453Z006	HANDWHEEL COLLAR
7	P0453Z007	INT RETAINING RING 32MM
8	P0453Z008	BALL BEARING 6201ZZ
9	P0453Z009	KEY 4 X 4 X 20
10	P0453Z010	WORM GEAR
11	P0453Z011	WORM HOUSING
12	P0453Z012	CAP SCREW M5-.8 X 55
13	P0453Z013	RETURN ROLLER
14	P0453Z014	ROLLER STAND 3.505" V2.01.08
15	P0453Z015	CAP SCREW M5-.8 X 14
19	P0453Z019	DUST HOOD
20	P0453Z020	CAP SCREW M8-1.25 X 20
21	P0453Z021	HEX BOLT M6-1 X 10
22	P0453Z022	HEX NUT M6-1
23	P0453Z023	FLAT WASHER 6MM
24	P0453Z024	TOP COVER
25	P0453Z025	FLANGE BOLT M6-1 X 10
26	P0453Z026	FOAM PIECE
27	P0453Z027	CHAIN DRIVE COVER
29	P0453Z029	CAP SCREW M8-1.25 X 45
30	P0453Z030	SHAFT
31	P0453Z031	SAFETY HATCH
32	P0453Z032	FLANGE BOLT M6-1 X 10
33	P0453Z033	IDLER PULLEY/BRACKET ASSY
34	P0453Z034	IDLER MOUNTING SHAFT
35	P0453Z035	IDLER BRACKET COLLAR
36	P0453Z036	EXTENSION SPRING
37	P0453Z037	HANGER
38	P0453Z038	CAP SCREW M6-1 X 8
39	P0453Z039	CHIP DEFLECTOR
40	P0453Z040	FLANGE BOLT M6-1 X 12
41	P0453Z041	HOLD DOWN PLATE
42	P0453Z042	FLANGE BOLT M6-1 X 12
45	P0453Z045	SET SCREW M6-1 X 20
48	P0453Z048	SPIRAL CUTTERHEAD W/INSERTS 15"
48-1	P0453Z048-1	FLAT HD TORX T20 M6-1 X 15
48-2V2	P0453Z048-2V2	INDEXABLE CARBIDE INSERT 14 X 14 X 2MM V2.04.15
49	P0453Z049	KEY 8 X 8 X 36
50	P0453Z050	BALL BEARING 6205ZZ
51	P0453Z051	HEX BOLT M6-1 X 16
52	P0453Z052	FLAT WASHER 6MM
53	P0453Z053	OUTFEED ROLLER SPROCKET
54	P0453Z054	SCALE
55	P0453Z055	FLAT WASHER 6MM
56	P0453Z056	PHLP HD SCR M6-1 X 12
57	P0453Z057	POINTER
58	P0453Z058	FLAT WASHER 6MM

REF	PART #	DESCRIPTION
59	P0453Z059	PHLP HD SCR M6-1 X 12
60	P0453Z060	CUT LIMIT PLATE
61	P0453Z061	FLAT HD SCR M6-1 X 8
62	P0453Z062	HEAD CASTING
63	P0453Z063	OUTFEED ROLLER
64	P0453Z064	KEY 5 X 5 X 16
65	P0453Z065	COMPRESSION SPRING
66	P0453Z066	OILER SET SCREW
67	P0453Z067	ROLLER BUSHING BLOCK
68	P0453Z068	PLATE
69	P0453Z069	HEX BOLT M8-1.25 X 16
70	P0453Z070	SET SCREW M5-.8 X 12
71	P0453Z071	HEX NUT M5-.8
72	P0453Z072	CHIP BREAKER SHAFT
73	P0453Z073	SET SCREW M6-1 X 20
74	P0453Z074	CHIP BREAKER
75	P0453Z075	SET SCREW M6-1 X 18
76	P0453Z076	HEX NUT M6-1
78	P0453Z078	LOCKING ROD
79	P0453Z079	HEX BOLT M8-1.25 X 12
79-1	P0453Z079-1	FLAT WASHER 8MM
80	P0453Z080	LOCK WASHER 12MM
81	P0453Z081	HEX NUT M12-1.75
82	P0453Z082	E-CLIP 15MM
83	P0453Z083	ANTI-KICKBACK SHAFT COLLAR
84	P0453Z084	ANTI-KICKBACK FINGER
85	P0453Z085	ANTI-KICKBACK FINGER SHAFT
86	P0453Z086	SET SCREW M8-1.25 X 16
87	P0453Z087	HEX BOLT M6-1 X 16
88	P0453Z088	FLAT WASHER 6MM
89	P0453Z089	INFEED ROLLER SPROCKET
90	P0453Z090	CHAIN 06B-1 X 63 31 LINKS
91	P0453Z091	KEY 5 X 5 X 16
92	P0453Z092	INFEED ROLLER
93	P0453Z093	FLAT WASHER 6MM
94	P0453Z094	CAP SCREW M6-1 X 12
95	P0453Z095	CUTTERHEAD PULLEY MX
96	P0453Z096	MOTOR PULLEY MX
97	P0453Z097	COLLAR
98	P0453Z098	HEX BOLT M8-1.25 X 20
99	P0453Z099	BELT GUARD
100	P0453Z100	FLANGE BOLT M6-1 X 10
101	P0453Z101	HEX STANDOFF
102	P0453Z102	FLANGE BOLT M6-1 X 12
103	P0453Z103	COGGED V-BELT MX-60
104	P0453Z104	BELT COVER
105	P0453Z105	DON'T REMOVE COVER LABEL
106	P0453Z106	STAR KNOB M8-1.25
107	P0453Z107	OIL FILL LABEL
108	P0453Z108	DRIVER BIT TORX T20
109	P0453Z109	L-WRENCH TORX T20



# G0453Z Table

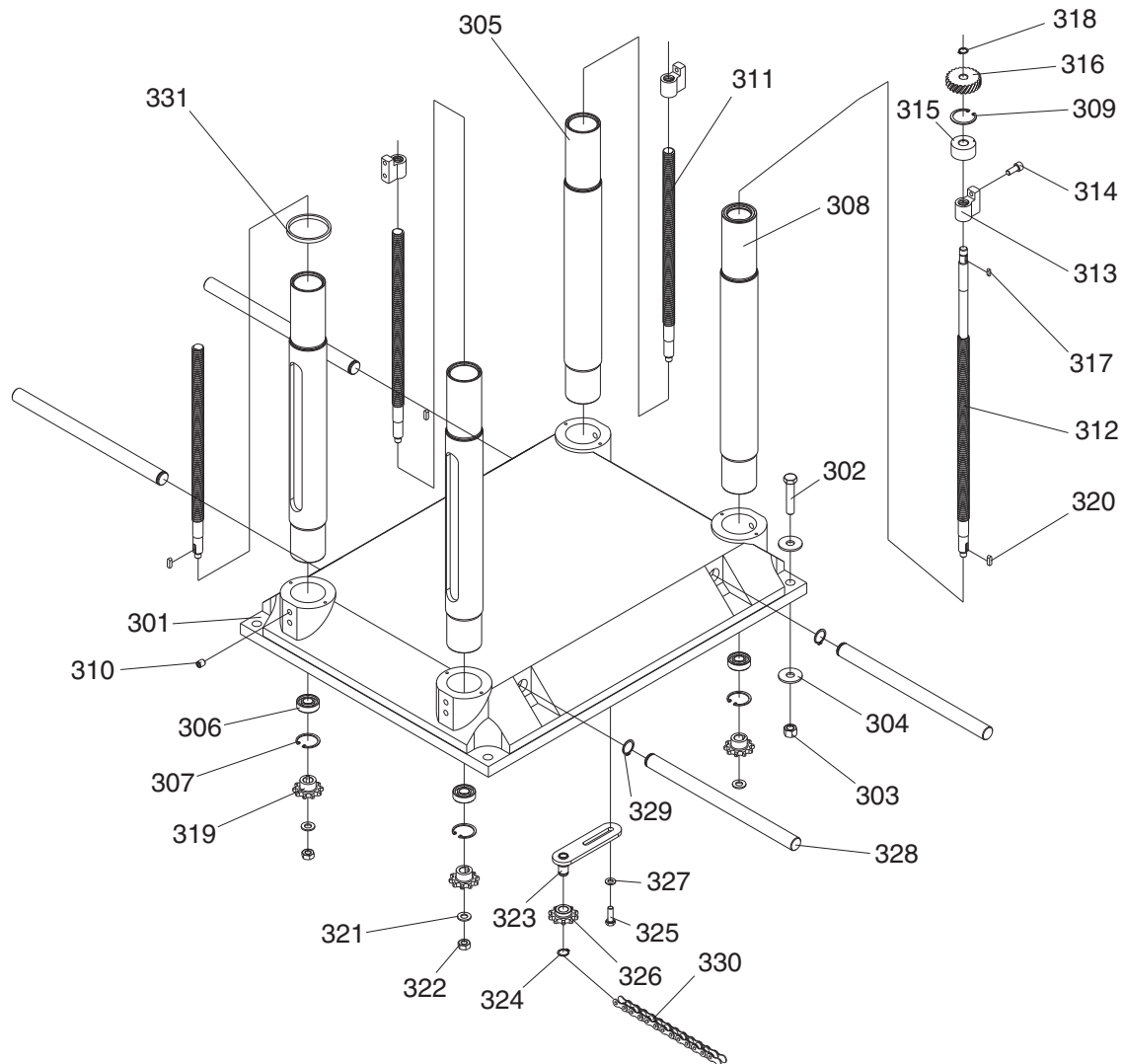


REF	PART #	DESCRIPTION
201	P0453Z201	TABLE/BED
202	P0453Z202	ROLLER
203	P0453Z203	BALL BEARING 608-2RS
204	P0453Z204	ECCENTRIC SHAFT
205	P0453Z205	SET SCREW M6-1 X 16
206	P0453Z206	GIB
207	P0453Z207	WEDGE DOG

REF	PART #	DESCRIPTION
208	P0453Z208	LOCK BAR
209	P0453Z209	FEMALE KNOB M12-1.75
210	P0453Z210	EXTENSION WING
211	P0453Z211	LOCK WASHER 8MM
212	P0453Z212	FLAT WASHER 8MM
213	P0453Z213	HEX BOLT M8-1.25 X 30
214	P0453Z214	SET SCREW M8-1.25 X 20



# G0453Z Columns

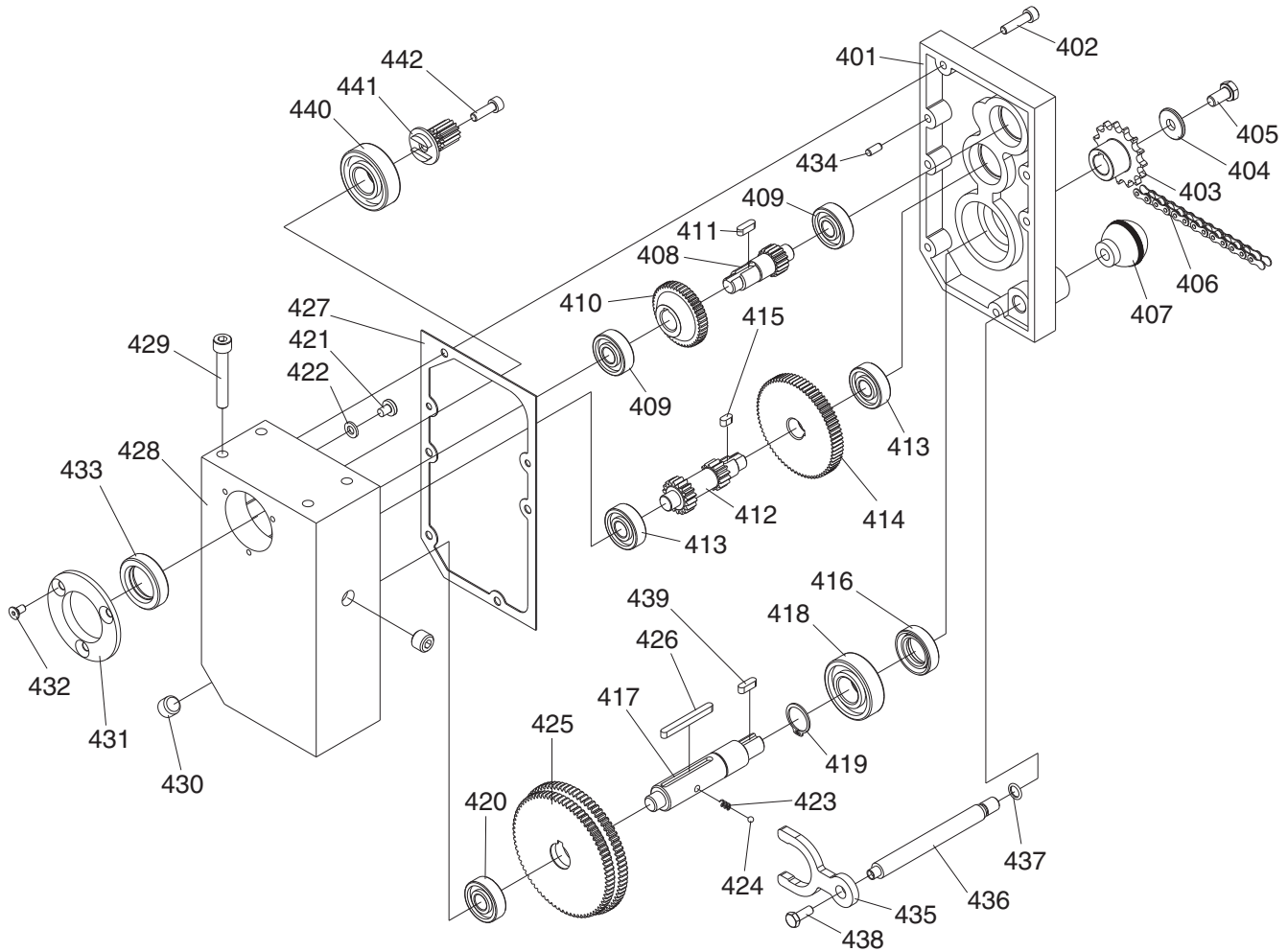


REF	PART #	DESCRIPTION
301	P0453Z301	BASE
302	P0453Z302	HEX BOLT M12-1.75 X 45
303	P0453Z303	HEX NUT M12-1.75
304	P0453Z304	FLAT WASHER 12MM
305	P0453Z305	COLUMN A
306	P0453Z306	BALL BEARING 6302Z
307	P0453Z307	INT RETAINING RING 42MM
308	P0453Z308	COLUMN B
309	P0453Z309	INT RETAINING RING 40MM
310	P0453Z310	SET SCREW M10-1.5 X 12
311	P0453Z311	LEADSCREW A
312	P0453Z312	LEADSCREW B
313	P0453Z313	LEAD NUT
314	P0453Z314	CAP SCREW M6-1 X 20
315	P0453Z315	BUSHING
316	P0453Z316	GEAR

REF	PART #	DESCRIPTION
317	P0453Z317	KEY 4 X 4 X 12
318	P0453Z318	EXT RETAINING RING 12MM
319	P0453Z319	SPROCKET
320	P0453Z320	KEY 5 X 5 X 16
321	P0453Z321	FLAT WASHER 10MM
322	P0453Z322	HEX NUT M10-1.5
323	P0453Z323	BRACKET
324	P0453Z324	EXT RETAINING RING 15MM
325	P0453Z325	HEX BOLT M8-1.25 X 20
326	P0453Z326	IDLER SPROCKET
327	P0453Z327	FLAT WASHER 8MM
328	P0453Z328	LIFTING BAR
329	P0453Z329	EXT RETAINING RING 15MM
330	P0453Z330	CHAIN 12.7A X 134
331	P0453Z331	COLUMN SEAL



# G0453Z Gearbox

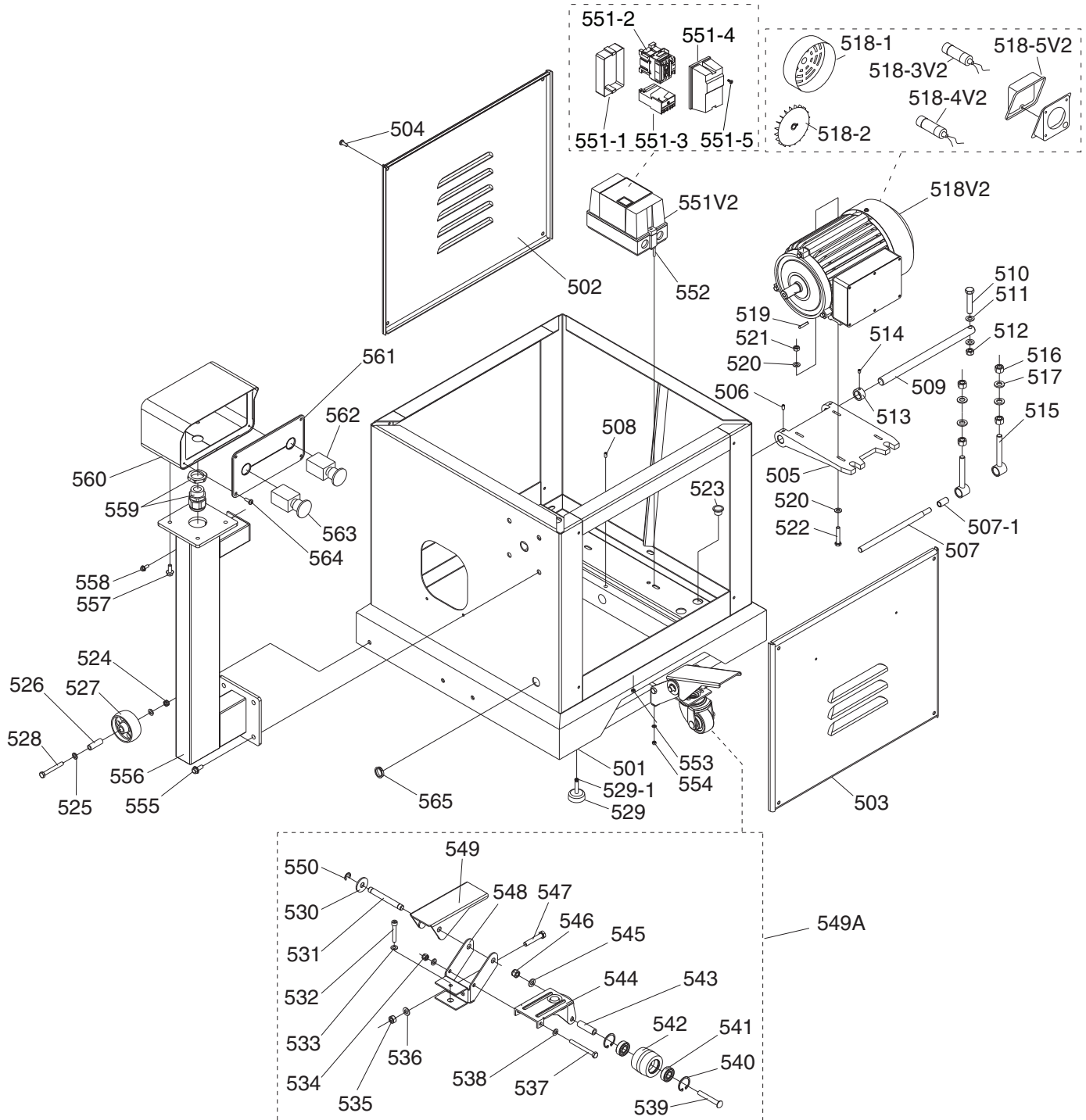


REF	PART #	DESCRIPTION
401	P0453Z401	GEARBOX COVER
402	P0453Z402	HEX BOLT M6-1 X 25
403	P0453Z403	COLUMN SPROCKET
404	P0453Z404	FLAT WASHER 8MM
405	P0453Z405	HEX BOLT M8-1.25 X 16
406	P0453Z406	CHAIN 06B-1 X 51
407	P0453Z407	FEMALE KNOB M8-1.25
408	P0453Z408	GEAR SHAFT A
409	P0453Z409	BALL BEARING 6201ZZ
410	P0453Z410	GEAR A
411	P0453Z411	KEY 5 X 5 X 14
412	P0453Z412	SHAFT B
413	P0453Z413	BALL BEARING 6201ZZ
414	P0453Z414	GEAR B
415	P0453Z415	KEY 5 X 5 X 10
416	P0453Z416	OIL SEAL 25 X 32 X 7
417	P0453Z417	SHAFT C
418	P0453Z418	BALL BEARING 6204ZZ
419	P0453Z419	EXT RETAINING RING 20MM
420	P0453Z420	BALL BEARING 6201ZZ
421	P0453Z421	PHLP HD SCR M6-1 X 8

REF	PART #	DESCRIPTION
422	P0453Z422	FLAT WASHER 6MM
423	P0453Z423	COMPRESSION SPRING
424	P0453Z424	STEEL BALL 4MM
425	P0453Z425	GEAR C
426	P0453Z426	KEY 5 X 5 X 50
427	P0453Z427	GASKET
428	P0453Z428	GEARBOX
429	P0453Z429	HEX BOLT M8-1.25 X 50
430	P0453Z430	OIL PLUG
431	P0453Z431	FLANGE COVER
432	P0453Z432	CAP SCREW M5-.8 X 12
433	P0453Z433	OIL SEAL 25 X 40 X 10
434	P0453Z434	PIN 5 X 10
435	P0453Z435	SHIFT FORK
436	P0453Z436	HANDLE SHAFT
437	P0453Z437	O-RING 10.8 X 2.4 P11
438	P0453Z438	FLANGE BOLT M6-1 X 12
439	P0453Z439	KEY 5 X 5 X 16
440	P0453Z440	BALL BEARING 6204ZZ
441	P0453Z441	GEAR D
442	P0453Z442	CAP SCREW M6-1 X 20 LH



# G0453Z Stand Breakdown



# G0453Z Stand Parts List

REF	PART #	DESCRIPTION
501	P0453Z501	STAND ASSEMBLY
502	P0453Z502	BACK CABINET COVER
503	P0453Z503	FRONT CABINET COVER
504	P0453Z504	PHLP HD SCR M6-1 X 20
505	P0453Z505	MOTOR MOUNT PLATE
506	P0453Z506	SET SCREW M6-1 X 12
507	P0453Z507	PLATE CONNECTING ROD
507-1	P0453Z507-1	BUSHING
508	P0453Z508	SET SCREW M8-1.25 X 12
509	P0453Z509	PLATE CONNECTING ROD
510	P0453Z510	HEX BOLT M10-1.5 X 70
511	P0453Z511	FLAT WASHER 10MM
512	P0453Z512	HEX NUT M10-1.5
513	P0453Z513	LOCK COLLAR
514	P0453Z514	SET SCREW M6-1 X 8
515	P0453Z515	ADJUST BOLT
516	P0453Z516	HEX NUT M12-1.75
517	P0453Z517	FLAT WASHER 12MM
518V2	P0453Z518V2	MOTOR 3HP 240V 1-PH V2.05.08
518-1	P0453Z518-1	MOTOR FAN COVER
518-2	P0453Z518-2	MOTOR FAN
518-3V2	P0453Z518-3V2	S CAPACITOR 250M 250V 1-3/4 X 3-1/2
518-4V2	P0453Z518-4V2	R CAPACITOR 40M 450V 1-3/8 X 2-3/8
518-5V2	P0453Z518-5V2	JUNCTION BOX V2.05.08
518-6	P0453Z518-6	BALL BEARING 6205ZZ
518-7	P0453Z518-7	BALL BEARING 6203ZZ
518-8	P0453Z518-8	CENTRIFUGAL SWITCH 16MM 3450
518-9	P0453Z518-9	CONTACT PLATE 16MM
519	P0453Z519	KEY 5 X 5 X 30
520	P0453Z520	FLAT WASHER 8MM
521	P0453Z521	HEX NUT M8-1.25
522	P0453Z522	HEX BOLT M8-1.25 X 45
523	P0453Z523	BALL STRAIN RELIEF
524	P0453Z524	HEX NUT M8-1.25
525	P0453Z525	FLAT WASHER 8MM
526	P0453Z526	SLEEVE
527	P0453Z527	UNIVERSAL WHEEL 78MM DIA
528	P0453Z528	HEX BOLT M8-1.25 X 65
529	P0453Z529	RUBBER FOOT
529-1	P0453Z529-1	HEX NUT M8-1.25
530	P0453Z530	FLAT WASHER 12MM

REF	PART #	DESCRIPTION
531	P0453Z531	SHAFT 12MM
532	P0453Z532	HEX BOLT M8-1.25 X 50
533	P0453Z533	FLAT WASHER 8MM
534	P0453Z534	HEX NUT M8-1.25
535	P0453Z535	HEX NUT M10-1.5
536	P0453Z536	FLAT WASHER 10MM
537	P0453Z537	HEX BOLT M8-1.25 X 100
538	P0453Z538	FLAT WASHER 8MM
539	P0453Z539	TROLLEY WHEEL BOLT
540	P0453Z540	INT RETAINING RING 35MM
541	P0453Z541	BALL BEARING 6202-2RS
542	P0453Z542	TROLLEY WHEEL
543	P0453Z543	TROLLEY WHEEL SLEEVE
544	P0453Z544	TROLLEY UNIVERSAL KIT
545	P0453Z545	FLAT WASHER 10MM
546	P0453Z546	HEX NUT M12-1.75
547	P0453Z547	HEX BOLT M10-1.5 X 55
548	P0453Z548	BRACKET
549	P0453Z549	PEDAL
549A	P0453Z549A	PEDAL ASSEMBLY
550	P0453Z550	EXT RETAINING RING 9MM
551V2	P0453Z551V2	MAGNETIC SWITCH ASSY V2.01.11
551-1	P0453Z551-1	MAG SWITCH COVER ASSEMBLY
551-2	P0453Z551-2	CONTACTOR NHD C-09D 230V
551-3	P0453Z551-3	OL RELAY NHD NTH-17 14-17
551-5	P0453Z551-5	SWITCH COVER SCREW WHITE
552	P0453Z552	FLAT HD SCR M5-.8 X 20
553	P0453Z553	FLAT WASHER 5MM
554	P0453Z554	HEX NUT M5-.8
555	P0453Z555	HEX BOLT M8-1.25 X 20
556	P0453Z556	SUPPORT ARM 22"
557	P0453Z557	HEX BOLT M6-1 X 16
558	P0453Z558	HEX BOLT M6-1 X 16
559	P0453Z559	BALL STRAIN RELIEF
560	P0453Z560	CONTROL BOX
561	P0453Z561	CONTROL PANEL
562V2	P0453Z562V2	START BUTTON CLEAR V2.01.11
563V2	P0453Z563V2	E-STOP BUTTON 3-ARROW V2.01.11
564	P0453Z564	TAP SCREW #10 X 3/8
565	P0453Z565	PLASTIC GROMMET
566V2	P0453Z566V2	POWER CORD 12G 3W 72" 6-20P V2.08.12





# G0453Z Label Placement



REF	PART #	DESCRIPTION
602	P0453Z602	GLASSES/RESPIRATOR LABEL
603V2	P0453Z603V2	MACHINE ID LABEL CSA V2.08.12
604	P0453Z604	READ MANUAL LABEL
605	P0453Z605	HEARING PROTECTION LABEL
606	P0453Z606	CUTTERHEAD DANGER LABEL
607	P0453Z607	HANDWHEEL DIRECTION LABEL
608	P0453Z608	GEARBOX SPEED LABEL

REF	PART #	DESCRIPTION
609	P0453Z609	GRIZZLY LOGO PLATE
610	P0453Z610	GRIZZLY GREEN TOUCH-UP PAINT
611	P0453Z611	GRIZZLY PUTTY TOUCH-UP PAINT
612	P0453Z612	MODEL NUMBER LABEL
613	P0453Z613	GRIZZLY.COM LABEL 10 X 1-1/2"
614	P0453Z614	ELECTRICITY LABEL

## WARNING

Safety labels warn about machine hazards and ways to prevent injury. The owner of this machine **MUST** maintain the original location and readability of the labels on the machine. If any label is removed or becomes unreadable, **REPLACE** that label before using the machine again. Contact Grizzly at (800) 523-4777 or [www.grizzly.com](http://www.grizzly.com) to order new labels.

