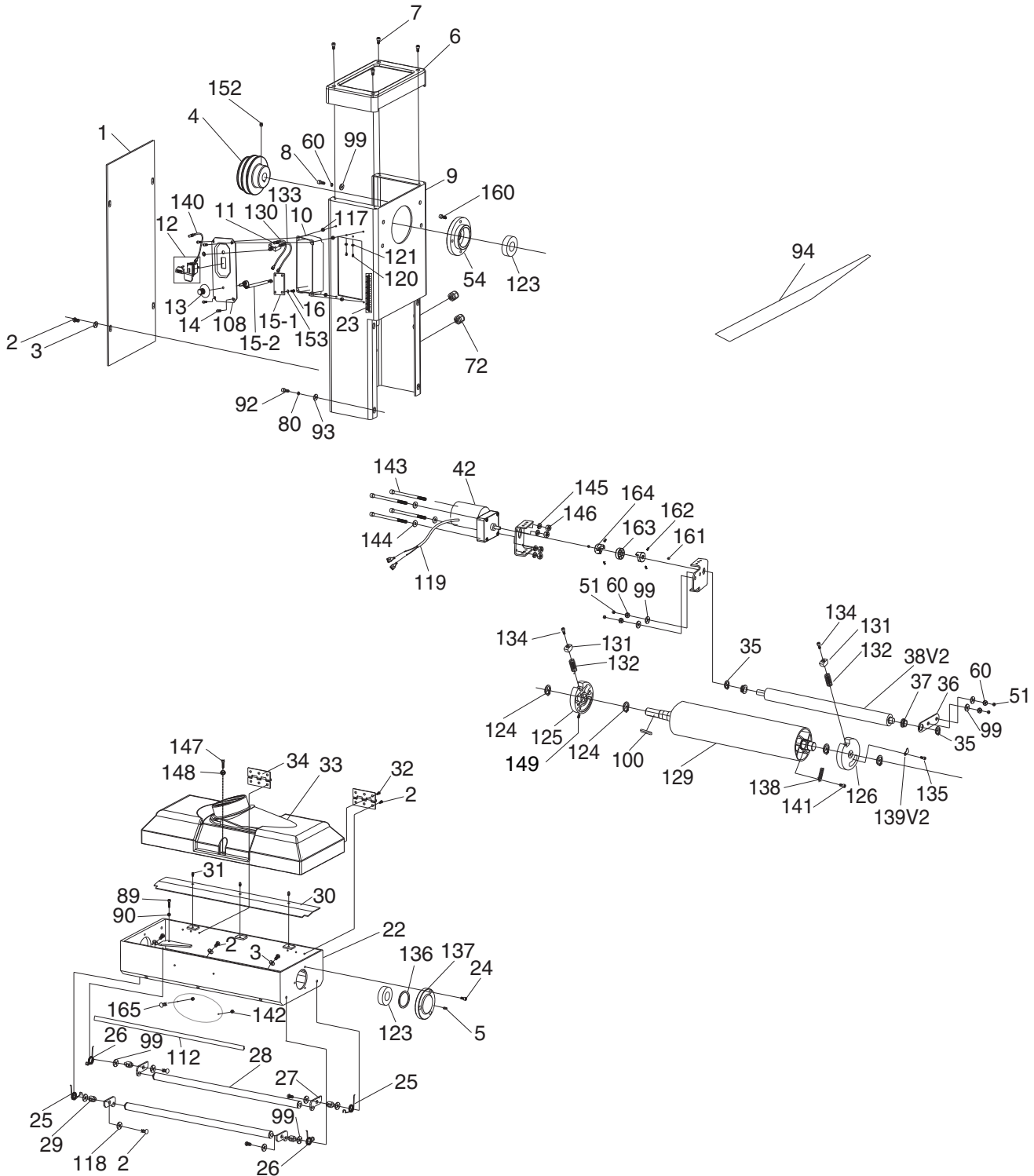


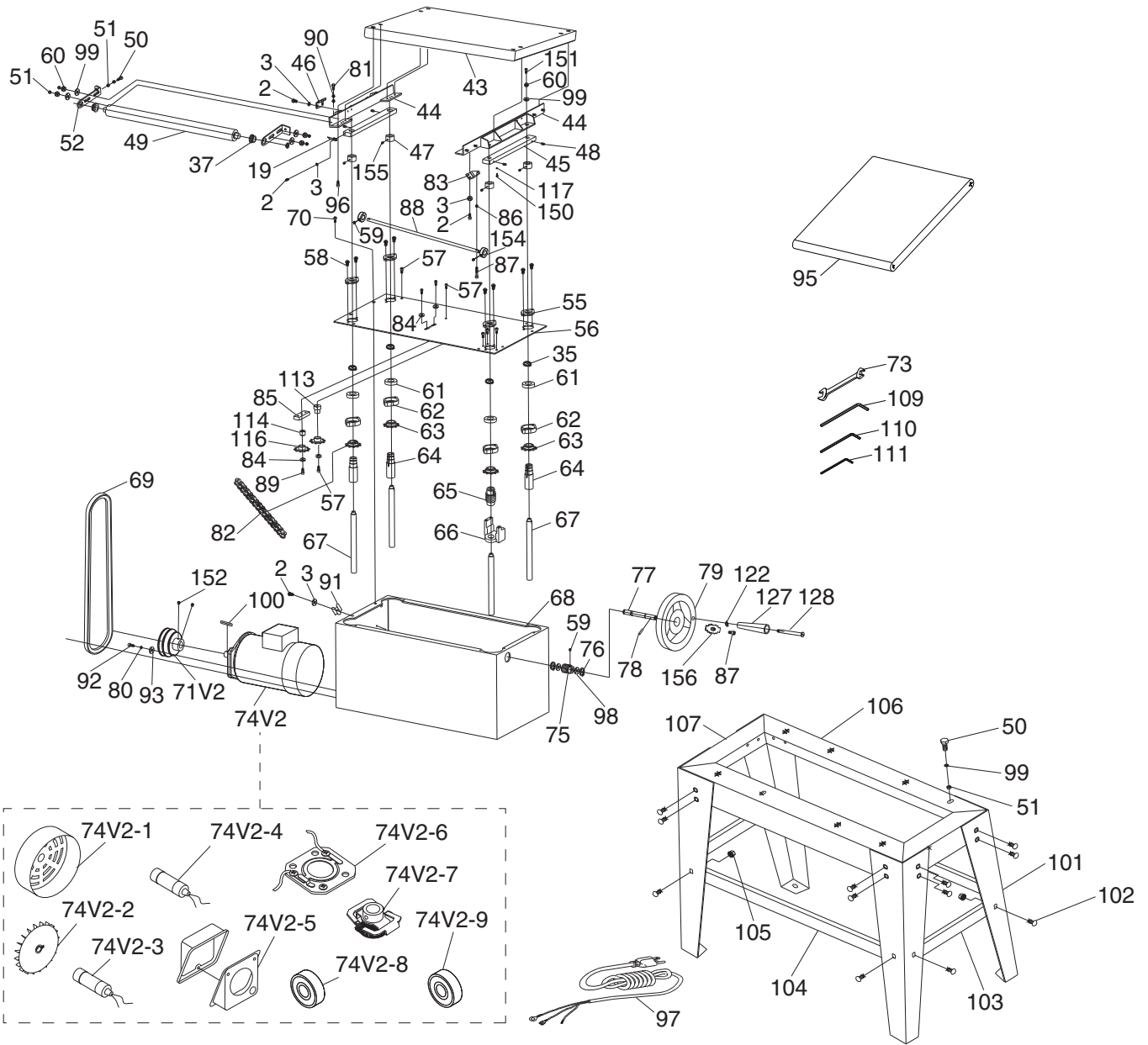
SECTION 9: PARTS

Please Note: We do our best to stock replacement parts whenever possible, but we cannot guarantee that all parts shown here are available for purchase. Call (800) 523-4777 or visit our online parts store at www.grizzly.com to check for availability.

Main Breakdown



Main Breakdown (Cont.)



Main Parts List

REF	PART #	DESCRIPTION
1	P0458Z001	SIDE COVER
2	P0458Z002	PHLP HD SCR M5-.8 X 8
3	P0458Z003	FLAT WASHER 5MM
4	P0458Z004	DRIVE PULLEY
5	P0458Z005	SET SCREW M6-1 X 10
6	P0458Z006	FIXED COVER
7	P0458Z007	CAP SCREW M5-.8 X 16
8	P0458Z008	CAP SCREW M8-1.25 X 16
9	P0458Z009	SIDE CABINET
10	P0458Z010	ELECTRICAL BOX COVER
11	P0458Z011	CIRCUIT BREAKER L1 SERIES 25A
12	P0458Z012	PADDLE SAFETY SWITCH KEDU HY18-4P
13	P0458Z013	POTENTIOMETER KNOB
14	P0458Z014	PHLP HD SCR M5-.8 X 15
15-1	P0458Z015-1	CIRCUIT BOARD TN40-55 (JSC)
15-2	P0458Z015-2	POTENTIOMETER W/WIRES AND PLUG
16	P0458Z016	TAP SCREW M3.5 X 8
19	P0458Z019	POINTER
22	P0458Z022	HEAD CASTING
23	P0458Z023	TABLE HEIGHT SCALE
24	P0458Z024	CAP SCREW M6-1 X 12
25	P0458Z025	TORSION SPRING (LEFT)
26	P0458Z026	TORSION SPRING (RIGHT)
27	P0458Z027	ROLLER MOUNTING PLATE
28	P0458Z028	ROLLER
29	P0458Z029	PIVOT SHOULDER PIN
30	P0458Z030	CHIP DEFLECTOR PLATE
31	P0458Z031	CAP SCREW M6-1 X 10
32	P0458Z032	TAP SCREW M5 X 10
33	P0458Z033	TOP COVER
34	P0458Z034	HINGE 3"
35	P0458Z035	EXT RETAINING RING 20MM
36	P0458Z036	FEED ROLLER BRACKET
37	P0458Z037	BUSHING
38V2	P0458Z038V2	FEED BELT ROLLER V2.06.19
39	P0458Z039	MOTOR SUPPORT BRACKET
40	P0458Z040	MOTOR MOUNTING BRACKET
42	P0458Z042	FEED MOTOR 1.5HP 110DC
42-1	P0458Z042-1	MOTOR BRUSHES (2-PC SET)
43	P0458Z043	CONVEYOR TABLE
44	P0458Z044	TABLE GUIDE
45	P0458Z045	STEEL BAR
46	P0458Z046	PLATE
47	P0458Z047	LOCK COLLAR 16MM
48	P0458Z048	SET SCREW M5-.8 X 8
49	P0458Z049	FEED BELT ROLLER
50	P0458Z050	HEX BOLT M8-1.25 X 20
51	P0458Z051	HEX NUT M8-1.25
52	P0458Z052	FEED ROLLER BRACKET (REAR)
54	P0458Z054	BEARING COVER (LEFT)
55	P0458Z055	LEADSCREW FIXED PLATE
56	P0458Z056	BASE COVER PLATE

REF	PART #	DESCRIPTION
57	P0458Z057	CAP SCREW M6-1 X 12
58	P0458Z058	CAP SCREW M6-1 X 15
59	P0458Z059	SET SCREW M5-.8 X 5
60	P0458Z060	LOCK WASHER 8MM
61	P0458Z061	BALL BEARING 6904ZZ
62	P0458Z062	BEARING SEAT
63	P0458Z063	SPROCKET
64	P0458Z064	ELEVATION SCREW CAP
65	P0458Z065	GEAR 65T
66	P0458Z066	BRACKET
67	P0458Z067	ELEVATION SCREW ROD
68	P0458Z068	LOWER CASTING
69	P0458Z069	V-BELT B40
70	P0458Z070	CAP SCREW M8-1.25 X 12
71V2	P0458Z071V2	DRIVE PULLEY V2.07.19
72	P0458Z072	STRAIN RELIEF TYPE-3 M20-2.5
73	P0458Z073	WRENCH 8 X 12 OPEN-ENDS
74V2	P0458Z074V2	MOTOR 1.5HP 120V 1-PH V2.03.20
74V2-1	P0458Z074V2-1	MOTOR FAN COVER
74V2-2	P0458Z074V2-2	MOTOR FAN
74V2-3	P0458Z074V2-3	S CAPACITOR 350M 250V
74V2-4	P0458Z074V2-4	R CAPACITOR 40M 450V
74V2-5	P0458Z074V2-5	JUNCTION BOX
74V2-6	P0458Z074V2-6	CONTACT PLATE
74V2-7	P0458Z074V2-7	CENTRIFUGAL SWITCH
74V2-8	P0458Z074V2-8	BALL BEARING 6203-2RS (FRONT)
74V2-9	P0458Z074V2-9	BALL BEARING 6202-2RS (REAR)
75	P0458Z075	WORM GEAR
76	P0458Z076	EXT RETAINING RING 12MM
77	P0458Z077	SHAFT
78	P0458Z078	ROLL PIN 3 X 16
79	P0458Z079	HANDWHEEL W/HANDLE TYPE-3 177D X M6-1
80	P0458Z080	LOCK WASHER 10MM
81	P0458Z081	HEX BOLT M6-1 X 45
82	P0458Z082	CHAIN 410-132
83	P0458Z083	FIXED PLATE
84	P0458Z084	FLAT WASHER 10MM
85	P0458Z085	ADJUSTMENT BLOCK
86	P0458Z086	HEX NUT M5-.8
87	P0458Z087	CAP SCREW M6-1 X 35
88	P0458Z088	ADJUSTMENT ROD
89	P0458Z089	CAP SCREW M6-1 X 20
90	P0458Z090	HEX NUT M6-1
91	P0458Z091	CORD CLAMP
92	P0458Z092	CAP SCREW M10-1.5 X 25
93	P0458Z093	FLAT WASHER 10MM
94	P0458Z094	SANDING BELT 100-GRIT 3" X 84"
95	P0458Z095	CONVEYOR BELT
96	P0458Z096	CAP SCREW M6-1 X 30
97	P0458Z097	POWER CORD 14G 3W 72" 5-15P
98	P0458Z098	FLAT WASHER 12MM
99	P0458Z099	FLAT WASHER 8MM



Main Parts List (Cont.)

REF	PART #	DESCRIPTION
100	P0458Z100	KEY 6 X 6 X 40
101	P0458Z101	STAND LEG
102	P0458Z102	CARRIAGE BOLT M8-1.25 X 16
103	P0458Z103	SHORT BRACKET (BOTTOM)
104	P0458Z104	LONG BRACKET (BOTTOM)
105	P0458Z105	FLANGE NUT M8-1.25
106	P0458Z106	LONG BRACKET (TOP)
107	P0458Z107	SHORT BRACKET (TOP)
108	P0458Z108	CONTROL PANEL PLATE
109	P0458Z109	HEX WRENCH 6MM
110	P0458Z110	HEX WRENCH 5MM
111	P0458Z111	HEX WRENCH 4MM
112	P0458Z112	INFEED COVER
113	P0458Z113	SPACER BLOCK
114	P0458Z114	BUSHING
116	P0458Z116	SPROCKET
117	P0458Z117	HEX NUT M5-.8
118	P0458Z118	FLAT WASHER 5 X 14 OD X 0.8 T
119	P0458Z119	SPADE TERMINAL (F)
120	P0458Z120	CAP SCREW M5-.8 X 8
121	P0458Z121	FLAT WASHER 5MM
122	P0458Z122	FLAT WASHER 8MM
123	P0458Z123	BALL BEARING 6205ZZ
124	P0458Z124	EXT RETAINING RING 25MM
125	P0458Z125	SANDING BELT CLAMP BRACKET (RIGHT)
126	P0458Z126	SANDING BELT CLAMP BRACKET (LEFT)
127	P0458Z127	HOLLOW HANDLE 26 X 106, 9
128	P0458Z128	SHOULDER SCREW M8-1.25 X 16, 10 X 116
129	P0458Z129	BELT DRUM
130	P0458Z130	CONNECTION WIRE 2, 14AWG, 100L
131	P0458Z131	BELT LOCKING BLOCK

REF	PART #	DESCRIPTION
132	P0458Z132	COMPRESSION SPRING
133	P0458Z133	CONNECTION WIRE 1, 14AWG, 100L
134	P0458Z134	CAP SCREW M6-1 X 25
135	P0458Z135	CAP SCREW M5-.8 X 10
136	P0458Z136	WAVY WASHER 40MM
137	P0458Z137	BEARING COVER (RIGHT)
138	P0458Z138	EXTENSION SPRING
139V2	P0458Z139V2	SPRING RETAINER V2.11.20
140	P0458Z140	CONNECTION WIRE 3, 14AWG, 50L
141	P0458Z141	CAP SCREW M5-.8 X 12
142	P0458Z142	HEX NUT M3-.5
143	P0458Z143	SHOULDER SCREW M5-.8 X 30, 6 X 30
144	P0458Z144	FLAT WASHER 5MM
145	P0458Z145	LOCK WASHER 5MM
146	P0458Z146	HEX NUT M5-.8
147	P0458Z147	CAP SCREW M6-1 X 20
148	P0458Z148	FLAT WASHER 6MM
149	P0458Z149	SET SCREW M8-1.25 X 20
150	P0458Z150	HEX BOLT M5-.8 X 25
151	P0458Z151	CAP SCREW M8-1.25 X 16
152	P0458Z152	SET SCREW M8-1.25 X 10
153	P0458Z153	FLAT WASHER 3MM
154	P0458Z154	COLLAR
155	P0458Z155	SET SCREW M6-1 X 6
156	P0458Z156	FLAT WASHER 5MM
160	P0458Z160	CAP SCREW M6-1 X 16
161	P0458Z161	KEY 4 X 4 X 8
162	P0458Z162	SET SCREW M4-.7 X 8
163	P0458Z163	RUBBER CUSHION
164	P0458Z164	BUSHING
165	P0458Z165	PHLP HD SCR M3-.5 X 16



Labels & Cosmetics



MODEL G0458Z 18" OPEN-END DRUM SANDER	
Specifications	WARNING!
Motor: 1.5 HP, 120V, 1-Phase, 60 Hz, 13.92A Drum Speed: 2200, 3400 RPM Feed Rate: 0-12 FPM Sanding Drum Diameter: 4" Maximum Sanding Width Per Pass: 18" Maximum Stock Width: 36" Maximum Stock Thickness: 4-1/2" Minimum Stock Thickness: 1/8" Minimum Stock Length: 6" Sandpaper Width: 3" Sandpaper Length: 89" Weight: 158 lbs.	To reduce the risk of serious injury while using this machine: 1. Read and understand owner's manual before operating. 2. Always wear approved eye protection and respirator. 3. Only plug power cord into a grounded outlet. 4. Never place hands near or in any opening during operation. 5. Never touch moving sandpaper or conveyor belt. 6. Never sand more than one board at a time. 7. Make sure sander is properly assembled, adjusted, and stable before operating. Only operate with all guards in place. 8. Be aware of pinch points located at the edge of conveyor. 9. Only remove jammed pieces when machine is stopped and disconnected from power. 10. Turn motor OFF and disconnect power before changing sandpaper, making adjustments, or servicing. 11. Do not wear loose clothing, gloves, jewelry, or other articles that can get entangled. Tie back long hair and roll up sleeves. 12. Do not expose to rain or use in damp locations. 13. Do not operate under influence of drugs or alcohol, or when tired. 14. Prevent unauthorized use by children or untrained users; restrict access or disable machine when unattended.
Date: _____ SN: _____ Mfg. for Grizzly in China	

REF	PART #	DESCRIPTION
201	P0458Z201	ENTANGLEMENT WARNING LABEL
202	P0458Z202	ELECTRICITY LABEL
203	P0458Z203	READ MANUAL WARNING LABEL
204	P0458Z204	EYE/LUNG HAZARD WARNING LABEL
205	P0458Z205	GRIZZLY NAME PLATE (MINI)
206	P0458Z206	MODEL NUMBER LABEL

REF	PART #	DESCRIPTION
207	P0458Z207	INJURY/SHOCK HAZARD WARNING
208	P0458Z208	TOUCH-UP PAINT, GREY PUTTY
209	P0458Z209	GRIZZLY.COM LABEL
210	P0458Z210	TOUCH-UP PAINT, GLOSSY BLACK
211	P0458Z211	MACHINE ID LABEL

⚠ WARNING

Safety labels help reduce the risk of serious injury caused by machine hazards. If any label comes off or becomes unreadable, the owner of this machine **MUST** replace it in the original location before resuming operations. For replacements, contact (800) 523-4777 or www.grizzly.com.

