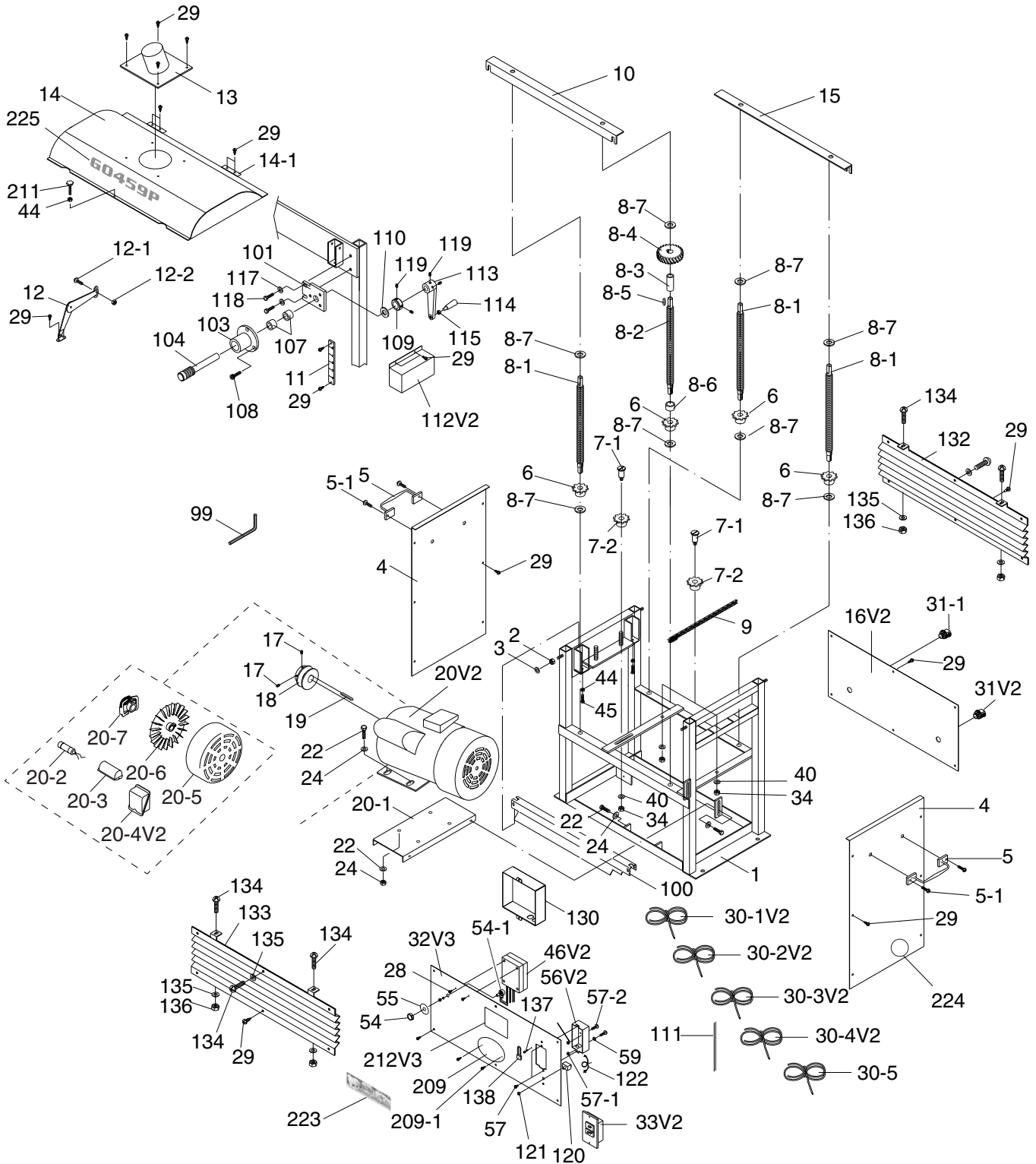


SECTION 9: PARTS

Frame



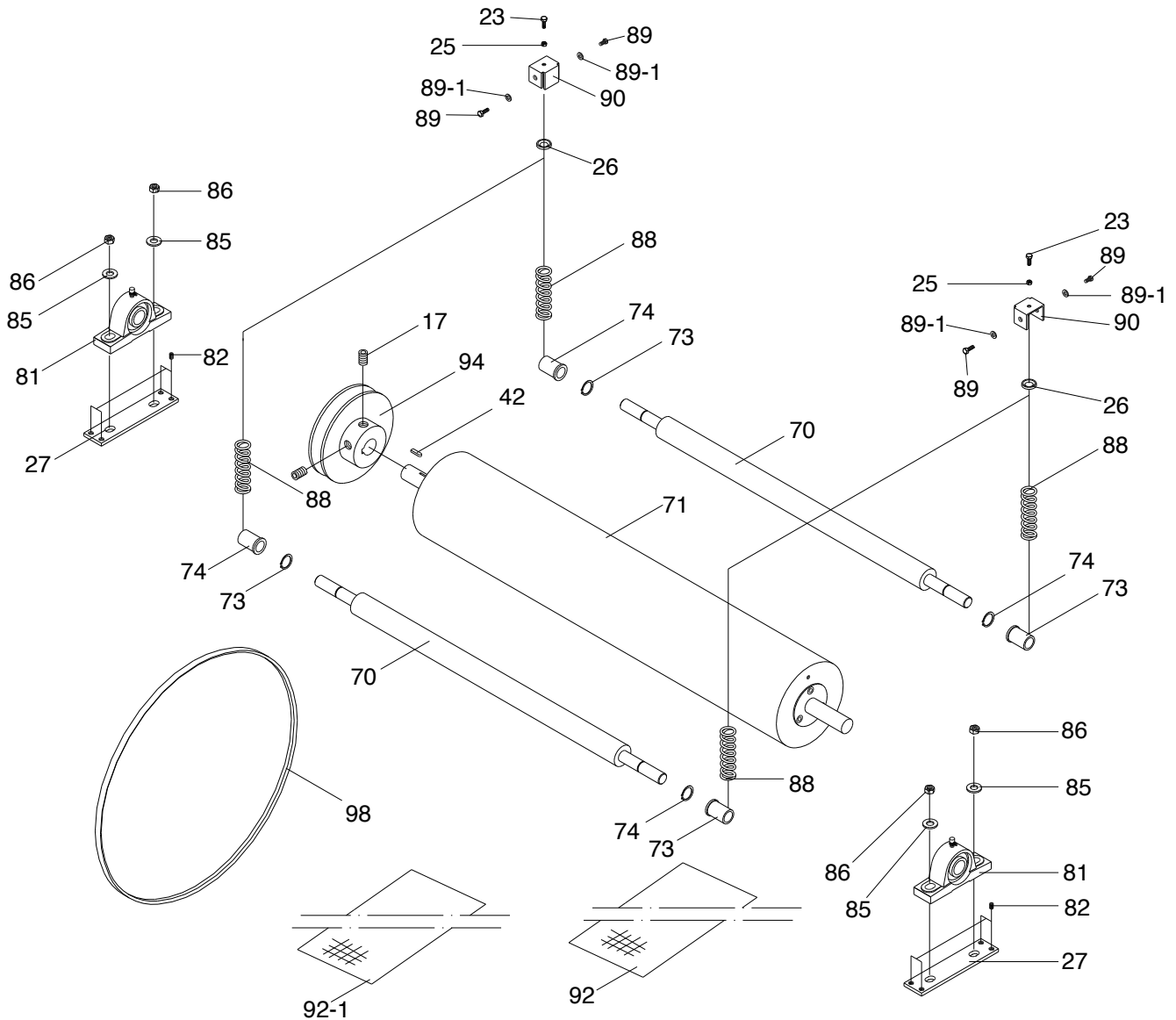
Frame Parts List

| REF | PART # | DESCRIPTION |
|--------|--------------|--------------------------------|
| 1 | P0459001 | FRAME |
| 2 | P0459002 | HEX NUT 5/16-18 |
| 3 | P0459003 | FLAT WASHER 5/16 |
| 4 | P0459004 | SIDE PANEL |
| 4 | P0459004 | SIDE PANEL |
| 5 | P0459005 | HANDLE |
| 5-1 | P0459005-1 | CAP SCREW 5/16-18 X 5/8 |
| 6 | P0459006 | SPROCKET V1 |
| 7-1 | P0459007-1 | SPROCKET SHAFT |
| 7-2 | P0459007-2 | SPROCKET |
| 8-1 | P0459008-1 | TABLE LEAD SCREW (1) |
| 8-2 | P0459008-2 | TABLE LEAD SCREW (2) |
| 8-3 | P0459008-3 | BUSHING |
| 8-4 | P0459008-4 | WORM GEAR 25-TEETH |
| 8-5 | P0459008-5 | KEY 5 X 5 X 10 |
| 8-6 | P0459008-6 | BUSHING |
| 8-7 | P0459008-7 | FLAT WASHER 1/2 |
| 9 | P0459009 | ELEVATION CHAIN |
| 10 | P0459010 | FRONT BRACE |
| 10 | P0459010 | FRONT BRACE |
| 11 | P0459011 | DEPTH SCALE |
| 12 | P0459012 | RIGHT SUPPORT ARM |
| 12-1 | P0459012-1 | PHLP HD SCR 6-32 X 1/4 |
| 12-2 | P0459012-2 | HEX NUT 6-32 |
| 13 | P0459013 | UNIVERSAL DUST PORT 2-1/2" |
| 14 | P0459014 | TOP COVER |
| 14 | P0459014 | TOP COVER |
| 14-1 | P0459014-1 | HINGE |
| 15 | P0459015 | REAR BRACE |
| 15 | P0459015 | REAR BRACE |
| 16V2 | P0459016V2 | REAR PANEL V2.03.09 |
| 16V2 | P0459016V2 | REAR PANEL V2.03.09 |
| 17 | P0459017 | SET SCREW 1/4-20 X 3/8 |
| 18 | P0459018 | MOTOR PULLEY |
| 19 | P0459019 | KEY 5 X 5 X 30 |
| 20V2 | P0459020V2 | MOTOR 1.5HP 115V 1-PH V2.03.09 |
| 20-1 | P0459020-1 | MOTOR BRACKET |
| 20-2 | P0459020-2 | S CAP 300M 125V 1-1/2 X 3-1/8 |
| 20-3 | P0459020-3 | CAPACITOR COVER |
| 20-4V2 | P0459020-4V2 | JUNCTION BOX V2.03.09 |
| 20-5 | P0459020-5 | FAN COVER |
| 20-6 | P0459020-6 | MOTOR FAN |
| 20-7 | P0459020-7 | CENTRIFUGAL SWITCH |
| 22 | P0459022 | HEX BOLT 5/16-18 X 3/4 |
| 24 | P0459024 | FLAT WASHER 5/16 |
| 28 | P0459028 | FLANGE SCREW M3-.6 X 16 |
| 29 | P0459029 | TAP SCREW #8 X 3/8 |
| 30-1V2 | P0459030-1V2 | POWER CORD V2.03.09 |
| 30-2V2 | P0459030-2V2 | MOTOR CORD V2.03.09 |
| 30-3V2 | P0459030-3V2 | VS POWER CORD V2.03.09 |
| 30-4V2 | P0459030-4V2 | DC MOTOR CORD V2.03.09 |
| 30-5 | P0459030-5 | CONTROL WIRE |
| 31V2 | P0459031V2 | STRAIN RELIEF MGB16 V2.07.11 |
| 31-1 | P0459031-1 | STRAIN RELIEF 3/4" |
| 32V3 | P0459032V3 | FRONT PANEL V3.01.11 |

| REF | PART # | DESCRIPTION |
|-------|------------|---------------------------------|
| 32V3 | P0459032V3 | FRONT PANEL V3.01.11 |
| 33V2 | P0459033V2 | PUSH BUTTON SWITCH V2.03.09 |
| 34 | P0459034 | HEX NUT 5/16-18 |
| 40 | P0459040 | FLAT WASHER 5/16 |
| 44 | P0459044 | HEX NUT 1/4-20 |
| 45 | P0459045 | HEX BOLT 1/4-20 X 3/4 |
| 46V2 | P0459046V2 | PC BRD CONSOLE UNIT V2.03.09 |
| 54 | P0459054 | VARIABLE SPEED CTL KNOB |
| 54-1 | P0459054-1 | POTENTIOMETER |
| 55 | P0459055 | SPEED INDICATOR LABEL |
| 56V2 | P0459056V2 | SWITCH BOX V2.03.09 |
| 56V2 | P0459056V2 | SWITCH BOX V2.03.09 |
| 57 | P0459057 | FLANGE SCREW 10-24 X 1/2 |
| 57-1 | P0459057-1 | HEX NUT #10-24 |
| 57-2 | P0459057-2 | PHLP HD SCR 10-24 X 3/8 |
| 59 | P0459059 | EXT TOOTH WASHER 5MM |
| 99 | P0459099 | HEX WRENCH 3MM |
| 100 | P0459100 | DUST SCOOP |
| 100 | P0459100 | DUST SCOOP |
| 101 | P0459101 | WORM GEAR SHAFT BRACKET |
| 103 | P0459103 | SHAFT MOUNT |
| 104 | P0459104 | WORM GEAR |
| 107 | P0459107 | BUSHING |
| 108 | P0459108 | HEX BOLT 1/4-20 X 1/2 |
| 109 | P0459109 | COLLAR |
| 110 | P0459110 | WORM GEAR MOUNT WASHER |
| 111 | P0459111 | WIRES |
| 112V2 | P0459112V2 | GEAR COVER V2.07.11 |
| 112V2 | P0459112V2 | GEAR COVER V2.07.11 |
| 113 | P0459113 | CRANK HANDLE |
| 113 | P0459113 | CRANK HANDLE |
| 114 | P0459114 | HANDLE |
| 115 | P0459115 | HEX NUT 3/8-16 |
| 117 | P0459117 | FLAT WASHER 5/16 |
| 118 | P0459118 | HEX BOLT 5/16-18 X 1 |
| 119 | P0459119 | SET SCREW 1/4-20 X 1/4 |
| 120 | P0459120 | OL RELAY YS 20A |
| 121 | P0459121 | HEX NUT SIZE M11-1 |
| 122 | P0459122 | JUMPER |
| 130 | P0459130 | PC BOARD COVER |
| 132 | P0459132 | FRONT ELEVATION CHAIN GUARD |
| 133 | P0459133 | REAR ELEVATION CHAIN GUARD |
| 134 | P0459134 | PHLP HD SCR 10-24 X 3/8 |
| 135 | P0459135 | FLAT WASHER #10 |
| 136 | P0459136 | HEX NUT #10-24 |
| 137 | P0459137 | PADLOCK STORAGE HOOK |
| 138 | P0459138 | SWITCH PADLOCK |
| 209 | P0459209 | GRIZZLY NAMEPLATE-MINI |
| 209-1 | P0459209-1 | TAP SCREW #5 X 3/8 |
| 211 | P0459211 | COVER LOCK KNOB |
| 212V3 | P0459212V3 | MACHINE ID LABEL CSA V3.07.11 |
| 212V3 | P0459212V3 | MACHINE ID LABEL CSA V3.01.11 |
| 223 | P0459P223 | POLAR BEAR LOGO 2-1/2 X 9-1/2 |
| 224 | P0459P224 | POLAR BEAR WHITE TOUCH-UP PAINT |
| 225 | P0459P225 | MODEL NUMBER LABEL |



Drum

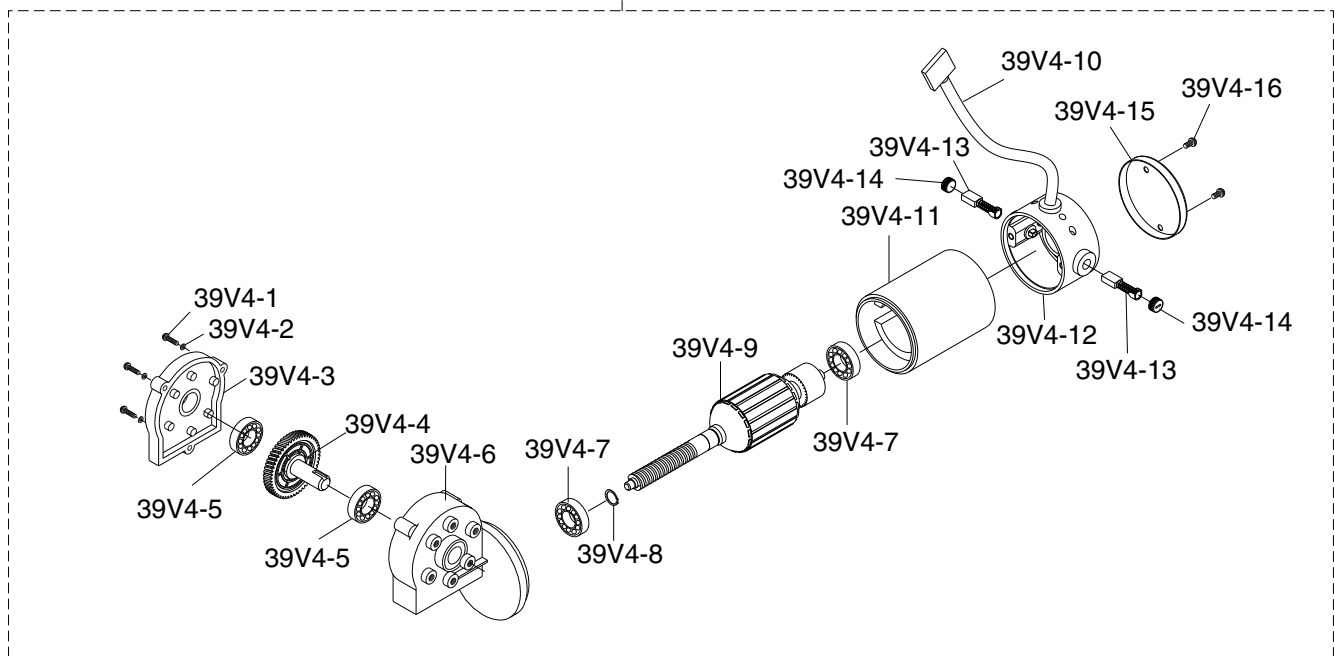
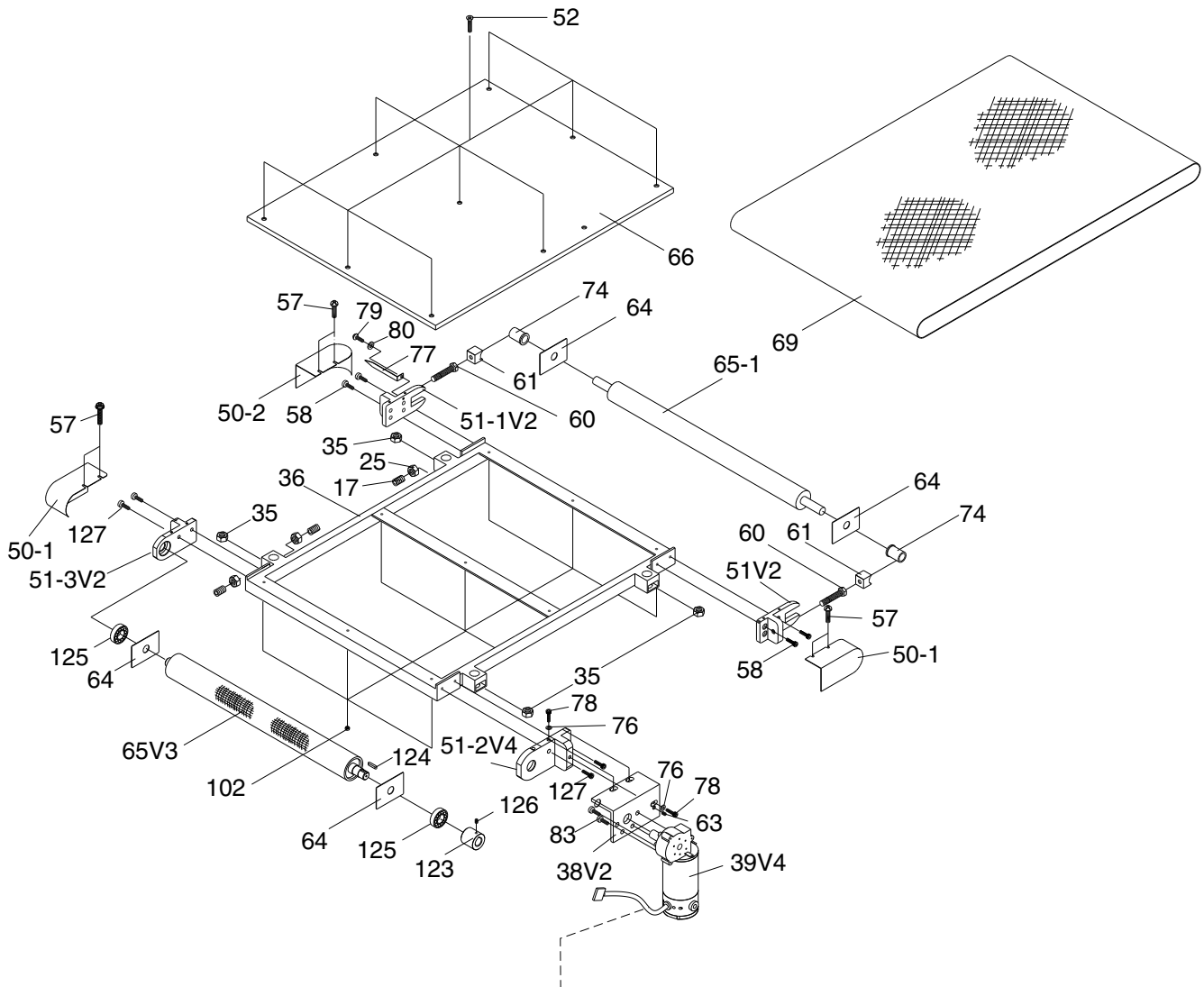


| REF | PART # | DESCRIPTION |
|-----|----------|-----------------------------|
| 17 | PSS03 | SET SCREW 1/4-20 X 3/8 |
| 23 | PB02 | HEX BOLT 1/4-20 X 5/8 |
| 25 | PN05 | HEX NUT 1/4-20 |
| 26 | P0459026 | SPRING PLATE |
| 27 | P0459027 | ADJUST PLATE |
| 42 | PK34M | KEY 5 X 5 X 20 |
| 70 | P0459070 | PRESSURE ROLLER |
| 71 | P0459071 | SANDING DRUM |
| 73 | PR08M | EXT RETAINING RING 19MM |
| 74 | P1066062 | BUSHING |
| 81 | PUCP205 | PILLOW BLOCK BEARING UCP205 |

| REF | PART # | DESCRIPTION |
|------|------------|---------------------------|
| 82 | PSS51 | SET SCREW 5/16-24 X 1/2 |
| 85 | PW02 | FLAT WASHER 3/8 |
| 86 | PLN01 | LOCK NUT 3/8-16 |
| 88 | P0459088 | COMP SPRING 24-20-8MM 63L |
| 89 | PB51 | HEX BOLT 1/4-20 X 3/8 |
| 89-1 | PW06 | FLAT WASHER 1/4 |
| 90 | P0459090 | BRACKET |
| 92 | P0459092 | HOOK & LOOP SANDBELT |
| 92-1 | P0459092-1 | HOOK & LOOP DRUM COVER |
| 94 | P0459094 | DRUM PULLEY |
| 98 | PVA36 | V-BELT 4L360 |



Conveyor



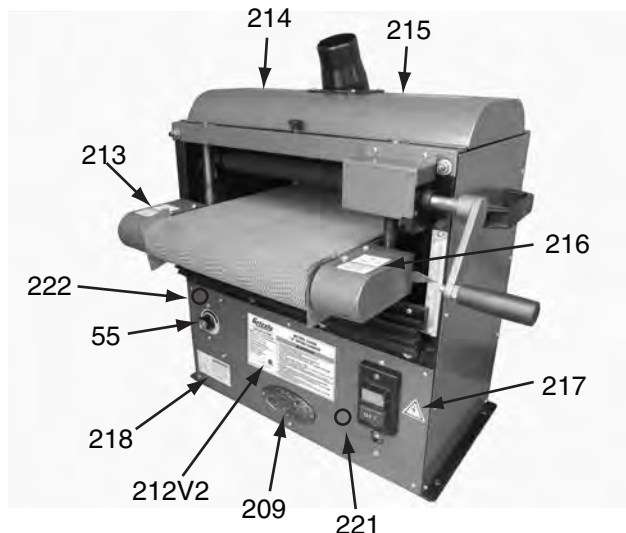
Conveyor Parts List

| REF | PART # | DESCRIPTION |
|---------|---------------|-------------------------------------|
| 17 | PSS03 | SET SCREW 1/4-20 X 3/8 |
| 25 | PN05 | HEX NUT 1/4-20 |
| 35 | PN03 | HEX NUT 3/4-16 |
| 36 | P0459036 | TABLE FRAME |
| 38V2 | P0459038V2 | CONVEYOR MOTOR BRACKET V2.03.09 |
| 39V4 | P0459039V4 | DC FEED MOTOR 105W V4.11.09 |
| 39V4-1 | PS56M | PHLP HD SCR M4-.7 X 16 |
| 39V4-2 | PLW02M | LOCK WASHER 4MM |
| 39V4-3 | P0459039V4-3 | END CASE V4.11.09 |
| 39V4-4 | P0459039V4-4 | DRIVE GEAR V4.11.09 |
| 39V4-5 | P6003ZZ | BALL BEARING 6003ZZ |
| 39V4-6 | P0459039V4-6 | MAIN CASE V4.11.09 |
| 39V4-7 | P6000ZZ | BALL BEARING 6000ZZ |
| 39V4-8 | PR06M | EXT RETAINING RING 16MM |
| 39V4-9 | P0459039V4-9 | ARMATURE V4.11.09 |
| 39V4-10 | P0459039V4-10 | FEED MOTOR POWER CORD V4.11.09 |
| 39V4-11 | P0459039V4-11 | STATOR HOUSING V4.11.09 |
| 39V4-12 | P0459039V4-12 | MIDDLE CAP V4.11.09 |
| 39V4-13 | P0459039V4-13 | CARBON BRUSH ASSEMBLY V4.11.09 |
| 39V4-14 | P0459039V4-14 | PLASTIC LOCK CAP V4.11.09 |
| 39V4-15 | P0459039V4-15 | END CAP V4.11.09 |
| 39V4-16 | PS19M | PHLP HD SCR M5-.8 X 6 |
| 50-1 | P0459050-1 | LEFT ROLLER END GUARD COVER |
| 50-2 | P0459050-2 | RIGHT ROLLER END GUARD COVER |
| 51V2 | P0459051V2 | LEFT ROLLER BRACKET V2.07.11 |
| 51-1V2 | P0459051-1V2 | RIGHT FRONT ROLLER BRACKET V2.07.11 |

| REF | PART # | DESCRIPTION |
|--------|--------------|------------------------------------|
| 51-2V4 | P0459051-2V4 | LEFT REAR ROLLER BRACKET V4.01.11 |
| 51-3V2 | P0459051-3V2 | RIGHT REAR ROLLER BRACKET V2.07.11 |
| 52 | PFH12 | FLAT HD SCR 1/4-20 X 1 |
| 57 | PFS17 | FLANGE SCREW 10-24 X 1/2 |
| 58 | PCAP01 | CAP SCREW 1/4-20 X 5/8 |
| 60 | P0459060 | ROLLER BRACKET BOLT |
| 61 | P0459061 | BUSHING SUPPORT |
| 63 | P0459063 | SET SCREW 1/4-20 X 3/16 |
| 64 | P0459064 | PLATE |
| 65V3 | P0459065V3 | DRIVE ROLLER V3.09.09 |
| 65-1 | P0459065-1 | IDLER ROLLER |
| 66 | P0459066 | TABLE |
| 69 | P0459069 | CONVEYOR BELT 1220 X 312MM |
| 74 | P1066062 | BUSHING |
| 76 | PW06 | FLAT WASHER 1/4 |
| 77 | P0459077 | SCALE POINTER |
| 78 | PCAP01 | CAP SCREW 1/4-20 X 5/8 |
| 79 | PS06 | PHLP HD SCR 10-24 X 3/8 |
| 80 | PW03 | FLAT WASHER #10 |
| 83 | PCAP28M | CAP SCREW M6-1 X 15 |
| 102 | PLN02 | LOCK NUT 1/4-20 |
| 123 | P0459123 | COLLAR |
| 124 | PK23M | KEY 5 X 5 X 25 |
| 125 | P6003-2RS | BALL BEARING 6003-2RS |
| 126 | PSS11 | SET SCREW 1/4-20 X 1/4 |
| 127 | PCAP06 | CAP SCREW 1/4-20 X 1 |

Label Placement

| REF | PART # | DESCRIPTION |
|-------|-------------|-------------------------------|
| 55 | P0459055 | SPEED INDICATOR LABEL |
| 209 | G9987 | GRIZZLY NAMEPLATE-MINI |
| 212V3 | P0459212V3 | MACHINE ID LABEL CSA V3.07.11 |
| 212V3 | P0459P212V3 | MACHINE ID LABEL CSA V3.07.11 |
| 213 | P0459213 | RESPIRATOR-GLASSES LABEL |
| 214 | PLABEL-22 | HAND PINCH IN BELT LABEL |
| 215 | P0459215 | KICKBACK HAZARD LABEL |
| 216 | P0459216 | DISCONNECT POWER LABEL |
| 217 | PLABEL-14 | ELECTRICITY LABEL |
| 218 | PLABEL-12B | READY MANUAL HZ LABEL |
| 221 | PPAINT-1 | GRIZZLY GREEN TOUCH-UP PAINT |
| 222 | PPAINT-7 | BLACK TOUCH-UP PAINT |



⚠ WARNING

Safety labels warn about machine hazards and ways to prevent injury. The owner of this machine **MUST** maintain the original location and readability of the labels on the machine. If any label is removed or becomes unreadable, **REPLACE** that label before using the machine again. Contact Grizzly at (800) 523-4777 or www.grizzly.com to order new labels.

