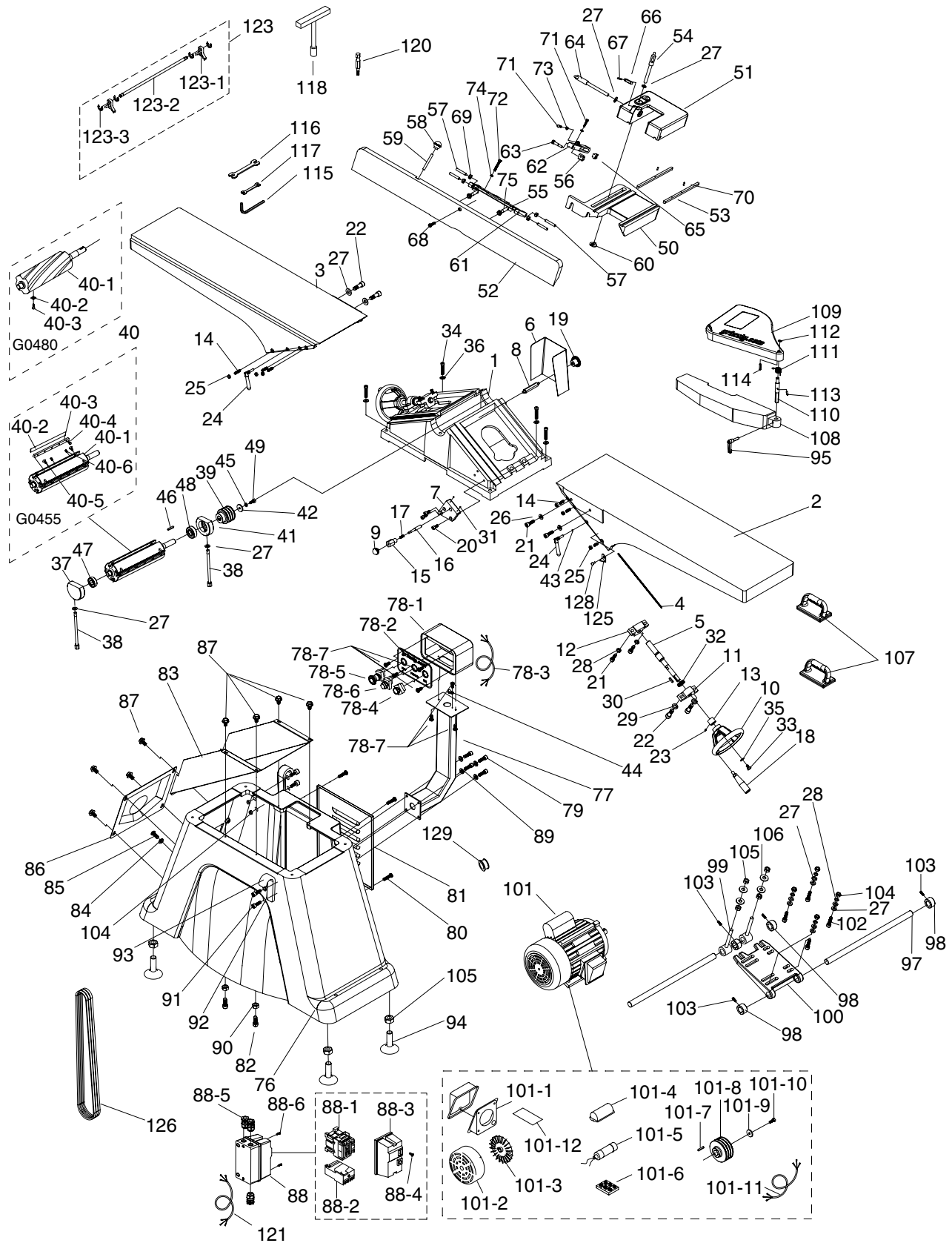


Jointer Parts Breakdown



Jointer Parts List

| REF | PART # | DESCRIPTION |
|------|------------|------------------------------|
| 1 | P0455001 | BASE |
| 2 | P0455002 | INFEED TABLE (G0455) |
| 2 | P0480002 | INFEED TABLE (G0480) |
| 3 | P0455003 | OUTFEED TABLE |
| 4 | P0455004 | GIB |
| 5 | P0455005 | LEAD SCREW |
| 6 | P0455006 | BELT GUARD |
| 7 | P0455007 | STOP PIN BLOCK |
| 8 | P0455008 | STUD M8-1.25 |
| 9 | P0455009 | PLUNGER KNOB |
| 10 | P0455010 | HANDWHEEL |
| 11 | P0455011 | BRACKET |
| 12 | P0455012 | BRACKET |
| 13 | P0455013 | COLLAR |
| 14 | PSS19 | SET SCREW 5/16-18 X 1-1/4 |
| 15 | P0455015 | PLUNGER HOUSING |
| 16 | P0455016 | PLUNGER |
| 17 | P0455017 | COMPRESSION SPRING |
| 18 | P0455018 | HANDLE |
| 19 | P0455019 | ROUND KNOB M8-1.25 |
| 20 | PSB14M | CAP SCREW M8-1.25 X 20 |
| 21 | PSB19 | CAP SCREW 3/8-16 X 1-1/4 |
| 22 | PSB76 | CAP SCREW 1/2-12 X 1-1/2 |
| 23 | PSS03 | SET SCREW 1/4-20 X 3/8 |
| 24 | P0455024 | SWIVELING LOCK HANDLE |
| 25 | PN02 | HEX NUT 5/16-18 |
| 26 | PW04M | FLAT WASHER 10MM |
| 27 | PW01 | FLAT WASHER 1/2 |
| 28 | PLW04 | LOCK WASHER 3/8 |
| 29 | PLW07 | LOCK WASHER 1/2 |
| 30 | PK01M | KEY 5 X 5 X 22 |
| 31 | P0455031 | RIVET 2 X 5 |
| 32 | P51103 | THRUST BEARING 51103 |
| 33 | PB06M | HEX BOLT M8-1.25 X 12 |
| 34 | PSB143M | CAP SCREW M10-1.5 X 50 |
| 35 | PW01M | FLAT WASHER 8MM |
| 36 | PW04M | FLAT WASHER 10MM |
| 37 | P0455037 | BEARING HOUSING |
| 38 | P0455038 | CUTTERHEAD BOLT |
| 39 | P0455039 | CUTTERHEAD PULLEY |
| 40 | P0455040 | CUTTERHEAD ASSY (G0455) |
| 40 | P0480040 | SP CUTTERHEAD ASSY (G0480) |
| 40-1 | P0455040-1 | CUTTERHEAD (G0455) |
| 40-1 | P0480040-1 | SPIRAL CUTTERHEAD (G0480) |
| 40-2 | H7397 | 10" KNIVES X 4 (G0455) |
| 40-2 | H5307 | CARBIDE INSERTS X 10 (G0480) |
| 40-3 | P0455040-3 | KNIFE GIB (G0455) |
| 40-3 | PFH35M | FLAT HD TORX SCR (G0480) |
| 40-4 | P0455040-4 | HEX HD GIB BOLT (G0455) |

| REF | PART # | DESCRIPTION |
|------|------------|-------------------------------|
| 40-5 | P0455040-5 | JACK SCREW M5-.8 X 10 (G0455) |
| 40-6 | P0455040-6 | COMPRESSION SPRING (G0455) |
| 41 | P0455041 | BEARING HOUSING |
| 42 | PW01M | FLAT WASHER 8MM |
| 43 | P0455043 | STEEL BALL 6MM |
| 44 | P0455044 | STRAIN RELIEF ACC-2.5 |
| 45 | PLW04M | LOCK WASHER 8MM |
| 46 | PK12M | KEY 5 X 5 X 30 |
| 47 | P6203 | BALL BEARING 6203 |
| 48 | P6204 | BALL BEARING 6204 |
| 49 | PSB14M | CAP SCREW M8-1.25 X 20 |
| 50 | P0455050 | TABLE BRACKET |
| 51 | P0455051 | FENCE BRACKET |
| 52 | P0455052 | FENCE |
| 53 | P0455053 | FENCE KEY 9.5 X 9.5 X 300 |
| 54 | P0455054 | FENCE LOCK STUD |
| 55 | P0455055 | STUD |
| 56 | P0455056 | BRACKET |
| 57 | P0455057 | STUD |
| 58 | P0455058 | BALL KNOB 3/8-16 |
| 59 | P0455059 | STUD 3/8-16 |
| 60 | P0455060 | FENCE LOCKING NUT |
| 61 | P0455061 | FENCE LINK |
| 62 | P0455062 | LOCKING LINK |
| 63 | P0455063 | STUD |
| 64 | P0455064 | LOCKING STUD |
| 65 | P0455065 | T-NUT 1/2 |
| 66 | P0455066 | STOP BLOCK |
| 67 | P0455067 | PIN |
| 68 | PFH23 | FLAT HD SCR 5/16-18 X 1-1/2 |
| 69 | PN08 | HEX NUT 3/8-16 |
| 70 | P0455070 | PIN 4 X 14 |
| 71 | PB13 | HEX BOLT 1/4-20 X 1-1/4 |
| 72 | PB11 | HEX BOLT 5/16-18 X 1-1/2 |
| 73 | PN05 | HEX NUT 1/4-20 |
| 74 | PN02 | HEX NUT 5/16-18 |
| 75 | PN01 | HEX NUT 1/2-20 |
| 76 | P0455076 | STAND |
| 77 | P0455077 | PEDESTAL ARM |
| 78 | P0455078 | CONTROL BOX ASSY |
| 78-1 | P0455078-1 | CONTROL BOX |
| 78-2 | P0455078-2 | SWITCH PANEL |
| 78-3 | P0455078-3 | CONTROL CORD |
| 78-4 | P0455078-4 | STOP SWITCH 25 |
| 78-5 | P0455078-5 | POWER LIGHT 25 |
| 78-6 | P0455078-6 | START SWITCH 25 |
| 78-7 | PS09M | PHLP HD SCR M5-.8 X 10 |
| 79 | PSB14M | CAP SCREW M8-1.25 X 20 |



Jointer Parts List

| REF | PART # | DESCRIPTION |
|-------|------------|--------------------------------|
| 80 | PS06M | PHLP HD SCR M5-.8 X 20 |
| 81 | P0455081 | COVER |
| 82 | PSB40M | CAP SCREW M8-1.25 X 35 |
| 83 | P0455083 | BRACKET |
| 84 | PW03M | FLAT WASHER 6MM |
| 85 | PSB132M | BUTTON HD CAP SCR M6-1 X 15 |
| 86 | P0455086 | DUST HOOD |
| 87 | PFB09M | FLANGE BOLT M6-1 X 10 |
| 88 | P0455088 | SWITCH ASSY |
| 88-1 | P0455088-1 | CONTACTOR MA-18 SDE |
| 88-2 | P0455088-2 | OVERLOAD RELAY RA-30 18~26 |
| 88-3 | P0455088-3 | SWITCH COVER |
| 88-4 | PSW01-1 | PLASTIC SWITCH SCREW |
| 88-5 | P0455088-5 | STRAIN RELIEF M20 |
| 88-6 | PS08 | PHLP HD SCR 10-24 X 3/4 |
| 89 | PLW04M | LOCK WASHER 8MM |
| 90 | PN03M | HEX NUT M8-1.25 |
| 91 | PB01M | HEX BOLT M10-1.5 X 30 |
| 92 | PW04M | FLAT WASHER 10MM |
| 93 | P0455093 | HOOK |
| 94 | P0455094 | FOOT PAD |
| 95 | P0455095 | ALL WAY HANDLE 5/16-18 X 1-3/8 |
| 97 | P0455097 | MOUNTING SHAFT |
| 98 | P0455098 | COLLAR |
| 99 | P0455099 | PIVOT STUD |
| 100 | P0455100 | MOTOR MOUNT PLATE |
| 101 | P0455101 | MOTOR ASSY |
| 101-1 | P0455101-1 | JUNCTION BOX |
| 101-2 | P0455101-2 | FAN COVER |
| 101-3 | P0455101-3 | MOTOR FAN |
| 101-4 | P0455101-4 | CAPACITOR COVER |
| 101-5 | P0455101-5 | S CAPACITOR 600MFD 125VAC |
| 101-6 | P0455101-6 | TERMINAL BAR |

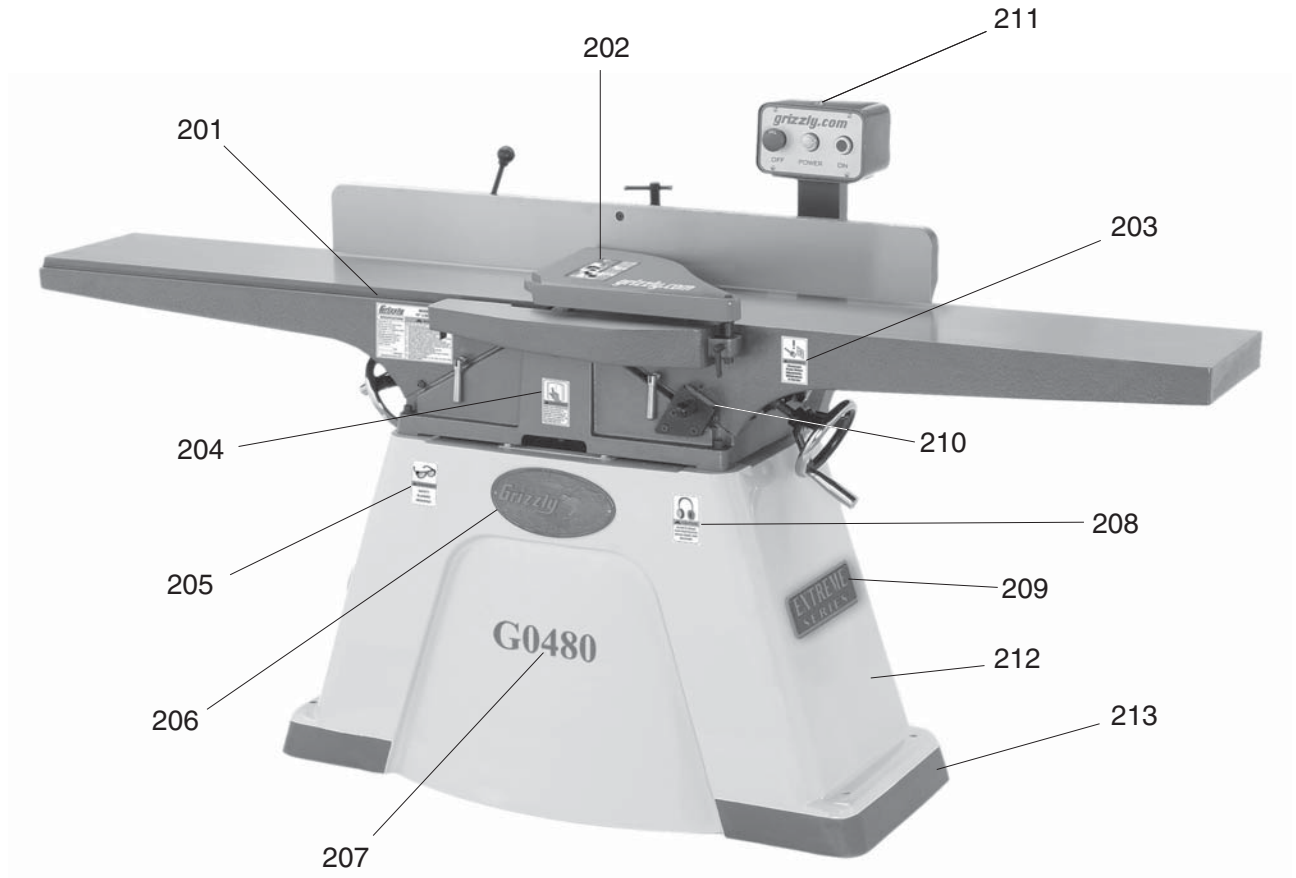
| REF | PART # | DESCRIPTION |
|--------|-------------|-----------------------------|
| 101-7 | PK12M | KEY 5 X 5 X 30 |
| 101-8 | P0455101-8 | MOTOR PULLEY |
| 101-9 | P0455101-9 | SPECIAL WASHER 8MM |
| 101-10 | PB09M | HEX BOLT M8-1.25 X 20 |
| 101-11 | P0455101-11 | MOTOR CORD 12AWG |
| 101-12 | P0455101-12 | MOTOR LABEL |
| 102 | PSB47M | CAP SCREW M10-1.5 X 40 |
| 103 | PSS06 | SET SCREW 1/4-20 X 3/4 |
| 104 | PN02M | HEX NUT M10-1.5 |
| 105 | PN09M | HEX NUT M12-1.75 |
| 106 | PW06M | FLAT WASHER 12MM |
| 107 | P0455107 | PUSH BLOCK |
| 108 | P0455108 | RABBET TABLE |
| 109 | P0455109 | CUTTERHEAD GUARD |
| 110 | P0455110 | PIVOT SHAFT |
| 111 | P0455111 | TORSION SPRING |
| 112 | PR16M | EXT RETAINING RING 9MM |
| 113 | P0455113 | PIN 5 X 25 |
| 114 | P0455114 | PIN 6 X 20 |
| 115 | PAW05M | HEX WRENCH 5MM |
| 116 | PWR810 | WRENCH 8 X 10 |
| 117 | PWR1214 | WRENCH 12 X 14 |
| 118 | P0480118 | T-HANDLE DRIVER 6MM (G0480) |
| 120 | P0480120 | TORX BIT T-20 (G0480) |
| 121 | P0455121 | POWER CORD 12AWG |
| 123 | P0455123 | KNIFE SETTING JIG ASSY |
| 123-1 | P0455123-1 | KNIFE SETTING JIG FOOT |
| 123-2 | P0455123-2 | KNIFE SETTING JIG ROD |
| 123-3 | PEC10M | E-CLIP 9MM |
| 125 | P0455125 | INDICATOR |
| 126 | PVM52 | BELT M-52 3L520 |
| 128 | PS23 | PHLP HD SCR 8-32 X 1/4 |
| 129 | P0455129 | PROTECTOR |



Safety Label Locations

⚠ WARNING

Safety labels warn about machine hazards and ways to prevent injury. The owner of this machine **MUST** maintain the original location and readability of the labels on the machine. If any label is removed or becomes unreadable, **REPLACE** that label before using the machine again. Contact Grizzly at (800) 523-4777 or www.grizzly.com to order new labels.



| REF | PART # | DESCRIPTION |
|-----|-----------|---------------------------|
| 201 | P0455201 | G0455 MACHINE ID LABEL |
| 201 | P0480201 | G0480 MACHINE ID LABEL |
| 202 | P0455202 | CUTTERHEAD GUARD LABEL |
| 203 | P0455203 | DISCONNECT POWER LABEL |
| 204 | PLABEL-12 | READ MANUAL LABEL |
| 205 | PLABEL-11 | SAFETY GLASSES LABEL |
| 206 | G8588 | GRIZZLY NAMEPLATE |
| 207 | P0455207 | G0455 MODEL NUMBER LABEL |
| 207 | P0480207 | G0480 MODEL NUMBER LABEL |
| 208 | PLABEL-15 | EAR PROTECTION LABEL |
| 209 | P0455209 | EXTREME SERIES PLATE |
| 210 | P0455210 | CUTTING DEPTH SCALE |
| 211 | PLABEL-14 | ELECTRICITY LABEL |
| 212 | P0455212 | TOUCH UP PAINT "PUTTY" |
| 213 | P0455213 | TOUCH UP PAINT "HT GREEN" |

