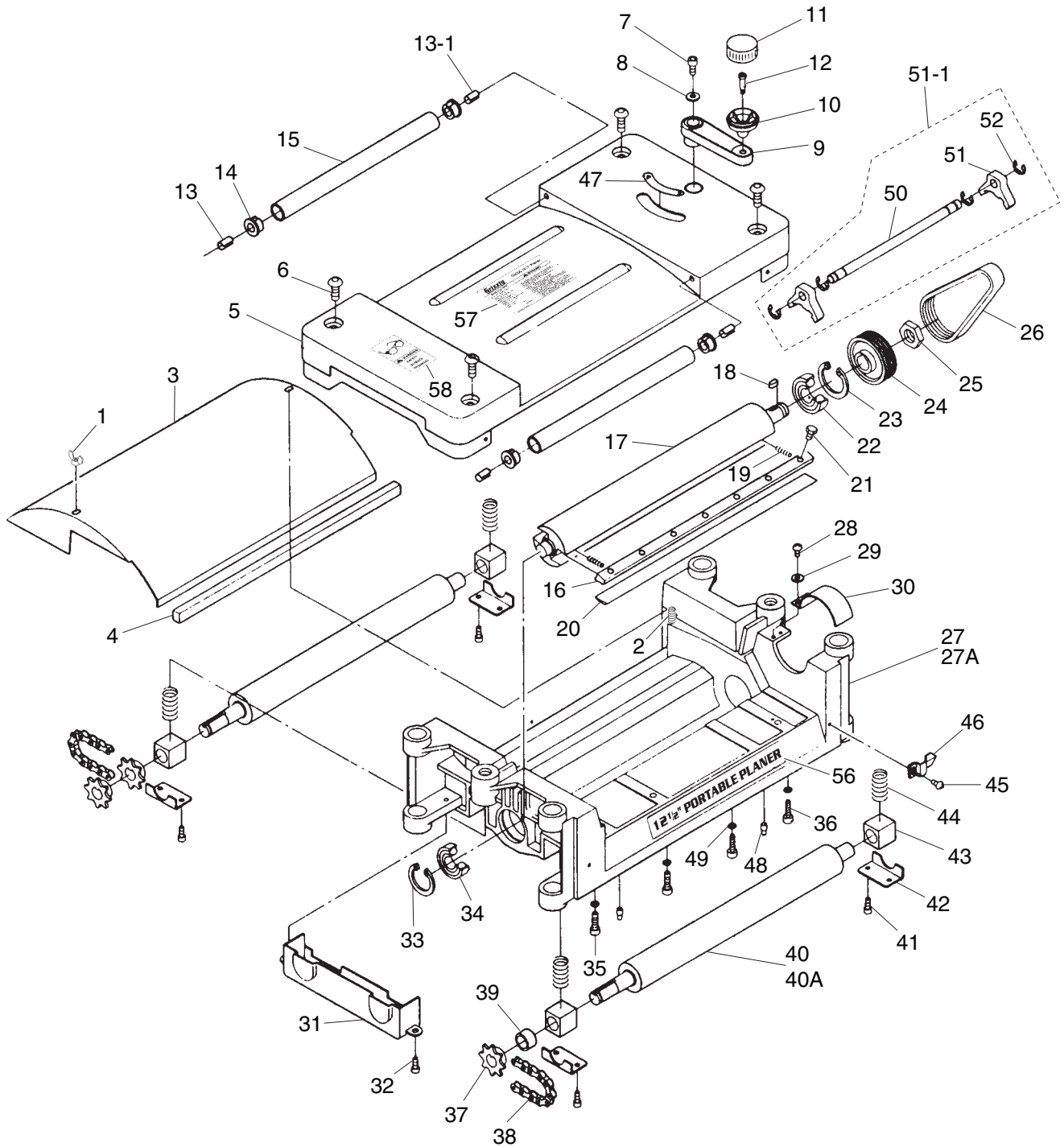


# SECTION 8: PARTS

## Head Breakdown



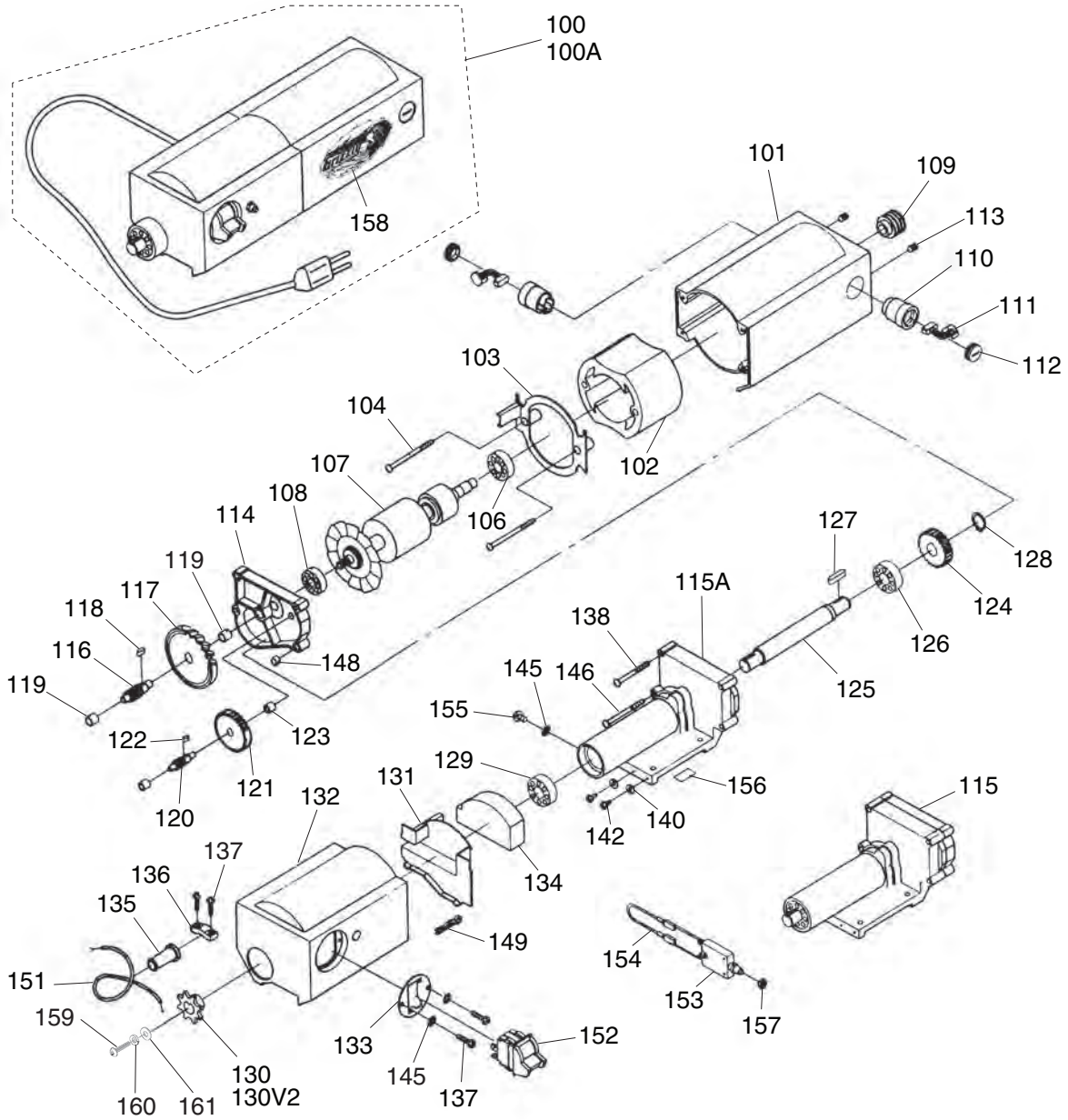
# Head Parts List

REF	PART #	DESCRIPTION
1	P0505001	WING NUT M5-.8
2	P0505002	THREADED STUD M5-.8 X 50
3	P0505003	CHIP DEFLECTOR
4	P0505004	SPONGE PIECE
5	P0505005	TOP COVER
6	P0505006	BUTTON HD CAP SCR M8-1.25 X 16
7	P0505007	CAP SCREW M6-1 X 16
8	P0505008	LOCK WASHER 6MM
9	P0505009	ELEVATION CRANK
10	P0505010	HANDLE KNOB BASE
11	P0505011	HANDLE KNOB
12	P0505012	HANDLE SHAFT
13	P0505013	ROLL PIN 6 X 20
13-1	P0505013-1	FLAT HEAD DOWEL PIN 6 X 20
14	P0505014	BUSHING
15	P0505015	ROLLER
16	P0505016	GIB
17	P0505017	CUTTERHEAD
18	P0505018	KEY 5 X 5 X 10
19	P0505019	SPRING D3
20	P0505020	KNIVES DOUBLE SIDED (2PC SET)
21	P0505021	GIB LOCK SCREW M6-1.0
22	P0505022	BALL BEARING 6203ZZ
23	P0505023	INT RETAINING RING 40MM
24	P0505024	CUTTERHEAD PULLEY
25	P0505025	HEX NUT M16-1.5
26	P0505026	RIBBED V-BELT 6 RIB/14" OD
27	P0505027	UPPER FRAME V1.12.02
27A	P0505027A	UPPER FRAME V2.04.04
28	P0505028	PHLP HD SCR M4-.7 X 8

REF	PART #	DESCRIPTION
29	P0505029	FLAT WASHER 4MM
30	P0505030	PULLEY GUARD
31	P0505031	CHAIN GUARD
32	P0505032	PHLP HD SCR M5-.8 x 8
33	P0505033	INT RETAINING RING 35MM
34	P0505034	BALL BEARING 6202ZZ
35	P0505035	CAP SCREW M6-1 X 20
36	P0505036	TAP SCREW M6 X 20
37	P0505037	CHAIN SPROCKET V2.07.04
38	P0505038	CHAIN
39	P0505039	SPACING COLLAR
40	P0505040	FEED ROLLER NO KEYWAY V2.07.04
40A	P0505040A	FEED ROLLER W/KEYWAY V1.12.02
41	P0505041	PHLP HD SCR M5-.8 X 10
42	P0505042	ROLLER BRACKET
43	P0505043	ROLLER BUSHING
44	P0505044	BRACKET SPRING D10
45	P0505045	PHLP HD SCR M4-.7 X 8
46	P0505046	INDICATOR
47	P0505047	DIRECTION LABEL
48	P0505048	FRAME PIN
49	P0505049	LOCK WASHER 6MM
50	P0505050	KNIFE GAUGE ROD
51	P0505051	KNIFE GAUGE
51-1	P0505051-1	COMPLETE KNIFE GAUGE ASSY
52	P0505052	E-CLIP 9MM
56	P0505056	12-1/2" PLANER LABEL
57	P0505057	MACHINE ID LABEL
58	P0505058	SAFETY GLASSES LABEL



# Motor Assembly Breakdown



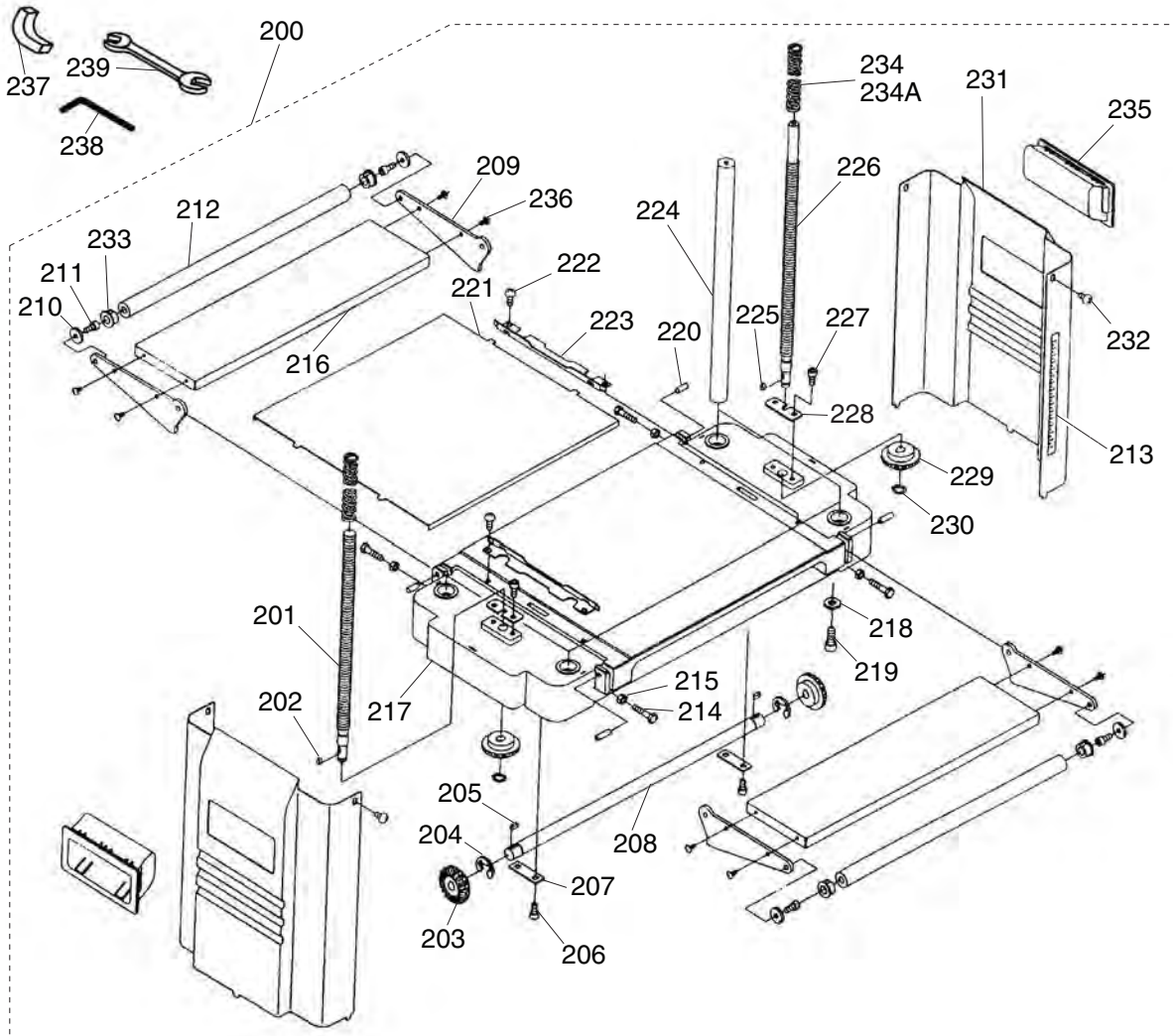
# Motor Assembly Parts List

REF	PART #	DESCRIPTION
100	P0505100	MOTOR ASSY W/KEYWAY V1.12.02
100A	P0505100A	MOTOR ASSY NO KEYWAY V2.07.04
101	P0505101	MOTOR CASING
102	P0505102	STATOR ASSEMBLY
103	P0505103	PLATE
104	P0505104	TAP SCREW #10 X 2 3/4
106	P0505106	BALL BEARING 6201ZZ
107	P0505107	ROTOR ASSEMBLY
108	P0505108	BALL BEARING 6200ZZ
109	P0505109	MOTOR PULLEY
110	P0505110	BRUSH HOUSING
111	P0505111	CARBON BRUSH ASSY
112	P0505112	THREADED BRUSH COVER
113	P0505113	SET SCREW M5-.8 X 10
114	P0505114	GEAR BOX COVER
115	P0505115	GEAR BOX ASSEMBLY NO KEYWAY V1.12.02
115A	P0505115A	GEAR BOX HOUSING V2.07.04
116	P0505116	GEAR SHAFT
117	P0505117	GEAR 70T
118	P0505118	KEY 4 X 4 X 8
119	P0505119	BRONZE BUSHING
120	P0505120	GEAR SHAFT
121	P0505121	GEAR 46T
122	P0505122	KEY 3 X 3 X 7
123	P0505123	BUSHING
124	P0505124	GEAR 33T
125	P0505125	SHAFT
126	P0505126	BALL BEARING 6202ZZ
127	P0505127	KEY 4 X 4 X 10

REF	PART #	DESCRIPTION
128	P0505128	EXT RETAINING RING 15MM
129	P0505129	BALL BEARING 6002ZZ
130	P0505130	SPROCKET W/ KEYWAY V1
130V2	P0505130V2	SPROCKET NO KEYWAY V2.07.04
131	P0505131	SPACING PLATE
132	P0505132	GEAR BOX HOUSING
133	P0505133	SWITCH GUARD (BLACK)
134	P0505134	DUST GUARD PLUG
135	P0505135	STRAIN RELIEF
136	P0505136	ELECTRICAL WIRE CLAMP
137	P0505137	TAP SCREW M4 X 16
138	P0505138	TAP SCREW #10 X 2
140	P0505140	FLAT WASHER 4MM
142	P0505142	PHLP HD SCR M4-.7 X 8
145	P0505145	EXT TOOTH WASHER 5MM
146	P0505146	TAP SCREW #10 X 2 5/16
148	P0505148	POSITIONING PIN
149	P0505149	HAIRPIN COTTER PIN
151	P0505151	POWER WIRES
152	P0505152	TOGGLE SAFETY SWITCH
153	P0505153	TEMPERATURE SWITCH
154	P0505154	TEMPERATURE SWITCH WIRE
155	P0505155	PHLP HD SCR M5-.8 x 8
156	P0505156	MOTOR LABEL
157	P0505157	HEX NUT M10-1.5
158	P0505158	GRIZZLY LABEL (COLOR)
159	P0505159	PHLP HD SCR M6-1 X 14
160	P0505160	LOCK WASHER 6MM
161	P0505161	FLAT WASHER 6MM



# Base Breakdown



REF	PART #	DESCRIPTION
200	P0505200	BASE ASSEMBLY
201	P0505201	LEFT LEADSCREW M8-1.25 X 60
202	P0505202	KEY 4 X 4 X 8
203	P0505203	BEVEL GEAR
204	P0505204	E-CLIP 8MM
205	P0505205	KEY 4 X 4 X 8
206	P0505206	CAP SCREW M6-1 X 10
207	P0505207	FIXING PIECE
208	P0505208	TRANSMISSION SHAFT
209	P0505209	EXTENSION WING BRACKET
210	P0505210	FLAT WASHER 6MM
211	P0505211	CAP SCREW M6-1 X 10
212	P0505212	EXTENSION WING ROLLER 14-5/16"L
213	P0505213	DEPTH SCALE LABEL
214	P0505214	HEX BOLT M6-1 X 25
215	P0505215	HEX NUT M6-1
216	P0505216	EXTENSION WING
217	P0505217	BASE
218	P0505218	FLAT WASHER 5/16
219	P0505219	CAP SCREW M8-1.25 X 20
220	P0505220	ROLL PIN 6 X 20

REF	PART #	DESCRIPTION
221	P0505221	MAIN TABLE
222	P0505222	PHLP HD SCR M5-.8 x 8
223	P0505223	GUIDE PLATE
224	P0505224	COLUMN
225	P0505225	KEY 4 X 4 X 8
226	P0505226	RIGHT LEADSCREW M10-1.5 X 60
227	P0505227	CAP SCREW M6-1 X 10
228	P0505228	FIXING PIECE
229	P0505229	BEVEL GEAR
230	P0505230	EXT RETAINING RING 10MM
231	P0505231	SIDE PANEL
232	P0505232	PHLP HD SCR M5-.8 x 6
233	P0505233	ROLLER BUSHING
234	P0505234	LEADSCREW SPRING V1.12.02
234A	P0505234A	LEADSCREW SPRING V2.04.04
235	P0505235	CARRYING HANDLE
236	P0505236	PHLP HD SCR M4-.7 X 8
237	P0505237	RUBBER FOOT
238	P0505238	HEX WRENCH 5MM
239	P0505239	DOUBLE-END WRENCH 8 X 8MM

