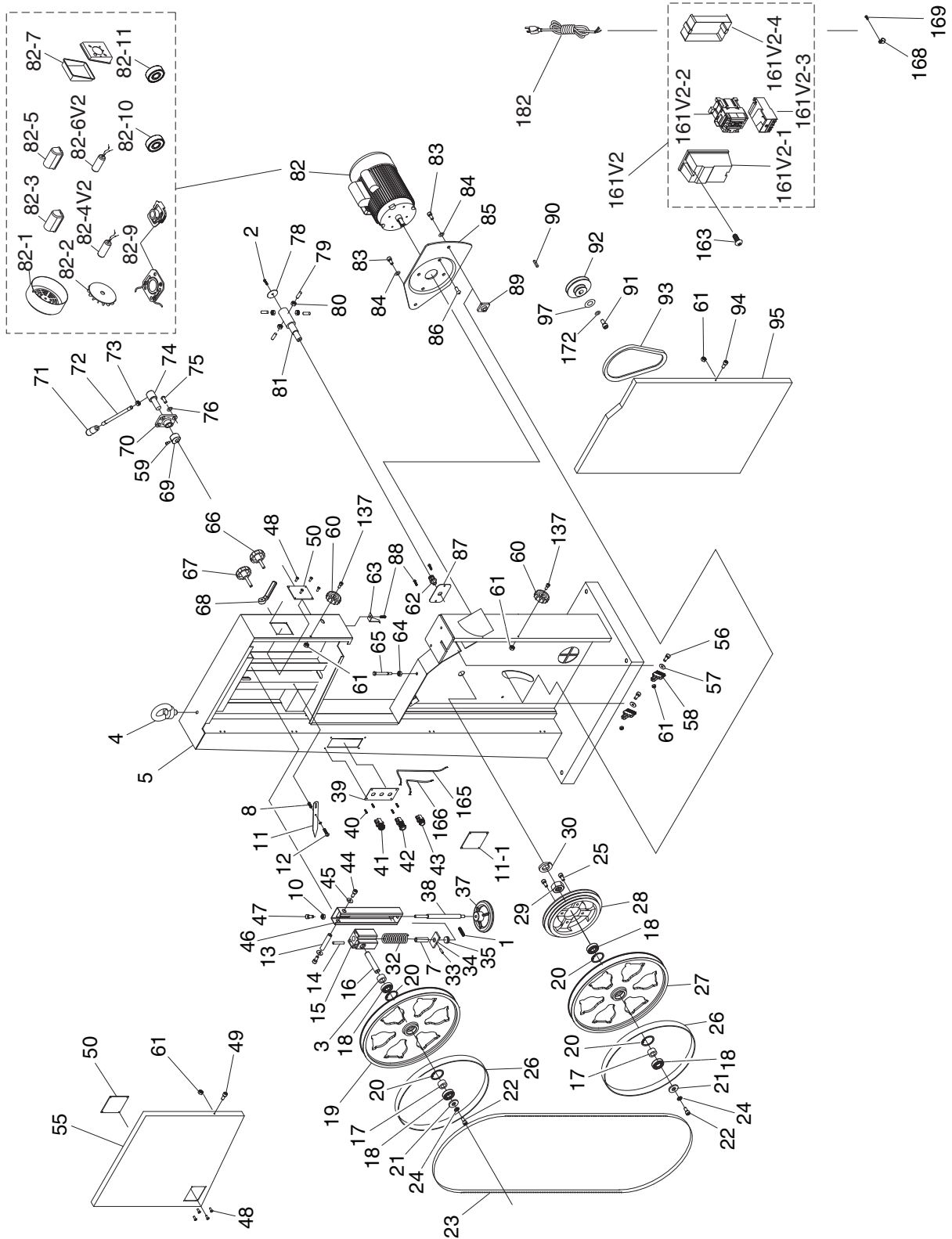


SECTION 9: PARTS

G0514X Main



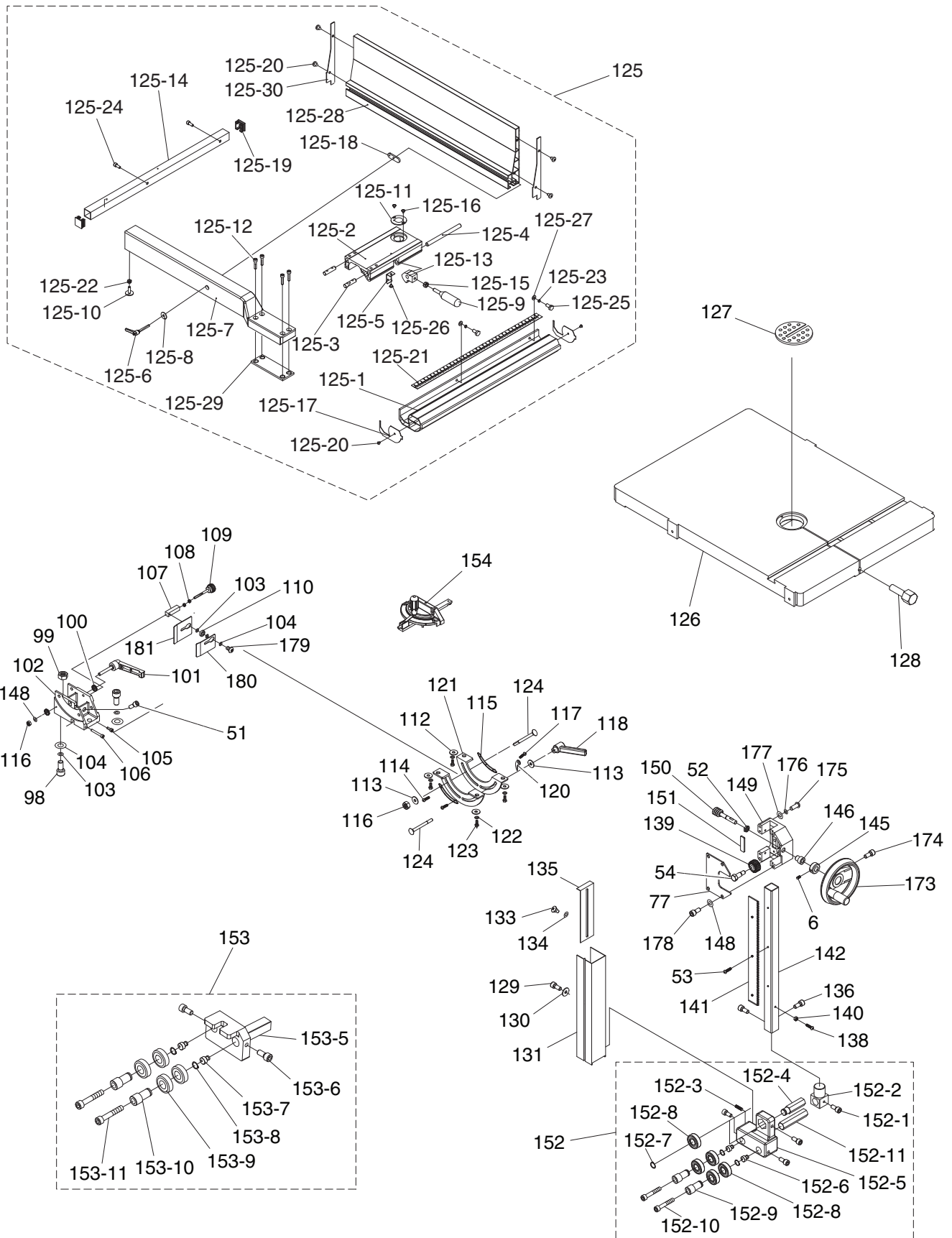
G0514X Main Parts List

REF	PART #	DESCRIPTION
1	P0514X001	SET SCREW M6-1 X 10
2	P0514X002	FLANGE SCREW M5-.8 X 10
3	P0514X003	BUSHING
4	P0514X004	LIFTING EYE BOLT M10-1.5
5	P0514X005	MACHINE BODY
7	P0514X007	BUSHING
8	P0514X008	FLAT WASHER 6MM
10	P0514X010	HEX NUT M6-1
11	P0514X011	POINTER
11-1	P0514X011-1	TENSION SCALE LABEL
12	P0514X012	SHOULDER SCREW M4-.7 X 5
13	P0514X013	UPPER SHAFT
14	P0514X014	ROLL PIN 5 X 36
15	P0514X015	UPPER WHEEL SHAFT HINGE
16	P0514X016	UPPER WHEEL SHAFT
17	P0514X017	BUSHING
18	P0514X018	BALL BEARING 6204 2RS
19	P0514X019	UPPER WHEEL 19"
20	P0514X020	INT RETAINING RING 47MM
21	P0514X021	WHEEL FLAT WASHER 8MM
22	P0514X022	CAP SCREW M8-1.25 X 16
23	P0514X023	BLADE 6TPI HOOK 143"
24	P0514X024	LOCK WASHER 8MM
25	P0514X025	CAP SCREW M8-1.25 X 20
26	P0514X026	URETHANE TIRE PAIR
27	P0514X027	LOWER WHEEL 19"
28	P0514X028	IDLER PULLEY
29	P0514X029	HEX NUT 1-14
30	P0514X030	LOCK WASHER 1"
32	P0514X032	COMPRESSION SPRING
33	P0514X033	ROLL PIN 3 X 16
34	P0514X034	LOCATE BLOCK
35	P0514X035	THRUST BEARING 51201
37	P0514X037	HANDWHEEL
38	P0514X038	ADJUSTING BOLT
39	P0514X039	CONTROL PANEL PLATE
40	P0514X040	TAP SCREW M4 X 10
41	P0514X041	KEYED POWER SWITCH
42	P0514X042	ON BUTTON
43	P0514X043	OFF BUTTON
44	P0514X044	CAP SCREW M8-1.25 X 16
45	P0514X045	FENDER WASHER 8MM
46	P0514X046	UPPER WHEEL SLIDING BRACKET
47	P0514X047	CAP SCREW M8-1.25 X 90
48	P0514X048	STEEL BLIND RIVET 3 X 10MM
49	P0514X049	CAP SCREW M6-1 X 10
50	P0514X050	CLEAR WINDOW
55	P0514X055	UPPER WHEEL COVER
56	P0514X056	CAP SCREW M6-1 X 25
57	P0514X057	FLAT WASHER 6MM
58	P0514X058	BRUSH
59	P0514X059	CAP SCREW M6-1 X 25
60	P0514X060	STAR HANDLE
61	P0514X061	LOCK NUT 6MM
62	P0514X062	STRAIN RELIEF 16MM
63	P0514X063	HEIGHT POINTER

REF	PART #	DESCRIPTION
64	P0514X064	HEX NUT M8-1.25
65	P0514X065	HEX BOLT M8-1.25 X 90
66	P0514X066	KNOB SCREW M10-1.5 X 20
67	P0514X067	KNOB SCREW M10-1.5 X 55
68	P0514X068	THREADED HANDLE 10MM
69	P0514X069	CAM
70	P0514X070	PILLOW BLOCK
71	P0514X071	HANDLE M10-1.5
72	P0514X072	LEVER ROD
73	P0514X073	HEX NUT M12-1.75
74	P0514X074	SHAFT
75	P0514X075	BUTTON HD CAP SCR M8-1.25 X 20
76	P0514X076	LOCK WASHER 8MM
78	P0514X078	COVER
79	P0514X079	SET SCREW M8-1.25 X 20
80	P0514X080	HEX NUT M8-1.25
81	P0514X081	LOWER WHEEL SHAFT
82	P0514X082	MOTOR 3HP 220V 1PH 60HZ
82-1	P0514X082-1	MOTOR FAN COVER
82-2	P0514X082-2	MOTOR FAN
82-3	P0514X082-3	CAPACITOR COVER
82-4V2	P0514X082-4V2	S CAPACITOR 300M 250V V2.05.11
82-5	P0514X082-5	CAPACITOR COVER
82-6V2	P0514X082-6V2	R CAPACITOR 60M 300V V2.02.11
82-7	P0514X082-7	MOTOR JUNCTION BOX
82-9	P0514X082-9	CENTRIFUGAL SWITCH W/ CONTACT PLATE
82-10	P0514X082-10	FRONT MOTOR BEARING
82-11	P0514X082-11	REAR MOTOR BEARING
83	P0514X083	HEX BOLT M10-1.5 X 25
84	P0514X084	LOCK WASHER 10MM
85	P0514X085	MOTOR BRACKET
86	P0514X086	BUTTON HD CAP SCR M8-1.25 X 20
87	P0514X087	PLATE
88	P0514X088	FLANGE SCREW M5-.8 X 10
89	P0514X089	PILLOW BLOCK
90	P0514X090	KEY 5 X 5 X 35
91	P0514X091	HEX BOLT M8-1.25 X 20 LH
92	P0514X092	MOTOR PULLEY
93	P0514X093	V-BELT A-42 4L420
94	P0514X094	CAP SCREW M6-1 X 10
95	P0514X095	LOWER WHEEL COVER
97	P0514X097	FENDER WASHER 8MM
137	P0514X137	CAP SCREW M6-1 X 20
161V2	P0514X161V2	MAG SWITCH ASSY 3HP 220V V2.05.11
161V2-1	P0514X161V2-1	SWITCH FRONT COVER
161V2-2	P0514X161V2-2	CONTACTOR SDE MA-18 220V
161V2-3	P0514X161V2-3	OL RELAY SDE RA-20 12-18A
161V2-4	P0514X161V2-4	SWITCH BACK COVER
163	P0514X163	FLANGE SCREW M5-.8 X 10
165	P0514X165	CONTROL CORD 16G 3W
166	P0514X166	MOTOR CORD 14G 3W
168	P0514X168	CORD CLAMP
169	P0514X169	FLANGE SCREW M5-.8 X 12
172	P0514X172	LOCK WASHER 8MM
182	P0514X182	POWER CORD 14G 3W 6-15



G0514X Fence/Guides



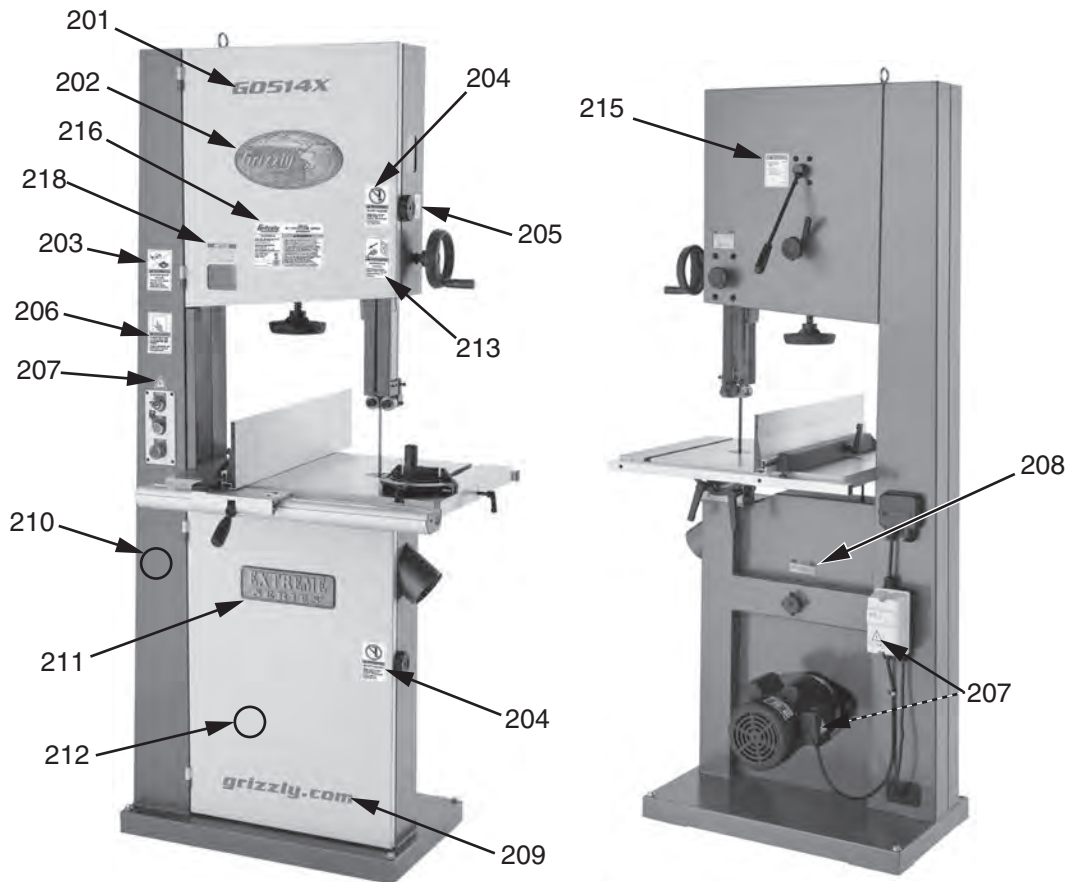
G0514X Fence/Guide Parts List

REF	PART #	DESCRIPTION
6	P0514X006	SET SCREW M5-.8 X 5
51	P0514X051	CAP SCREW M6-1 X 20
52	P0514X052	WORM SHAFT THIN NUT
53	P0514X053	FLAT HD SCR M4-.7 X 8
54	P0514X054	STEP BOLT M8-1.25 X 80
77	P0514X077	COVER
98	P0514X098	CAP SCREW M10-1.5 X 35
99	P0514X099	HEX NUT M10-1.5
100	P0514X100	SMALL GEAR
101	P0514X101	LOCK HANDLE
102	P0514X102	TRUNNION SUPPORT BRACKET
103	P0514X103	LOCK WASHER 10MM
104	P0514X104	FLAT WASHER 10MM
105	P0514X105	HEX BOLT M6-1 X 20
106	P0514X106	CAP SCREW M6-1 X 45
107	P0514X107	PILLOW BLOCK
108	P0514X108	HEX NUT M6-1
109	P0514X109	ADJUST BOLT M6
110	P0514X110	BALL BEARING 6000ZZ
112	P0514X112	FLAT WASHER 8MM
113	P0514X113	FLAT WASHER 8MM
114	P0514X114	PHLP HD SCR M4-.7 X 6
115	P0514X115	GEAR PLATE
116	P0514X116	LOCK NUT M8-1.25
117	P0514X117	PHLP HD SCR M4-.7 X 6
118	P0514X118	LOCK HANDLE
120	P0514X120	POINTER
121	P0514X121	TRUNNION
122	P0514X122	LOCK WASHER 8MM
123	P0514X123	HEX BOLT M8-1.25 X 16
124	P0514X124	CARRIAGE BOLT M8-1.25 X 80
125	P0514X125	FENCE ASSEMBLY
125-1	P0514X125-1	FIXED BASE 710MM
125-2	P0514X125-2	ADJUST BASE
125-3	P0514X125-3	FIXED SHAFT
125-4	P0514X125-4	SHAFT
125-5	P0514X125-5	SPRING PIECE
125-6	P0514X125-6	ADJUSTMENT HANDLE M8 X 44
125-7	P0514X125-7	SUPPORT TUBE 640MM
125-8	P0514X125-8	FLAT WASHER 8MM
125-9	P0514X125-9	FENCE HANDLE M8-1.25 X 22
125-10	P0514X125-10	ADJUST SCREW
125-11	P0514X125-11	CONVEX
125-12	P0514X125-12	CAP SCREW M6-1 X 25
125-13	P0514X125-13	FIXED LUMP
125-14	P0514X125-14	REAR RAIL 710MM
125-15	P0514X125-15	HEX NUT M8-1.25
125-16	P0514X125-16	FLANGE SCREW M4-.7 X 6
125-17	P0514X125-17	GUARD PIECE
125-18	P0514X125-18	MOVING PLATE
125-19	P0514X125-19	PLUGGED
125-20	P0514X125-20	TAP SCREW M3.5 X 8
125-21	P0514X125-21	SCALE
125-22	P0514X125-22	HEX NUT M6-1
125-23	P0514X125-23	LOCK WASHER 6MM
125-24	P0514X125-24	CAP SCREW M6-1 X 16
125-25	P0514X125-25	HEX BOLT M6-1 X 20

REF	PART #	DESCRIPTION
125-26	P0514X125-26	FLANGE BOLT M4-.7 X 8
125-27	P0514X125-27	FLAT WASHER 6MM
125-28	P0514X125-28	RESAW FENCE AL 640MM
125-29	P0514X125-29	SPACER PLATE
125-30	P0514X125-30	RESAW FENCE END PLATE
126	P0514X126	TABLE 26-3/4" X 19"
127	P0514X127	TABLE INSERT
128	P0514X128	TABLE PIN
129	P0514X129	CAP SCREW M5-.8 X 10
130	P0514X130	FLAT WASHER 5MM
131	P0514X131	GUIDE POST COVER
133	P0514X133	SHOULDER SCREW
134	P0514X134	FIBER WASHER 13MM
135	P0514X135	SLIDING PLATE
136	P0514X136	CAP SCREW M6-1 X 16
138	P0514X138	PHLP HD SCR M4-.7 X 10
139	P0514X139	GEAR
140	P0514X140	HEX NUT M4-.7
141	P0514X141	RACK
142	P0514X142	UPPER GUIDE TUBE
145	P0514X145	LOCK COLLAR
146	P0514X146	BUSHING
148	P0514X148	LOCK WASHER 8MM
149	P0514X149	GUIDE BRACKET
150	P0514X150	WORM CYLINDER
151	P0514X151	FIXED PLATE
152	P0514X152	UPPER BLADE GUIDE ASSEMBLY
152-1	P0514X152-1	CAP SCREW M6-1 X 16
152-2	P0514X152-2	UPPER GUIDE SUPPORT BLOCK
152-3	P0514X152-3	SET SCREW M6-1 X 10
152-4	P0514X152-4	ADJUST BAR
152-5	P0514X152-5	UPPER BLADE GUIDE SUPPORT
152-6	P0514X152-6	BIAS SHAFT
152-7	P0514X152-7	EXT RETAINING RING 15MM
152-8	P0514X152-8	BALL BEARING 6202 ZZ
152-9	P0514X152-9	HANDLE BUSHING
152-10	P0514X152-10	CAP SCREW M6-1 X 35
152-11	P0514X152-11	UPPER SPACING SLEEVE
153	P0514X153	LOWER BLADE GUIDE ASSEMBLY
153-5	P0514X153-5	LOWER BLADE GUIDE SUPPORT
153-6	P0514X153-6	CAP SCREW M6-1 X 16
153-7	P0514X153-7	BIAS SHAFT
153-8	P0514X153-8	EXT RETAINING RING 15MM
153-9	P0514X153-9	BALL BEARING 6202 ZZ
153-10	P0514X153-10	HANDLE BUSHING
153-11	P0514X153-11	CAP SCREW M6-1 X 35
154	P0514X154	MITER GAUGE ASSEMBLY
173	P0514X173	GUIDE POST HANDWHEEL
174	P0514X174	CAP SCREW M6-1 X 20
175	P0514X175	BUTTON HD CAP SCR M8-1.25 X 20
176	P0514X176	LOCK WASHER 8MM
177	P0514X177	FLAT WASHER 8MM
178	P0514X178	CAP SCREW M8-1.25 X 16
179	P0514X179	BUTTON HD CAP SCR M10-1.5 X 20
180	P0514X180	RIGHT CLAMP PLATE
181	P0514X181	LEFT CLAMP PLATE



G0514X Labels & Parts List



REF	PART #	DESCRIPTION
201	P0514X201	MODEL NUMBER LABEL
202	P0514X202	GRIZZLY LOGO PLATE
203	P0514X203	GLASSES/RESPIRATOR LABEL
204	P0514X204	OPEN DOOR LABEL
205	P0514X205	GUARD ADJ LABEL
206	P0514X206	READ MANUAL LABEL
207	P0514X207	ELECTRICITY LABEL
208	P0514X208	TABLE LOCK LEVER LABEL

REF	PART #	DESCRIPTION
209	P0514X209	GRIZZLY.COM LABEL
210	P0514X210	TOUCH-UP PAINT, GRIZZLY GREEN
211	P0514X211	EXTREME SERIES NAMEPLATE
212	P0514X212	TOUCH-UP PAINT, PUTTY
213	P0514X213	DISCONNECT POWER LABEL
215	P0514X215	TENSION ADJ LABEL
216	P0514X216	MACHINE ID LABEL
218	P0514X218	BLADE TENSION LABEL

WARNING

Safety labels warn about machine hazards and ways to prevent injury. The owner of this machine **MUST** maintain the original location and readability of the labels on the machine. If any label is removed or becomes unreadable, **REPLACE** that label before using the machine again. Contact Grizzly at (800) 523-4777 or www.grizzly.com to order new labels.

