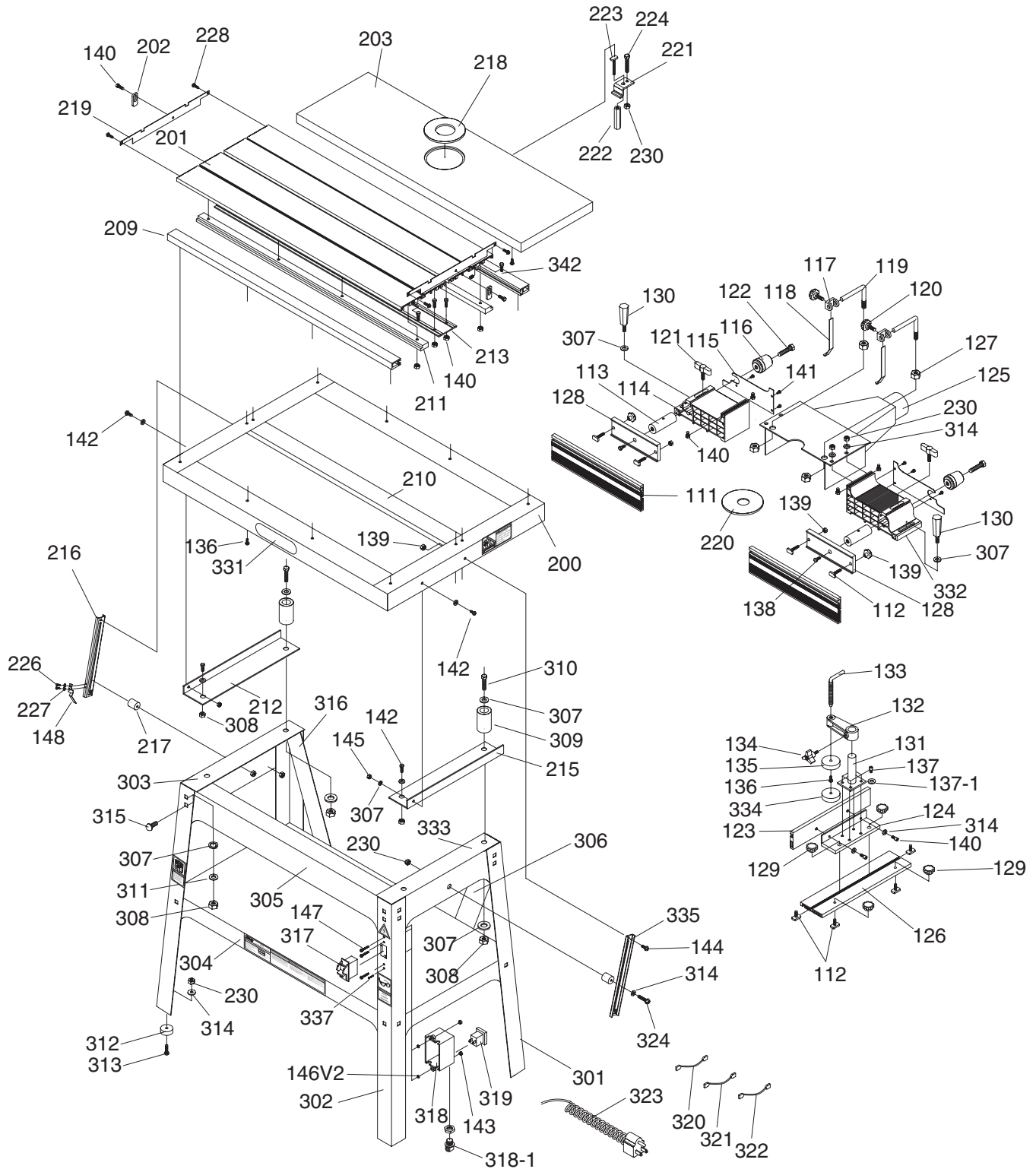


# SECTION 8: PARTS

## Main Breakdown



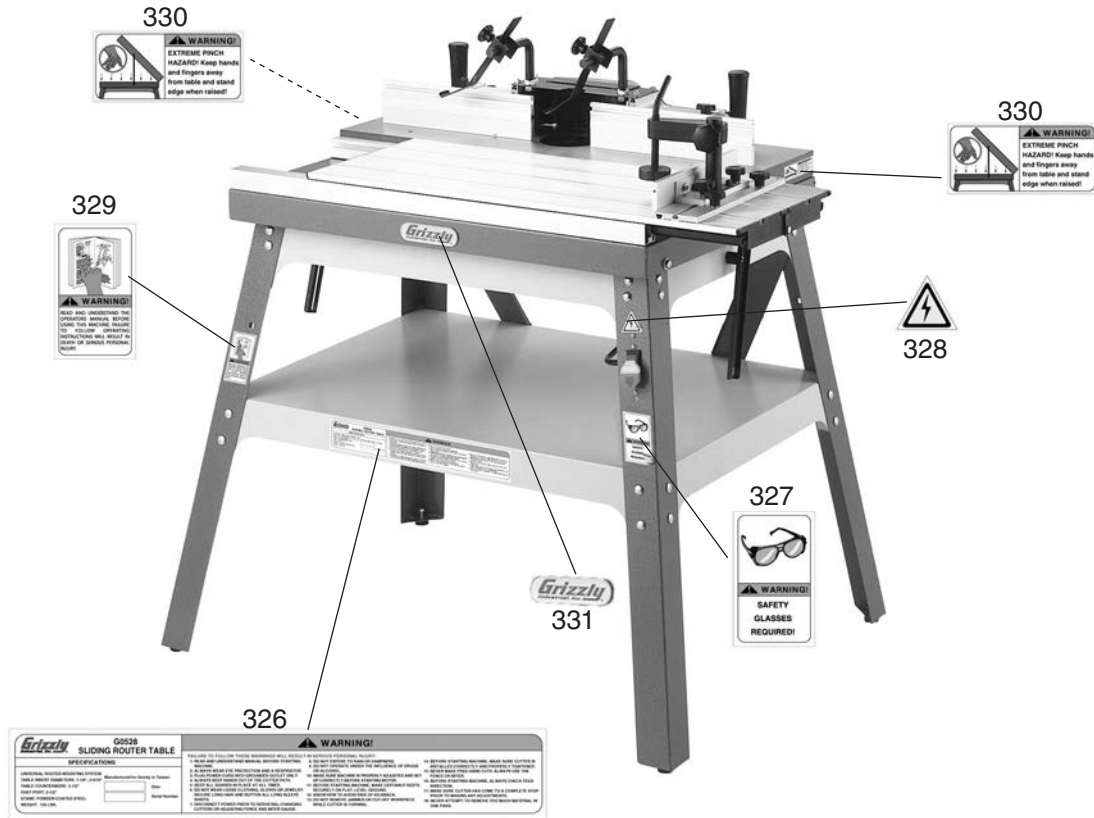
# Parts List

REF	PART #	DESCRIPTION
111	P0528111	FENCE HALF
112	P0528112	T-BOLT 1/4-20 X 1
113	P0528113	MICRO-ADJUSTMENT ROD
114	P0528114	FENCE BODY (LEFT)
115	P0528115	FENCE BODY GUARD
116	P0528116	MICRO-ADJUSTMENT NUT
117	P0528117	HOLD-DOWN BRACKET
118	P0528118	HOLD-DOWN
119	P0528119	L-BRACKET
120	P0528120	KNOB BOLT 5/16-18 X 5/8
121	P0528121	HANDLE BOLT 3/8-16 X 3/4
122	P0528122	HEX BOLT 3/8-16 X 1-1/2
123	P0528123	FENCE PLATE
124	P0528124	CLAMP HOLDER
125	P0528125	DUST HOOD
126	P0528126	SHORT FENCE
127	P0528127	HEX NUT 1/2-12
128	P0528128	CLAMP PLATE
130	P0528130	HEAVY HANDLE
131	P0528131	CLAMP BRACKET
132	P0528132	BRACKET
133	P0528133	CLAMP ROD
134	P0528134	HANDLE BOLT 1/4-20 X 5/8
135	P0528135	CLAMP PLATE
136	P0528136	PHLP HD SCR 10-24 X 3/8
137	P0528137	CAP SCREW 1/4-20 X 1/2
137-1	P0528137-1	LOCK WASHER 1/4
138	P0528138	HEX BOLT 3/8-16 X 1
139	P0528139	LOCK NUT 1/4-20
140	P0528140	HEX BOLT 1/4-20 X 1/2
141	P0528141	PHLP HD SCR 10-24 X 3/8
142	P0528142	HEX BOLT 5/16-18 X 1
143	P0528143	HEX NUT 1/4-20
145	P0528145	LOCK NUT 5/16-18
146V2	P0528146V2	EXT TOOTH WASHER #10 V2.03.17
147	P0528147	PHLP HD SCR 1/4-20 X 1
148	P0528148	LOCK PRESSURE PLATE
200	P0528200	TABLE FRAME
201	P0528201	SLIDING TABLE
202	P0528202	UPPER PLATE
203	P0528203	FIXED TABLE
209	P0528209	SLIDEWAY
210	P0528210	MIDDLE BRACKET
211	P0528211	SLIDE RAIL
212	P0528212	TABLE RIGHT SUPPORT
213	P0528213	FIX PIECE

REF	PART #	DESCRIPTION
215	P0528215	TABLE LEFT SUPPORT
216	P0528216	45° POSITIONER (LEFT)
217	P0528217	SPACER
218	P0528218	60MM INSERT PLATE
219	P0528219	GUARD
220	P0528220	29MM INSERT PLATE
221	P0528221	MOTOR CLAMP PIECE
222	P0528222	HEX CLAMP SHAFT
223	P0528223	T-BOLT 1/4-20 X 2
224	P0528224	HEX BOLT 1/4-20 X 1-1/2
226	P0528226	PHLP HD SCR M4-.7 X 10
227	P0528226	FLAT WASHER 4MM
228	P0528228	TAP SCREW #10 X 1/2
229	P0528229	HEX BOLT 1/4-20 X 1/2
230	P0528230	HEX NUT 1/4-20
301	P0528301	FLOOR STAND
302	P0528302	FRONT STAND (WITH SWITCH)
303	P0528303	UPPER ANGLE PLATE (LEFT)
304	P0528304	MIDDLE PLATE
305	P0528305	FRONT UPPER ANGLE PLATE
306	P0528306	RIGHT BRACKET
307	P0528307	FLAT WASHER 5/16
308	P0528308	HEX NUT 5/16-18
309	P0528309	RUBBER STOP
310	P0528310	CAP SCREW 5/16-18 X 1-1/4
311	P0528311	LOCK WASHER 5/16
312	P0528312	PAD
313	P0528313	PHLP HD SCR 1/4-20 X 1
314	P0528314	FLAT WASHER 1/4
315	P0528315	CARRIAGE BOLT 5/16-18 X 5/8
316	P0528316	LEFT BRACKET
317	P0528317	SWITCH
318	P0528318	SWITCH BOX
318-1	P0528318-1	STRAIN RELIEF
319	P0528319	KEY SOCKET
320	P0528320	BLACK WIRE
321	P0528321	WHITE WIRE
322	P0528322	GROUND WIRE
323	P0528323	POWER WIRE
324	P0528324	PHLP HD SCR 1/4-20 X 1-1/2
332	P0528332	FENCE BODY (RIGHT)
333	P0528333	UPPER ANGLE PLATE (RIGHT)
334	P0528334	RUBBER PLATE
335	P0528335	45° POSITIONER (RIGHT)
342	P0528342	T-BOLT 1/4-20 X 1



# Labels and Parts List



REF	PART #	DESCRIPTION
326	P0528326	MACHINE ID/WARNING LABEL
327	PLABEL-11	SAFETY GLASSES LABEL
328	PLABEL-14	ELECTRICITY LABEL

REF	PART #	DESCRIPTION
329	PLABEL-12	READ MANUAL LABEL
330	P0528330	PINCH FINGERS LABEL
331	P0528331	GRIZZLY LABEL

## WARNING

Safety labels warn about machine hazards and ways to prevent injury. The owner of this machine **MUST** maintain the original location and readability of the labels on the machine. If any label is removed or becomes unreadable, **REPLACE** that label before using the machine again. Contact Grizzly at (800) 523-4777 or [www.grizzly.com](http://www.grizzly.com) to order new labels.

