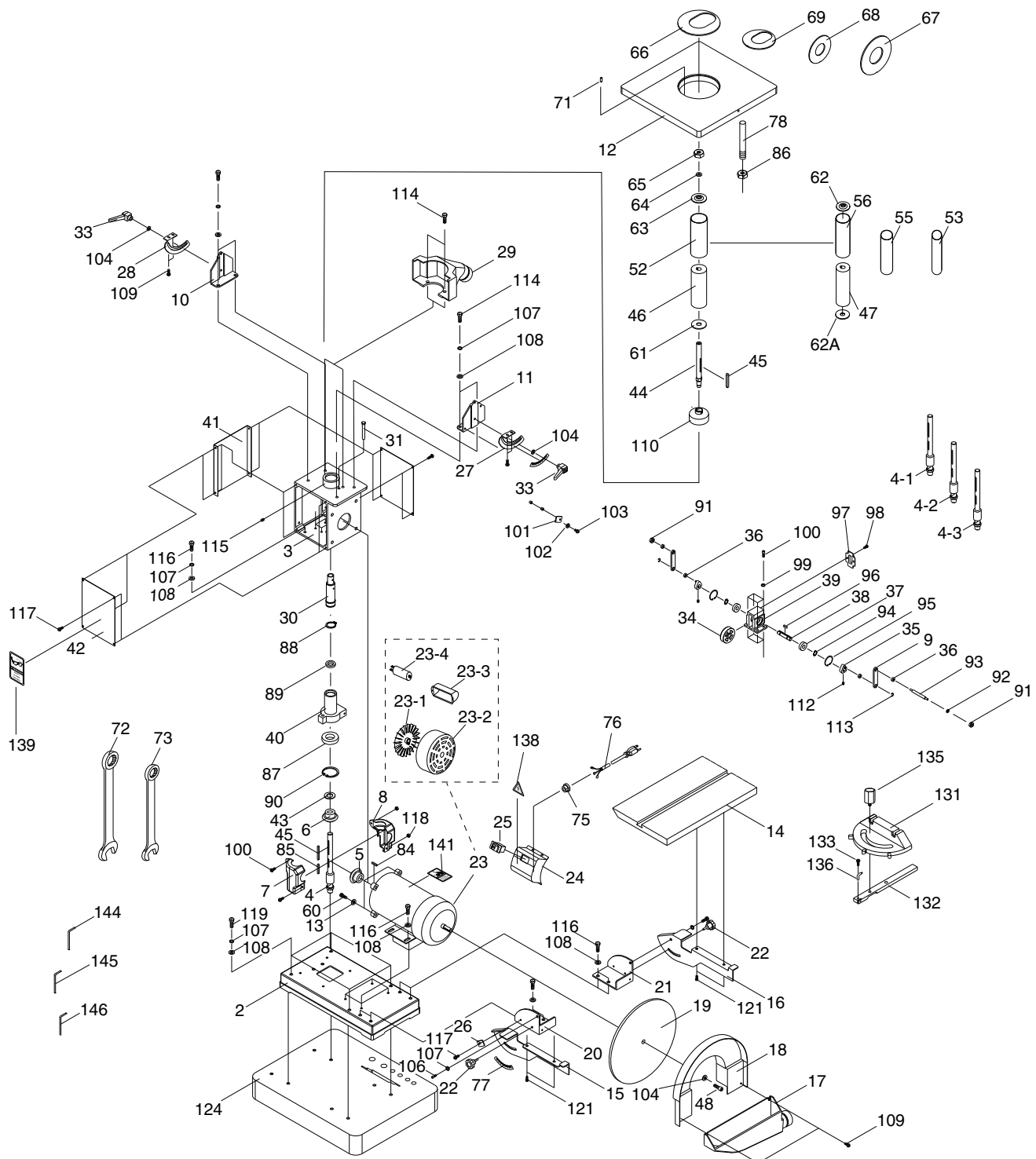


SECTION 9: PARTS

We do our best to stock replacement parts when possible, but we cannot guarantee that all parts shown are available for purchase. Call (800) 523-4777 or visit www.grizzly.com/parts to check for availability.

Frame Breakdown



Main Parts List

REF	PART #	DESCRIPTION
2	P0529002	BASE UPPER
3	P0529003	FRAME
4	P0529004	SPINDLE 2"
4-1	P0529004-1	SPINDLE 1-1/2"
4-2	P0529004-2	SPINDLE 5/8"
4-3	P0529004-3	SPINDLE 1/4"
5	P0529005	HELICAL BEVEL GEAR
6	P0529006	PU HELICAL BEVEL GEAR
7	P0529007	RIGHT OIL BOX
8	P0529008	LEFT OIL BOX
9	P0529009	CONNECTION ROD
10	P0529010	RIGHT BRACKET
11	P0529011	LEFT BRACKET
12	P0529012	WORKING TABLE
13	P0529013	FLAT WASHER 3/8
14	P0529014	WORKING TABLE
15	P0529015	FRONT GRADUATED SCALE
16	P0529016	REAR GRADUATED SCALE
17	P0529017	DUST HOOD
18	P0529018	DISC GUARD
19	P0529019	DISC
20	P0529020	FRONT BRACKET
21	P0529021	REAR BRACKET
22	P0529022	HAND KNOB
23	P0529023	MOTOR 1 HP
23-1	P0529023-1	MOTOR FAN
23-2	P0529023-2	FAN COVER
23-3	P0529023-3	CAPACITOR COVER
23-4	P0529023-4	CAPACITOR
24	P0529024	SWITCH BOX
25	P0529025	PADDLE SWITCH WITH KEY
26	P0529026	INDICATOR
27	P0529027	RIGHT TRUNNION W/SCALE
28	P0529028	LEFT TRUNNION
29	P0529029	DUST HOOD
30	P0529030	SPINDLE
31	P0529031	GUIDE ROD
33	P0529033	HANDLE
34	P0529034	WORM GEAR
35	P0529035	CAM
36	P0529036	COPPER SLEEVE
37	P0529037	BALL BEARING 6001ZZ
38	P0529038	WORM GEAR SHAFT
39	P0529039	WORM GEAR HOUSING
40	P0529040	CONNECTION PIECE
41	P0529041	SIDE COVER
42	P0529042	FRONT AND REAR COVER
43	P0529043	SPACER
44	P0529044	ARBOR 5/8

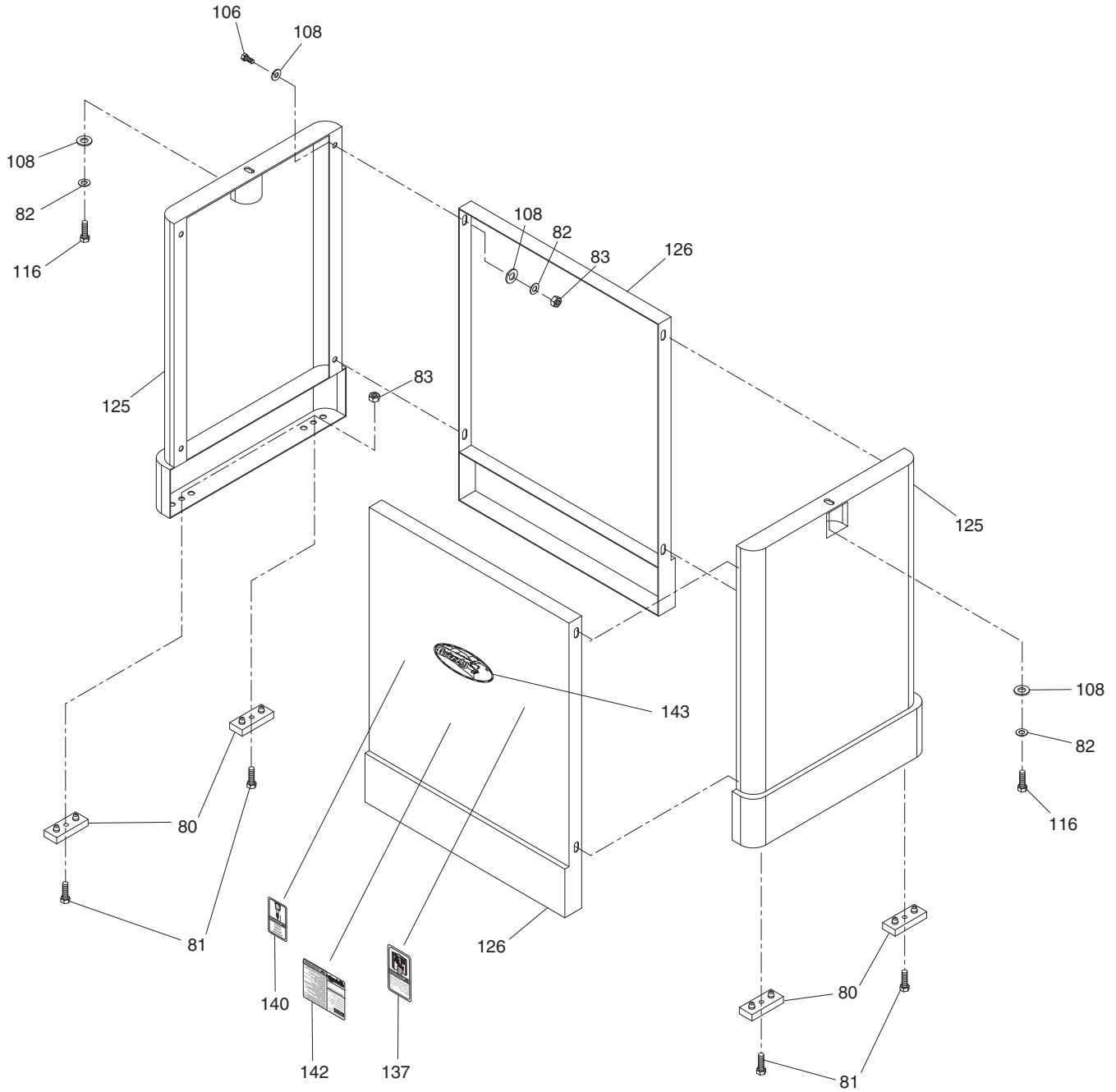
REF	PART #	DESCRIPTION
45	P0529045	KEY 5 X 5 X 50
46	P0529046	RUBBER PAD 2
47	P0529047	RUBBER PAD 1- 1/2
48	P0529048	CAP SCREW 1/4-20 X 3/4
52	P0529052	SANDING SLEEVE 2
53	P0529053	SANDING SLEEVE 1/4
55	P0529055	SANDING SLEEVE 5/8
56	P0529056	SANDING SLEEVE 1-1/2
60	P0529060	HEX BOLT M10-1.5 X 25
61	P0529061	LOWER FLANGE 2"
62	P0529062	UPPER FLANGE 1-1/2"
62A	P0529062A	LOWER FLANGE 1-1/2"
63	P0529063	UPPER FLANGE 2"
64	P0529064	FLAT WASHER 5/16
65	P0529065	HEX NUT 5/16-18 (LH)
66	P0529066	ELLIPTICAL TABLE INSERT 2"
67	P0529067	ROUND TABLE INSERT 2"
68	P0529068	ROUND TABLE INSERT 3/4"
69	P0529069	ELLIPTICAL TABLE INSERT 3/4"
71	P0529071	ROLL PIN 3 X 12
72	P0529072	WRENCH 14 X 17
73	P0529073	COMBO WRENCH 12/14MM
75	P0529075	STRAIN RELIEF BUSHING
76	P0529076	POWER CORD
77	P0529077	GRADUATED SCALE
78	P0529078	POSITIONING ROD
84	P0529084	KEY 5 X 5 X 15
85	P0529085	KEY 6 X 6 X 30
86	P0529086	HEX NUT 3/8-16
87	P0529087	BALL BEARING 6006ZZ
88	P0529088	EXT RETAINING RING 28MM
89	P0529089	BALL BEARING 6804ZZ
90	P0529090	INT RETAINING RING 60MM
91	P0529091	LOCK NUT M5-.8
92	P0529092	WASHER 5MM
93	P0529093	CONNECTION SHAFT
94	P0529094	EXT RETAINING RING 12MM
95	P0529095	INT RETAINING RING 28MM
96	P0529096	KEY 4 X 4 X15
97	P0529097	REAR OIL COVER
98	P0529098	PHLP HD SCR 10-24 X 1/4
99	P0529099	LOCK WASHER 6MM
100	P0529100	CAP SCREW M6-1 X 15
101	P0529101	POINTER
102	P0529102	LOCK WASHER 5MM
103	P0529103	PHLP HD SCR M5-.8 X 25
104	P0529104	FLAT WASHER 1/4
106	P0529106	HEX BOLT 5/16-18 X 3/4
107	P0529107	LOCK WASHER 5/16

Main Parts List (Continued)

REF	PART #	DESCRIPTION
108	P0529108	FLAT WASHER 5/16
109	P0529109	CAP SCREW M5-.8 X 12
110	P0529110	COVER
112	P0529112	SET SCREW M4-.7 X 5
113	P0529113	E-CLIP 4MM
114	P0529114	HEX BOLT M8-1.25 X 25
115	P0529115	SETSCREW M6-1 X 5
116	P0529116	HEX BOLT 5/16-18 X 3/4
117	P0529117	PHLP HD SCR 10-24 X 3/8
118	P0529118	HEX NUT M6-1
119	P0529119	HEX BOLT 5/16-18 X 3
121	P0529121	HEX BOLT 1/4-20 X 1/2

REF	PART #	DESCRIPTION
124	P0529124	STAND TOP
131	P0529131	MITER GAUGE BODY
132	P0529132	MITER GAUGE BAR
133	P0529133	PHLP HD SCR 10-24 X 3/8
135	P0529135	MITER GAUGE KNOB
136	P0529136	POINTER
138	P0529138	WARNING LABEL-ELECTRICITY
139	P0529139	WARNING LABEL-GLASSES
141	P0529141	WARNING LABEL-DISCONNECT
144	P0529144	HEX WRENCH 4MM
145	P0529145	HEX WRENCH 5MM
146	P0529146	HEX WRENCH 6MM

Cabinet Breakdown



REF	PART #	DESCRIPTION
80	P0529080	PAD
81	P0529081	FLAT HD SCR 5/16-18 X 3/4
82	P0529082	LOCK WASHER 5/16
83	P0529083	HEX NUT 5/16-18
106	P0529106	HEX BOLT 5/16-18 X 3/4
108	P0529108	FLAT WASHER 5/16
116	P0529116	HEX BOLT 5/16-18 X 3/4

REF	PART #	DESCRIPTION
125	P0529125	RIGHT OR LEFT PANEL
126	P0529126	FRONT OR REAR PANEL
137	P0529137	WARNING LABEL-READ MANUAL
140	P0529140	WARNING LABEL-DUST MASK
142	P0529142	MACHINE ID LABEL
143	P0529143	GRIZZLY LOGO