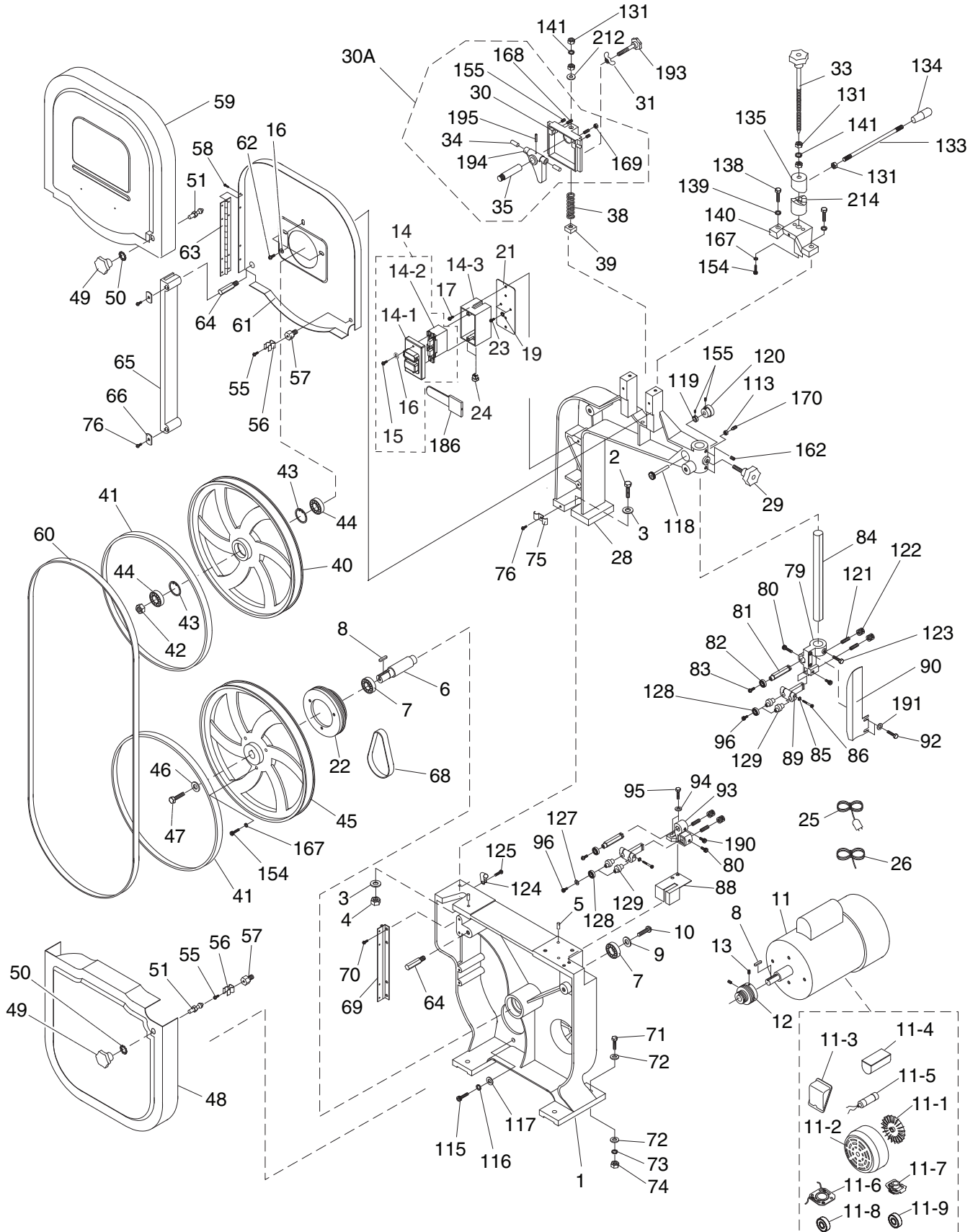


# Main Parts



**Please Note:** We do our best to stock replacement parts whenever possible, but we cannot guarantee that all parts shown here are available for purchase. Call (800) 523-4777 or visit our online parts store at [www.grizzly.com](http://www.grizzly.com) to check for availability.



# Main Parts List

REF	PART #	DESCRIPTION
1	P0555LA35001	BASE (GREEN)
2	P0555LA35002	HEX BOLT 5/8-11 X 2-1/2
3	P0555LA35003	FLAT WASHER 5/8
4	P0555LA35004	HEX NUT 5/8-11
5	P0555LA35005	GUIDE PIN 6 X 15MM
6	P0555LA35006	LOWER WHEEL SHAFT
7	P0555LA35007	BALL BEARING 6204-2RS
8	P0555LA35008	KEY 5 X 5 X 25
9	P0555LA35009	FLAT WASHER 5/16
10	P0555LA35010	HEX BOLT 5/16-18 X 5/8
11	P0555LA35011	MOTOR 1HP 110V/220V 1-PH
11-1	P0555LA35011-1	MOTOR FAN
11-2	P0555LA35011-2	FAN COVER
11-3	P0555LA35011-3	WIRING BOX
11-4	P0555LA35011-4	CAPACITOR COVER
11-5	P0555LA35011-5	S CAPACITOR 300uf 125V 2 X 3-1/2
11-6	P0555LA35011-6	CONTACTOR PLATE
11-7	P0555LA35011-7	CENTRIFUGAL SWITCH 1725 RPM
11-8	P0555LA35011-8	BALL BEARING 6205-2RS
11-9	P0555LA35011-9	BALL BEARING 6204-2RS
12	P0555LA35012	MOTOR PULLEY (J5-TYPE)
13	P0555LA35013	SET SCREW 1/4-20 X 1/2
14	P0555LA35014	PUSH BUTTON SWITCH ASSY
14-1	P0555LA35014-1	SWITCH COVER
14-2	P0555LA35014-2	SWITCH CONTROL
14-3	P0555LA35014-3	SWITCH BOX
15	P0555LA35015	TAP SCREW #10 X 1
16	P0555LA35016	FLAT WASHER 10MM
17	P0555LA35017	PHLP HD SCR 10-24 X 5/8
19	P0555LA35019	EXT TOOTH WASHER 10MM
21	P0555LA35021	SWITCH PLATE
22	P0555LA35022	WHEEL PULLEY (J5-TYPE)
23	P0555LA35023	PHLP HD SCR 10-24 X 1/4
24	P0555LA35024	STRAIN RELIEF 3/4" TYPE -1 SNAP IN
25	P0555LA35025	POWER CORD 16G 3W 6' 5-15P
26	P0555LA35026	MOTOR CORD 16G 3W
28	P0555LA35028	UPPER FRAME ARM (GREEN)
29	P0555LA35029	KNOB BOLT 5/16-18 X 3/4, 6-LOBE
30	P0555LA35030	SLIDING HOUSING
30A	P0555LA35030A	SLIDING HOUSING ASSY
31	P0555LA35031	WING NUT 5/16-18
33	P0555LA35033	TENSION BOLT 3/8-16 X 11-5/8
34	P0555LA35034	PIVOT PIN W/FLAT SIDE
35	P0555LA35035	UPPER WHEEL SHAFT
38	P0555LA35038	COMPRESSION SPRING
39	P0555LA35039	INDICATOR NUT 3/8 X 16
40	P0555LA35040	UPPER WHEEL
41	P0555LA35041	WHEEL TIRE

REF	PART #	DESCRIPTION
42	P0555LA35042	LOCK NUT 1/2-20 THIN
43	P0555LA35043	INT RETAINING RING 35MM
44	P0555LA35044	BALL BEARING 6202-2RS
45	P0555LA35045	LOWER WHEEL
46	P0555LA35046	FLAT WASHER 5/16
47	P0555LA35047	HEX BOLT 5/16-18 X 3/4 LH
48	P0555LA35048	LOWER WHEEL COVER (BEIGE)
49	P0555LA35049	KNOB 5/16-18
50	P0555LA35050	INT TOOTH WASHER 8MM
51	P0555LA35051	STUD LATCH
55	P0555LA35055	PHLP HD SCR 10-24 X 1/2
56	P0555LA35056	CATCH
57	P0555LA35057	LOCATING BOLT
58	P0555LA35058	TAP SCREW #8 X 3/8
59	P0555LA35059	FR UPPER WHEEL COVER (BEIGE)
60	P0555LA35060	SAW BLADE 93-1/2 X 3/8 X 6TPI HOOK
61	P0555LA35061	REAR UPPER COVER (BEIGE)
62	P0555LA35062	FLANGE SCREW 10-24 X 3/8
63	P0555LA35063	UPPER HINGE (BLACK)
64	P0555LA35064	STANDOFF STUD (HEX MF)
65	P0555LA35065	SAW BLADE GUARD (BLACK)
66	P0555LA35066	BLADE GUARD WASHER #10
68	P0555LA35068	RIBBED V-BELT 200J5
69	P0555LA35069	LOWER HINGE (BLACK)
70	P0555LA35070	PHLP HD SCR 10-24 X 3/8
71	P0555LA35071	HEX BOLT 5/16-18 X 1-1/2
72	P0555LA35072	FLAT WASHER 5/16
73	P0555LA35073	LOCK WASHER 5/16
74	P0555LA35074	HEX NUT 5/16-18
75	P0555LA35075	CORD CLAMP
76	P0555LA35076	PHLP HD SCR 10-24 X 1/2
79	P0555LA35079	UPPER BLADE GUIDE CASTING
80	P0555LA35080	CAP SCREW 1/4-20 X 1/2
81	P0555LA35081	BEARING ARBOR
82	P0555LA35082	BALL BEARING 6000-2RS
83	P0555LA35083	FLAT HD SCR 1/4-20 X 5/16
84	P0555LA35084	GUIDE POST
85	P0555LA35085	LOCK WASHER #10
86	P0555LA35086	CAP SCREW 10-24 X 1-3/4
88	P0555LA35088	LOWER BLADE GUIDE BRACKET
89	P0555LA35089	GUIDE SHAFT BRACKET
90	P0555LA35090	UPPER BLADE GUARD (RED)
92	P0555LA35092	PHLP HD SCR 10-24 X 3/8
93	P0555LA35093	LOWER BRACKET POST
94	P0555LA35094	FLAT WASHER 1/4
95	P0555LA35095	HEX BOLT 1/4-20 X 3/4
96	P0555LA35096	CAP SCREW 10-32 X 1/4



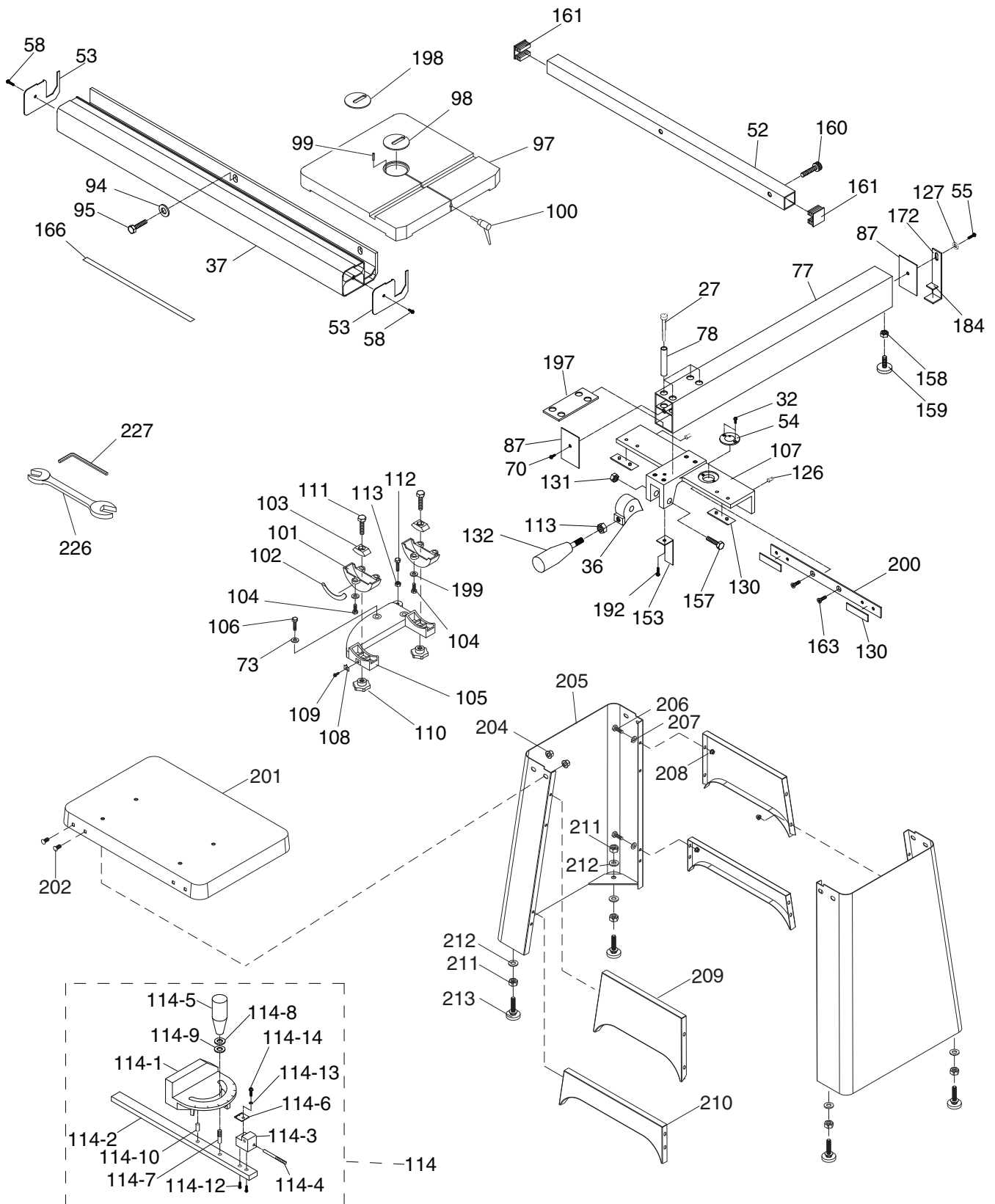
# Main Parts List

REF	PART #	DESCRIPTION
113	P0555LA35113	HEX NUT 5/16-18
115	P0555LA35115	HEX BOLT 5/16-18 X 1
116	P0555LA35116	LOCK WASHER 5/16
117	P0555LA35117	FLAT WASHER 5/16
118	P0555LA35118	PINION SHAFT
119	P0555LA35119	LOCK COLLAR
120	P0555LA35120	GUIDE POST CONTROL KNOB
121	P0555LA35121	SET SCREW 5/16-24 X 1-1/2
122	P0555LA35122	ADJUST NUT
123	P0555LA35123	CAP SCREW 1/4-20 X 5/8
124	P0555LA35124	CORD CLAMP 3/8
125	P0555LA35125	PHLP HD SCR 10-24 X 1/2
127	P0555LA35127	FLAT WASHER #10
128	P0555LA35128	BALL BEARING 608-2RS
129	P0555LA35129	ECCENTRIC 3/8"
131	P0555LA35131	HEX NUT 3/8-16
133	P0555LA35133	STUD-UDE 3/8-16 X 10 1, 3/4
134	P0555LA35134	PLASTIC HANDLE 3/8-16
135	P0555LA35135	UPPER CLUTCH

REF	PART #	DESCRIPTION
136	P0555LA35136	ECCENTRIC 1/4"
138	P0555LA35138	HEX BOLT 5/16-18 X 1-1/4
139	P0555LA35139	LOCK WASHER 5/16
140	P0555LA35140	CLUTCH SUPPORT BRACKET
141	P0555LA35141	LOCK WASHER 3/8
154	P0555LA35154	CAP SCREW 1/4-20 X 1
155	P0555LA35155	SET SCREW 1/4-20 X 5/16
167	P0555LA35167	LOCK WASHER 1/4
168	P0555LA35168	SET SCREW 1/4-20 X 1
169	P0555LA35169	HEX NUT 1/4-20
170	P0555LA35170	SET SCR 5/16-18 X 1/2 DOG-PT
186	P0555LA35186	SWITCH PADLOCK
190	P0555LA35190	CAP SCREW 1/4-20 X 3/8
191	P0555LA35191	FLAT WASHER 5MM
193	P0555LA35193	KNOB BOLT 5/16-18 X 2
194	P0555LA35194	SHAFT BRACKET
195	P0555LA35195	ROLL PIN 4 X 30
212	P0555LA35212	FLAT WASHER 3/8
214	P0555LA35214	LOWER CLUTCH



# Table, Fence, & Stand Parts



# Table, Fence, & Stand Parts List

REF	PART #	DESCRIPTION
27	P0555LA35027	CAP SCREW 1/4-20 X 2-1/2
32	P0555LA35032	PHLP HD SCR M8-1.25 X 30
36	P0555LA35036	LOCK CAM
37	P0555LA35037	FRONT FENCE RAIL
52	P0555LA35052	REAR FENCE RAIL
53	P0555LA35053	FRONT RAIL END CAP
54	P0555LA35054	MAGNIFYING LENS
55	P0555LA35055	PHLP HD SCR 10-24 X 1/2
58	P0555LA35058	TAP SCREW #8 X 3/8
70	P0555LA35070	PHLP HD SCR 10-24 X 3/8
73	P0555LA35073	LOCK WASHER 5/16
77	P0555LA35077	FENCE
78	P0555LA35078	SPACER
87	P0555LA35087	FENCE END CAP
94	P0555LA35094	FLAT WASHER 1/4
95	P0555LA35095	HEX BOLT 1/4-20 X 3/4
97	P0555LA35097	TABLE (GREEN)
98	P0555LA35098	TABLE INSERT (LARGE SLOT)
99	P0555LA35099	ROLL PIN 3 X 8
100	P0555LA35100	TABLE LOCK PIN
101	P0555LA35101	TRUNNION
102	P0555LA35102	TILT SCALE
103	P0555LA35103	TRUNNION CLAMP SHOE
104	P0555LA35104	HEX BOLT 1/4-20 X 1/2
105	P0555LA35105	TRUNNION BASE
106	P0555LA35106	HEX BOLT 5/16-18 X 1-1/4
107	P0555LA35107	FENCE CARRIAGE ALUMINUM
108	P0555LA35108	POINTER
109	P0555LA35109	PHLP HD SCR 10-24 X 1/4
110	P0555LA35110	KNOB 3/8-16 6-LOBE
111	P0555LA35111	HEX BOLT 3/8-16 X 2
112	P0555LA35112	HEX BOLT 5/16-18 X 1-3/4
113	P0555LA35113	HEX NUT 5/16-18
114	P0555LA35114	MITER GAUGE ASSY
114-1	P0555LA35114-1	MITER GAUGE BODY
114-2	P0555LA35114-2	MITER BAR
114-3	P0555LA35114-3	STOP BLOCK
114-4	P0555LA35114-4	STOP DOWEL
114-5	P0555LA35114-5	MITER HANDLE 1/4-20
114-6	P0555LA35114-6	SCALE PLATE
114-7	P0555LA35114-7	STUD-SE 1/4-20 X 1-1/8, 1/2

REF	PART #	DESCRIPTION
114-8	P0555LA35114-8	FLAT WASHER 1/4 PLASTIC
114-9	P0555LA35114-9	FLAT WASHER 1/4
114-10	P0555LA35114-10	STUD-SE 1/4-20 X 3/4 1/4
114-12	P0555LA35114-12	FLAT HD SCR 10-24 X 1/2
114-13	P0555LA35114-13	FLAT WASHER 5MM
114-14	P0555LA35114-14	PHLP HD SCR 10-24 X 1/2
126	P0555LA35126	SET SCREW 5/16-18 X 3/8
127	P0555LA35127	FLAT WASHER #10
130	P0555LA35130	BEARING PAD
131	P0555LA35131	HEX NUT 3/8-16
132	P0555LA35132	FIXED BOLT 5/16-18
153	P0555LA35153	CAM WEAR PLATE
157	P0555LA35157	HEX BOLT 3/8-16 X 2
158	P0555LA35158	HEX NUT M6-1
159	P0555LA35159	RUB FOOT M6-1.0
160	P0555LA35160	CAP SCREW 1/4-20 X 5/8
161	P0555LA35161	REAR RAIL END CAP
163	P0555LA35163	FLAT HD SCR 1/4-20 X 3/8
166	P0555LA35166	FENCE SCALE
172	P0555LA35172	L-BRACE
184	P0555LA35184	FENCE PAD
192	P0555LA35192	FLANGE SCREW 10-24 X 3/8
197	P0555LA35197	FENCE MOUNTING PLATE
198	P0555LA35198	TABLE INSERT (SMALL SLOT)
199	P0555LA35199	FLAT WASHER 1/4
200	P0555LA35200	FENCE ADJUSTMENT PLATE
201	P0555LA35201	STAND TOP (BLACK)
202	P0555LA35202	CARRIAGE BOLT 5/16-18 X 5/8
204	P0555LA35204	FLANGE NUT 5/16-18
205	P0555LA35205	STAND SIDE (BLACK)
206	P0555LA35206	HEX BOLT 1/4-20 X 5/8
207	P0555LA35207	FLAT WASHER 1/4
208	P0555LA35208	FLANGE NUT 1/4-20
209	P0555LA35209	UPPER STAND BRACE (BLACK)
210	P0555LA35210	LOWER STAND BRACE (BLACK)
211	P0555LA35211	HEX NUT 3/8-16
212	P0555LA35212	FLAT WASHER 3/8
213	P0555LA35213	STAND FOOT 3/8-16 X 2
226	P0555LA35226	WRENCH 10 X 12MM OPEN-ENDS
227	P0555LA35227	HEX WRENCH 5MM

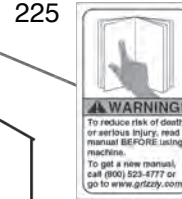




# Labels & Cosmetics

219 **G0555LA35**

215



218

225

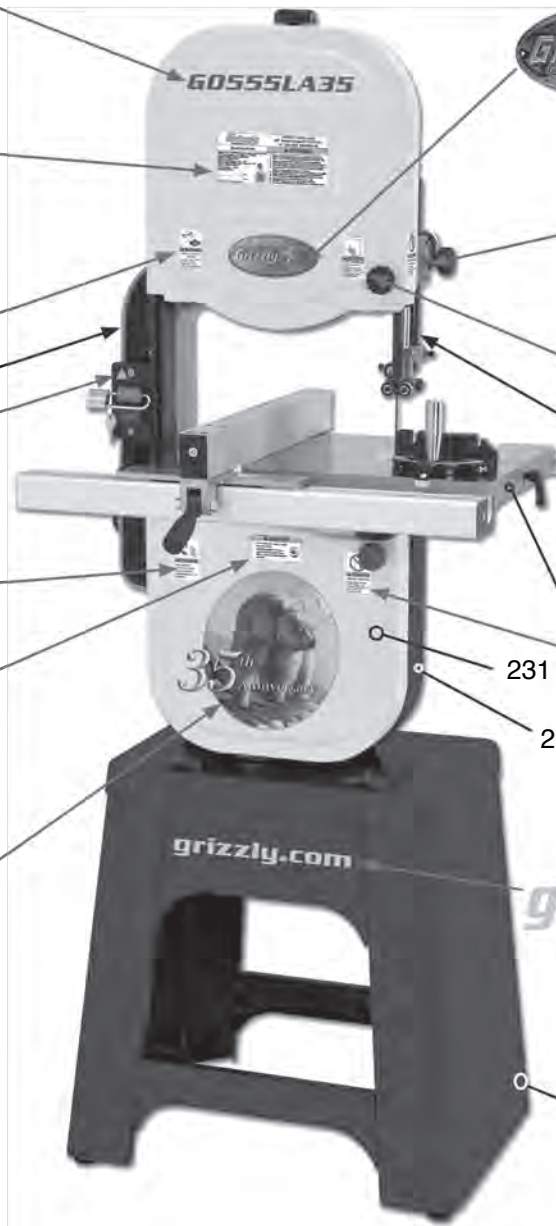
230

224

229

228

217



218

216

231

218

220

221

REF	PART #	DESCRIPTION
215	P0555LA35215	MACHINE ID LABEL
216	P0555LA35216	BANDSAW DOOR WARNING LABEL
217	P0555LA35217	35TH ANNIVERSARY LABEL
218	P0555LA35218	TOUCH-UP PAINT, GRIZZLY GREEN
219	P0555LA35219	MODEL NUMBER LABEL
220	P0555LA35220	GRIZZLY.COM LABEL
221	P0555LA35221	TOUCH-UP PAINT, ANNIV EDITION BLACK
222	P0555LA35222	GRIZZLY NAMEPLATE 4.93" X 2.40"

REF	PART #	DESCRIPTION
223	P0555LA35223	ELECTRICITY LABEL
224	P0555LA35224	EYE LUNG INJURY LABEL
225	P0555LA35225	READ MANUAL LABEL
228	P0555LA35228	DAMPNESS EXPOSURE
229	P0555LA35229	DISCONNECT POWER LABEL
230	P0555LA35230	BLADE DIRECTION LABEL
231	P0555LA35231	TOUCH-UP PAINT, BEIGE

**⚠ WARNING**

Safety labels help reduce the risk of serious injury caused by machine hazards. If any label comes off or becomes unreadable, the owner of this machine **MUST** replace it in the original location before resuming operations. For replacements, contact (800) 523-4777 or [www.grizzly.com](http://www.grizzly.com).

