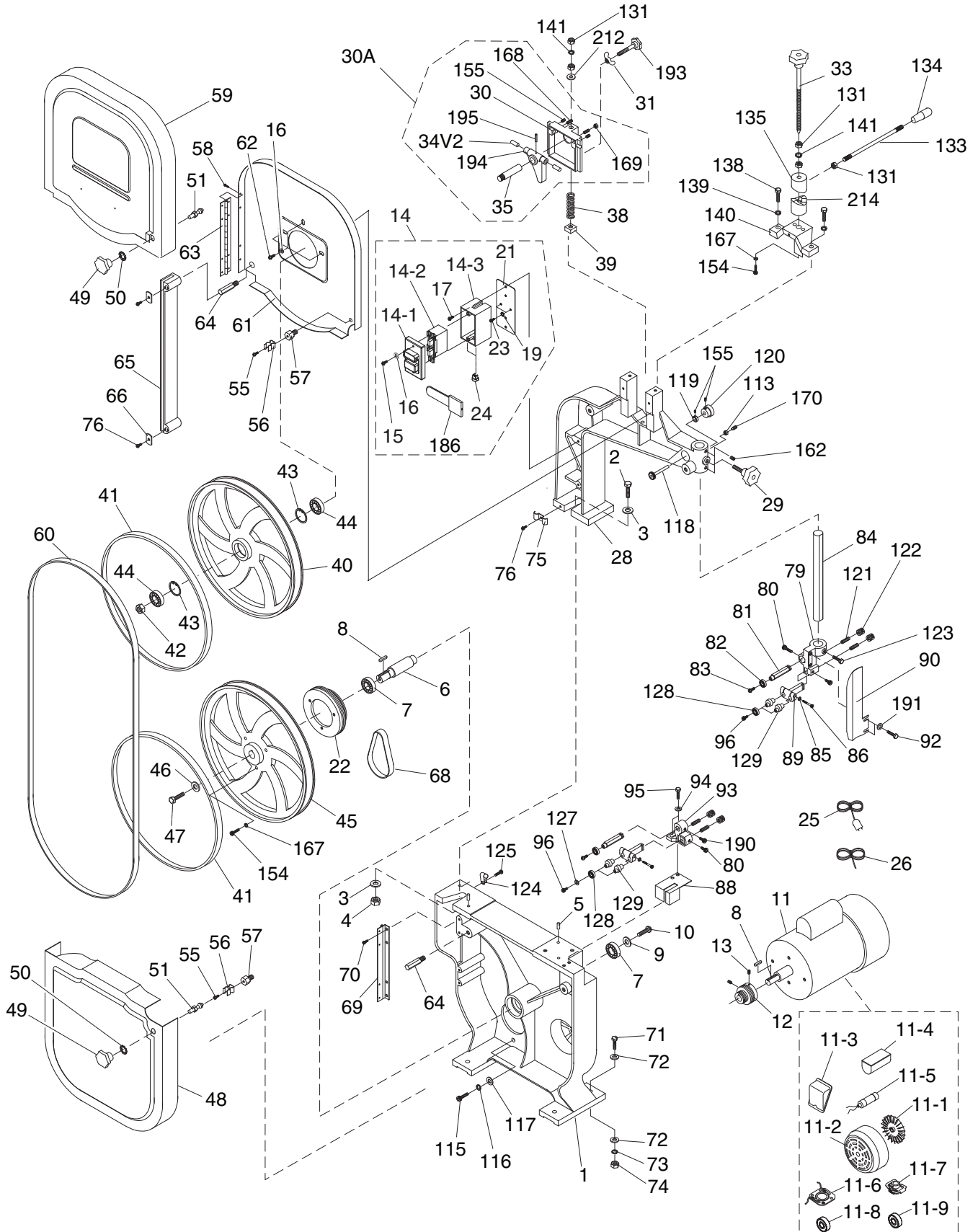


# Main Parts



**Please Note:** We do our best to stock replacement parts whenever possible, but we cannot guarantee that all parts shown here are available for purchase. Call (800) 523-4777 or visit our online parts store at [www.grizzly.com](http://www.grizzly.com) to check for availability.



# Main Parts List

REF	PART #	DESCRIPTION
1	P0555LANV001	BASE (BLACK)
2	PB64	HEX BOLT 5/8-11 X 2-1/2
3	PW14	FLAT WASHER 5/8
4	PN04	HEX NUT 5/8-11
5	P0555LX005	GUIDE PIN 6 X 15MM
6	P0555LX006	LOWER WHEEL SHAFT
7	P6204-2RS	BALL BEARING 6204-2RS
8	PK23M	KEY 5 X 5 X 25
9	PW07	FLAT WASHER 5/16
10	PB32	HEX BOLT 5/16-18 X 5/8
11	P0555LX011	MOTOR 1HP 110V/220V 1-PH
11-1	P0555LX011-1	MOTOR FAN
11-2	P0555LX011-2	FAN COVER
11-3	P0555LX011-3	WIRING BOX
11-4	P0555LX011-4	CAPACITOR COVER
11-5	P0555LX011-5	S CAPACITOR 300M 125V
11-6	P0555LX011-6	CONTACTOR PLATE
11-7	P0555LX011-7	CENTRIFUGAL SWITCH 1725 RPM
11-8	P6205-2RS	BALL BEARING 6205-2RS
11-9	P6204-2RS	BALL BEARING 6204-2RS
12	P0555LX012	MOTOR PULLEY (J5-TYPE)
13	PSS07	SET SCREW 1/4-20 X 1/2
14	P0555LX014	PUSH BUTTON SWITCH ASSY
14-1	P0555LX014-1	SWITCH COVER
14-2	P0555LX014-2	SWITCH CONTROL
14-3	P0555LX014-3	SWITCH BOX
15	PHTEK40	TAP SCREW #10 X 1
16	PW04M	FLAT WASHER 10MM
17	PS22	PHLP HD SCR 10-24 X 5/8
19	PTLW08M	EXT TOOTH WASHER 10MM
21	P0555LX021	SWITCH PLATE
22	P0555LX022	WHEEL PULLEY (J5-TYPE)
23	PS18	PHLP HD SCR 10-24 X 1/4
24	P0555LX024	STRAIN RELIEF
25	P0555LX025	POWER CORD 16G 3W 6FT 5-15P
26	P0555LX026	MOTOR CORD 16G 3W
28	P0555LANV028	UPPER FRAME ARM (BLACK)
29	P0555LX029	STAR KNOB BOLT 5/16-18 X 3/4
30	P0555LX030	SLIDING HOUSING
30A	P0555LX030A	SLIDING HOUSING ASSY
31	PWN03	WING NUT 5/16-18
33	P0555LX033	TENSION BOLT 3/8-16 X 11-5/8
34V2	P0555LX034V2	PIVOT PIN W/FLAT SIDE V2.07.12
35	P0555LX035	UPPER WHEEL SHAFT
38	P0555LX038	COMPRESSION SPRING
39	P0555LX039	INDICATOR NUT 3/8 X 16
40	P0555LX040	UPPER WHEEL
41	P0555LX041	WHEEL TIRE
42	PN01	HEX NUT 1/2-20
43	PR21M	INT RETAINING RING 35MM
44	P6202-2RS	BALL BEARING 6202-2RS
45	P0555LX045	LOWER WHEEL
46	PW07	FLAT WASHER 5/16

REF	PART #	DESCRIPTION
47	PB104	HEX BOLT 5/16-18 X 3/4 LH
48	P0555LANV048	LOWER WHEEL COVER (BLACK)
49	P0555LX049	KNOB 5/16-18
50	PTLW03M	INT TOOTH WASHER 8MM
51	P0555LX051	STUD LATCH
55	PS01	PHLP HD SCR 10-24 X 1/2
56	P0555LX056	CATCH
57	P0555LX057	LOCATING BOLT
58	PHTEK7	TAP SCREW #8 X 3/8
59	P0555LANV059	FRONT UPPER WHEEL COVER (BLACK)
60	P0555LX060	SAW BLADE 93-1/2 X 3/8 X 6TPI HOOK
61	P0555LANV061	REAR UPPER COVER (BLACK)
62	PFS03	FLANGE SCREW 10-24 X 3/8
63	P0555LANV063	UPPER HINGE (BLACK)
64	P0555LX064	STANDOFF STUD (HEX MF)
65	P0555LANV065	SAW BLADE GUARD (BLACK)
66	P0555LX066	BLADE GUARD WASHER #10
68	P0555LX068	RIBBED V-BELT 200J5
69	P0555LANV069	LOWER HINGE (BLACK)
70	PS06	PHLP HD SCR 10-24 X 3/8
71	PB11	HEX BOLT 5/16-18 X 1-1/2
72	PW07	FLAT WASHER 5/16
73	PLW01	LOCK WASHER 5/16
74	PN02	HEX NUT 5/16-18
75	P0555LX075	CORD CLAMP
76	PS01	PHLP HD SCR 10-24 X 1/2
79	P0555LX079	UPPER BLADE GUIDE CASTING
80	PCAP04	CAP SCREW 1/4-20 X 1/2
81	P0555LX081	BEARING ARBOR
82	P6000-2RS	BALL BEARING 6000-2RS
83	PFH09	FLAT HD SCR 1/4-20 X 5/16
84	P0555LX084	GUIDE POST
85	PLW03	LOCK WASHER #10
86	PCAP110	CAP SCREW 10-24 X 1-3/4
88	P0555LX088	LOWER BLADE GUIDE BRACKET
89	P0555LX089	GUIDE SHAFT BRACKET
90	P0555LANV090	UPPER BLADE GUARD (ORANGE)
92	PS06	PHLP HD SCR 10-24 X 3/8
93	P0555LX093	LOWER BRACKET POST
94	PW06	FLAT WASHER 1/4
95	PB05	HEX BOLT 1/4-20 X 3/4
96	PCAP109	CAP SCREW 10-32 X 1/4
113	PN02	HEX NUT 5/16-18
115	PB03	HEX BOLT 5/16-18 X 1
116	PLW01	LOCK WASHER 5/16
117	PW07	FLAT WASHER 5/16
118	P0555LX118	PINION SHAFT
119	P0555LX119	LOCK COLLAR
120	P0555LX120	GUIDE POST CONTROL KNOB
121	PSS100	SET SCREW 5/16-24 X 1-1/2
122	P0555LX122	ADJUST NUT
123	PCAP01	CAP SCREW 1/4-20 X 5/8
124	P0555LX124	CORD CLAMP 3/8



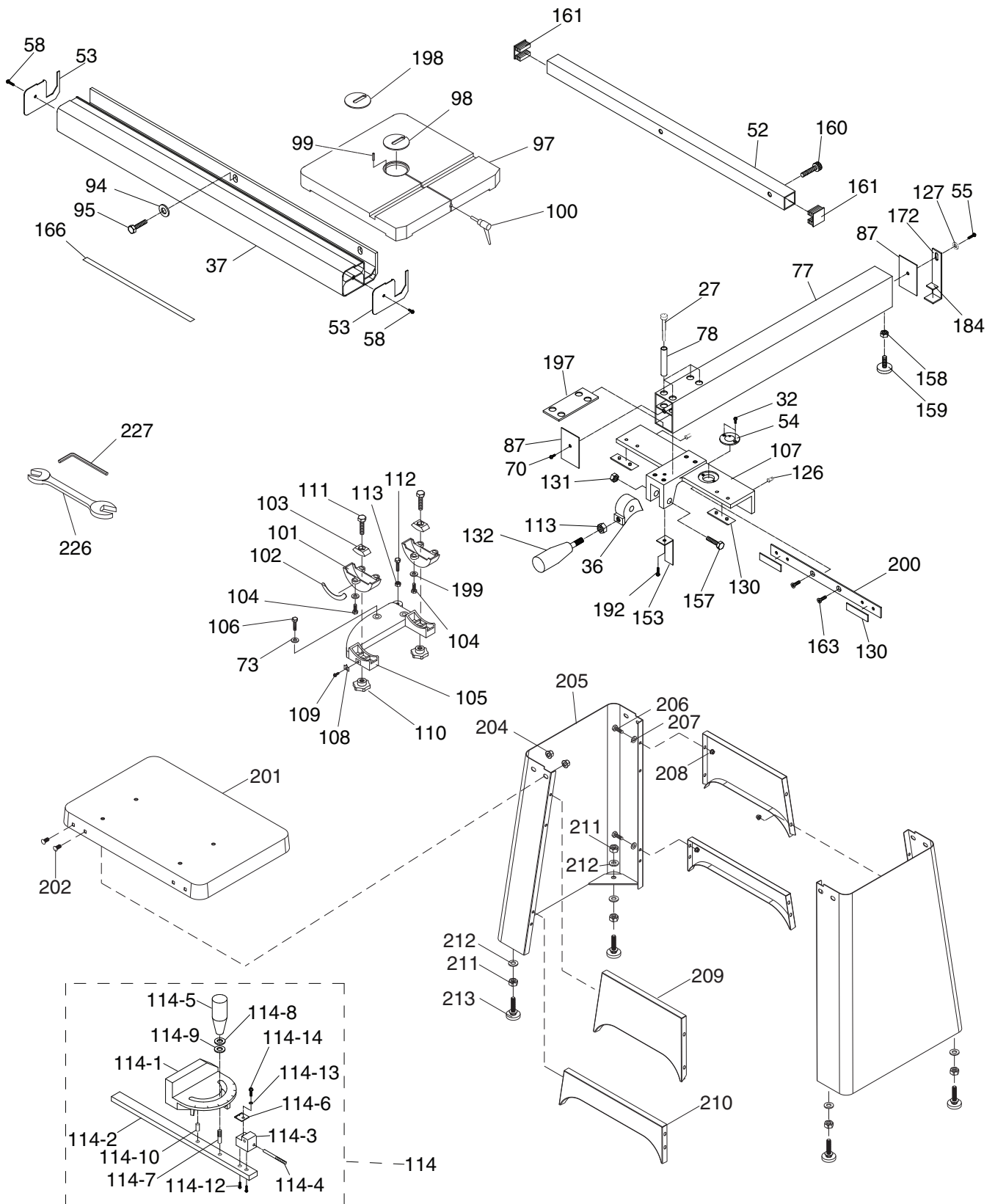
# Main Parts List

REF	PART #	DESCRIPTION
125	PS01	PHLP HD SCR 10-24 X 1/2
127	PW03	FLAT WASHER #10
128	P608-2RS	BALL BEARING 608-2RS
129	P0555LX129	ECCENTRIC
131	PN08	HEX NUT 3/8-16
133	P0555LX133	STUD-UDE 3/8-16 X 10 1, 3/4
134	P0555LX134	PLASTIC HANDLE 3/8-16
135	P0555LX135	UPPER CLUTCH
138	PB12	HEX BOLT 5/16-18 X 1-1/4
139	PLW01	LOCK WASHER 5/16
140	P0555LX140	CLUTCH SUPPORT BRACKET
141	PLW04	LOCK WASHER 3/8
154	PCAP06	CAP SCREW 1/4-20 X 1
155	PSS04	SET SCREW 1/4-20 X 5/16

REF	PART #	DESCRIPTION
162	P0555LX162	BALL PLUNGER 1/4-20 X 1/2
167	PLW02	LOCK WASHER 1/4
168	PSS12	SET SCREW 1/4-20 X 1
169	PN05	HEX NUT 1/4-20
170	P0555LX170	DOG PT SET SCR 5/16-18 X 1/2
186	P0555LX186	SWITCH PADLOCK
190	PCAP17	CAP SCREW 1/4-20 X 3/8
191	PW02M	FLAT WASHER 5MM
193	P0555LX193	KNOB BOLT 5/16-18 X 2
194	P0555LX194	SHAFT BRACKET
195	PRP73M	ROLL PIN 4 X 30
212	PW02	FLAT WASHER 3/8
214	P0555LX214	LOWER CLUTCH



# Table, Fence, & Stand Parts



# Table, Fence, & Stand Parts List

REF	PART #	DESCRIPTION
27	PCAP43	CAP SCREW 1/4-20 X 2-1/2
32	PS28M	PHLP HD SCR M8-1.25 X 30
36	P0555LX036	LOCK CAM
37	P0555LX037	FRONT FENCE RAIL
52	P0555LX052	REAR FENCE RAIL
53	P0555LX053	FRONT RAIL END CAP
54	P0555LX054	MAGNIFYING LENS
55	PS01	PHLP HD SCR 10-24 X 1/2
58	PHTEK7	TAP SCREW #8 X 3/8
70	PS06	PHLP HD SCR 10-24 X 3/8
73	PLW01	LOCK WASHER 5/16
77	P0555LX077	FENCE
78	P0555LX078	SPACER
87	P0555LX087	FENCE END CAP
94	PW06	FLAT WASHER 1/4
95	PB05	HEX BOLT 1/4-20 X 3/4
97	P0555LANV097	TABLE (ORANGE SIDE)
98	P0555LX098	TABLE INSERT (LARGE SLOT)
99	PRP15M	ROLL PIN 3 X 8
100	P0555LX100	TABLE LOCK PIN
101	P0555LX101	TRUNNION
102	P0555LX102	TILT SCALE
103	P0555LX103	TRUNNION CLAMP SHOE
104	PB19	HEX BOLT 1/4-20 X 1/2
105	P0555LX105	TRUNNION BASE
106	PB12	HEX BOLT 5/16-18 X 1-1/4
107	P0555LX107	FENCE CARRIAGE ALUMINUM
108	P0555LX108	POINTER
109	PS18	PHLP HD SCR 10-24 X 1/4
110	P0555LX110	STAR KNOB 3/8-16
111	P0555LX111	TRUNNION HEX BOLT 3/8-16 X 2
112	PB22	HEX BOLT 5/16-18 X 1-3/4
113	PN02	HEX NUT 5/16-18
114	P0555LX114	MITER GAUGE ASSY
114-1	P0555LX114-1	MITER GAUGE BODY
114-2	P0555LX114-2	MITER BAR
114-3	P0555LX114-3	STOP BLOCK
114-4	P0555LX114-4	STOP DOWEL
114-5	P0555LX114-5	MITER HANDLE 1/4-20
114-6	P0555LX114-6	SCALE PLATE
114-7	P0555LX114-7	STUD-SE 1/4-20 X 1-1/8 1/2

REF	PART #	DESCRIPTION
114-8	P0555LX114-8	FLAT WASHER 1/4 PLASTIC
114-9	PW06	FLAT WASHER 1/4
114-10	P0555LX114-10	STUD-SE 1/4-20 X 3/4 1/4
114-12	PFH08	FLAT HD SCR 10-24 X 1/2
114-13	PW02M	FLAT WASHER 5MM
114-14	PS01	PHLP HD SCR 10-24 X 1/2
126	PSS02	SET SCREW 5/16-18 X 3/8
127	PW03	FLAT WASHER #10
130	P0555LX130	BEARING PAD
131	PN08	HEX NUT 3/8-16
132	P0555LX132	HANDLE BOLT 5/16-18
153	P0555LX153	CAM WEAR PLATE
157	PB58	HEX BOLT 3/8-16 X 2
158	PN01M	HEX NUT M6-1
159	P0555LX159	RUB FOOT M6-1.0
160	PCAP01	CAP SCREW 1/4-20 X 5/8
161	P0555LX161	REAR RAIL END CAP
163	PFH19	FLAT HD SCR 1/4-20 X 3/8
166	P0555LX166	FENCE SCALE
172	P0555LX172	L-BRACE
184	P0555LX184	FENCE PAD
192	PFS03	FLANGE SCREW 10-24 X 3/8
197	P0555LX197	FENCE MOUNTING PLATE
198	P0555LX198	TABLE INSERT (SMALL SLOT)
199	PW06	FLAT WASHER 1/4
200	P0555LX200	FENCE ADJUSTMENT PLATE
201	P0555LANV201	STAND TOP (BLACK)
202	PCB01	CARRIAGE BOLT 5/16-18 X 5/8
204	PFN02	FLANGE NUT 5/16-18
205	P0555LANV205	STAND SIDE (BLACK)
206	PB02	HEX BOLT 1/4-20 X 5/8
207	PW06	FLAT WASHER 1/4
208	PFN01	FLANGE NUT 1/4-20
209	P0555LANV209	UPPER STAND BRACE (BLACK)
210	P0555LANV210	LOWER STAND BRACE (BLACK)
211	PN08	HEX NUT 3/8-16
212	PW02	FLAT WASHER 3/8
213	P0555LX213	STAND FOOT 3/8-16 X 2
226	PWR1012	WRENCH 10 X 12MM OPEN-END
227	PAW05M	HEX WRENCH 5MM



# Labels & Cosmetics



REF	PART #	DESCRIPTION
215	P0555LANV215	MACHINE ID LABEL CSA
216	P0555LANV216	BANDSAW DOOR WARNING LABEL
217	P0555LANV217	30TH ANNIVERSARY LABEL
218	P0555LANV218	PANTONE 151C ORANGE TOUCH-UP PAINT
219	P0555LANV219	MODEL NUMBER LABEL (PANTONE 151C)
220	P0555LANV220	GRIZZLY.COM LABEL (PANTONE 151C)

REF	PART #	DESCRIPTION
221	P0555LANV221	TOUCH-UP PAINT ANNIV EDITION BLACK
222	P0555LANV222	GRIZZLY BEAR LABEL 6" WIDE
223	P0555LANV223	ELECTRICITY LABEL
224	P0555LANV224	EYE LUNG INJURY LABEL
225	P0555LANV225	READ MANUAL LABEL

**⚠ WARNING**

Safety labels help reduce the risk of serious injury caused by machine hazards. If any label comes off or becomes unreadable, the owner of this machine **MUST** replace it in the original location before resuming operations. For replacements, contact (800) 523-4777 or [www.grizzly.com](http://www.grizzly.com).

