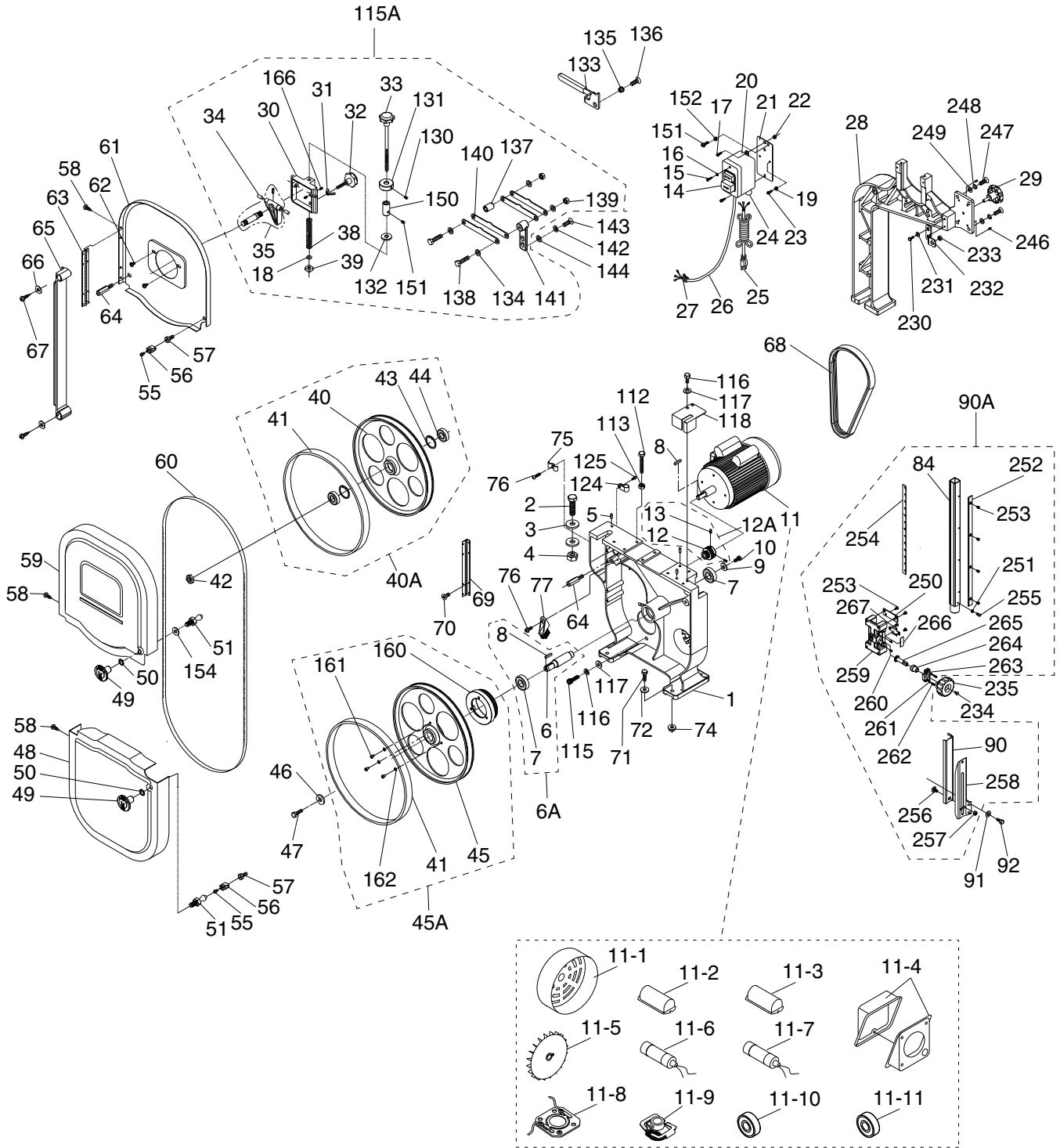


# SECTION 9: PARTS

## Main Parts



**Please Note:** We do our best to stock replacement parts whenever possible, but we cannot guarantee that all parts shown here are available for purchase. Call (800) 523-4777 or visit our online parts store at [www.grizzly.com](http://www.grizzly.com) to check for availability.



# Main Parts List

REF	PART #	DESCRIPTION
1	P0555XH001	BASE
2	P0555XH002	HEX BOLT M16-2 X 55
3	P0555XH003	FLAT WASHER 16MM
4	P0555XH004	HEX NUT M16-2
5	P0555XH005	ALIGNMENT PIN
6A	P0555XH006A	LOWER WHEEL SHAFT ASSY
6	P0555XH006	LOWER WHEEL SHAFT
7	P0555XH007	BALL BEARING 6204-2RS
8	P0555XH008	KEY 5 X 5 X 25
9	P0555XH009	FLAT WASHER 8MM
10	P0555XH010	BUTTON HD CAP SCR M8-1.25 X 16
11	P0555XH011	MOTOR 1-3/4 HP 110/220V 1-PH
11-1	P0555XH011-1	MOTOR FAN COVER
11-2	P0555XH011-2	S CAPACITOR COVER
11-3	P0555XH011-3	R CAPACITOR COVER
11-4	P0555XH011-4	MOTOR JUNCTION BOX
11-5	P0555XH011-5	MOTOR FAN
11-6	P0555XH011-6	S CAPACITOR 300MFD 250V, 1-3/8" X 2-11/16"
11-7	P0555XH011-7	R CAPACITOR 50uF 250V, 1-19/32" X 2-3/8"
11-8	P0555XH011-8	CONTACT PLATE
11-9	P0555XH011-9	CENTRIFUGAL SWITCH
11-10	P0555XH011-10	BALL BEARING 6205ZZ (FRONT)
11-11	P0555XH011-11	BALL BEARING 6203ZZ (BACK)
12A	P0555XH012A	MOTOR PULLEY ASSY
12	P0555XH012	MOTOR PULLEY
13	P0555XH013	SET SCREW M6-1 X 12
14	P0555XH014	ON/OFF SWITCH (PUSH BUTTON)
15	P0555XH015	TAP SCREW M3.5 X 12
16	P0555XH016	FLAT WASHER 4MM
17	P0555XH017	PHLP HD SCR M5-.8 X 16
18	P0555XH018	TENSION INDICATOR
19	P0555XH019	EXT TOOTH WASHER 5MM
20	P0555XH020	SWITCH BOX
21	P0555XH021	SWITCH BOX MOUNT PLATE
22	P0555XH022	SPRING NUT M4-.7
23	P0555XH023	PHLP HD SCR M5-.8 X 6
24	P0555XH024	STRAIN RELIEF TYPE-2 10MM
25	P0555XH025	POWER CORD 14G 3W 72" 5-15P
26	P0555XH026	MOTOR CORD 14G 3W 36"
27	P0555XH027	STRAIN RELIEF TYPE-2 10MM
28	P0555XH028	UPPER FRAME ARM
29	P0555XH029	KNOB BOLT M8-1.25 X 25, 6-LOBE, D40
30	P0555XH030	SLIDING BRACKET
31	P0555XH031	WING NUT M8-1.25
32	P0555XH032	KNOB BOLT M8-1.25 X 45, 6-LOBE, D44
33	P0555XH033	KNOB BOLT M10-1.5 X 80, 6-LOBE, D60
34	P0555XH034	STEEL PIN
35	P0555XH035	UPPER WHEEL SHAFT HINGE ASSY
38	P0555XH038	COMPRESSION SPRING
39	P0555XH039	SQUARE NUT M10-1.5
40A	P0555XH040A	UPPER WHEEL ASSY

REF	PART #	DESCRIPTION
40	P0555XH040	UPPER WHEEL
41	P0555XH041	WHEEL TIRE
42	P0555XH042	HEX NUT M12-1.75
43	P0555XH043	EXT RETAINING RING 35MM
44	P0555XH044	BALL BEARING 6202-2RS
45A	P0555XH045A	LOWER WHEEL ASSY
45	P0555XH045	LOWER WHEEL
46	P0555XH046	FLAT WASHER 8MM
47	P0555XH047	HEX BOLT M8-1.25 X 20 (LH)
48	P0555XH048	LOWER WHEEL GUARD
49	P0555XH049	KNOB M8-1.25, D39, ROUND
50	P0555XH050	INT TOOTH WASHER 8MM
51	P0555XH051	LATCH STUD M8-1.25 X 14
55	P0555XH055	PHLP HD SCR M5-.8 X 12
56	P0555XH056	CATCH
57	P0555XH057	PHLP HD SCR M5-.8 X 10
58	P0555XH058	TAP SCREW M4 X 8
59	P0555XH059	UPPER WHEEL FRONT COVER
60	P0555XH060	SAW BLADE 6TPI 3/8" X 105"
61	P0555XH061	UPPER BACK COVER
62	P0555XH062	FLANGE BOLT M8-1.25 X 8
63	P0555XH063	UPPER WHEEL COVER HINGE
64	P0555XH064	STANDOFF-HEX M M10-1.5 X 15
65	P0555XH065	BLADE GUARD (LEFT)
66	P0555XH066	FLAT WASHER 3.5MM
67	P0555XH067	TAP SCREW M3.5 X 16
68	P0555XH068	RIBBED V-BELT 2000J5
69	P0555XH069	LOWER WHEEL COVER HINGE
70	P0555XH070	FLAT HD SCR M5-.8 X 10
71	P0555XH071	HEX BOLT M8-1.25 X 35
72	P0555XH072	FLAT WASHER 8MM
74	P0555XH074	FLANGE NUT M8-1.25
75	P0555XH075	PLATE PROTECTOR
76	P0555XH076	PHLP HD SCR M5-.8 X 8
77	P0555XH077	WHEEL BRUSH
84	P0555XH084	GUIDE SHAFT
90A	P0555XH090A	UPPER SUPPORT BRACKET POST ASSY
90	P0555XH090	SUPPORT BRACKET
91	P0555XH091	FLAT WASHER 6MM
92	P0555XH092	HEX BOLT M6-1 X 8
112	P0555XH112	HEX BOLT M8-1.25 X 80
113	P0555XH113	HEX NUT M8-1.25
115A	P0555XH115A	SLIDING BRACKET ASSY
115	P0555XH115	CAP SCREW M8-1.25 X 25
116	P0555XH116	LOCK WASHER 8MM
117	P0555XH117	FLAT WASHER 8MM
118	P0555XH118	LOWER BLADE GUIDE
124	P0555XH124	CORD CLAMP
125	P0555XH125	CAP SREW M5-.8 X 6
130	P0555XH130	SET SCREW M5-.8 X 10
131	P0555XH131	UPPER LOCK COLLAR



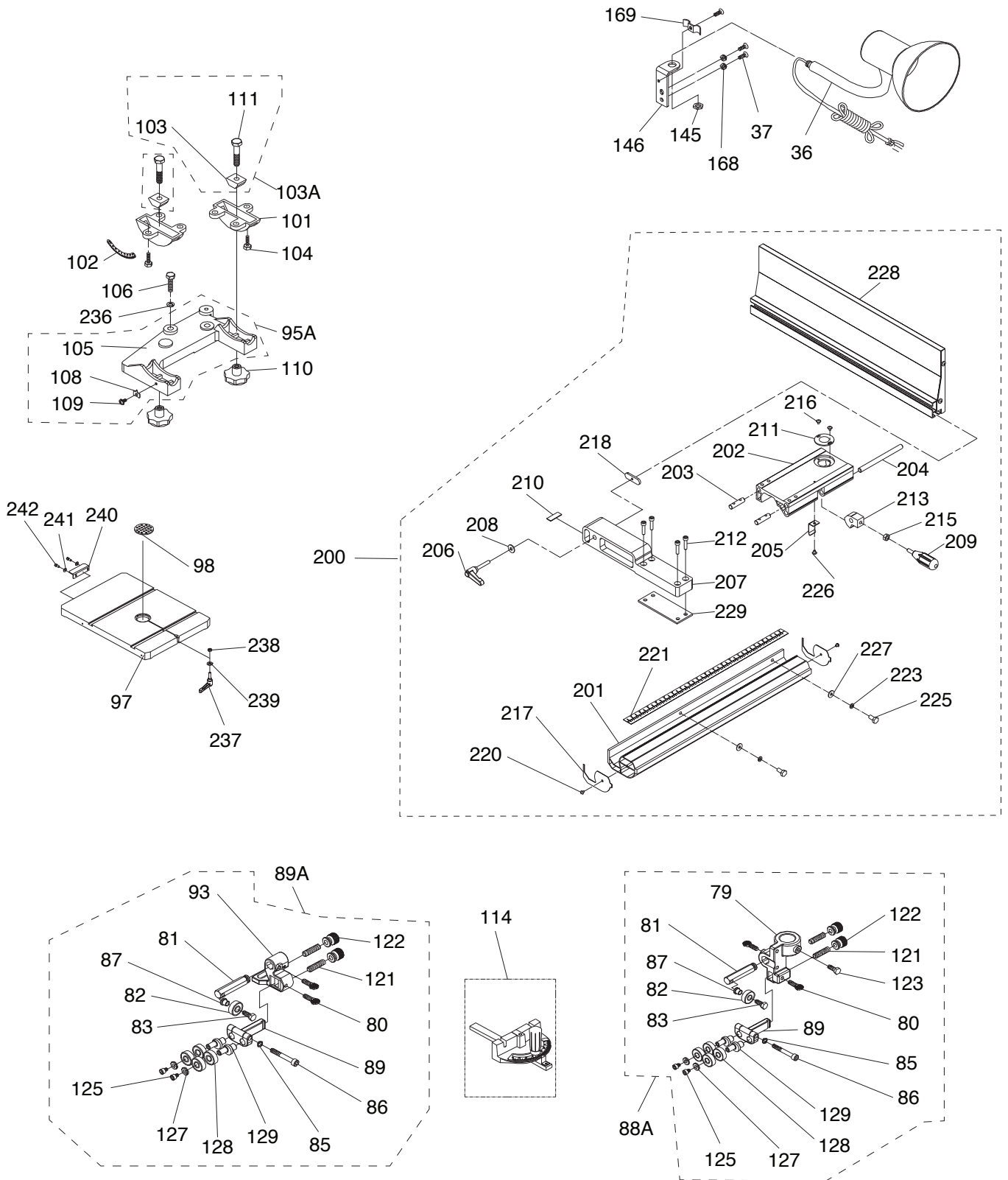
# Main Parts List Cont.

REF	PART #	DESCRIPTION
132	P0555XH132	FLAT WASHER 10MM
133	P0555XH133	TENSION LEVER
134	P0555XH134	FLAT WASHER 8MM
135	P0555XH135	BUSHING
136	P0555XH136	BUTTON HD CAP SCR M8-1.25 X 20
137	P0555XH137	SPACER
138	P0555XH138	HEX BOLT M8-1.25 X 40
139	P0555XH139	LOCK NUT M8-1.25
140	P0555XH140	SUPPORT PLATE
141	P0555XH141	PIVOT ARM
142	P0555XH142	LOCK WASHER 8MM
143	P0555XH143	BUTTON HD CAP SCR M8-1.25 X 20
144	P0555XH144	FLAT WASHER 8MM
150	P0555XH150	LOWER LOCK COLLAR
151	P0555XH151	SET SCREW M5-.8 X 5
152	P0555XH152	EXT TOOTH WASHER 5MM
154	P0555XH154	FLAT WASHER 8MM
160	P0555XH160	PULLEY
161	P0555XH161	BUTTON HD CAP SCR M6-1 X 25
162	P0555XH162	LOCK WASHER 6MM
166	P0555XH166	SET SCREW M5-.8 X 8
230	P0555XH230	HEX BOLT M6-1 X 12
231	P0555XH231	FLAT WASHER 6MM
232	P0555XH232	PLATE
233	P0555XH233	HEX NUT M10-1.5

REF	PART #	DESCRIPTION
234	P0555XH234	FLANGE SCREW M6-1 X 8
235	P0555XH235	KNOB 12-LOBE, D60
246	P0555XH246	SET SCREW M6-1 X 8
247	P0555XH247	BUTTON HD CAP SCR M8-1.25 X 25
248	P0555XH248	LOCK WASHER 8MM
249	P0555XH249	FLAT WASHER 8MM
250	P0555XH250	PAD
251	P0555XH251	HEX NUT M4-.7
252	P0555XH252	GEAR TRACK
253	P0555XH253	FLAT HD SCR M4-.7 X 8
254	P0555XH254	SCALE
255	P0555XH255	PHLP HD SCR M4-.7 X 10
256	P0555XH256	CARRIAGE BOLT M8-1.25 X 16
257	P0555XH257	LOCK NUT M8-1.25
258	P0555XH258	UPPER BLADE GUARD BRACKET
259	P0555XH259	UPPER SUPPORT BRACKET POST
260	P0555XH260	SET SCREW M6-1 X 6
261	P0555XH261	LOCK WASHER 6MM
262	P0555XH262	HEX BOLT M6-1 X 10
263	P0555XH263	FIXED GEAR
264	P0555XH264	BUSHING
265	P0555XH265	ADJUSTING GEAR
266	P0555XH266	METAL PLATE
267	P0555XH267	SPRING PIECE



# Blade Guides, Trunnions & Table



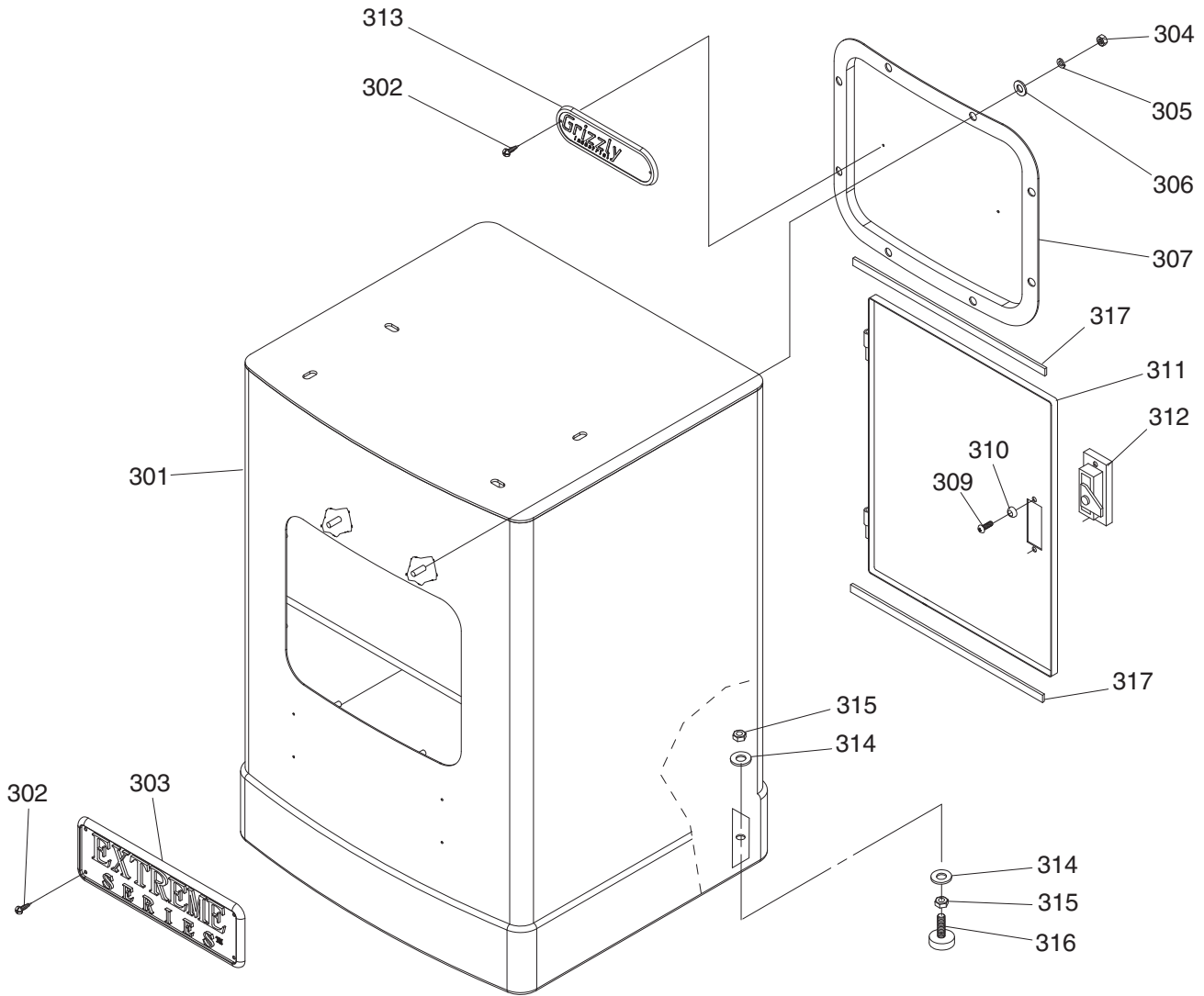
# Blade Guides, Trunnions & Table Parts List

REF	PART #	DESCRIPTION
36	P0555XH036	LAMP
37	P0555XH037	FLANGE SCREW M5-.8 X 8
79	P0555XH079	UPPER SUPPORT BRACKET POST
80	P0555XH080	THUMB SCREW M6-1 X 16
81	P0555XH081	SPACING POST
82	P0555XH082	BALL BEARING 608ZZ
83	P0555XH083	HEX BOLT M6-1 X 20
85	P0555XH085	LOCK WASHER 5MM
86	P0555XH086	HEX BOLT M5-.8 X 40
87	P0555XH087	BEARING SHEATH
88A	P0555XH088A	UPPER SUPPORT ASSY
89A	P0555XH089A	LOWER SUPPORT ASSY
89	P0555XH089	GUIDE BEARING SUPPORT BRACKET
93	P0555XH093	LOWER SUPPORT BRACKET POST
95A	P0555XH095A	TRUNNION SUPPORT BRACKET ASSY
97	P0555XH097	TABLE
98	P0555XH098	TABLE INSERT
101	P0555XH101	TRUNNION
102	P0555XH102	SCALE
103	P0555XH103	TRUNNION CLAMP SHOE
103A	P0555XH103A	TRUNNION CLAMP SHOE ASSY
104	P0555XH104	FLANGE BOLT M6-1 X 12
105	P0555XH105	TRUNNION SUPPORT BRACKET
106	P0555XH106	HEX BOLT M8-1.25 X 40
108	P0555XH108	POINTER
109	P0555XH109	PHLP HD SCR M5-.8 X 6
110	P0555XH110	KNOB M10-1.5, 6-LOBE, D63
111	P0555XH111	HEX BOLT M10-1.5 X 50
114	P0555XH114	MITER GAUGE BODY ASSY
121	P0555XH121	ADJUSTING SCREW M8-1 X 35
122	P0555XH122	ADJUSTING NUT M8-1
123	P0555XH123	HEX BOLT M6-1 X 20
125	P0555XH125	CAP SREW M5-.8 X 6
127	P0555XH127	FLAT WASHER 5MM
128	P0555XH128	BALL BEARING 608ZZ
129	P0555XH129	ECCENTRIC SHAFT
145	P0555XH145	HEX NUT M12-1.75 (THIN)

REF	PART #	DESCRIPTION
146	P0555XH146	LAMP HOLDER
168	P0555XH168	EXT TOOTH WASHER 5MM
169	P0555XH169	CORD CLAMP
200	P0555XH200	FENCE ASSY
201	P0555XH201	FRONT FENCE RAIL
202	P0555XH202	ADJUSTMENT BASE
203	P0555XH203	FIXED SHAFT
204	P0555XH204	SHAFT
205	P0555XH205	FLAT SPRING
206	P0555XH206	ADJUSTABLE HANDLE M8-1.25 X 50
207	P0555XH207	SUPPORT TUBE
208	P0555XH208	FLAT WASHER 8MM
209	P0555XH209	FIXED HANDLE 29 X 77, M8-1.25 X 22
210	P0555XH210	NYLON PAD
211	P0555XH211	MAGNIFYING GLASS
212	P0555XH212	CAP SCREW M6-1 X 25
213	P0555XH213	FIXED CAM
215	P0555XH215	HEX NUT M8-1.25
216	P0555XH216	FLANGE SCREW M4-.7 X 6
217	P0555XH217	GUARD PIECE
218	P0555XH218	MOVING PLATE
220	P0555XH220	TAP SCREW M3.5 X 12
221	P0555XH221	SCALE
223	P0555XH223	LOCK WASHER 6MM
225	P0555XH225	HEX BOLT M6-1 X 20
226	P0555XH226	FLANGE SCREW M4-.7 X 8
227	P0555XH227	FLAT WASHER 6MM
228	P0555XH228	FENCE
229	P0555XH229	MOUNTING PLATE
236	P0555XH236	LOCK WASHER 8MM
237	P0555XH237	QUICK RELEASE HANDLE
238	P0555XH238	HEX NUT M8-1.25
239	P0555XH239	FLAT WASHER 8MM
240	P0555XH240	EXTEND PLATE
241	P0555XH241	FLAT WASHER 6MM
242	P0555XH242	HEX BOLT M6-1 X 12



# Stand



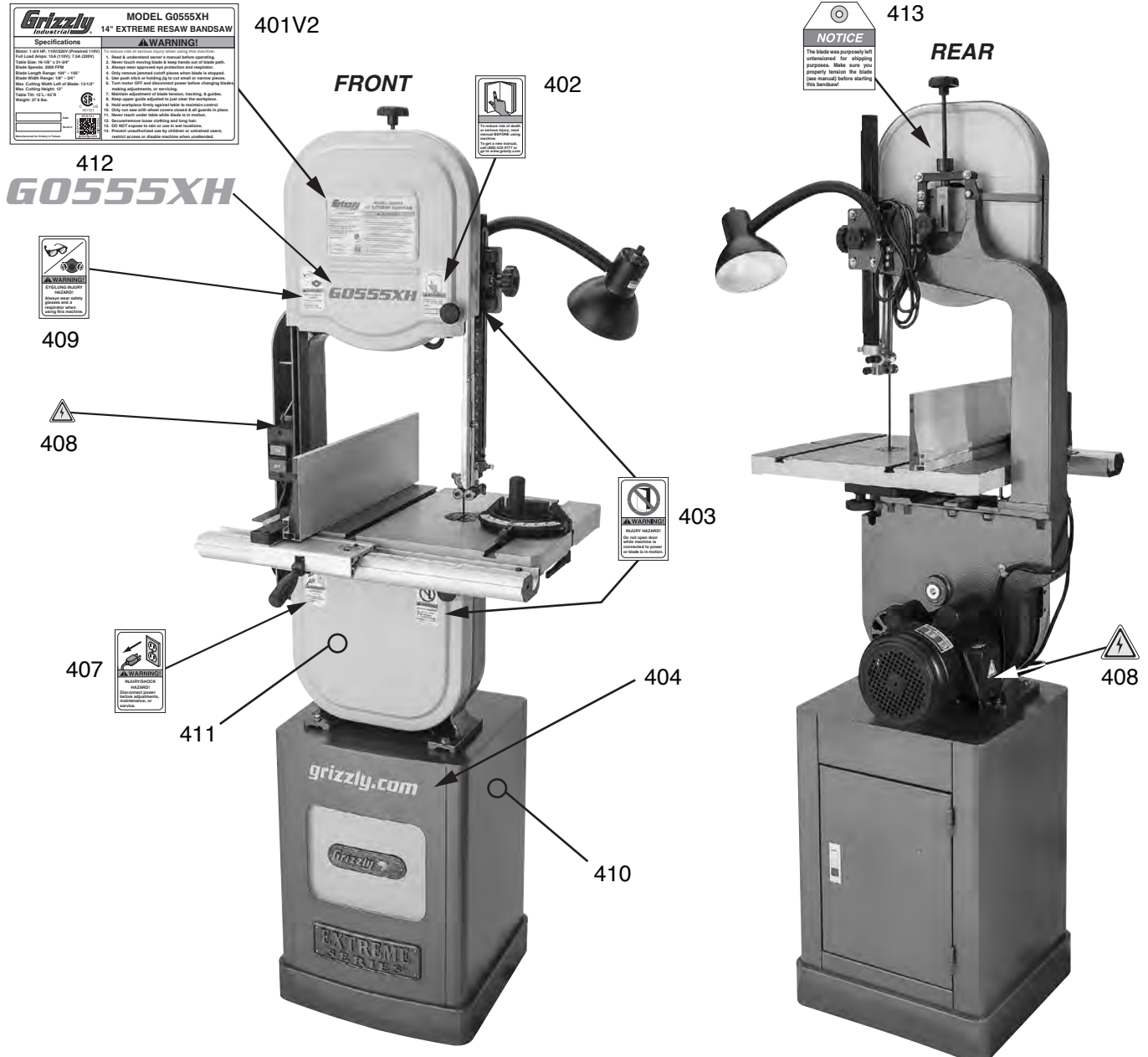
REF	PART #	DESCRIPTION
301	P0555XH301	STAND
302	P0555XH302	TAP SCREW M3.5 X 8
303	P0555XH303	EXTREME SERIES NAME PLATE
304	P0555XH304	HEX NUT M6-1
305	P0555XH305	LOCK WASHER 6MM
306	P0555XH306	FLAT WASHER 6MM
307	P0555XH307	FACEPLATE
309	P0555XH309	PHLP HD SCR M4-.7 X 6

REF	PART #	DESCRIPTION
310	P0555XH310	STANDOFF WASHER
311	P0555XH311	DOOR
312	P0555XH312	DOOR LATCH
313	P0555XH313	GRIZZLY NAME PLATE (OBLONG-SMALL)
314	P0555XH314	FLAT WASHER 10MM
315	P0555XH315	HEX NUT 3/8" X 16
316	P0555XH316	FOOT 3/8"-16 X 2", D36, (RUBBER)
317	P0555XH317	FOAM TAPE 1/4" X 12"





# Labels & Cosmetics



REF	PART #	DESCRIPTION
401V2	P0555XH401V2	MACHINE ID LABEL V2.03.19
402	P0555XH402	READ MANUAL LABEL
403	P0555XH403	DOOR INJURY HAZARD LABEL
404	P0555XH404	GRIZZLY.COM LABEL
407	P0555XH407	INJURY/SHOCK HAZARD LABEL
408	P0555XH408	ELECTRICITY LABEL

REF	PART #	DESCRIPTION
409	P0555XH409	EYE/LUNG INJURY HAZARD LABEL
410	P0555XH410	TOUCH-UP PAINT, GRIZZLY GREEN
411	P0555XH411	TOUCH-UP PAINT, GRIZZLY BEIGE
412	P0555XH412	MACHINE MODEL NUMBER
413	P0555XH413	BLADE TENSION HANGING NOTICE

**⚠️ WARNING**

Safety labels help reduce the risk of serious injury caused by machine hazards. If any label comes off or becomes unreadable, the owner of this machine **MUST** replace it in the original location before resuming operations. For replacements, contact (800) 523-4777 or [www.grizzly.com](http://www.grizzly.com).

