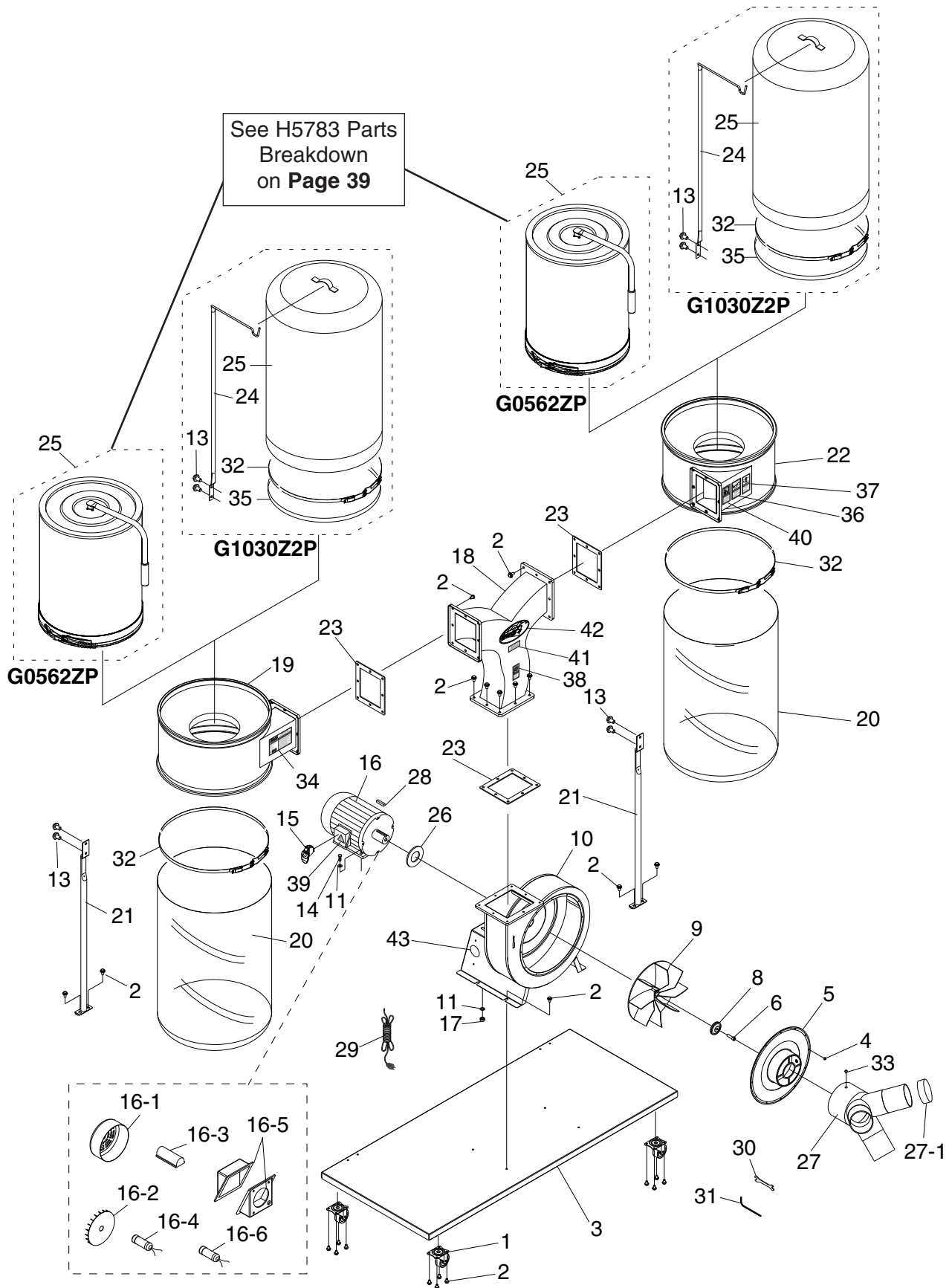


# G0562ZP/G1030Z2P Main Breakdown



# G0562ZP/G1030Z2P Main Parts List

REF PART #	DESCRIPTION	
1	P1028Z2001	CASTER
2	PFB01	FLANGE BOLT 5/16-18 X 1/2
3	P1030Z2003	BASE PLATE
4	PS06	PHLP HD SCREW 10-24 X 3/8"
5	P1030Z2P005	INLET COVER 7"
6	PCAP121M	CAP SCREW M6-1 X 20 LH
8	P1028Z2009	IMPELLER WASHER
9	P1029Z2010V2	IMPELLER 12-3/4" ALUMINUM
10	P1030Z2P010	COLLECTOR BODY
11	PW07	FLAT WASHER 5/16
13	PFB01	FLANGE BOLT 5/16-18 X 1/2
14	PB03	HEX BOLT 5/16-18 X 1
15	P1030Z2015V2	PADDLE SWITCH
16	P1030Z2016V2	MOTOR 3HP 220V 1PH
16-1	P1030Z2016V2-1	MOTOR FAN COVER
16-2	P1030Z2016V2-2	MOTOR FAN
16-3	P1030Z2016V2-3	CAPACITOR COVER
16-4	P1030Z2016V2-4	S CAPACITOR 500M 125V
16-5	P1030Z2016V2-5	JUNCTION BOX
16-6	P1030Z2016V2-6	R CAPACITOR 40M 300V
17	PN02	HEX NUT 5/16-18
18	P1030Z2P018	METAL Y OUTLET
19	P1030Z2P019	LEFT COLLECTOR
20	T20543	LOWER COLLECTOR BAG
21	P1028Z2023	COLLECTOR SUPPORT

REF PART #	DESCRIPTION	
22	P1030Z2P022	RIGHT COLLECTOR
23	P1028Z2028	RUBBER GASKET
24	P1028Z2026	UPPER BAG SUPPORT (G1030Z2P)
25	H5783	CANISTER FILTER (G0562ZP)
25	G5556	UPPER BAG 2.5 MICRON (G1030Z2P)
26	P1028Z2025	SPACER
27	P1030Z2P027	INLET 7" X 4" X 4" X 4"
27-1	P1028Z2029-1	INLET CAP 4"
28	PK28M	KEY 7 X 7 X 29
29	P1030Z2029V2	POWER CORD 14AWG X 3C 6' 6-20
30	PWR1012	WRENCH 10 X 12
31	PAW05M	HEX WRENCH 5MM
32	P1030Z2P032	BELT CLAMP
33	PS06	PHLP HD SCR 10-24 X 3/8
34	P0562ZP034	MACHINE ID LABEL CSA (G0562ZP)
34	P1030Z2P034	MACHINE ID LABEL CSA (G1030Z2P)
35	P1030Z2035	FOAM STRIP 4 X 20MM
36	PLABEL-11	SAFETY GLASSES LABEL
37	PLABEL-39	RESPIRATOR LABEL
38	PLABEL-59	HANDS/OUTLET LABEL
39	PLABEL-14	ELECTRICITY LABEL
40	PLABEL-12A	READ MANUAL LABEL
41	PLABEL-81	POLAR BEAR LOGO 1 X 3-3/4
42	G8588	GRIZZLY NAMEPLATE- SMALL
43	PPAINT-24	POLAR BEAR PAINT

## WARNING

Safety labels warn about machine hazards and ways to prevent injury. The owner of this machine **MUST** maintain the original location and readability of the labels on the machine. If any label is removed or becomes unreadable, **REPLACE** that label before using the machine again. Contact Grizzly at (800) 523-4777 or [www.grizzly.com](http://www.grizzly.com) to order new labels.

