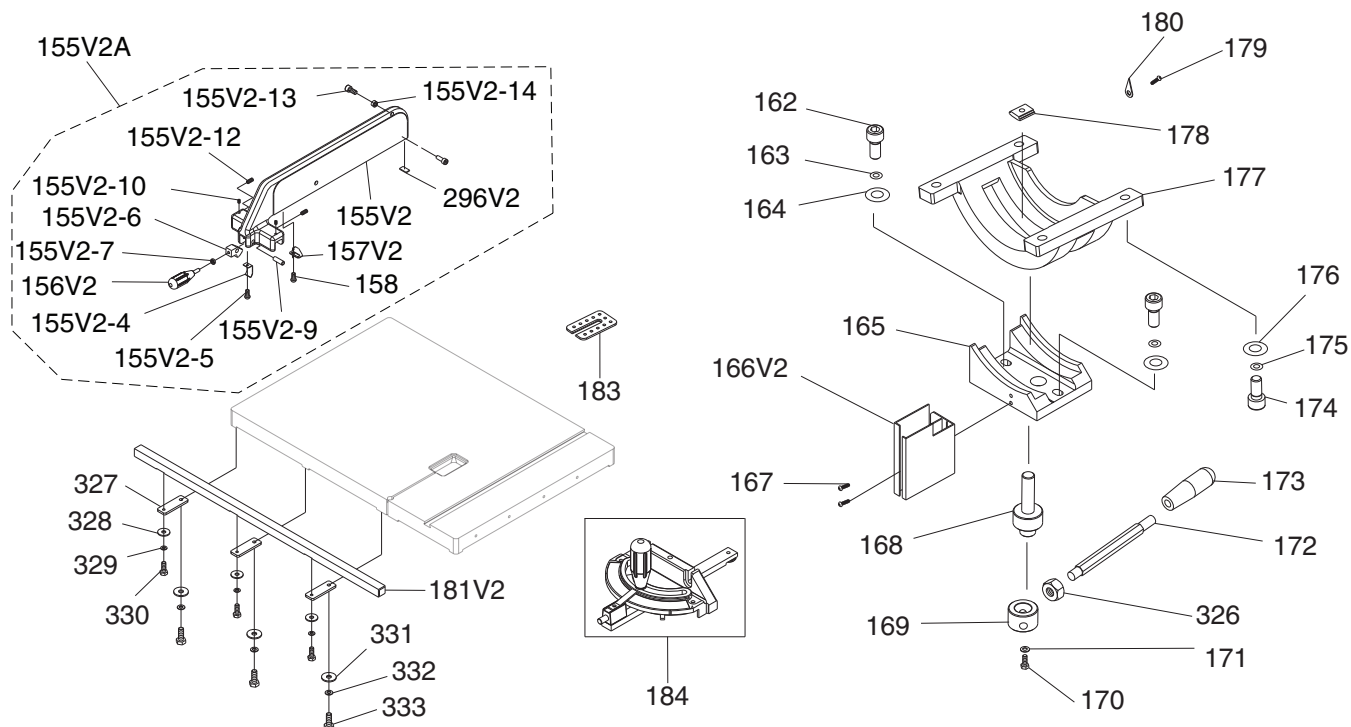


# Table



REF	PART #	DESCRIPTION
155V2	P0568155V2	FENCE V2.08.10
155V2-4	P0568155V2-4	SPRING PIECE
155V2-5	P0568155V2-5	FLANGE SCREW M4-.7 X 8
155V2-6	P0568155V2-6	PIVOT BLOCK V2.08.10
155V2-7	P0568155V2-7	HEX NUT M8-1.25
155V2-9	P0568155V2-9	SHAFT V2.08.10
155V2-10	P0568155V2-10	SET SCREW M7-1 X 10 (PLASTIC)
155V2-12	P0568155V2-12	SET SCREW M8-1.25 X 12
155V2-13	P0568155V2-13	HEX BOLT M8-1.25 X 20
155V2-14	P0568155V2-14	HEX NUT M8-1.25
155V2A	P0568155V2A	FENCE ASSEMBLY V2.08.10
156V2	P0568156V2	HANDLE V2.08.10
157V2	P0568157V2	POINTER V2.08.10
158	P0568158	FLANGE SCREW M5-.8 X 8
162	P0568162	CAP SCREW M10-1.5 X 30
163	P0568163	LOCK WASHER 10MM
164	P0568164	FLAT WASHER 10MM
165	P0568165	TRUNNION HOUSING
166V2	P0568166V2	BLADE GUARD V2.06.09
167	P0568167	FLANGE SCREW M6-1 X 10
168	P0568168	PRESS SHAFT
169	P0568169	MICRO ADJUSTING RING
170	P0568170	CAP SCREW M8-1.25 X 20

REF	PART #	DESCRIPTION
171	P0568171	LOCK WASHER 8MM
172	P0568172	HANDLE SHAFT
173	P0568173	HANDLE KNOB M12-1.75 FEMALE
174	P0568174	CAP SCREW M10-1.5 X 35
175	P0568175	LOCK WASHER 10MM
176	P0568176	FLAT WASHER 10MM
177	P0568177	TRUNNION BLOCK
178	P0568178	PRESS BLOCK
179	P0568179	PHLP HD SCR M4-.7 X 10
180	P0568180	POINTER
181V2	P0568181V2	GUARD RAIL V2.08.10
182	P0568182	TABLE
183	P0568183	TABLE INSERT
184	P0568184	MITER GAUGE ASSY
296V2	P0568296V2	NYLON PAD V2.08.10
326	P0568326	HEX NUT M12-1.75
327	P0568327	GUARD RAIL PLATE
328	P0568328	FLAT WASHER 6MM
329	P0568329	LOCK WASHER 6MM
330	P0568330	HEX BOLT M6-1 X 20
331	P0568331	FLAT WASHER 8MM
332	P0568332	LOCK WASHER 8MM
333	P0568333	HEX BOLT M8-1.25 X 20



# Guide Post

Upper Guide Adjustment

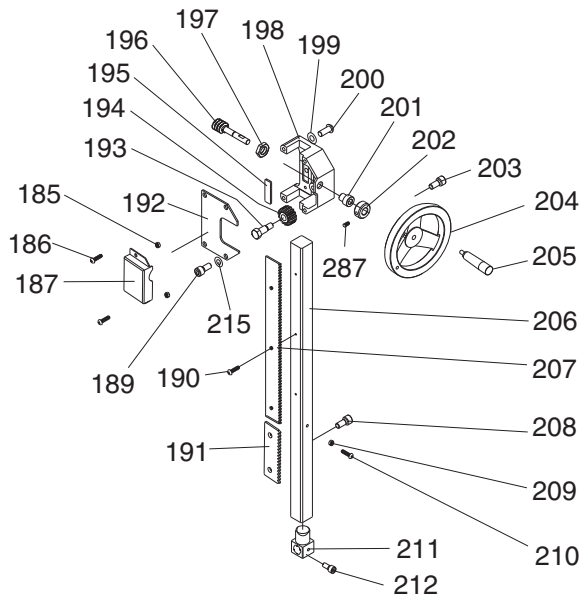
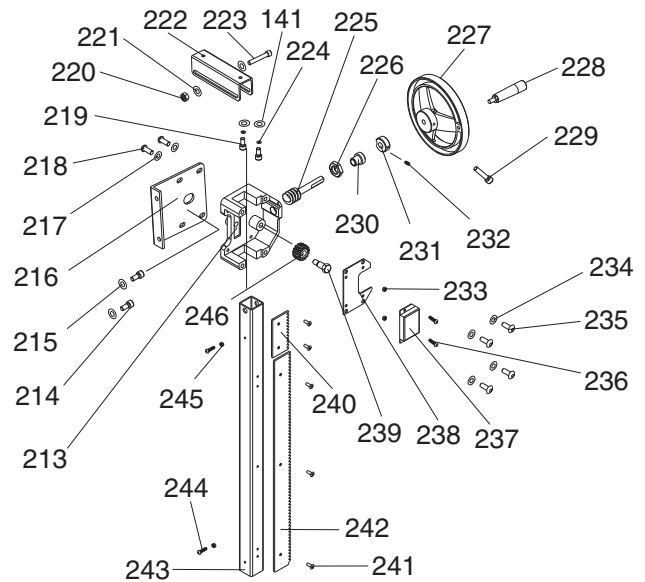


Table Tilt Adjustment

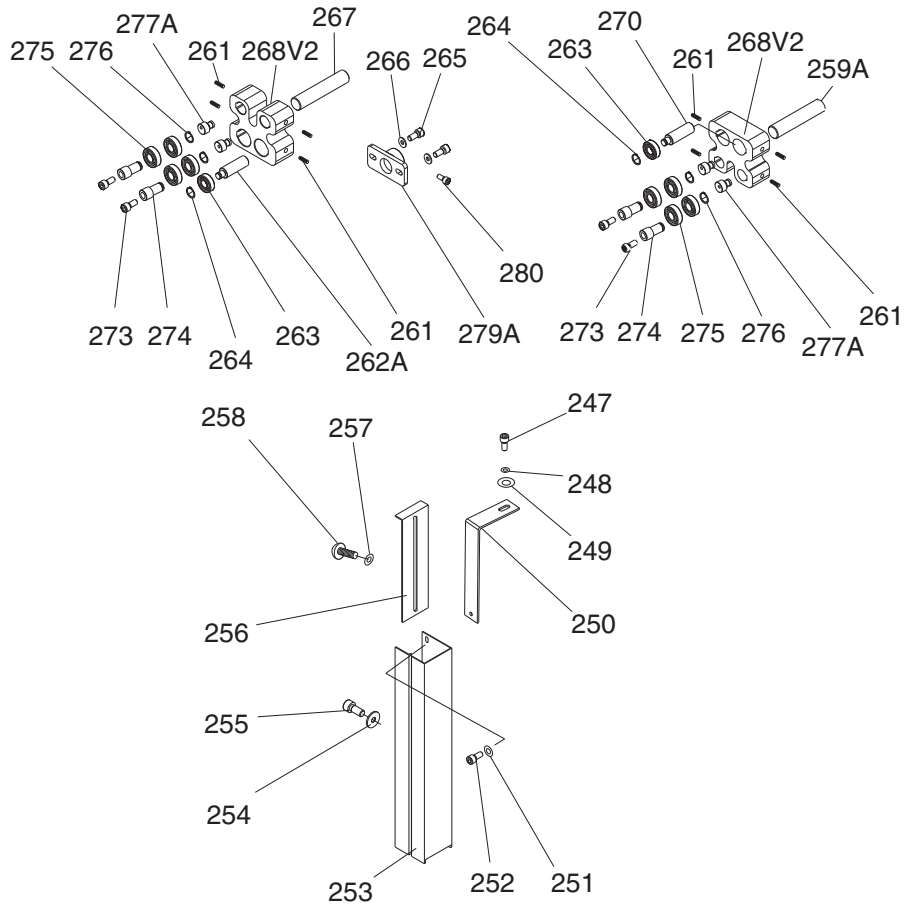


REF	PART #	DESCRIPTION
141	P0568141	FLAT WASHER 6MM
185	P0568185	LOCK WASHER 8MM
186	P0568186	FLANGE SCREW M5-.8 X 10
187	P0568187	COVER
189	P0568189	CAP SCREW M8-1.25 X 16
190	P0568190	FLAT HD SCR M4-.7 X 10
191	P0568191	EXTENSION RACK
192	P0568192	COVER
193	P0568193	FIXED BOLT
194	P0568194	PINION GEAR
195	P0568195	FIXED PLATE
196	P0568196	WORM SHAFT
197	P0568197	HEX NUT M16-1.5 THIN
198	P0568198	GUIDE BRACKET
199	P0568199	FLAT WASHER 8MM
200	P0568200	BUTTON HD CAP SCR M8-1.25 X 35
201	P0568201	BUSHING
202	P0568202	LOCK COLLAR
203	P0568203	CAP SCREW M6-1 X 25
204	P0568204	HANDWHEEL
205	P0568205	HANDLE
206	P0568206	UPPER GUIDE SUPPORT BLOCK
207	P0568207	RACK
208	P0568208	CAP SCREW M6-1 X 16
209	P0568209	HEX NUT M4-.7
210	P0568210	PHLP HD SCR M4-.7 X 10
211	P0568211	UPPER GUIDE SUPPORT BLOCK (ROUND)
212	P0568212	HEX BOLT M6-1 X 16
213	P0568213	GUIDE BRACKET
214	P0568214	CAP SCREW M8-1.25 X 20
215	P0568215	LOCK WASHER 8MM
216	P0568216	SUPPORT PLATE

REF	PART #	DESCRIPTION
217	P0568217	FLAT WASHER 8MM
218	P0568218	BUTTON HD CAP SCR M8-1.25 X 20
219	P0568219	HEX BOLT M6-1 X 10
220	P0568220	LOCK NUT M8-1.25
221	P0568221	LOCK WASHER 8MM
222	P0568222	SLIDING PLATE
223	P0568223	HEX BOLT M8-1.25 X 55
224	P0568224	LOCK WASHER 6MM
225	P0568225	WORM SHAFT
226	P0568226	HEX NUT M16-1.5 THIN
227	P0568227	HANDWHEEL
228	P0568228	PHLP HD SCR M4-.7 X 20
229	P0568229	CAP SCREW M6-1 X 25
230	P0568230	BUSHING
231	P0568231	LOCK COLLAR 22 X 10 X 10MM
232	P0568232	SET SCREW M5-.8 X 5
233	P0568233	HEX NUT M8-1.25
234	P0568234	LOCK WASHER 8MM
235	P0568235	CAP SCREW M8-1.25 X 16
236	P0568236	FLANGE SCREW M5-.8 X 10
237	P0568237	COVER
238	P0568238	COVER
239	P0568239	PINION GEAR BOLT
240	P0568240	STRETCH RACK
241	P0568241	FLAT HD SCR M4-.7 X 10
242	P0568242	RACK
243	P0568243	SQUARE TUBE
244	P0568244	PHLP HD SCR M4-.7 X 10
245	P0568245	HEX NUT M4-.7
246	P0568246	PINION GEAR 15T
287	P0568287	SET SCREW M5-.8 X 5



# Blade Guides

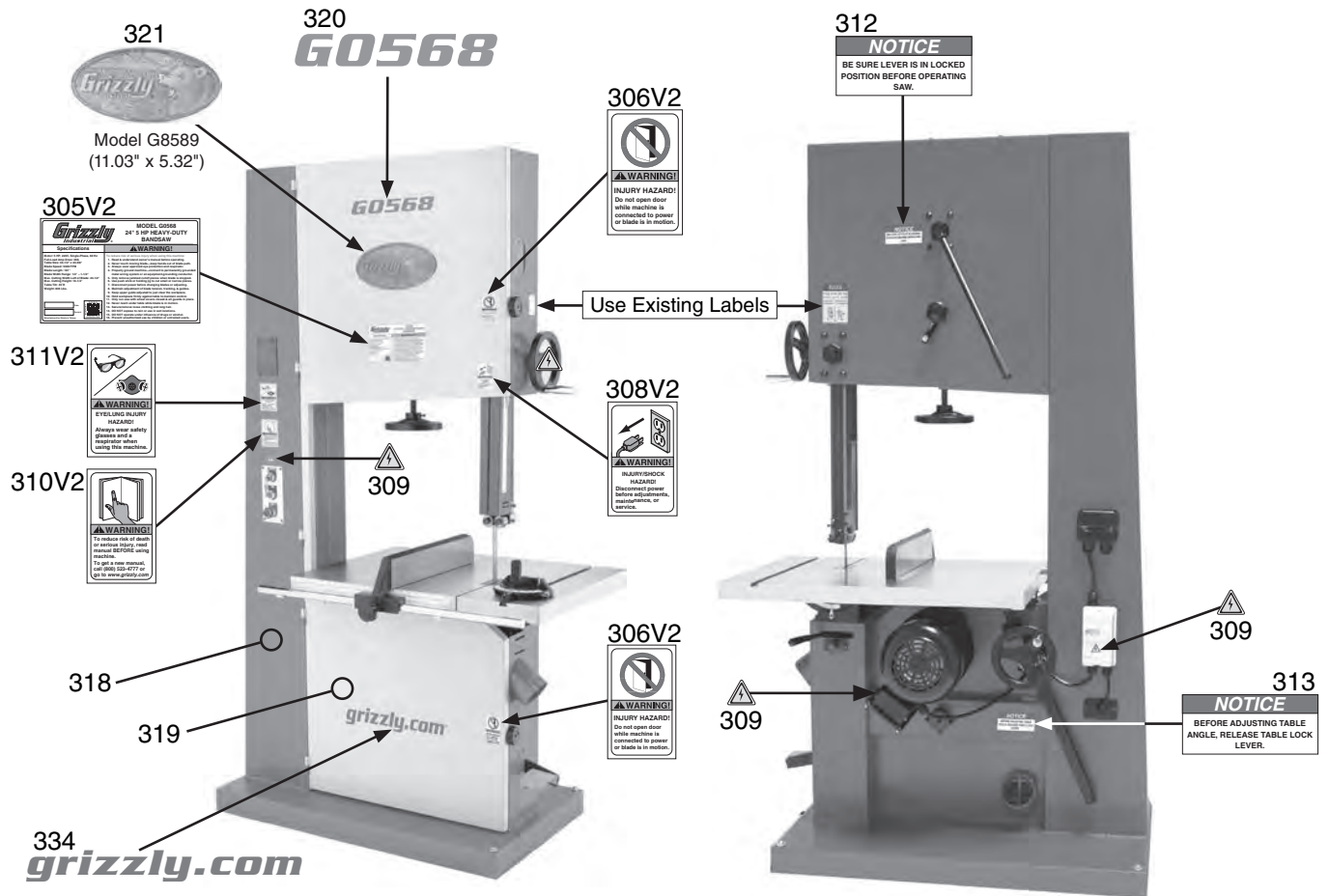


REF	PART #	DESCRIPTION
247	P0568247	CAP SCREW M6-1 X 10
248	P0568248	LOCK WASHER 6MM
249	P0568249	FLAT WASHER 6MM
250	P0568250	SUPPORT PLATE
251	P0568251	FLAT WASHER 6MM
252	P0568252	CAP SCREW M6-1 X 10
253	P0568253	PROTECT COVER
254	P0568254	FLAT WASHER 6MM
255	P0568255	CAP SCREW M6-1 X 10
256	P0568256	SLIDING PLATE
257	P0568257	FLAT WASHER 6MM (PLASTIC)
258	P0568258	PHLP HD SCR M6-1 X 10
259A	P0568259A	ADJUST BAR (ROUND) V2.10.05
261	P0568261	SET SCREW M6-1 X 10
262A	P0568262A	SPACER SLEEVE

REF	PART #	DESCRIPTION
263	P0568263	BALL BEARING 6201ZZ
264	P0568264	EXT RETAINING RING 12MM
265	P0568265	CAP SCREW M6-1 X 16
266	P0568266	FLAT WASHER 6MM
267	P0568267	ADJUSTING SHAFT
268V2	P0568268V2	BLADE GUIDE SUPPORT (ROUND) V2.12.05
270	P0568270	SPACER SLEEVE
273	P0568273	HEX BOLT M6-1 X 40
274	P0568274	HANDLE BUSHING
275	P0568275	BALL BEARING 6202ZZ
276	P0568276	EXT RETAINING RING 15MM
277A	P0568277A	ECCENTRIC SHAFT (ROUND) V2.12.05
279A	P0568279A	SUPPORT BRACKET V2.09.06
280	P0568280	HEX BOLT M6-1 X 16



# Labels & Cosmetics



REF	PART #	DESCRIPTION
305V2	P0568305V2	MACHINE ID LABEL (G0568) V2.01.14
305V2	P0569305V2	MACHINE ID LABEL (G0569) V2.01.14
306V2	P0568306V2	KEEP DOOR CLOSED LABEL V2.01.14
308V2	P0568308V2	DISCONNECT POWER LABEL V2.01.14
309	P0568309	ELECTRICITY LABEL
310V2	P0568310V2	READ MANUAL LABEL V2.01.14
311V2	P0568311V2	GLASSES/RESPIRATOR LABEL V2.01.14
312	P0568312	TENSION LEVER LABEL

REF	PART #	DESCRIPTION
313	P0568313	TABLE LOCK LABEL
318	P0568318	TOUCH-UP PAINT, GRIZZLY GREEN
319	P0568319	TOUCH-UP PAINT, GREY
320	P0568320	MODEL NUMBER LABEL (G0568)
320	P0569320	MODEL NUMBER LABEL (G0569)
321	P0568321	GRIZZLY NAMEPLATE-LARGE
334	P0568334	GRIZZLY.COM LABEL

## ⚠️ WARNING

Safety labels warn about machine hazards and ways to prevent injury. The owner of this machine **MUST** maintain the original location and readability of the labels on the machine. If any label is removed or becomes unreadable, **REPLACE** that label before using the machine again. Contact Grizzly at (800) 523-4777 or [www.grizzly.com](http://www.grizzly.com) to order new labels.

