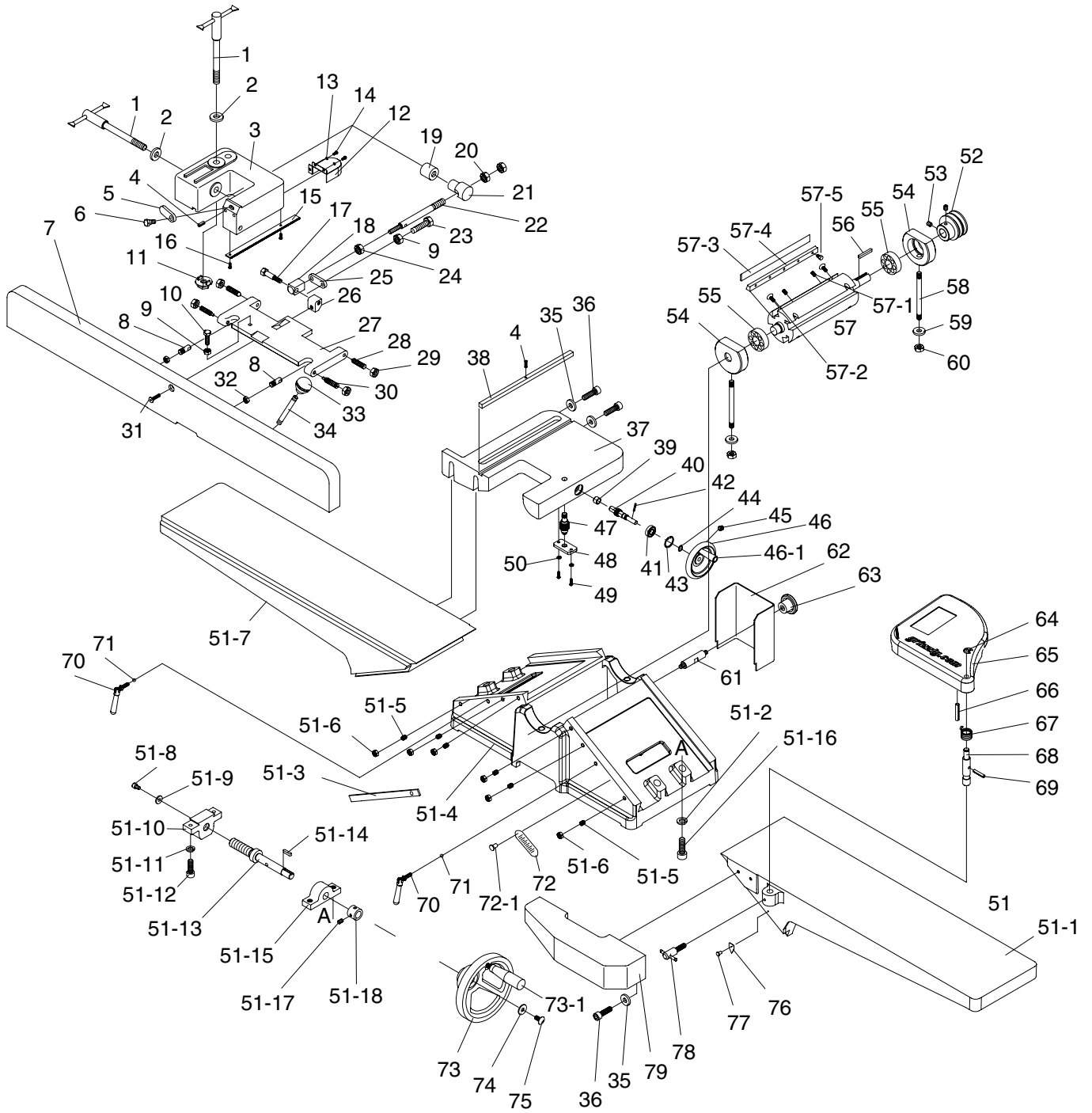


Jointer Parts Breakdown

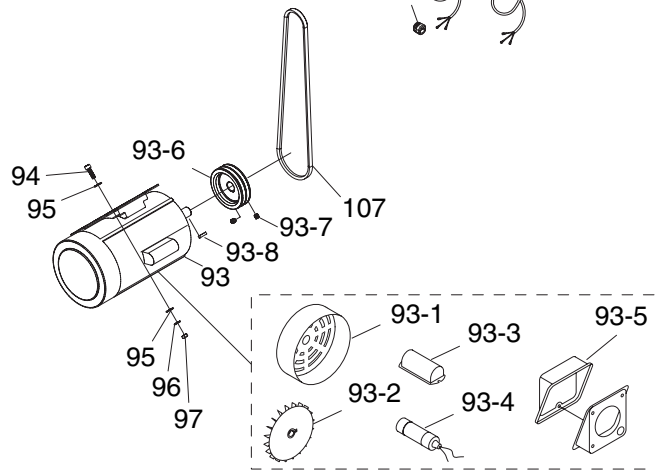
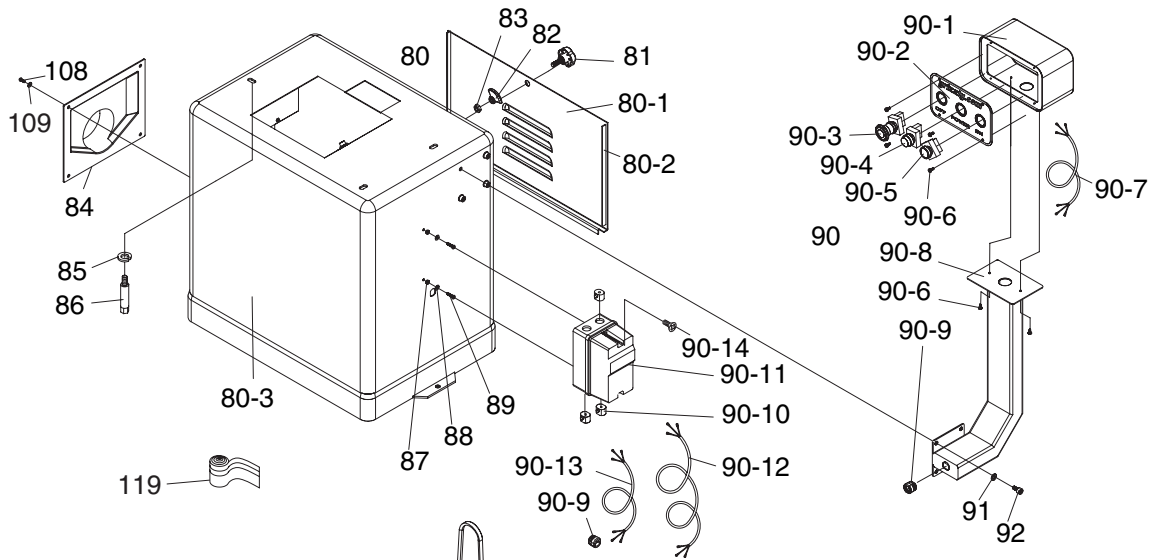
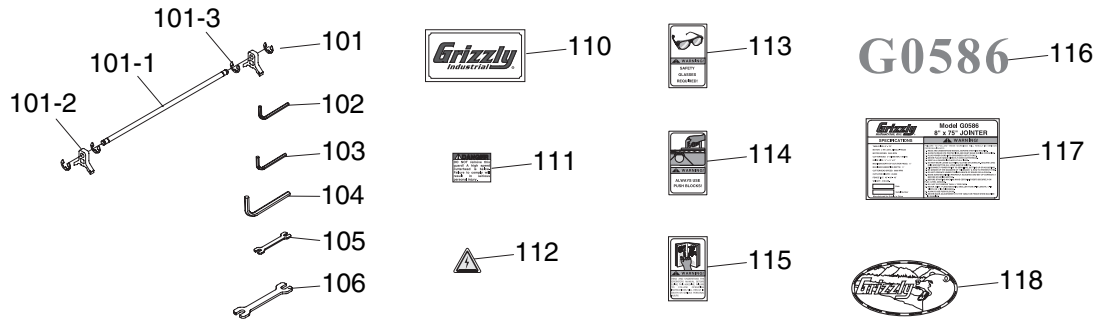


Jointer Parts List

REF	PART #	DESCRIPTION
1	P0586001	FENCE LOCK HANDLE
2	P0586002	FLAT WASHER 1/2
3	P0586003	FENCE BRACKET
4	P0586004	ROLL PIN 4 X 14
5	P0586005	STOP TAB
6	P0586006	SHOULDER BOLT 5/16-18 X 5/8
7	P0586007	FENCE
8	P0586008	SWIVEL SHAFT
9	PN02	HEX NUT 5/16-18
10	PB12	HEX BOLT 5/16-18 X 1-1/4
11	P0586011	FENCE LOCK NUT
12	P0586012	COVER
13	PW03	FLAT WASHER #10
14	PS06	PHLP HD SCR 10-24 X 3/8
15	P0586015	TOOTH GIB
16	PS01	PHLP HD SCR 10-24 X 1/2
17	P0586017	SHOULDER BOLT
18	P0586018	TAB BLOCK
19	P0586019	SPACING COLLAR
20	PN09	HEX NUT 5/8-18
21	P0586021	PIVOT NUT
22	P0586022	FENCE ADJUSTMENT STUD
23	PB22	HEX BOLT 5/16-18 X 1-3/4
24	PN19	HEX NUT 7/16-14
25	P0586025	STOP TAB
26	P0586026	FENCE BRACKET
27	P0586027	FENCE HINGE
28	P0586028	CONE SET SCREW 3/8-16 X 1-1/2
29	PN08	HEX NUT 3/8-16
30	P0586030	CONE SET SCREW 3/8-16 X 1-1/2
31	PB76	HEX BOLT 5/16-18 X 1-5/8
32	PN01	HEX NUT 1/2-20
33	P0586033	BALL KNOB 3/8-16
34	P0586034	HANDLE
35	PW02	FLAT WASHER 3/8
36	PSB26	CAP SCREW 3/8-16 X 1-1/2
37	P0586037	TABLE BRACKET
38	P0586038	FENCE KEY
39	P0586039	BUSHING
40	P0586040	WORM GEAR
41	P0586041	RADIAL BALL BEARING 6000
42	PRP42M	ROLL PIN 3 X 20
43	PR20M	INT RETAINING RING 28MM
44	PR03M	EXT RETAINING RING 12MM
45	PSS11	SET SCREW 1/4-20 X 1/4
46	P0586046	HANDWHEEL
46-1	P0586046-1	HANDLE
47	P0586047	WORM GEAR
48	P0586048	BRACKET
49	PS22	PHLP HD SCR 10-24 X 5/8
50	PLW03	LOCK WASHER #10
51	P0586051	TABLE ASSEMBLY
51-1	P0586051-1	INFEED TABLE

REF	PART #	DESCRIPTION
51-2	PLW07	LOCK WASHER 1/2
51-3	P0586051-3	GIB
51-4	P0586051-4	BASE
51-5	PSS01	SET SCREW 5/16-18 x 1
51-6	PN02	HEX NUT 5/16-18
51-7	P0586051-7	OUTFEED TABLE
51-8	PSB30	CAP SCREW 5/16-18 X 1/2
51-9	PW07	FLAT WASHER 5/16
51-10	P0586051-10	TABLE BRACKET
51-11	PLW04	LOCK WASHER 3/8
51-12	PSB19	CAP SCREW 3/8-16 X 1-1/4
51-13	P0586051-13	WORM GEAR
51-14	PK01M	KEY 5 X 5 X 22
51-15	P0586051-15	BRACKET
51-16	PSB44	CAP SCREW 1/2-12 X 1-3/4
51-17	PSS03	SET SCREW 1/4-20 X 3/8
51-18	P0586051-18	COLLAR
52	P0586052	CUTTERHEAD PULLEY
53	PSS02	SET SCREW 5/16-18 X 3/8
54	P0586054	BEARING HOUSING
55	P6204	RADIAL BALL BEARING 6204
56	PK01M	KEY 5 X 5 X 22
57	P0586057	CUTTERHEAD
57-1	P0586057-1	COMPRESSION SPRING
57-2	P0586057-2	JACK SCREW
57-3	P0586057-3	KNIVES-SET OF 4
57-4	P0586057-4	KNIFE GIB
57-5	P0586057-5	HEX HD GIB BOLT
58	P0586058	STUD
59	PW02	FLAT WASHER 3/8
60	PN08	HEX NUT 3/8-16
61	P0586061	SPECIAL DOUBLE END STUD
62	P0586062	BELT GUARD
63	P0586063	ROUND KNOB 5/16-18
64	PR48M	EXT RETAINING RING 11MM
65	P0586065	CUTTERHEAD GUARD
66	PRP31M	ROLL PIN 6 X 36
67	P0586067	TORSION SPRING
68	P0586068	PIVOT SHAFT
69	PRP27M	ROLL PIN 5 X 28
70	P0586070	SWIVELING LOCK HANDLE
71	P5960850	STEEL BALL 6MM
72	P0586072	DEPTH SCALE
72-1	P4000809	RIVET 2 X 5
73	P0586073	6" HANDWHEEL
73-1	P0586073-1	HANDLE
74	PW07	FLAT WASHER 5/16
75	PS38	PHLP HD SCR 5/16-18 X 1/2
76	P0586076	DEPTH POINTER
77	PS23	PHLP HD SCR 8-32 X 1/4
78	P0586078	GUARD LOCK HANDLE
79	P0586079	RABBET TABLE

Stand/Motor Parts Breakdown



Stand/Motor Parts List

REF	PART #	DESCRIPTION
80	P0586080	STAND ASSEMBLY
80-1	P0586080-1	COVER
80-2	P0586080-2	SEAL
80-3	P0586080-3	CABINET STAND
81	P0586081	STAR KNOB 3/8-16 x 7/8
82	P0586082	LATCH
83	PN08	HEX NUT 3/8-16
84	P0586084	DUST PORT
85	PLW04	LOCK WASHER 3/8
86	P0586086	SPEICAL MOUNTING BOLT
87	PN06M	HEX NUT M5-.8
88	PW02M	FLAT WASHER 5MM
89	PS06M	PHLP HD SCR M5-.8 X 20
90	P0586090	PEDESTAL SWITCH ASSEMBLY
90-1	P0586090-1	SWITCH BOX
90-2	P0586090-2	SWITCH PANEL
90-3	P0586090-3	STOP SWITCH XB4-BS542(TE)
90-4	P0586090-4	POWER LIGHT XB4-BG21(TE)
90-5	P0586090-5	START SWITCH XB4-BA31(TE)
90-6	PS09M	PHLP HD SCR M5-.8 X 10
90-7	P0586090-7	CONTROL CORD 18AWG X 5C
90-8	P0586090-8	PEDESTAL ARM
90-9	P0586090-9	RELIEF SB8R-3
90-10	P0586090-10	STRAIN RELIEF 1/2
90-11	P0586090-11	MAGNETIC SWITCH
90-12	PWRCRD220L	POWER CORD
90-13	PWRCRD220S	MOTOR CORD
90-14	P0586090-14	PLASTIC SWITCH CVR SCREW
91	PW01M	FLAT WASHER 8MM
92	PB09M	HEX BOLT M8-1.25 X 20
93	P0586093	MOTOR
93-1	P0586093-1	FAN COVER
93-2	P0586093-2	FAN

REF	PART #	DESCRIPTION
93-3	P0586093-3	CAPACITOR COVER
93-4	PC400S	S. CAPACITOR 400M 125V
93-5	P0586093-5	JUNCTION BOX
93-6	P0586093-6	MOTOR PULLEY
93-7	PSS15	SET SCREW 3/8-16 X 3/8
93-8	PK12M	KEY 5 X 5 X 30
94	PSB03	CAP SCREW 5/16-18 X 1
95	PW07	FLAT WASHER 5/16
96	PLW01	LOCK WASHER 5/16
97	PN02	HEX NUT 5/16-18
101	P0586101	KNIFE SETTING JIG ASSEMBLY
101-1	P0586101-1	KNIFE SETTING JIG ROD
101-2	P0586101-2	KNIFE SETTING JIG FOOT
101-3	PEC10M	E-CLIP 9MM
102	PAW03M	HEX WRENCH 3MM
103	PAW04M	HEX WRENCH 4MM
104	PAW05M	HEX WRENCH 5MM
105	PWR810	WRENCH 8 X 10
106	PWR1214	WRENCH 12 X 14
107	PVM40	V-BELT M40 3L400
108	PS07	PHLP HD SCR 1/4-20 x 3/8
109	PW06	FLAT WASHER 1/4
110	P0586110	GRIZZLY LOGO-FLAT METALLIC
111	P0586111	CUTTERHEAD GUARD WARNING
112	PLABEL-14	ELECTRICITY TRIANGLE
113	PLABEL-11	SAFETY GLASSES WARNING
114	P0586114	PUSH BLOCKS WARNING
115	PLABEL-12	READ MANUAL WARNING
116	P0586116	G0586 MODEL NUMBER LABEL
117	P0586117	G0586 MACHINE ID LABEL
118	G8588	CAST GRIZZLY LOGO PLATE
119	P0586119	GREEN TAPE 48 X 2000MM