

SECTION 9: PARTS

We do our best to stock replacement parts when possible, but we cannot guarantee that all parts shown are available for purchase. Call **(800) 523-4777** or visit **www.grizzly.com/parts** to check for availability.

Table

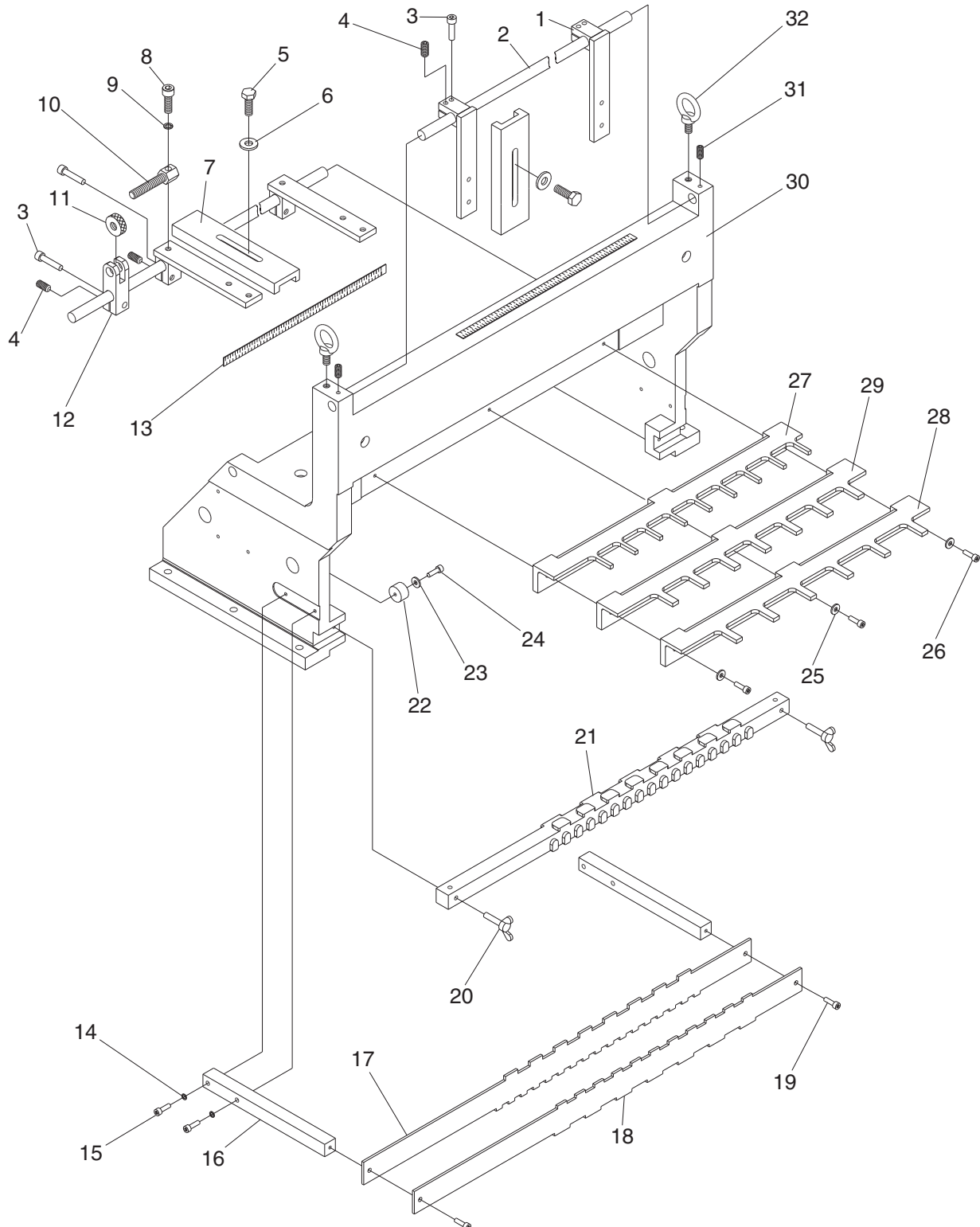


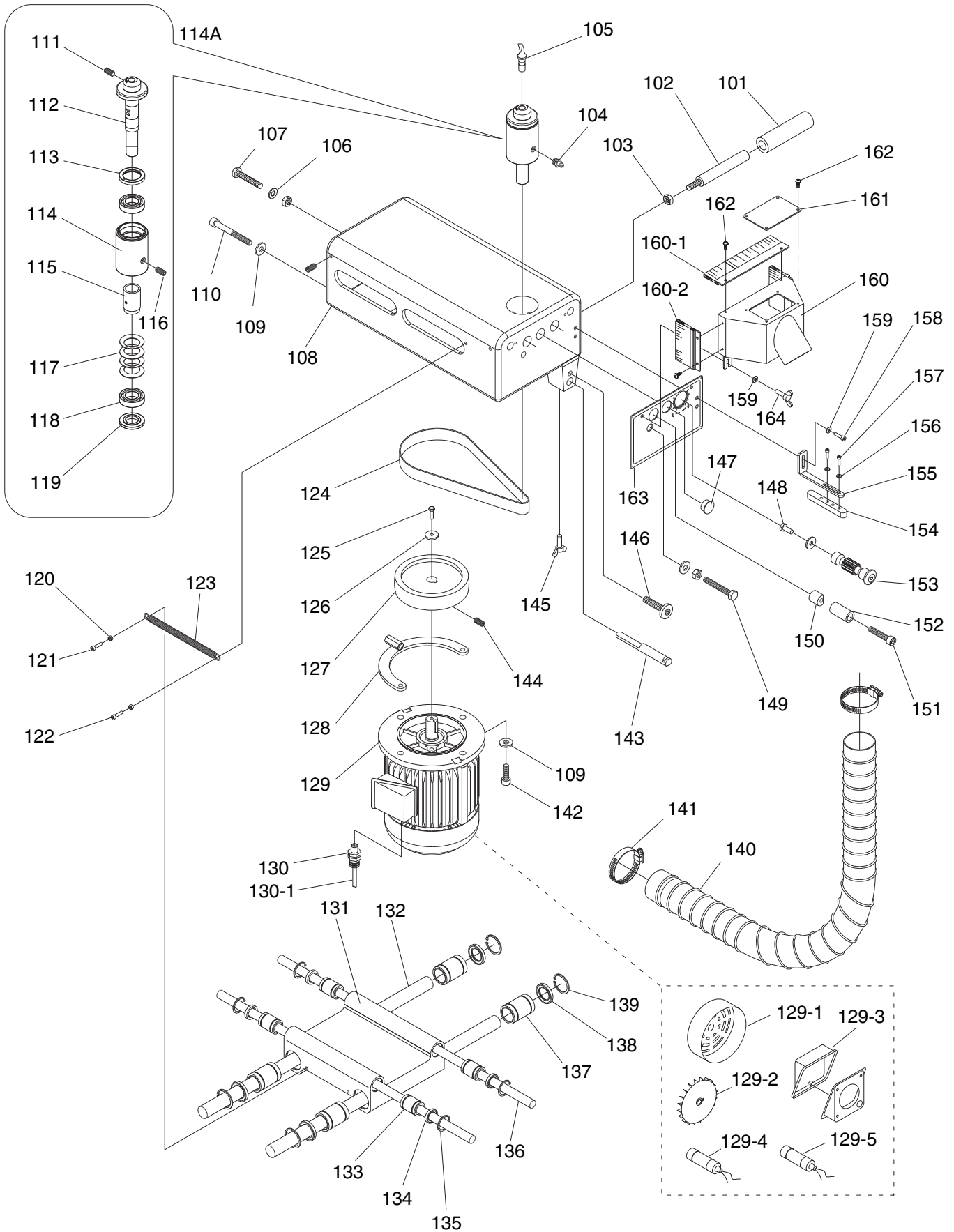
Table Parts List

REF	PART #	DESCRIPTION
1	P0611X001	FENCE
2	P0611X002	SLIDING ROD
3	PSB31M	CAP SCREW M8-1.25 X 25
4	PSS04M	SET SCREW M6-1 X 12
5	PB09M	HEX BOLT M8-1.25 X 20
6	PW01M	FLAT WASHER 8MM
7	P0611X007	BUFFER PAD
8	PSB13M	CAP SCREW M8-1.25 X 30
9	PLW04M	LOCK WASHER 8MM
10	P0611X010	ADJUSTMENT SCREW
11	P0611X011	ADJUSTMENT NUT
12	P0611X012	MICRO-ADJUSTMENT SEAT
13	P0611X013	TABLE SCALE
14	PLW03M	LOCK WASHER 6MM
15	PSB48M	CAP SCREW M6-1 X 35
16	P0611X016	INDICATOR MOUNTING BAR

REF	PART #	DESCRIPTION
17	P0611X017	INDICATOR TEMPLATE 1" & 2"
18	P0611X018	INDICATOR TEMPLATE 1-1/2" & 2-1/2"
19	PSB04M	CAP SCREW M6-1 X 10
20	P0611X020	WING SCREW M6-1 X 35
21	P0611X021	TEMPLATE BAR
22	P0611X022	BUFFER PAD
23	PW03M	FLAT WASHER 6MM
24	PSB02M	CAP SCREW M6-1 X 20
25	PW03M	FLAT WASHER 6MM
26	PSB07M	CAP SCREW M6-1 X 30
27	P0611X027	FIXED CHASER 1" & 2"
28	P0611X028	FIXED CHASER 3"
29	P0611X029	FIXED CHASER 2-1/2"
30	P0611X030	WORKTABLE
31	PSS02M	SET SCREW M6-1 X 6
32	P0611X032	EYE BOLT M10-1.5 X 15



Headstock



Headstock Parts List

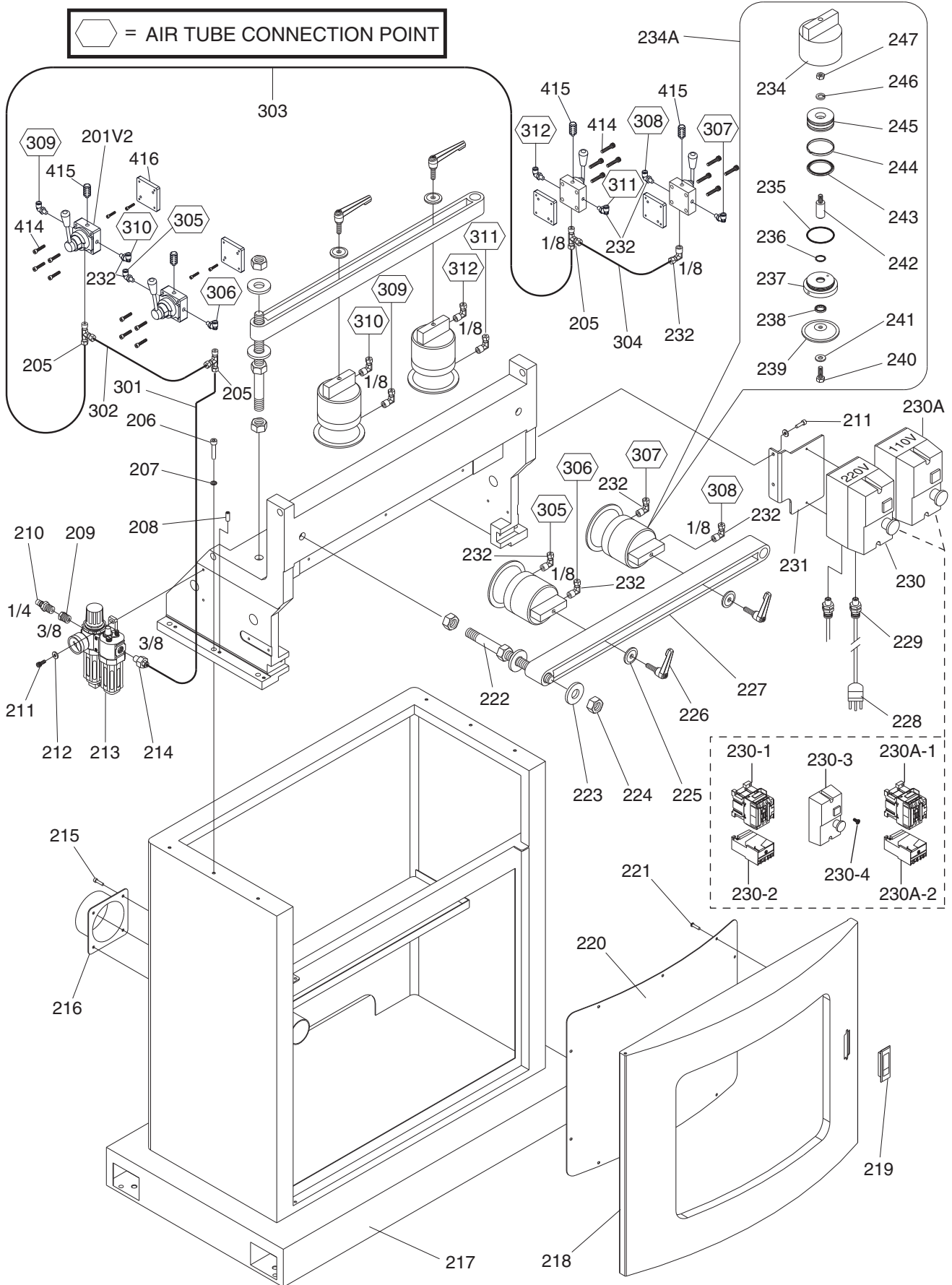
REF	PART #	DESCRIPTION
101	P0611X101	SPONGE COATING
102	P0611X102	HANDLE
103	PN02M	HEX NUT M10-1.5
104	PZERK2	GREASE FITTING M6-1 x 5
105	P0611X105	CUTTER
106	PW04M	FLAT WASHER 10MM
107	P0611X107	SPECIAL ADJUSTMENT BOLT
108	P0611X108	SPINDLE SLIDE SEAT
109	PW01M	FLAT WASHER 8MM
110	PSB157M	CAP SCREW M8-1.25 X 100
111	PSS16M	SET SCREW M8-1.25 X 10
112	P0611X112	ECCENTRIC SPINDLE
113	P0611X113	LOCK NUT
114	P0611X114	SPINDLE BEARING HOUSING
114A	P0611X114A	COMPLETE SPINDLE ASSY
115	P0611X115	SPACER
116	PSS07M	SET SCREW M5-.8 X 5
117	P0611X117	COMPRESSION SPRING AK-6005
118	P6005	BALL BEARING 6005
119	P0611X119	FIXING NUT
120	PN06M	HEX NUT M5-.8
121	PSB79M	CAP SCREW M5-.8 X 35
122	PSB15M	CAP SCREW M5-.8 X 20
123	P0611X123	EXTENSION SPRING
124	P0611X124	FLAT BELT 670 X 25
125	PB08M	HEX BOLT M6-1 X 20
126	PW03M	FLAT WASHER 6MM
127	P0611X127	MOTOR PULLEY
128	P0611X128	MOTOR BRACKET
129	P0611X129	MOTOR 1HP, 110V/220V
129-1	P0611X129-1	MOTOR FAN COVER
129-2	P0611X129-2	MOTOR FAN
129-3	P0611X129-3	MOTOR JUNCTION BOX
129-4	P0611X129-4	S CAPACITOR 300MFD 250VAC
129-5	P0611X129-5	R CAPACITOR 30MFD 250VAC
130	P0611X130	STRAIN RELIEF 11-10B
130-1	P0611X130-1	MOTOR CORD

REF	PART #	DESCRIPTION
131	P0611X131	CARRIAGE
132	P0611X132	GUIDE ROD M25 X 750L
133	P0611X133	LINEAR BUSHING 16UU
134	P0611X134	SEAL 16 X 28 X 7 X 3
135	PR20M	INT RETAINING RING 28MM
136	P0611X136	GUIDE ROD M16 X 459L
137	P0611X137	LINEAR BUSHING 25UU
138	P0611X138	SEAL 25 X 40 X 7 X 2
139	PR23M	INT RETAINING RING 40MM
140	P0611X140	FLEXIBLE HOSE 2.5" X 63"
141	P0611X141	HOSE CLAMP 2-3/4"
142	PSB40M	CAP SCREW M8-1.25 X 35
143	P0611X143	TRACER PIN
144	PSS53M	SET SCREW M5-.8 X 12
145	P0611X145	WING SCREW M6-1 X 20
146	P0611X146	ADJUSTMENT SCREW
147	P0611X147	PLASTIC PLUG 22MM
148	PB03M	HEX BOLT M8-1.25 X 16
149	P0611X149	SPECIAL ADJUSTMENT BOLT
150	P0611X150	CLAMP BUSHING
151	PSB66M	CAP SCREW M8-1.25 X 65
152	P0611X152	BUSHING
153	P0611X153	GEAR SHAFT
154	P0611X154	INDICATOR BAR
155	P0611X155	INDICATOR BRACKET
156	PW05M	FLAT WASHER 4MM
157	PSB17M	CAP SCREW M4-.7 X 10
158	PSB33M	CAP SCREW M5-.8 X 12
159	PW02M	FLAT WASHER 5MM
160	P0611X160	GUARD
160-1	P0611X160-1	TOP GUARD BRUSH
160-2	P0611X160-2	SIDE GUARD BRUSH
161	P0611X161	WINDOW
162	PS17M	PHLP HD SCR M4-.7 X 6
163	P0611X163	CONTROL PANEL LABEL
164	P0611X164	WING SCREW M5-.8 X 15



Body & Pneumatic

 = AIR TUBE CONNECTION POINT



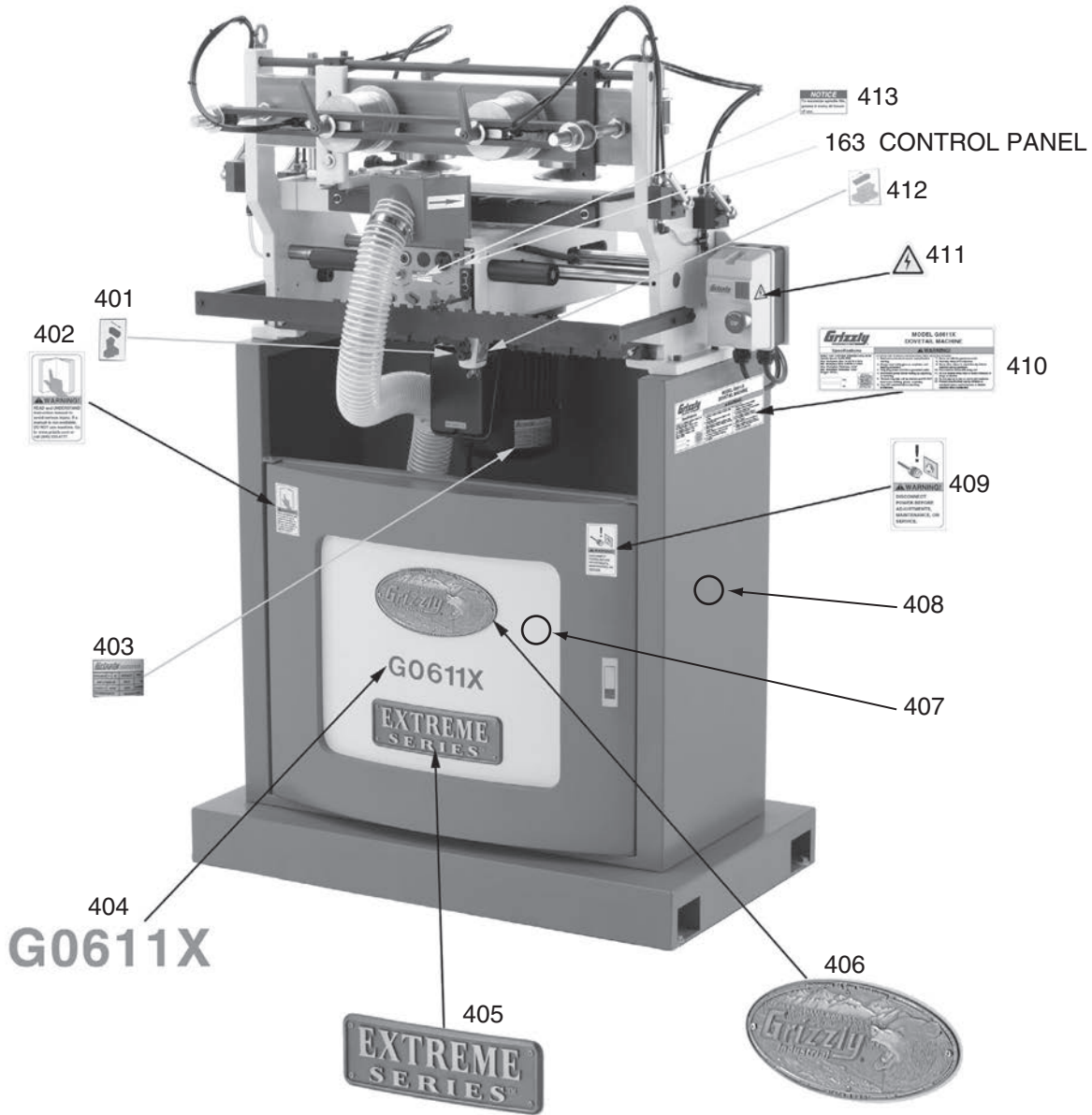
Body & Pneumatic Parts List

REF	PART #	DESCRIPTION
201V2	P0611X201V2	CONTROL VALVE V2.07.15
205	P0611X205	T-CONNECTOR PT-1/8" X 6MM X 6MM
206	P0611X206	CAP SCREW M8-1.25 X 35
207	P0611X207	LOCK WASHER 8MM
208	P0611X208	SET SCREW M8-1.25 X 10
209	P0611X209	ADAPTER 3/8" X 1/4"
210	P0611X210	MALE COUPLING PT-1/4"
211	P0611X211	CAP SCREW M6-1 X 16
212	P0611X212	FLAT WASHER 6MM
213	P0611X213	AIR SUPPLY UNIT MACP 300-10A
214	P0611X214	MALE CONNECTOR PT-3/8" X 6MM
215	P0611X215	CAP SCREW M5-.8 X 10
216	P0611X216	DUST PORT 4"
217	P0611X217	CABINET
218	P0611X218	DOOR
219	P0611X219	DOOR LATCH
220	P0611X220	DOOR INSET
221	P0611X221	PHLP HD SCR M5-.8 X 6
222	P0611X222	STUD
223	P0611X223	FLAT WASHER 20MM
224	P0611X224	HEX NUT M20-2.5
225	P0611X225	SPECIAL WASHER
226	P0611X226	LOCKING HANDLE M10-1.5 X 35
227	P0611X227	HOLDER BRACKET
228	P0611X228	POWER CORD
229	P0611X229	STRAIN RELIEF MGB20G-12B
230	P0611X230	MAGNETIC SWITCH ASSY 220V
230A	P0611X230A	MAGNETIC SWITCH ASSY 110V
230-1	P0611X230-1	CONTACTOR 220V
230-2	P0611X230-2	OVERLOAD RELAY FOR 220V
230-3	P0611X230-3	MAG SWITCH COVER
230-4	P0611X230-4	PLASTIC SCREW
230A-1	P0611X230A-1	CONTACTOR 110V
230A-2	P0611X230A-2	OVERLOAD RELAY FOR 110V

REF	PART #	DESCRIPTION
231	P0611X231	SWITCH BRACKET
232	P0611X232	MALE ELBOW PT1/8" X 6MM
233	P0611X233	CAP SCREW M5-.8 X 50
234	P0611X234	CYLINDER BODY
235	P0611X235	O-RING G80
236	P0611X236	O-RING P25
237	P0611X237	CYLINDER END COVER
238	P0611X238	LOCKING PIECE
239	P0611X239	CLAMPING DISC
240	P0611X240	HEX BOLT M8-1.25 X 16
241	P0611X241	FLAT WASHER 8MM
242	P0611X242	PISTON ROD
243	P0611X243	PISTON BACKING 80 X 65 X 5.5
244	P0611X244	WEARING 80 X 75 X 6
245	P0611X245	PISTON
246	P0611X246	LOCK WASHER 12MM
247	P0611X247	HEX NUT M12-1.75
234A	P0611X234A	CLAMPING CYLINDER ASSY
301	P0611X301	PU TUBE 4 X 6 X 240MM
302	P0611X302	PU TUBE 4 X 6 X 140MM
303	P0611X303	PU TUBE 4 X 6 X 1360MM
304	P0611X304	PU TUBE 4 X 6 X 140MM
305	P0611X305	PU TUBE 4 X 6 X 790MM
306	P0611X306	PU TUBE 4 X 6 X 730MM
307	P0611X307	PU TUBE 4 X 6 X 790MM
308	P0611X308	PU TUBE 4 X 6 X 730MM
309	P0611X309	PU TUBE 4 X 6 X 790MM
310	P0611X310	PU TUBE 4 X 6 X 730MM
311	P0611X311	PU TUBE 4 X 6 X 790MM
312	P0611X312	PU TUBE 4 X 6 X 730MM
414	P0611X414	CAP SCREW M5-.8 X 30
415	P0611X415	AIR DIFFUSER 1/8" NPT
416	P0611X416	MOUNTING PLATE



Labels



REF	PART #	DESCRIPTION
163	P0611X163	CONTROL PANEL LABEL
401	P0611X401	TAIL SHORTER LABEL
402	PLABEL-12A	READ MANUAL LABEL
403	P0611X403	MOTOR LABEL
404	P0611X404	G0611X MODEL # LABEL
405	P0611X405	EXTREME SERIES PLATE
406	G8589	GRIZZLY LOGO PLATE

REF	PART #	DESCRIPTION
407	PPAINT-14	"PUTTY" TOUCH-UP PAINT
408	PPAINT-1	"GRIZZLY GREEN" TOUCH-UP PAINT
409	PLABEL-36	DISCONNECT POWER LABEL
410	P0611X410	MACHINE ID LABEL
411	PLABEL-14	ELECTRICITY LABEL
412	P0611X412	TAIL LONGER LABEL
413	P0611X413	GREASE SPINDLE LABEL

WARNING

Safety labels warn about machine hazards and ways to prevent injury. The owner of this machine **MUST** maintain the original location and readability of the labels on the machine. If any label is removed or becomes unreadable, **REPLACE** that label before using the machine again. Contact Grizzly at (800) 523-4777 or www.grizzly.com to order new labels.

