

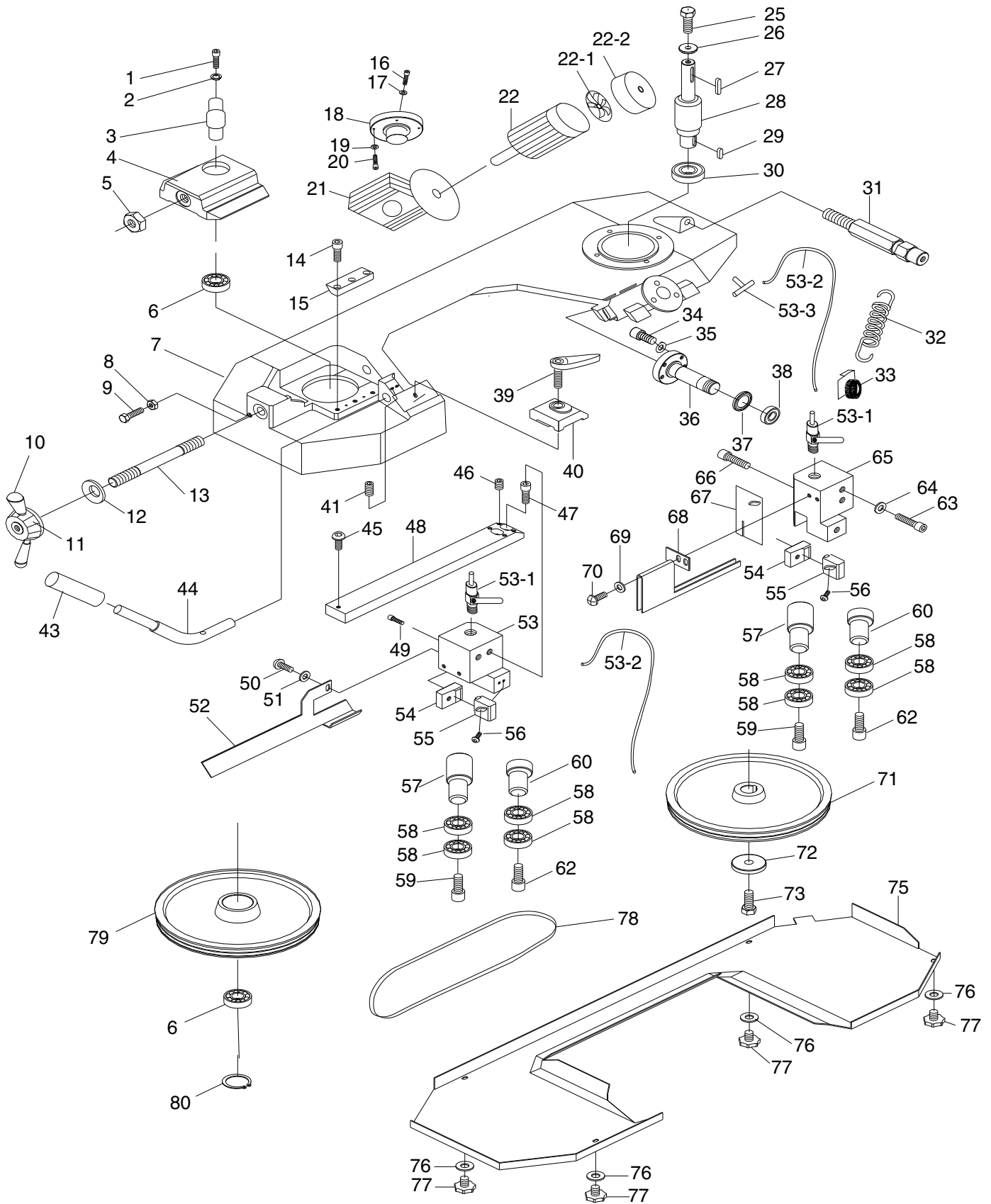
Parts List (G0613)

REF	PART #	DESCRIPTION
1	P0613001	CAP SCREW M10-1.5 X 25
2	P0613002	FLAT WASHER 10MM
3	P0613003	SHAFT
4	P0613004	ANCHOR BLOCK
5	P0613005	HEX NUT M16-2
6	P0613006	BALL BEARING 6204
7	P0613007	BODY FRAME
8	P0613008	HEX NUT M6-1
9	P0613009	HEX BOLT M6-1 X 30
10	P0613010	KNOB
11	P0613011	BLADE TENSION HANDLE
12	P0613012	CONCAVE WASHER
13	P0613013	LEADSCREW
14	P0613014	CAP SCREW M8-1.25 X 25
15	P0613015	FIXED BLOCK
16	P0613016	CAP SCREW M8-1.25 X 30
17	P0613017	LOCK WASHER 8MM
18	P0613018	REDUCER BLOCK
19	P0613019	FLAT WASHER 8MM
20	P0613020	CAP SCREW M8-1.25 X 25
21	P0613021	GEARBOX
22	P0613022	MOTOR 1HP 220V 1-PH
22-1	P0613022-1	START CAPACITOR
22-2	P0613022-2	RUN CAPACITOR
22-3	P0613022-3	FAN
22-4	P0613022-4	FAN COVER
25	P0613025	HEX BOLT M10-1.5 X 25
26	P0613026	FLAT WASHER 10MM
27	P0613027	KEY 8 X 7 X 35
28	P0613028	OUTPUT SHAFT
29	P0613029	KEY 7 X 7 X 35
30	P0613030	BALL BEARING 6206ZZ
31	P0613031	SPRING SUPPORT
32	P0613032	TENSION SPRING
33	P0613033	CAP SCREW M6-1 X 25
34	P0613034	LOCK WASHER 6MM
35	P0613035	FRAME PIVOT SHAFT
36	P0613036	CHIP COVER
37	P0613037	TAPERED BEARING 32006
38	P0613038	BLADE COVER(REAR)
39	P0613039	KNOB BOLT 3/8-24 X 1
40	P0613040	FIXED BLOCK
41	P0613041	SET SCREW M8-1.25 X 16

REF	PART #	DESCRIPTION
43	P0613043	HANDLE
44	P0613044	HANDLE PIPE
45	P0613045	BUTTON HD CAP SCR M6-1 X 25
46	P0613046	SET SCREW M8-1.25 X 8
47	P0613047	CAP SCREW M8-1.25 X 35
48	P0613048	BLADE ADJUSTMENT BAR
49	P0613049	CAP SCREW M8-1.25 X 12
50	P0613050	PHLP HD SCR M5-.8 X 10
51	P0613051	FLAT WASHER 5MM
52	P0613052	BLADE COVER (FRONT)
53	P0613053	ADJUSTMENT BLOCK (FRONT)
53-1	P0613053-1	FLOW VALVE
53-2	P0613053-2	COOLANT HOSE
53-3	P0613053-3	STEEL "T"
54	P0613054	ECCENTRIC GUIDE (L)
55	P0613055	BALL BEARING 608
57	P0613057	EXT RETAINING RING 8MM
58	P0613058	ECCENTRIC GUIDE (R)
59	P0613059	LOCK WASHER 8MM
60	P0613060	HEX NUT M8-1.25
62	P0613062	CAP SCREW M8-1.25 X 30
63	P0613063	FLAT WASHER 8MM
64	P0613064	ADJUSTMENT BLOCK (REAR)
65	P0613065	PIN
66	P0613066	BALL BEARING 608
67	P0613067	CHIP PLATE
68	P0613068	FLAT WASHER 5MM
69	P0613069	PHLP HD SCR M5-.8 X 10
70	P0613070	DRIVE WHEEL
71	P0613071	FLAT WASHER 10MM
72	P0613072	HEX BOLT M10-1.5 X 25
73	P0613073	WATERPROOF LIMIT SWITCH
73-1	P0613073-1	SWITCH BRACKET
73-2	P0613073-2	PHLP HD SCR M5-.8 X 10
73-3	P0613073-3	PHLP HD SCR M5-.8 X 35
73-4	P0613073-4	WATERPROOF POWER CORD
74	P0613074	MAIN BLADE COVER
75	P0613075	FLAT WASHER 6MM
76	P0613076	KNOB SCREW M6-1 X 10
77	P0613077	SAW BLADE
78	P0613078	IDLER WHEEL
79	P0613079	EXT RETAINING RING 25MM



Headstock and Bow Breakdown (G0614)



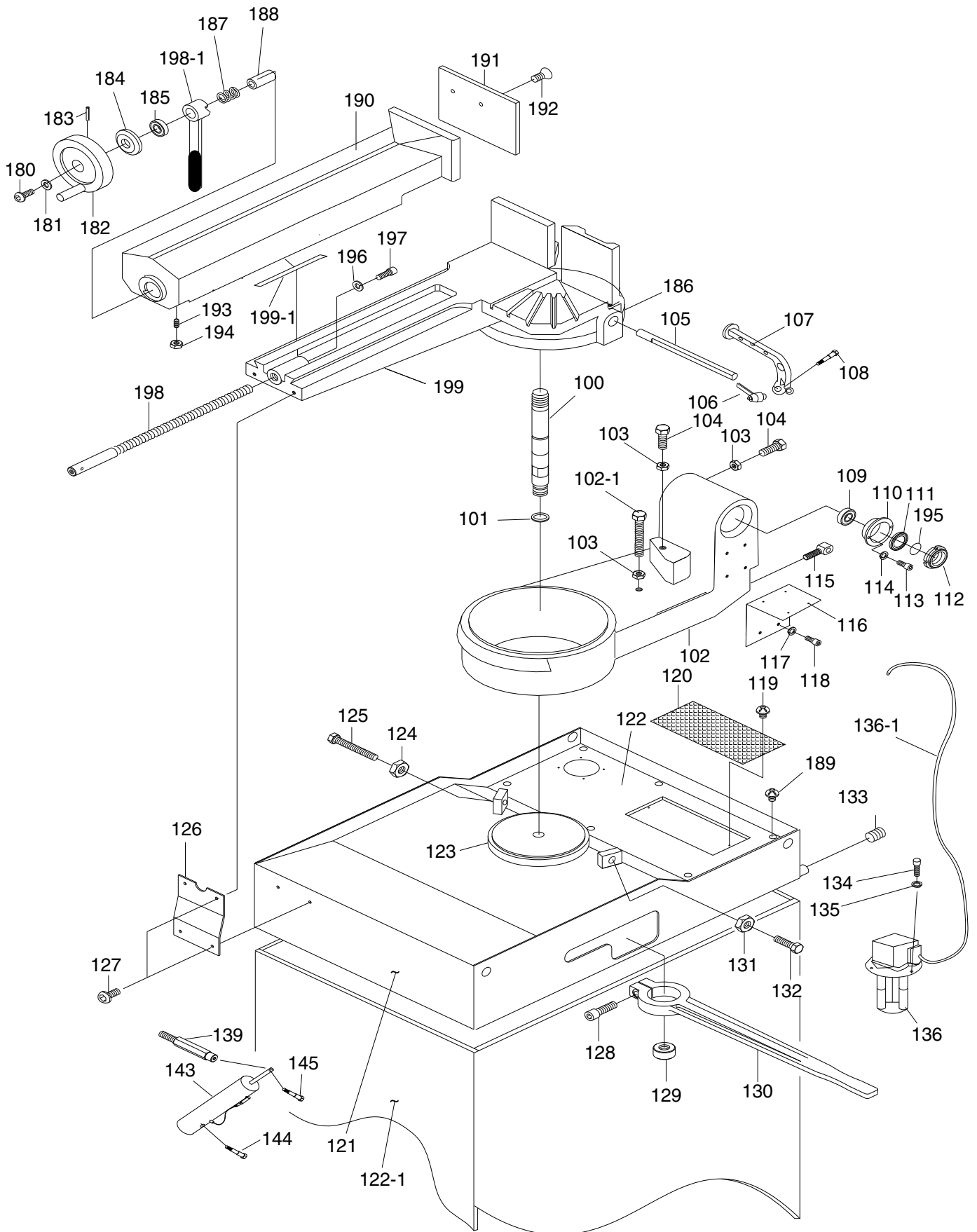
Parts List (G0614)

REF	PART #	DESCRIPTION
1	P0614001	CAP SCREW M10-1.5 X 25
2	P0614002	FLAT WASHER 10MM
3	P0614003	SHAFT
4	P0614004	ANCHOR BLOCK
5	P0614005	HEX NUT M16-2
6	P0614006	BALL BEARING 6205
7	P0614007	BODY FRAME
8	P0614008	HEX NUT M6-1
9	P0614009	HEX BOLT M6-1 X 30
10	P0614010	KNOB
11	P0614011	BLADE TENSION HANDLE
12	P0614012	CONCAVE WASHER
13	P0614013	LEADSCREW
14	P0614014	CAP SCREW M8-1.25 X 25L
15	P0614015	FIXED BLOCK
16	P0614016	CAP SCREW M8-1.25 X 30
17	P0614017	LOCK WASHER 8MM
18	P0614018	REDUCER BLOCK
19	P0614019	FLAT WASHER 8MM
20	P0614020	CAP SCREW M8-1.25 X 25
21	P0614021	GEARBOX
22	P0614022	MOTOR 220V 3-PHASE
22-1	P0614022-1	FAN
22-2	P0614022-2	COVER
25	P0614025	HEX BOLT M10-1.5 X 25
26	P0614026	FLAT WASHER 10MM
27	P0614027	KEY 8 X 7 X 35
28	P0614028	OUTPUT SHAFT
29	P0614029	KEY 7 X 7 X 35
30	P0614030	BALL BEARING 6206
31	P0614031	SPRING SUPPORT
32	P0614032	TENSION SPRING
33	P0614033	BRUSH
34	P0614034	CAP SCREW M6-1 X 25
35	P0614035	LOCK WASHER 6MM
36	P0614036	FRAME PIVOT SHAFT
37	P0614037	CHIP COVER
38	P0614038	TAPERED BEARING 32006
39	P0614039	LEVER BOLT 3/8-24 X 1
40	P0614040	FIXED BLOCK

REF	PART #	DESCRIPTION
41	P0614041	SET SCREW M8-1.25 X 16
43	P0614043	HANDLE
44	P0614044	HANDLE PIPE
45	P0614045	BUTTON HD CAP SCR M6-1 X 20
46	P0614046	SET SCREW M8-1.25 X 8
47	P0614047	CAP SCREW M8-1.25 X 35
48	P0614048	BLADE ADJUSTMENT BAR
49	P0614049	CAP SCREW M8-1.25 X 12
50	P0614050	PHLP HD SCR M5-.8 X 10
51	P0614051	FLAT WASHER 5MM
52	P0614052	BLADE COVER (FRONT)
53	P0614053	ADJUSTMENT BLOCK (FRONT)
53-1	P0614053-1	FLOW VALVE
53-2	P0614053-2	COOLANT HOSE
53-3	P0614053-3	STEEL "T"
54	P0614054	GUIDE
55	P0614055	GUIDE
56	P0614056	BUTTON HD CAP SCR M6-1 X 20
57	P0614057	ECCENTRIC GUIDE
58	P0614058	BALL BEARING 608
59	P0614059	PHLP HD SCR M5-.8 X 25
60	P0614060	ECCENTRIC GUIDE
62	P0614062	CAP SCR M5-.8 X 15
63	P0614063	CAP SCREW M8-1.25 X 35
64	P0614064	LOCK WASHER 8MM
65	P0614065	ADJUSTMENT BLOCK (REAR)
66	P0614066	CAP SCREW M8-1.25 X 12
67	P0614067	CHIP PLATE
68	P0614068	BLADE COVER (REAR)
69	P0614069	FLAT WASHER 5MM
70	P0614070	PHLP HD SCR M5-.8 X 10
71	P0614071	DRIVE WHEEL
72	P0614072	FLAT WASHER 10MM
73	P0614073	HEX BOLT M10-1.5 X 25
75	P0614075	MAIN BLADE COVER
76	P0614076	FLAT WASHER 6MM
77	P0614077	KNOB SCREW M6-1 X 10
78	P0614078	SAW BLADE
79	P0614079	IDLER WHEEL
80	P0614080	EXT RETAINING RING 25MM



Base Breakdown (G0613)



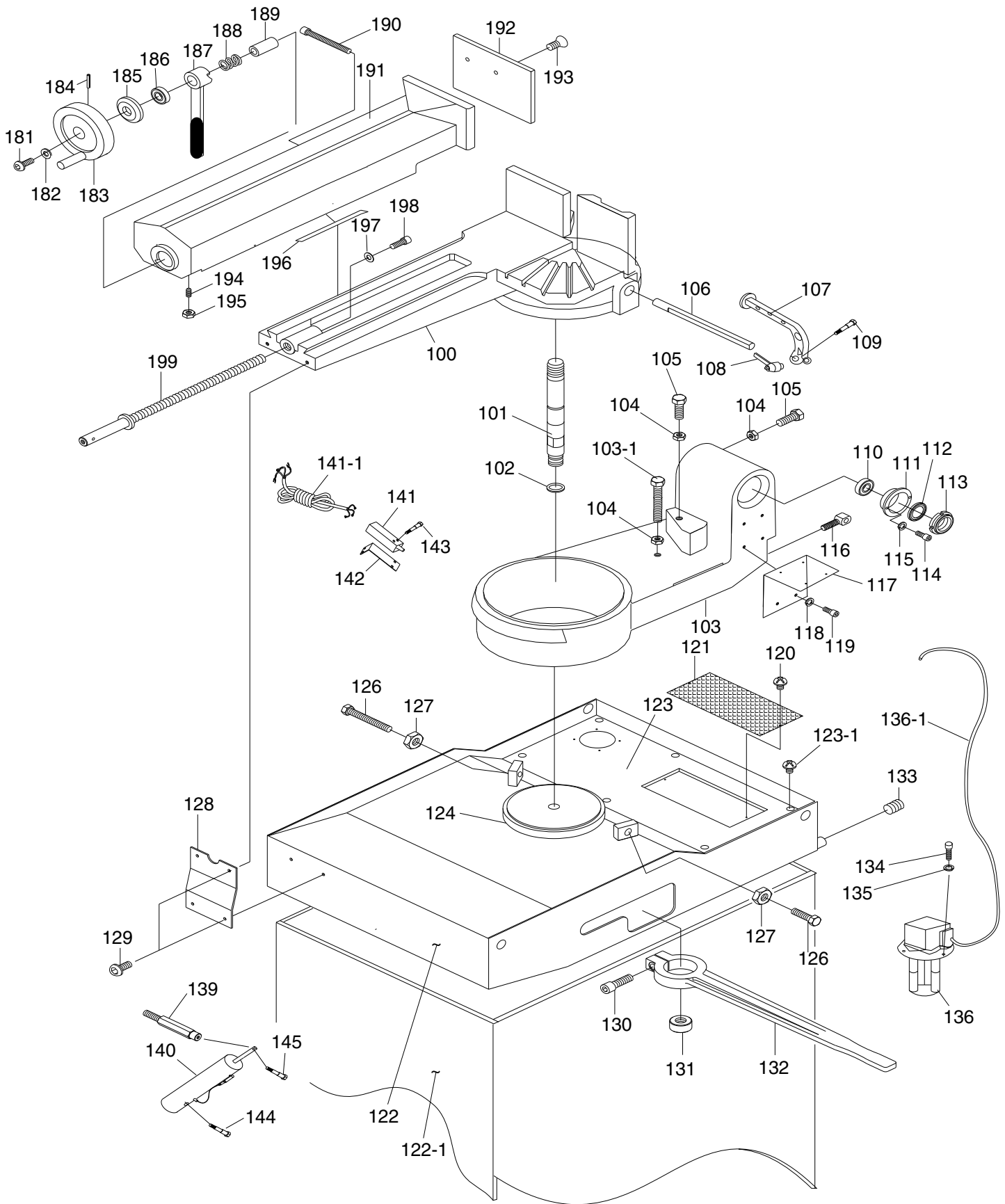
Parts List (G0613)

REF	PART #	DESCRIPTION
100	P0613100	WISE JAW ADJUSTABLE ROD
101	P0613101	RETAINER
102	P0613102	SWIVEL ARM
102-1	P0613102-1	HEX BOLT M10-1.5 X 35
103	P0613103	HEX NUT M10-1.5
104	P0613104	HEX BOLT M10-1.5 X 30
105	P0613105	DISTANCE SET ROD
106	P0613106	KNOB NUT M6-1
107	P0613107	BRACKET
108	P0613108	PHLP HD SCR M6-1 X 20
109	P0613109	BALL BEARING 32006
110	P0613110	BUSHING
111	P0613111	BEARING COVER
112	P0613112	SPANNER NUT M30 X 1.5
113	P0613113	CAP SCREW M6-1 X 16
114	P0613114	LOCK WASHER 6MM
115	P0613115	SPRING ANCHOR
116	P0613116	L-BRACKET
117	P0613117	LOCK WASHER 8MM
118	P0613118	CAP SCREW M8-1.25 X 25
119	P0613119	PHLP HD SCR M5-.8 X 8
120	P0613120	SCREEN
121	P0613121	BASE
121-1	P0613121-1	BASE CABINET
122	P0613122	COVER
123	P0613123	SWIVEL PLATE
124	P0613124	HEX NUT M10-1.5
125	P0613125	HEX BOLT M10-1.5 X 30
126	P0613126	FIXED PLATE
127	P0613127	BUTTON HD CAP SCR M6-1 X 16
128	P0613128	CAP SCREW M10-1.5 X 35
129	P0613129	NUT
130	P0613130	ADJUSTABLE HANDLE

REF	PART #	DESCRIPTION
131	P0613131	HEX NUT M10-1.5
132	P0613132	HEX BOLT M10-1.5 X 30
133	P0613133	HEX PLUG 3/8PT
134	P0613134	CAP SCR M6-1 X 16
135	P0613135	LOCK WASHER 6MM
136	P0613136	PUMP 110V, SINGLE PHASE
136-1	P0613136-1	COOLANT HOSE
139	P0613139	CYLINDER BRACKET
143	P0613143	CYLINDER
144	P0613144	CAP SCREW M12-1.75 X 80
145	P0613145	CAP SCREW M10-1.5 X 55
180	P0613180	BUTTON HD CAP SCR M8-1.25 X 20
181	P0613181	FLAT WASHER 8MM
182	P0613182	HANDWHEEL
183	P0613183	ROLL PIN
184	P0613184	BEARING COVER
185	P0613185	BALL BEARING 51106
186	P0613186	WISE BED
187	P0613187	TENSION SPRING
188	P0613188	BUSHING
189	P0613189	PHLP HD SCR M6-1 X 16
190	P0613190	WISE JAW BRACKET(FRONT)
191	P0613191	WISE PLATE
192	P0613192	FLAT HD SCR M8-1.25 X 16
193	P0613193	SET SCREW M8-1.25 X 20
194	P0613194	HEX NUT M8-1.25
195	P0613195	O-RING
196	P0613196	FLAT WASHER 8MM
197	P0613197	CAP SCREW M8-1.25 X 20
198	P0613198	LEADSCREW A
198-1	P0613198-1	LEADSCREW LOCK LEVER
199	P0613199	WISE JAW BRACKET(REAR)
199-1	P0613199-1	GIB



Base Breakdown (G0614)



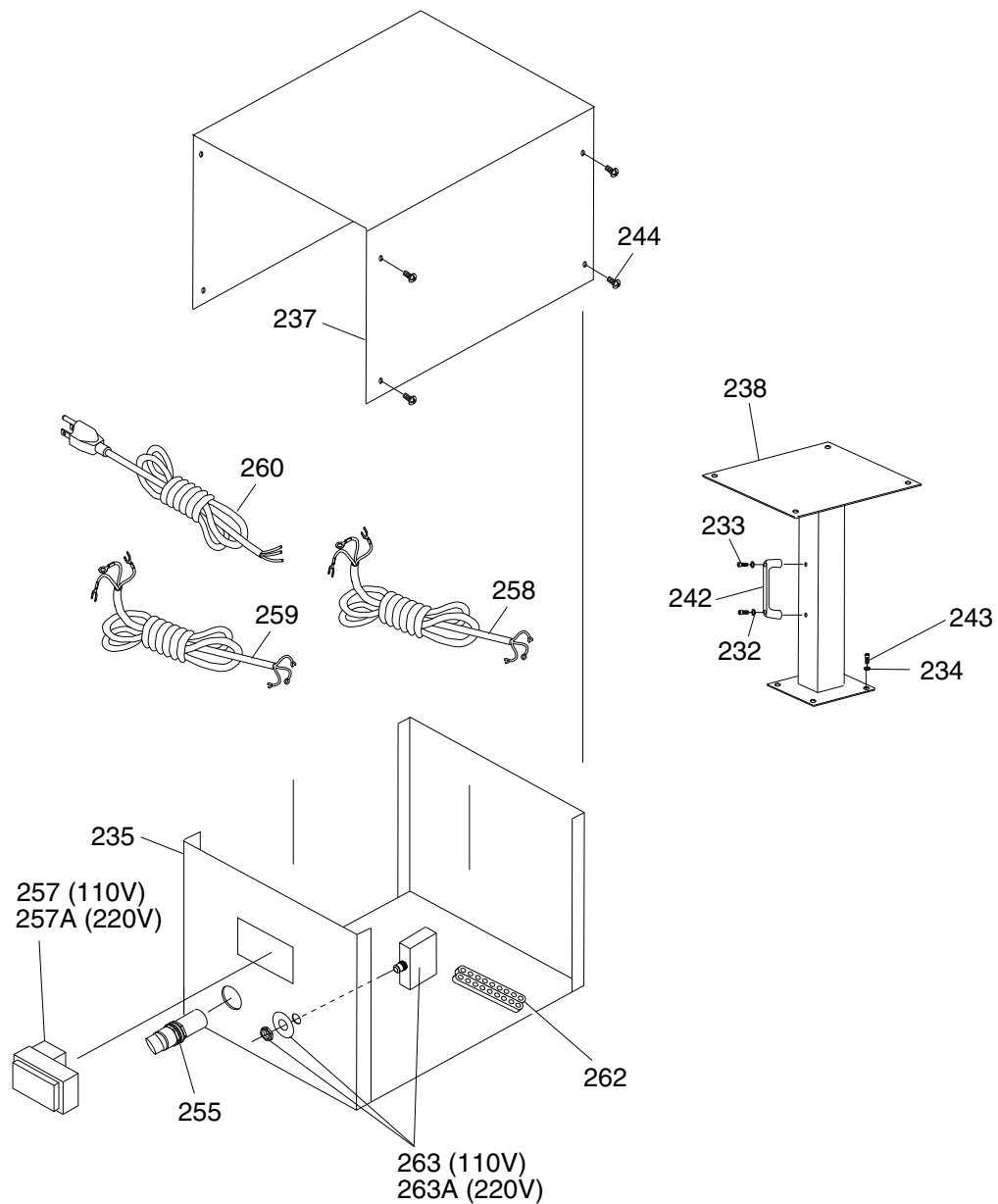
Parts List (G0614)

REF	PART #	DESCRIPTION
100	P0614100	WISE JAW BRACKET(REAR)
101	P0614101	WISE JAW ADJUSTABLE ROD
102	P0614102	RETAINER
103	P0614103	SWIVEL ARM
103-1	P0614103-1	HEX BOLT M10-1.5 X 35
104	P0614104	HEX NUT M10-1.5
105	P0614105	HEX BOLT M10-1.5 X 30
106	P0614106	DISTANCE SET ROD
107	P0614107	BRACKET
108	P0614108	LEVER
109	P0614109	PHLP HD SCR M6-1 X 20
110	P0614110	BALL BEARING 32006
111	P0614111	BUSHING
112	P0614112	BEARING COVER
113	P0614113	SPANNER NUT M30 X 1.5
114	P0614114	CAP SCREW M6-1 X 16
115	P0614115	LOCK WASHER 6MM
116	P0614116	SPRING ANCHOR
117	P0614117	L-BRACKET
118	P0614118	LOCK WASHER 8MM
119	P0614119	CAP SCREW M8-1.25 X 25
120	P0614120	PHLP HD SCR M5-.8 X 8
121	P0614121	SCREEN
122	P0614122	BASE
122-1	P0614122-1	BASE CABINET
123	P0614123	COVER
123-1	P0614123-1	PHLP HD SCR M6-1 X 12
124	P0614124	SWIVEL PLATE
126	P0614126	HEX BOLT M10-1.5 X 30
127	P0614127	HEX NUT M10-1.5
128	P0614128	FIXED PLATE
129	P0614129	BUTTON HD CAP SCR M6-1 X 16
130	P0614130	CAP SCREW M10-1.5 X 35

REF	PART #	DESCRIPTION
131	P0614131	NUT
132	P0614132	ADJUSTABLE HANDLE
133	P0614133	HEX PLUG 3/8PT
134	P0614134	CAP SCR M6-1 X 16
135	P0614135	FLAT WASHER 6MM
136	P0614136	PUMP 220V, 3-PHASE
136-1	P0614136-1	PLASTIC TUBING
140	P0614140	CYLINDER
141	P0614141	WATERPROOF LIMIT SWITCH
141-1	P0614141-1	WATERPROOF POWER CORD
142	P0614142	SWITCH PLADE
143	P0614143	PHLP HD SCR M5-.8 X 35
144	P0614144	CAP SCREW M12-1.75 X 80
145	P0614145	CAP SCREW M10-1.5 X 55
181	P0614181	BUTTON HD CAP SCR M8-1.25 X 20
182	P0614182	FLAT WASHER 8MM
183	P0614183	WHEEL
184	P0614184	ROLL PIN
185	P0614185	BEARING COVER
186	P0614186	BALL BEARING 51106
187	P0614187	WISE HANDLE
188	P0614188	TENSION SPRING
189	P0614189	BUSHING
190	P0614190	CAP SCREW M6-1 X 25
191	P0614191	WISE JAW BRACKET(FRONT)
192	P0614192	WISE PLATE
193	P0614193	FLAT HD SCR M8-1.25 X 16
194	P0614194	SET SCREW M8-1.25 X 20
195	P0614195	HEX NUT M8-1.25
196	P0614196	GIB
197	P0614197	FLAT WASHER 8MM
198	P0614198	CAP SCREW M8-1.25 X 20
199	P0614199	LEADSCREW A



Electrical Box Breakdown (G0613)



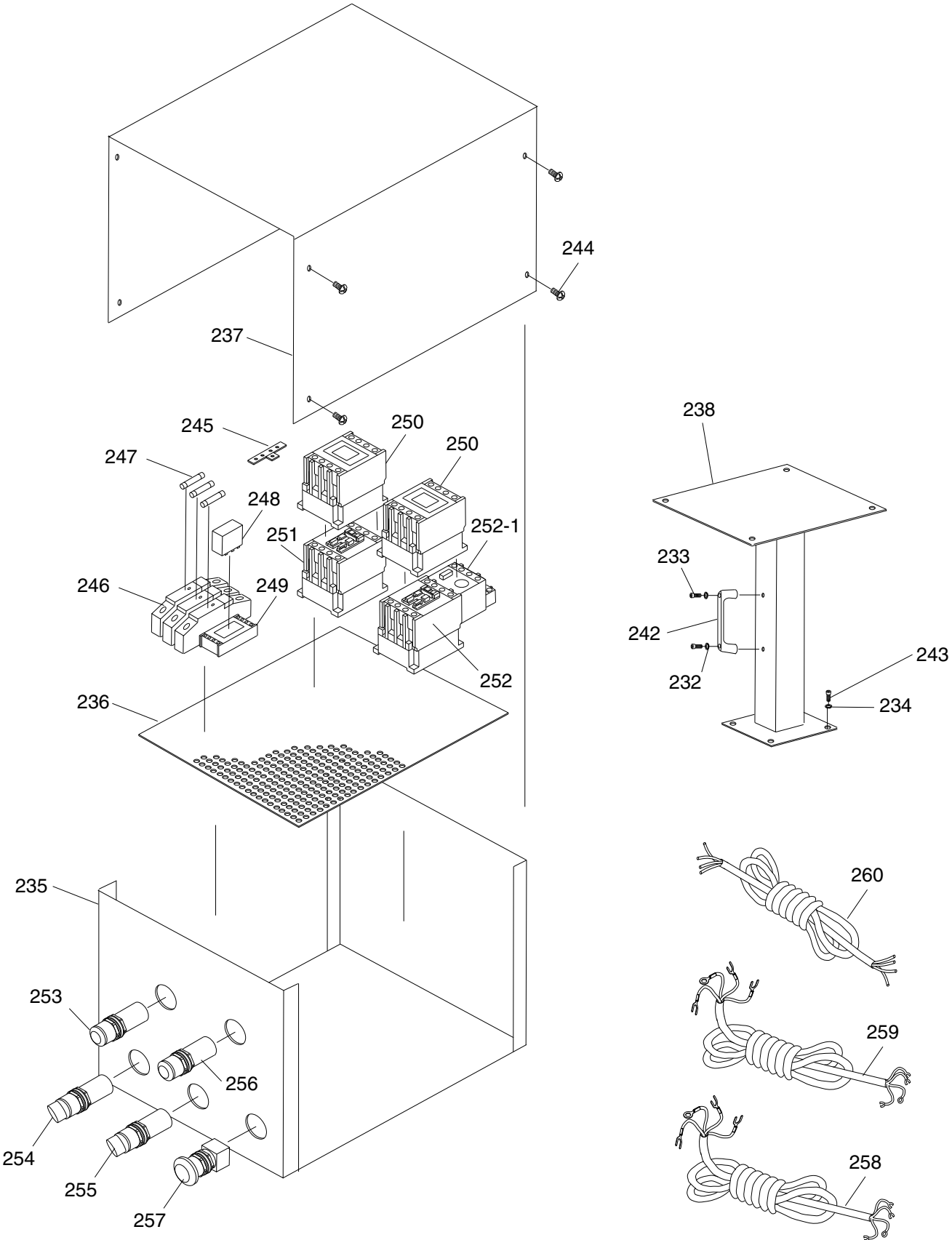
Parts List (G0613)

REF	PART #	DESCRIPTION
233	P0613233	CAP SCREW M6-1 X 35
234	P0613234	FLAT WASHER 8MM
235	P0613235	CONTROL BOX
237	P0613237	CONTROL BOX COVER
238	P0613238	CONTROL BOX STAND
242	P0613242	HANDLE
243	P0613243	CAP SCREW M8-1.25 X 20
244	P0613244	PHLP HD SCR M6-1 X 12
255	P0613255	PUMP ROTARY SWITCH V1

REF	PART #	DESCRIPTION
257	P0613257	ON/OFF & EMGNCY SW 110V
257A	P0613257A	ON/OFF & EMGNCY SW 220V
258	P0613258	MOTOR POWER CORD 110V
259	P0613259	PUMP POWER CORD 110V
260	P0613260	POWER SUPPLY CORD 110V
262	P0613262	JUNCTION BLOCK
263	P0613263	CIRCUIT BREAKER 15A 110V
263A	P0613263A	CIRCUIT BREAKER 7A 220V
264	P0613264	220V CONVERSION KIT



Electrical Box Breakdown (G0614)



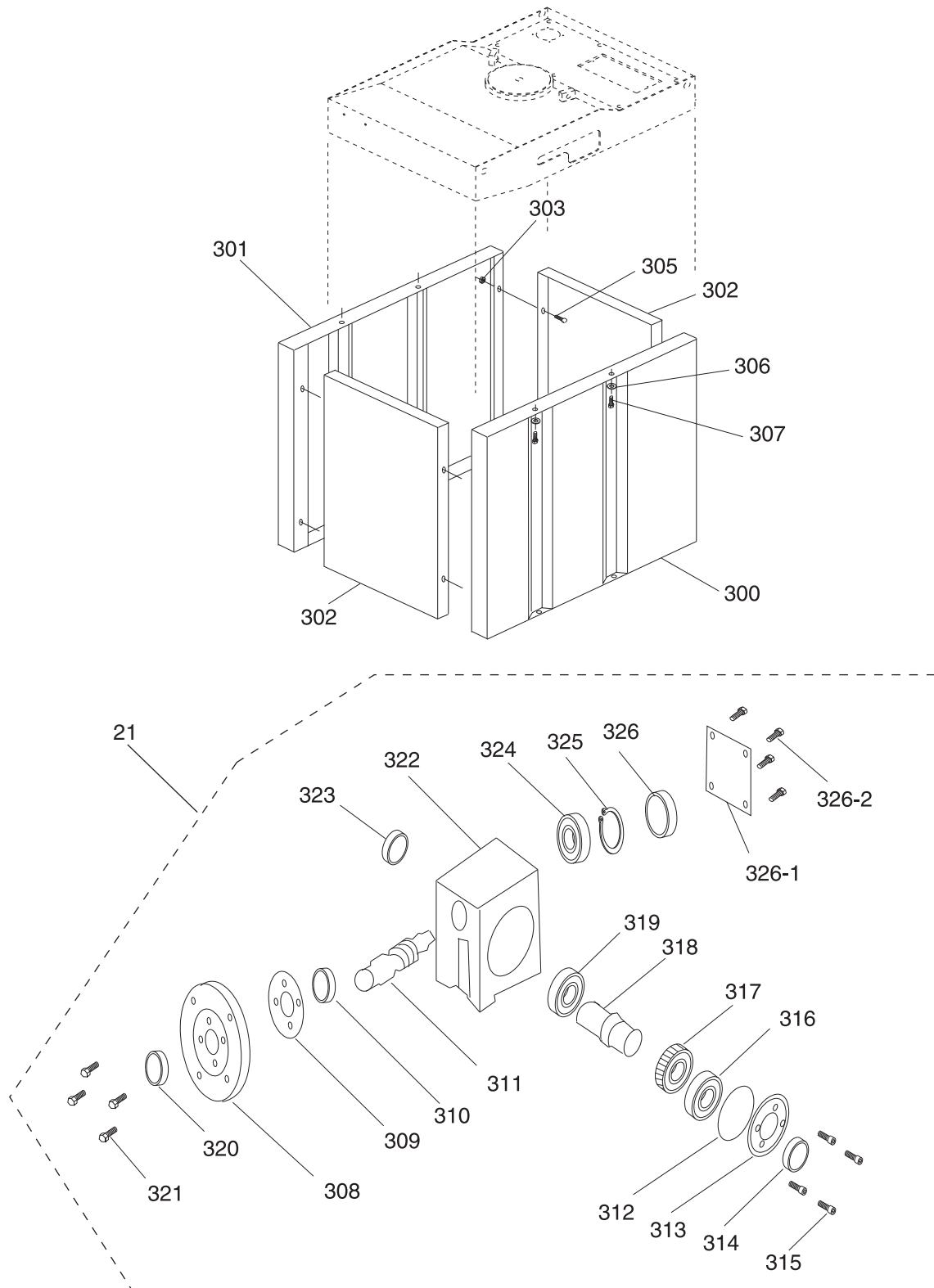
Parts List (G0614)

REF	PART #	DESCRIPTION
232	P0614232	LOCK WASHER 6MM
233	P0614233	CAP SCREW M6-1 X 35
234	P0614234	FLAT WASHER 8MM
235	P0614235	CONTROL BOX
236	P0614236	ELECTRICAL MOUNTING PLATE
237	P0614237	CONTROL BOX COVER
238	P0614238	CONTROL BOX STAND
242	P0614242	HANDLE
243	P0614243	CAP SCREW M8-1.25 X 20
244	P0614244	PHLP HD SCR M6-1 X 12
245	P0614245	GROUND PLATE
246	P0614246	FUSE HOUSING V1
247	P0614247	FUSE V1
248	P0614248	RELAY RXL 4A06B1P7 PYF14A

REF	PART #	DESCRIPTION
249	P0614249	RELAY BASE MY 4-14A
250	P0614250	CONTACTOR 220V TCF-4 V1
251	P0614251	CONTACTOR 220V TC-11 V1
250-1	P0614250-1	CONTACTOR 220V TCF-4
252	P0614252	CONTACTOR 220V TC-11 V1
252-1	P0614252-1	OL RELAY 220V THR-12 V1
253	P0614253	ON PUSH BUTTON V1
254	P0614254	MOTOR 2-SPEED SWITCH V1
255	P0614255	PUMP ROTARY SWITCH V1
256	P0614256	OFF PUSH BUTTON SWITCH V1
257	P0614257	EMERGENCY STOP SWITCH
258	P0614258	MOTOR POWER CORD 3-PHASE
259	P0614259	PUMP POWER CORD 3-PHASE
260	P0614260	POWER SUPPLY CORD 3-PHASE



Cabinet & Gearbox (G0613 & G0614)



Parts List (G0613)

REF	PART #	DESCRIPTION
300	P0613300	FRONT PANEL
301	P0613301	REAR PANEL
302	P0613302	SIDE PANEL
303	P0613303	HEX NUT 5/16-18
304	P0613304	FLAT WASHER 8MM
305	P0613305	CARRIAGE BOLT 5/16-18 X 5/8
306	P0613306	FLAT WASHER 10MM
307	P0613307	HEX BOLT M10-1.5 X 25
308	P0613308	MOTOR FLANGE
309	P0613309	O-RING
310	P0613310	BALL BEARING 6006ZZ
311	P0613311	WORM SHAFT
312	P0613312	O-RING
313	P0613313	OUTPUT SHAFT COVER
314	P0613314	OIL SEAL

REF	PART #	DESCRIPTION
315	P0613315	CAP SCREW M6-1 X 20
316	P0613316	BALL BEARING 6008
317	P0613317	WORM WHEEL
318	P0613318	OUTPUT SHAFT
319	P0613319	BALL BEARING 6008
320	P0613320	OIL SEAL
321	P0613321	HEX BOLT M6-1 X 25
322	P0613322	HOUSING
323	P0613323	OIL SEAL
324	P0613324	BALL BEARING 6204ZZ
325	P0613325	EXT RETAINING RING 47MM
326	P0613326	OIL SEAL
326-1	P0613326-1	OIL SEAL COVER
326-2	P0613326-2	HEX BOLT 1/4-20 X 3/8

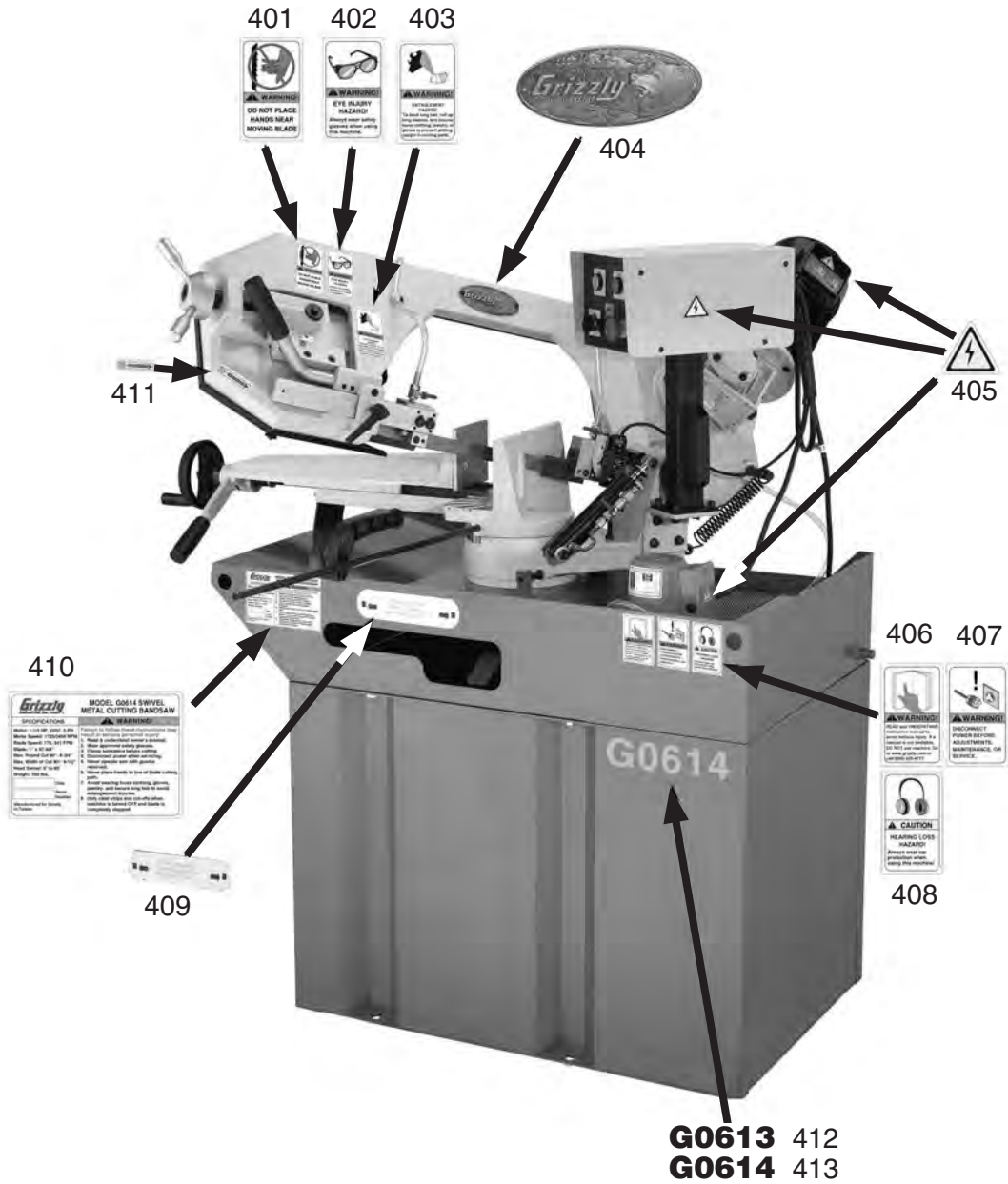
Parts List (G0614)

REF	PART #	DESCRIPTION
300	P0614300	FRONT PANEL
301	P0614301	REAR PANEL
302	P0614302	SIDE PANEL
303	P0614303	HEX NUT 5/16-18
305	P0614305	CARRIAGE BOLT 5/16-18 X 5/8
306	P0614306	FLAT WASHER 10MM
307	P0614307	HEX BOLT M10-1.5 X 25
308	P0614308	MOTOR FLANGE
309	P0614309	O-RING
310	P0614310	BALL BEARING 6006ZZ
311	P0614311	WORM SHAFT
312	P0614312	O-RING
313	P0614313	OUTPUT SHAFT COVER
314	P0614314	OIL SEAL

REF	PART #	DESCRIPTION
315	P0614315	CAP SCREW M6-1 X 20
316	P0614316	BALL BEARING 6008
317	P0614317	WORM WHEEL
318	P0614318	OUTPUT SHAFT
319	P0614319	BALL BEARING 6008
320	P0614320	OIL SEAL
321	P0614321	HEX BOLT M6-1 X 25
322	P0614322	HOUSING
323	P0614323	OIL SEAL
324	P0614324	BALL BEARING 6204ZZ
325	P0614325	EXT RETAINING RING 47MM
326	P0614326	OIL SEAL
326-1	P0614326-1	OIL SEAL COVER
326-2	P0614326-2	HEX BOLT 1/4-20 X 3/8



Labels and Placement



REF	PART #	DESCRIPTION
401	P0613401	FINGERS CUT WARNING LABEL
402	P0613402	WEAR SAFETY GLASSES LABEL
403	P0613403	ENTANGLEMENT LABEL
404	P0613404	GRIZZLY LOGO PLATE
405	P0613405	ELECTRICITY LABEL
406	P0613406	READ MANUAL LABEL
407	P0613407	UNPLUG 220V LABEL

REF	PART #	DESCRIPTION
408	P0613408	HEARING PROTECTION LABEL
409	P0613409	LOCK AND UNLOCK LABEL
410	P0613410	G0613 DATA LABEL
411	P0613411	BLADE DIRECTION LABEL
412	P0613412	MODEL NUMBER LABEL (G0613)
413	P0614413	MODEL NUMBER LABEL (G0614)

WARNING

Safety labels warn about machine hazards and ways to prevent injury. The owner of this machine **MUST** maintain the original location and readability of the labels on the machine. If any label is removed or becomes unreadable, **REPLACE** that label before using the machine again. Contact Grizzly at (800) 523-4777 or www.grizzly.com to order new labels.

