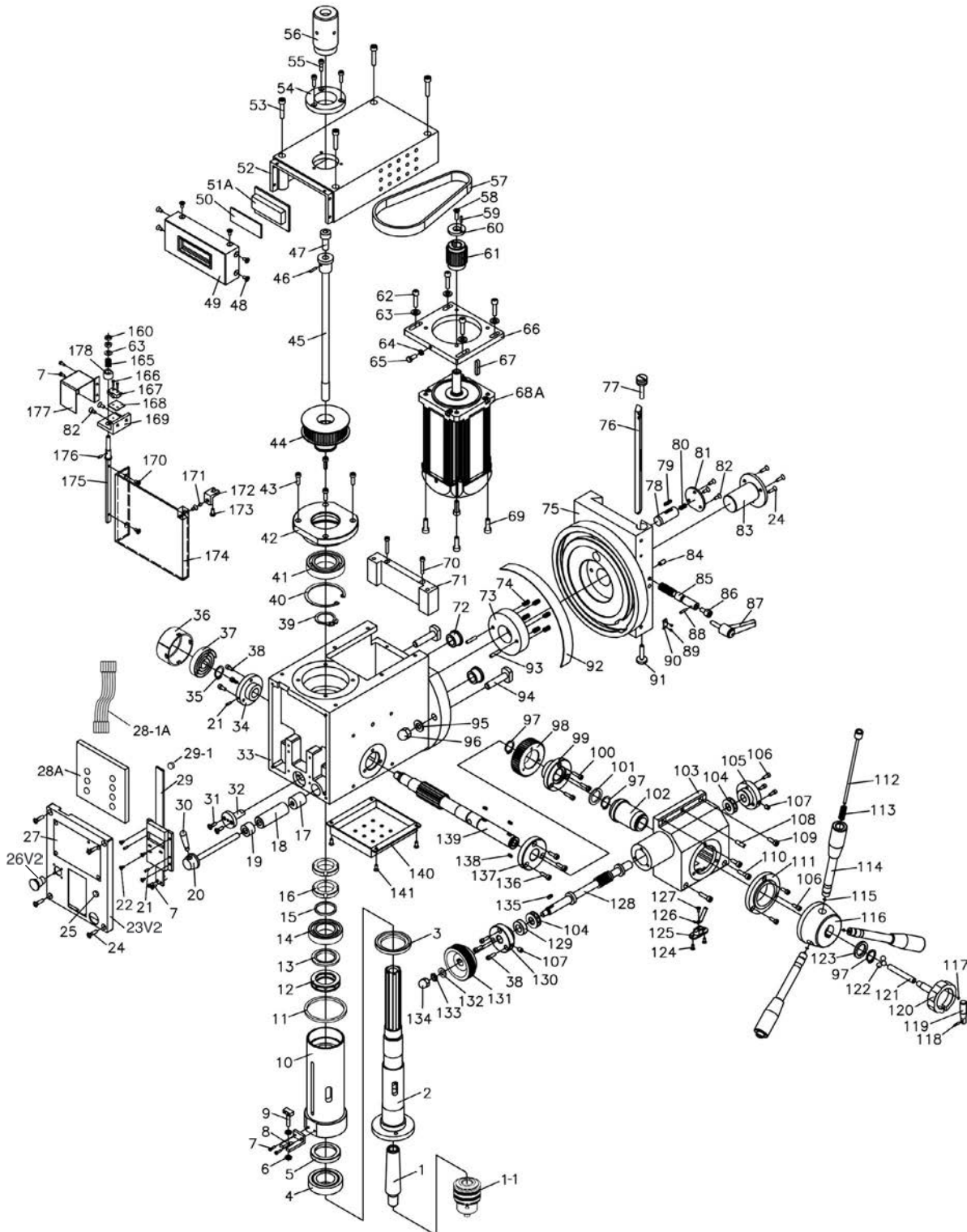


# SECTION 9: PARTS

We do our best to stock replacement parts when possible, but we cannot guarantee that all parts shown are available for purchase. Call (800) 523-4777 or visit [www.grizzly.com/parts](http://www.grizzly.com/parts) to check for availability.

## Headstock & Controls



# Headstock & Controls Parts List

REF	PART #	DESCRIPTION
1	P0619001	DRILL CHUCK ARBOR R8 X JT6, 140MM L
1-1	P0619001-1	CHUCK 1-16MM JT6
2	P0619002	SPINDLE
3	P0619003	OIL SEAL
4	P0619004	TAPER ROLLER BEARING 32907
5	P0619005	OIL SEAL
6	P0619006	HEX NUT M5-.8
7	P0619007	PHLP HD SCR M3-.5 X 8
8	P0619008	DISPLAY BRACKET
9	P0619009	T-BLOCK HEAD STUD
10	P0619010	SPINDLE SLEEVE
11	P0619011	SLEEVE LIMIT PAD
12	P0619012	BALL BEARING 8106
13	P0619013	THRUST WASHER 30MM BLACK
14	P0619014	BALL BEARING 6006ZZ
15	P0619015	THRUST WASHER
16	P0619016	SPANNER NUT M2-.4 X 1.5
17	P0619017	SHORT LOCK SLEEVE
18	P0619018	LONG LOCK SLEEVE
19	P0619019	LOCK SPACER
20	P0619020	HUB AND LOCK BOLT
21	P0619021	ROLL PIN 3 X 8
22	P0619022	PHLP HD SCR M3-.5 X 8
23V2	P0619023V2	CONTROL PANEL V2.07.18
24	P0619024	FLAT HD SCR M4-.7 X 16
25	P0619025	INDICATOR LIGHT
26V2	P0619026V2	E-STOP BUTTON KEDU HY57B V2.07.18
27	P0619027	TOUCH PANEL
28-1A	P0619028-1A	HARNES W/PLUGS V2.04.07
28A	P0619028A	CONTROL PANEL PC BOARD V2.04.07
29	P0619029	DIGITAL SPINDLE DEPTH UNIT
29-1	P0619029-1	BATTERY SR44
30	P0619030	LEVER
31	P0619031	FLAT HD SCR M3-.5 X 10
32	P0619032	SPINDLE ORIENTATION SHAFT
33	P0619033	HEADSTOCK
34	P0619034	SUPPORT FLANGE
35	P0619035	EXT RETAINING RING 16MM
36	P0619036	TORSION SPRING COVER
37	P0619037	TORSION SPRING
38	P0619038	CAP SCREW M4-.7 X 12
39	P0619039	EXT RETAINING RING 35MM
40	P0619040	INT RETAINING RING 65MM
41	P0619041	BALL BEARING 6007ZZ
42	P0619042	BEARING HOUSING
43	P0619043	CAP SCREW M5-.8 X 16
44	P0619044	COGGED PULLEY
45	P0619045	DRAWBAR 7/16-20 TPI
46	P0619046	TAPER PIN 3 X 18
47	P0619047	CAP SCREW M10-1.5 X 16
48	P0619048	FLAT HD SCR M4-.7 X 6

REF	PART #	DESCRIPTION
49	P0619049	DISPLAY HOUSING
50	P0619050	LENSE
51A	P0619051A	DIGITAL SPEED DISPLAY UNIT V2.04.07
52	P0619052	BELT COVER
53	P0619053	CAP SCREW M6-1 X 40
54	P0619054	SPINDLE COVER BASE
55	P0619055	CAP SCREW M4-.7 X 10
56	P0619056	SPINDLE COVER
57	P0619057	COGGED BELT 5M400
58	P0619058	SPECIAL SCREW M6-1 X 16
59	P0619059	ROLL PIN 3 X 10
60	P0619060	PINNED WASHER
61	P0619061	COGGED DRIVE PULLY
62	P0619062	CAP SCREW M6-1 X 20
63	P0619063	FLAT WASHER 6MM
64	P0619064	HEX NUT M5-.8
65	P0619065	HEX BOLT M5-.8 X 25
66	P0619066	MOTOR SUPPORT PLATE
67	P0619067	KEY 5 X 5 X 25
68A	P0619068A	MOTOR 230V V2.04.07
69	P0619069	CAP SCREW M5-.8 X 20
70	P0619070	CAP SCREW M4-.7 X 35
71	P0619071	GUIDE
72	P0619072	SLEEVE
73	P0619073	FRICITION DISC
74	P0619074	COMPRESSION SPRING
75	P0619075	VERTICAL SLIDE
76	P0619076	GIB
77	P0619077	ADJUSTING SCREW
78	P0619078	SHORT GEAR SHAFT
79	P0619079	KEY 4 X 4 X 12
80	P0619080	COMPRESSION SPRING
81	P0619081	PLATE
82	P0619082	FLAT HD SCR M4-.7 X 10
83	P0619083	PIVOT HUB
84	P0619084	SET SCREW M6-1 X 8
85	P0619085	INLAY SHAFT
86	P0619086	END SHAFT
87	P0619087	LEVER ASSEMBLY
88	P0619088	TAPER PIN 3 X 10MM
89	P0619089	RIVET 2 X 4MM
90	P0619090	POINTER PLATE
91	P0619091	ADJUST SCREW
92	P0619092	ANGLE GAUGE
93	P0619093	ROLL PIN 5 X 20
94	P0619094	T-BOLT
95	P0619095	FLAT WASHER 10MM
96	P0619096	ACORN NUT M10-1.5
97	P0619097	EXT RETAINING RING 20MM
98	P0619098	PINION GEAR
99	P0619099	PINION FLANGE



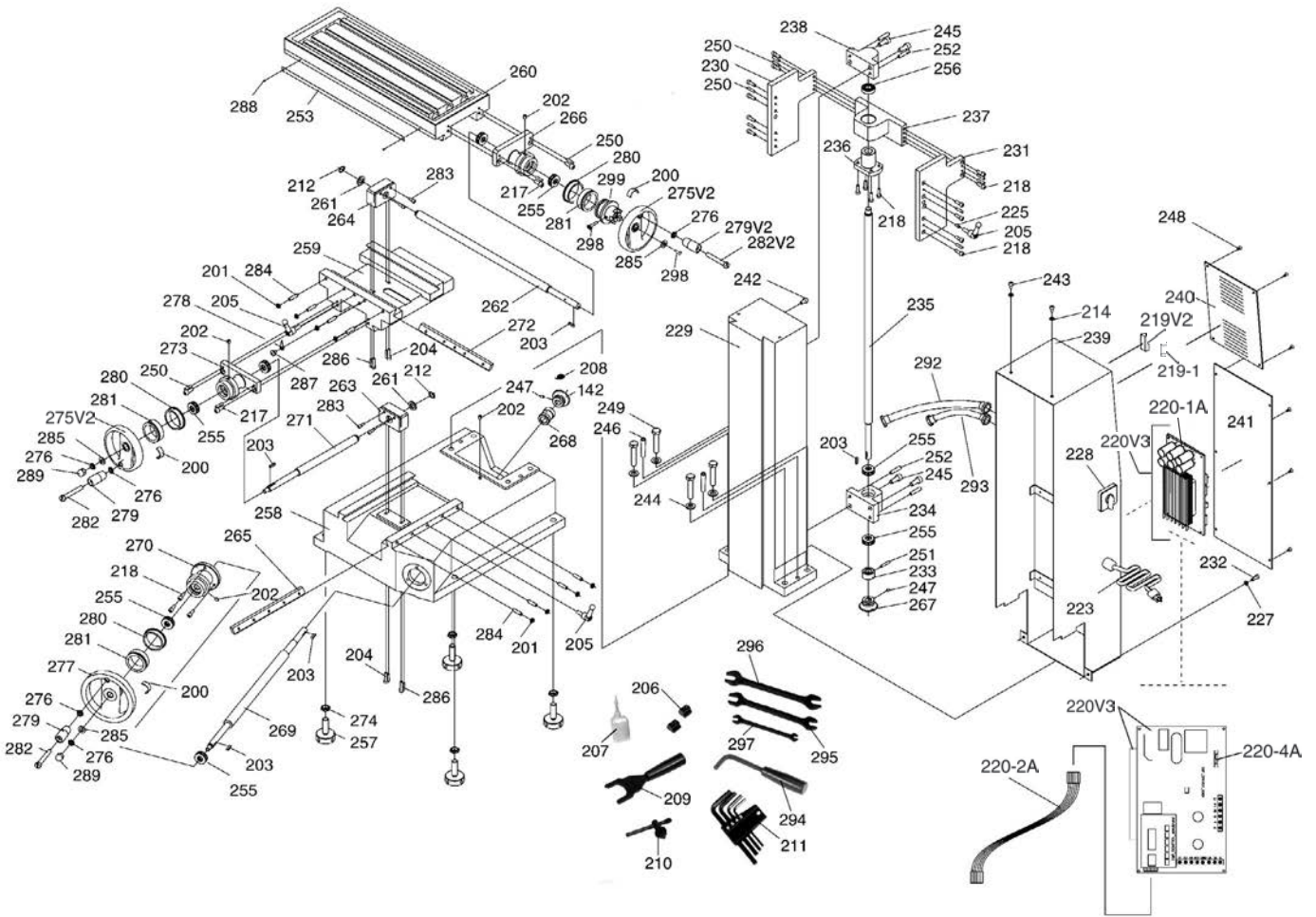
# Headstock & Controls Parts List (Cont.)

REF	PART #	DESCRIPTION
100	P0619100	CAP SCREW M4-.7 X 16
101	P0619101	THRUST WASHER 20MM BLACK
102	P0619102	SLIP-RING ASSEMBLY
103	P0619103	WORM HOUSING
104	P0619104	BALL BEARING 8101
105	P0619105	SUPPORT FLANGE
106	P0619106	CAP SCREW M4-.7 X 10
107	P0619107	BALL OILER
108	P0619108	SCREW LOCK SLEEVE 6 X 20
109	P0619109	CAP SCREW M5-.8 X 16
110	P0619110	CAP SCREW M5-.8 X 20
111	P0619111	FLANGE
112	P0619112	BUTTON CONTROL ROD
113	P0619113	COMPRESSION SPRING
114	P0619114	HANDLE ASSEMBLY
115	P0619115	EXT RETAINING RING 4MM
116	P0619116	RACK HUB
117	P0619117	ROLL PIN 3 X 14
118	P0619118	SMALL MAGNETIC BLOCK
119	P0619119	UNIVERSAL HANDLE
120	P0619120	SPINDLE LOCK HANDKNOB
121	P0619121	LOCK SHAFT
122	P0619122	STEEL BALL 8MM
123	P0619123	RING
124	P0619124	PHLP HD SCR M3-.5 X 6
125	P0619125	LIMIT SWITCH
126	P0619126	CONTACT ARM
127	P0619127	PHLP HD SCR M3-.5 X 6
128	P0619128	WORM SHAFT

REF	PART #	DESCRIPTION
129	P0619129	SPACER
130	P0619130	SUPPORT FLANGE
131	P0619131	WORM HANDWHEEL
132	P0619132	FLAT WASHER 8MM
133	P0619133	HEX NUT M8-1.25
134	P0619134	ACORN NUT M8-1.25
135	P0619135	KEY 4 X 4 X 10
136	P0619136	CAP SCREW M5-.8 X 12
137	P0619137	SUPPORT FLANGE
138	P0619138	KEY 6 X 6 X 8
139	P0619139	GEAR SHAFT
140	P0619140	VENT COVER
141	P0619141	CAP SCREW M4-.7 X 10
142	P0619142	GEAR 24T
160	P0619160	HEX NUT M6-1
165	P0619165	COMPRESSION SPRING
166	P0619166	PHLP HD SCR M2-.4 X 10
167	P0619167	LIMIT SWITCH
168	P0619168	INSULATION WASHER 12MM BLACK
169	P0619169	SUPPORT PLATE
170	P0619170	CAP SCREW M4-.7 X 8
171	P0619171	MAGNET
172	P0619172	BLOCK
173	P0619173	PHLP HD SCR M4-.7 X 10
174	P0619174	SAFETY LENSE
175	P0619175	SHAFT
176	P0619176	ROLL PIN 3 X 8
177	P0619177	COVER
178	P0619178	SPACER



# Column, Table & Inverter



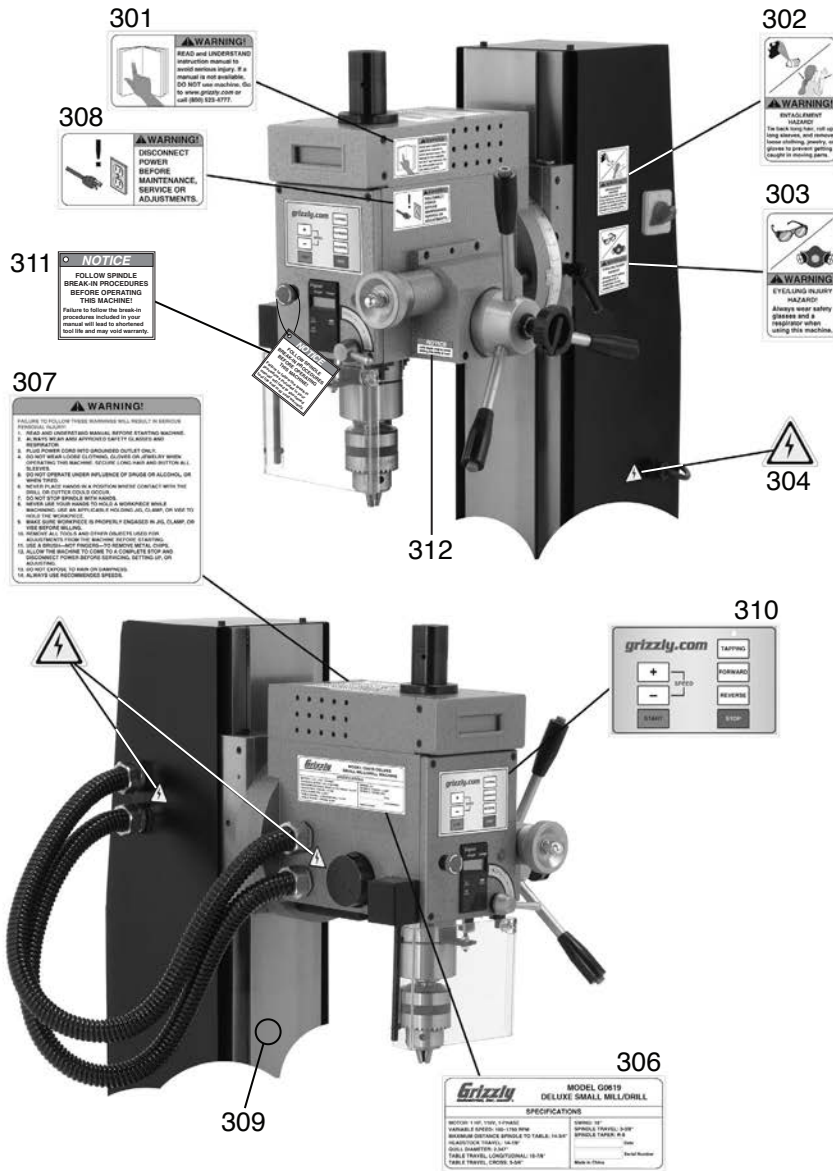
# Column, Table & Inverter Parts List

REF	PART #	DESCRIPTION
200	P0619200	FLAT SPRING
201	P0619201	HEX NUT M6-1
202	P0619202	BALL OILER
203	P0619203	KEY 4 X 4 X 16
204	P0619204	CAP SCREW M5-.8 X 20
205	P0619205	UNIVERSAL LEVER
206	P0619206	T-NUT
207	P0619207	OIL BOTTLE
208	P0619208	EXT RETAINING RING 10MM
209	P0619209	WRENCH SPINDLE SPANNER
210	P0619210	CHUCK KEY
211	P0619211	HEX WRENCH SET 3, 4, 5, 6MM
212	P0619212	EXT RETAINING RING 16MM
213	P0619213	ROLL PIN 3 X 10
214	P0619214	FLAT WASHER 5MM
217	P0619217	CAP SCREW M6-1 X 16
218	P0619218	CAP SCREW M5-.8 X 16
219V2	P0619219V2	FUSE HOUSING ASSY V2.04.07
219-1	P0619219-1	FUSE 20A 31MM
220-1A	P0619220-1A	S CAPACITOR 1000M 250V 1 X 2 V2.04.07
220-2A	P0619220-2A	HARNESS W/PLUGS V2.04.07
220-4A	P0619220-4A	FUSE 20A V2.04.07
220V3	P0619220V3	MOTOR PC BOARD/INVERTER V3.07.18
223	P0619223	POWER CORD
225	P0619225	ROLL PIN 5 X 10
227	P0619227	FLAT WASHER 8MM
228	P0619228	MAIN POWER SWITCH
229	P0619229	COLUMN
230	P0619230	PLATE LEFT
231	P0619231	PLATE RIGHT
232	P0619232	CAP SCREW M5-.8 X 12
233	P0619233	LIMIT SLEEVE
234	P0619234	BEARING SEAT LOWER
235	P0619235	VERTICAL LEADSCREW
236	P0619236	VERTICAL LEAD NUT
237	P0619237	SUPPORT
238	P0619238	UPPER BEARING SEAT
239	P0619239	REAR CABINET
240	P0619240	VENTED COVER
241	P0619241	LARGE COVER
242	P0619242	CAP SCREW M6-1 X 10
243	P0619243	CAP SCREW M5-.8 X 8
244	P0619244	FLAT WASHER 10MM
245	P0619245	CAP SCREW M8-1.25 X 20
246	P0619246	ROLL PIN 8 X 50
247	P0619247	SET SCREW M5-.8 X 8
248	P0619248	PHLP HD SCR M4-.7 X 6
249	P0619249	HEX BOLT M10-1.5 X 50

REF	PART #	DESCRIPTION
250	P0619250	ROLL PIN 4 X 20
251	P0619251	ROLL PIN 4 X 25
252	P0619252	THREADED TAPER PIN M4-.7 X 30
253	P0619253	RULER
255	P0619255	BEARING 8101
256	P0619256	BEARING 60016001ZZ
257	P0619257	ADJUSTABLE FOOT
258	P0619258	BASE
259	P0619259	SADDLE
260	P0619260	WORKTABLE
261	P0619261	SPACER
262	P0619262	X-AXIS LEADSCREW
263	P0619263	Y-AXIS LEADSCREW NUT
264	P0619264	X-AXIS LEADSCREW NUT
265	P0619265	Y-AXIS GIB
266	P0619266	X-AXIS BEARING SEAT - RIGHT
266-1	P0619266-1	X-AXIS BEARING SEAT - LEFT
267	P0619267	GEAR 48T
268	P0619268	SLEEVE
269	P0619269	Z-AXIS SHAFT
270	P0619270	SUPPORT FLANGE
271	P0619271	Y-AXIS LEADSCREW
272	P0619272	X-AXIS GIB
273	P0619273	Y-AXIS BEARING SEAT
274	P0619274	HEX NUT M12-1.75
275V2	P0619275V2	HANDWHEEL 4-3/4" V2.10.08
276	P0619276	HEX NUT M8-1.25
277	P0619277	HANDWHEEL
278	P0619278	POINTER
279V2	P0619279V2	HANDLE SLEEVE V2.10.08
280	P0619280	INLAY RING
281	P0619281	GRADUATED DIAL
282V2	P0619282V2	HANDLE SLEEVE SHLDR SCR V2.10.08
283	P0619283	CAP SCREW M4-.7 X 12
284	P0619284	SET SCREW M6-1 X 25
285	P0619285	HANDWHEEL FLAT WASHER
286	P0619286	ROLL PIN 3 X 20
287	P0619287	PHLP HD SCR M6-1 X 6
288	P0619288	RIVET 2 X 5MM NAMEPLATE, STEEL
289	P0619289	ACORN NUT M8-1.25
292	P0619292	SEALED FLEX CONDUIT (LONG)
293	P0619293	SEALED FLEX CONDUIT (SHORT)
294	P0619294	DRAWBAR HEX WRENCH
295	P0619295	COMBO WRENCH 12/14
296	P0619296	COMBO WRENCH 17/19
297	P0619297	COMBO WRENCH 8/10
298	P0619298	FLAT HD SCR M4-.7 X 6
299	P0619299	CLUTCH HUB



# Labels & Cosmetics



REF	PART #	DESCRIPTION
301	P0619301	READ MANUAL LABEL
302	P0619302	ENTANGLEMENT HAZARD LABEL
303	P0619303	EYE AND FACE HAZARD LABEL
304	P0619304	ELECTRICAL HAZARD LABEL
306	P0619306	MACHINE ID LABEL
307	P0619307	GENERAL WARNING LABEL

REF	PART #	DESCRIPTION
308	P0619308	DISCONNECT POWER
309	P0619309	TOUCH-UP PAINT, GRIZZLY GREEN
310	P0619310	TOUCH PANEL LABEL
311	P0619311	SPINDLE BREAK-IN NOTICE
312	P0619312	DEPTH STOP NOTICE LABEL

## WARNING

Safety labels warn about machine hazards and ways to prevent injury. The owner of this machine **MUST** maintain the original location and readability of the labels on the machine. If any label is removed or becomes unreadable, **REPLACE** that label before using the machine again. Contact Grizzly at (800) 523-4777 or [www.grizzly.com](http://www.grizzly.com) to order new labels.

