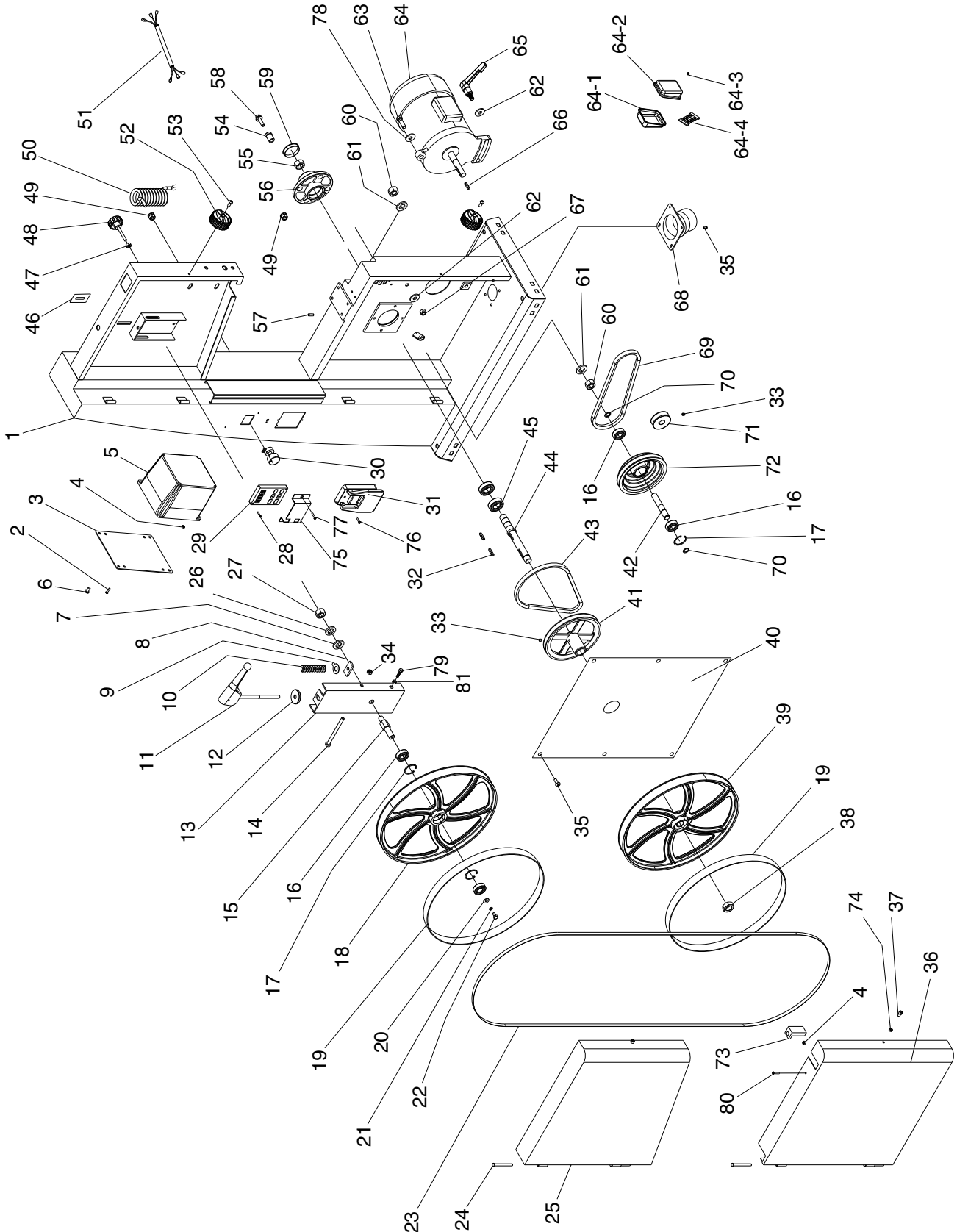


SECTION 9: PARTS

Main Parts Breakdown



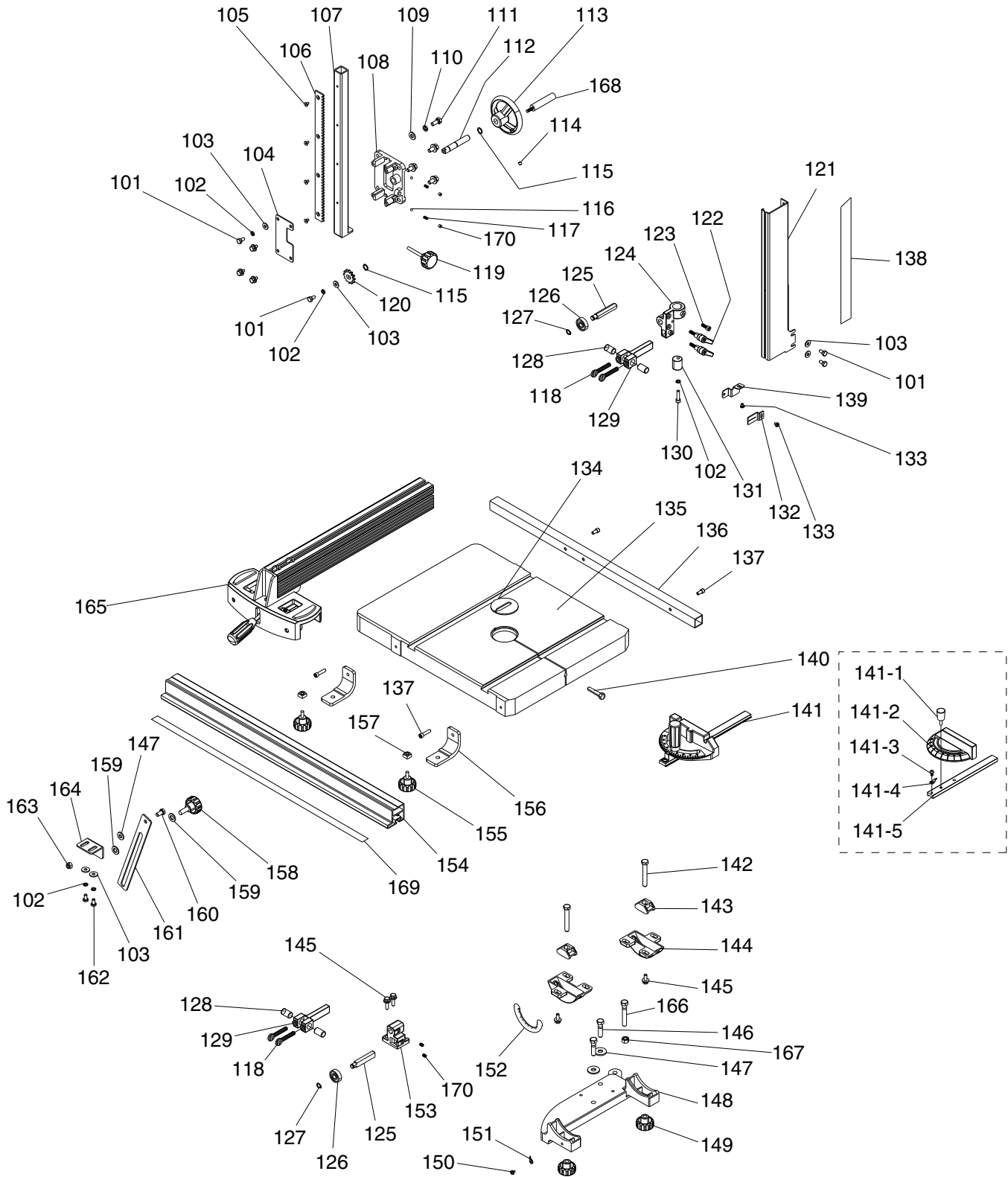
Main Parts List

REF	PART #	DESCRIPTION
1	P0621001	BODY
2	PS08	PHLP HD SCR 10-24 X 3/4
3	P0621003	CONTROLLER COVER PLATE
4	PN07	HEX NUT 10-24
5	P0621005	AC MOTOR CONTROLLER
6	P0621006	PHLP HD SCR 1/4-20 X 1/2
7	PW01	FLAT WASHER 1/2
8	P0621008	TENSION NUT
9	P0621009	BLADE TENSION POINTER
10	P0621010	COMPRESSION SPRING
11	P0621011	BLADE TENSION HANDLE
12	P0621012	SPECIAL WASHER
13	P0621013	UPPER WHEEL BRACKET
14	P0621014	HEX BOLT M8-1.25 x 110
15	P0621015	UPPER WHEEL SHAFT
16	P6202	BALL BEARING 6202ZZ
17	PR21M	INT RETAINING RING 35MM
18	P0621018	UPPER WHEEL
19	P0621019	TIRE
20	PW06	FLAT WASHER 1/4
21	PLW02	LOCK WASHER 1/4
22	PB51	HEX BOLT 1/4-20 X 3/8
23	P0621023	BLADE 0.65"T X 3/8"W X 108"
24	P0621024	HINGE PIN
25	P0621025	UPPER WHEEL COVER
26	PLW07	LOCK WASHER 1/2
27	PN01	HEX NUT 1/2-20
28	P0621028	PHLP HD SCR M3-.5 X 18
29	P0621029	MANIPULATOR
30	P0621030	SPEED DIAL
31	P0621031	SWITCH W/LARGE STOP
32	PK23M	KEY 5 X 5 X 25
33	PSS03	SET SCREW 1/4-20 X 3/8
34	PN03M	HEX NUT M8-1.25
35	PS01	PHLP HD SCR 10-24 x 1/2
36	P0621036	LOWER WHEEL COVER
37	PSB05	CAP SCREW 1/4-20 X 3/4
38	PN03-1	HEX NUT 3/4-16 (LH)
39	P0621039	LOWER WHEEL
40	P0621040	PULLEY COVER PLATE
41	P0621041	PULLEY
42	P0621042	SHAFT
43	PVA30	V-BELT A-30 4L300

REF	PART #	DESCRIPTION
44	P0621044	SHAFT
45	P6004	BALL BEARING 6004ZZ
46	P0621046	BLADE TENSION SCALE
47	PN02	HEX NUT 5/16-18
48	P0621048	KNOB 5/16-18 X 2
49	P0621049	STRAIN RELIEF
50	P0621050	POWER CORD
51	P0621051	MOTOR CORD
52	P0621052	KNOB
53	PSB05	CAP SCREW 1/4-20 X 3/4
54	P0621054	ADJUSTMENT SLEEVE
55	PN03	HEX NUT 3/4-16
56	P0621056	BEARING HOUSING
57	P0621057	PIN 6MM
58	P0621058	FLANGE BOLT 5/16-18 X 1-1/2
59	P0621059	COVER
60	PN04	HEX NUT 5/8-11
61	PW14	FLAT WASHER 5/8
62	PW02	FLAT WASHER 3/8
63	PB35	HEX BOLT 3/8-16 X 2-1/2
64	P0621064	MOTOR 1.25HP, 220V, 3-PHASE
64-1	P0621064-1	JUNCTION BOX REAR COVER
64-2	P0621064-2	JUNCTION BOX FRONT COVER
64-3	PS18	PHLP HD SCR 10-24 X 1/4
64-4	P0621064-4	3-CIRCUIT TERMINAL BLOCK
65	P0621065	ADJ HANDLE 3/8-16 X 1
66	PK12M	KEY 5 X 5 X 30
67	P0621067	HEX NUT 3/8-16
68	P0621068	DUST PORT 2.5"
69	PVA28	V-BELT A-28 4L280
70	PR05M	EXT RETAINING RING 15MM
71	P0621071	MOTOR PULLEY
72	P0621072	PULLEY
73	PF1005041	BRUSH
74	PN05	HEX NUT 1/4-20
75	P0621075	SWITCH COVER
76	PS01M	PHLP HD SCR M4-.7 x 18
77	PS17M	PHLP HD SCR M4-.7 X 6
78	PW02	FLAT WASHER 3/8
79	PB05	HEX BOLT 1/4-20 X 3/4
80	PS18	PHLP HD SCR 10-24 X 1/4
81	PN05	HEX NUT 1/4-20



Table/Blade Guides Parts Breakdown



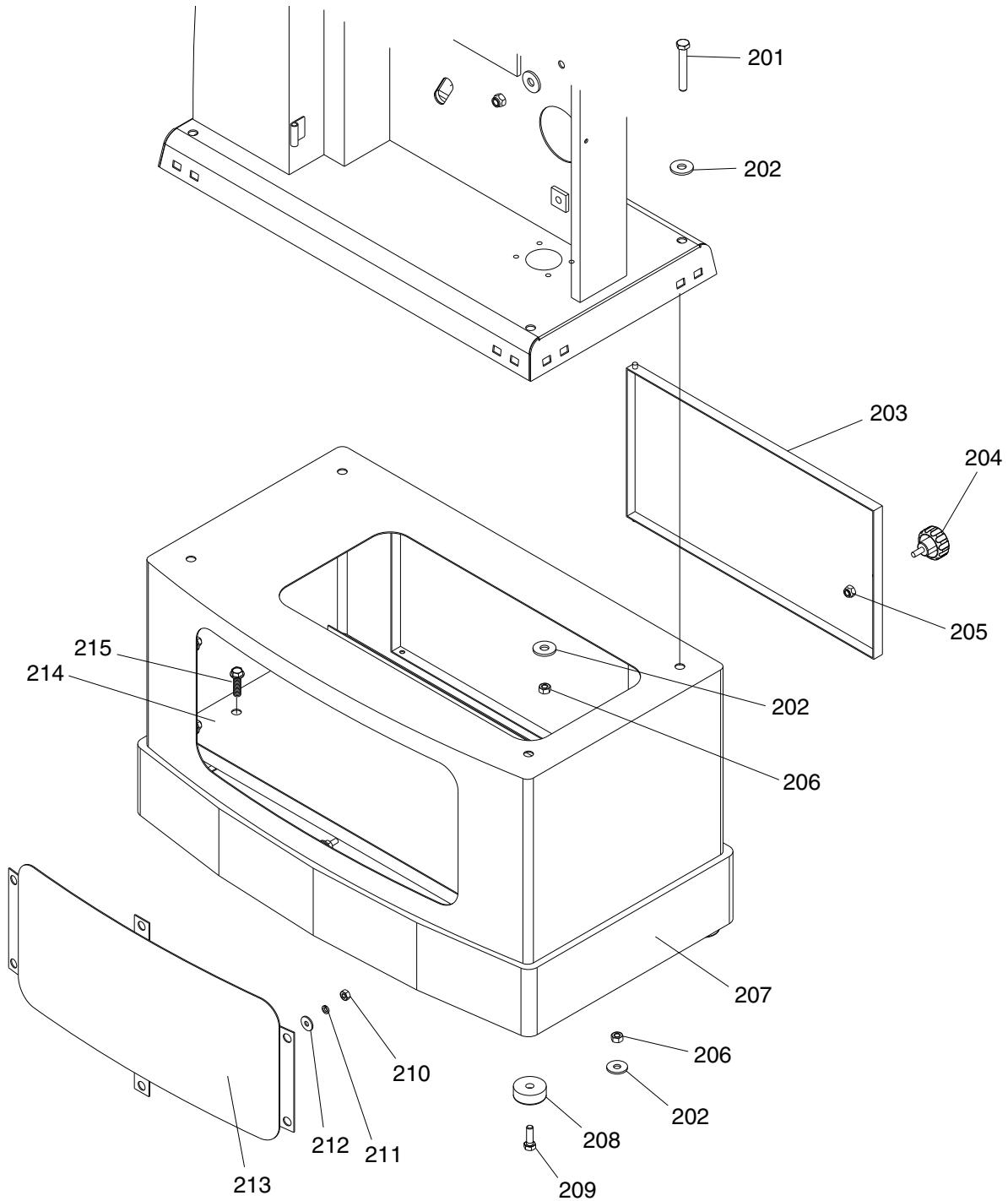
Secondary Parts Breakdown

REF	PART #	DESCRIPTION
101	PB51	HEX BOLT 1/4-20 X 3/8
102	PLW02	LOCK WASHER 1/4
103	PW06	FLAT WASHER 1/4
104	P0621104	GUIDE BAR COVER
105	P0621105	FLAT HD CAP SCR M5-.8 X 8
106	P0621106	RACK
107	P0621107	GUIDE BAR
108	P0621108	BRACKET
109	PW07	FLAT WASHER 5/16
110	PLW01	LOCK WASHER 5/16
111	PB32	HEX BOLT 5/16-18 X 5/8
112	P0621112	PINION SHAFT
113	P0621113	HANDWHEEL
114	PSS02	SET SCREW 5/16-18 X 3/8
115	PR47M	EXT RETAINING RING 13MM
116	P0621116	BALL
117	P0621117	COMPRESSION SPRING
118	P0621118	THUMB SCREW 1/4-20 X 1/2
119	P0621119	KNOB 5/16-18 X 2
120	P0621120	PINION GEAR
121	P0621121	BLADE GUARD
122	P0621122	THUMB SCREW 1/4-20 X 3/4
123	PSB05	CAP SCREW 1/4-20 X 3/4
124	P0621124	UPPER GUIDE BRACKET
125	P0621125	SUPPORT BEARING SHAFT
126	P6200	BALL BEARING 6200ZZ
127	PR01M	EXT RETAINING RING 10MM
128	P0621128	BLADE GUIDE BLOCK
129	P0621129	BLADE GUIDE HOLDER
130	P0621130	CAP SCREW 1/4-20 X 7/8
131	P0621131	ECCENTRIC GUIDE POST
132	P0621132	GUIDE POST POINTER
133	PS01	PHLP HD SCR 10-24 X 1/2
134	P0621134	TABLE INSERT
135	P0621135	TABLE
136	P0621136	REAR FENCE RAIL
137	PSB06	CAP SCREW 1/4-20 X 1
138	P0621138	GUIDE POST SCALE

REF	PART #	DESCRIPTION
139	P0621139	POINTER PLATE
140	P0621140	TABLE PIN
141	P0621141	MITER GAUGE ASSY
141-1	P0621141-1	MITER GAUGE HANDLE 5/16"
141-2	P0621141-2	MITER GAUGE BODY
141-3	PS18	PHLP HD SCR 10-24 X 1/4
141-4	P0621141-4	MITER GAUGE POINTER
141-5	P0621141-5	MITER GAUGE BAR
142	PB35	HEX BOLT 3/8-16 X 2-1/2
143	P0621143	CLAMP SHOE
144	P0621144	TRUNNION
145	PFB15	FLANGE BOLT 1/4-20 X 3/4
146	PB12	HEX BOLT 5/16-18 X 1-1/4
147	PW07	FLAT WASHER 5/16
148	P0621148	TRUNNION BASE
149	P0621149	KNOB 3/8-16
150	PS18	PHLP HD SCR 10-24 X 1/4
151	P0621151	TABLE TILT POINTER
152	P0621152	TABLE TILT SCALE
153	P0621153	LOWER GUIDE BRACKET
154	P0621154	FRONT FENCE RAIL
155	P0621155	KNOB 5/16-18 X 5/8
156	P0621156	RAIL BRACKET
157	P0621157	SQUARE NUT
158	P0621158	KNOB 3/8-16 X 1
159	PW02	FLAT WASHER 3/8
160	PB03	HEX BOLT 5/16-18 X 1
161	P0621161	ANGLE ADJUSTMENT BAR
162	PB19	HEX BOLT 1/4-20 X 1/2
163	PLN03	LOCK NUT 5/16-18
164	P0621164	ADJUSTMENT BAR BRACKET
165	P0621165	COMPLETE FENCE ASSY
166	PB16	HEX BOLT 3/8-16 X 1-1/2
167	PN08	HEX NUT 3/8-16
168	P0621168	HANDWHEEL HANDLE
169	P0621169	FENCE SCALE
170	PSS03	SET SCREW 1/4-20 X 3/8



Stand Parts Breakdown

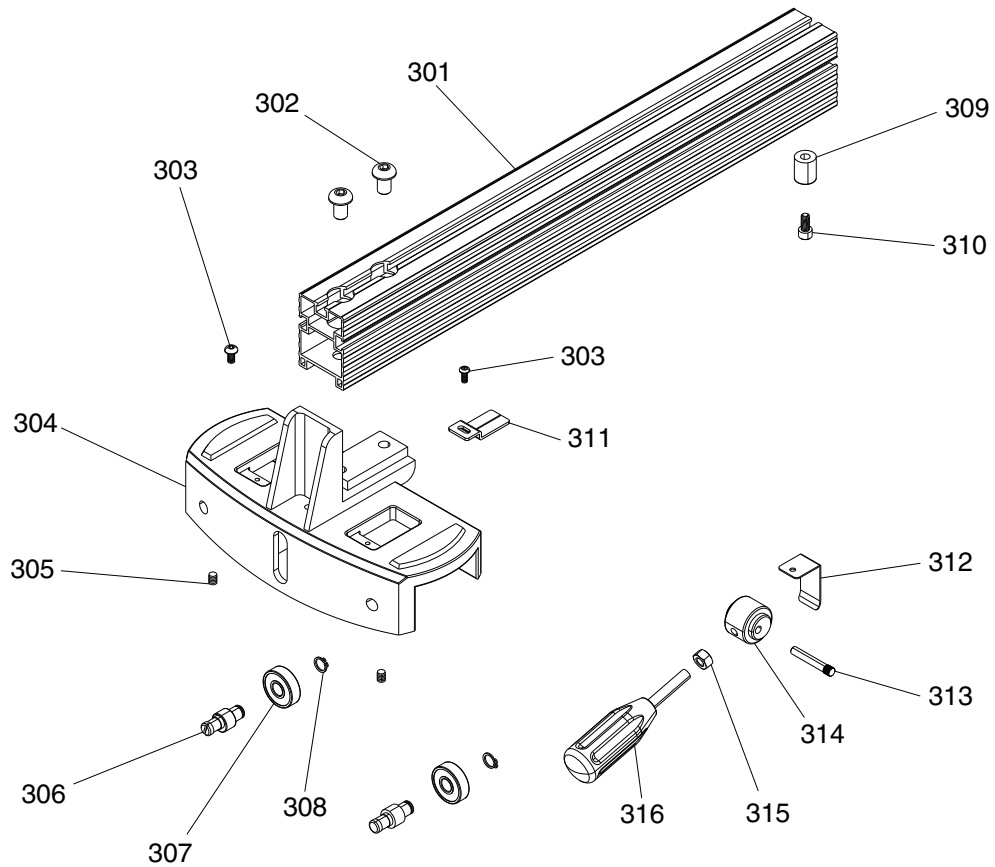


REF	PART #	DESCRIPTION
201	PB04	HEX BOLT 5/16-18 X 3
202	PW07	FLAT WASHER 5/16
203	P0621203	STAND GUARD
204	P0621204	KNOB 5/16-18 X 3/4
205	PLN03	LOCK NUT 5/16-18
206	PN02	HEX NUT 5/16-18
207	P0621207	STAND
208	P0621208	FOOT

REF	PART #	DESCRIPTION
209	PB03	HEX BOLT 5/16-18 X 1
210	PN05	HEX NUT 1/4-20
211	PLW02	LOCK WASHER 1/4
212	PW06	FLAT WASHER 1/4
213	P0621213	STAND INSET PLATE
214	P0621214	CABINET BOTTOM PLATE
215	PFB15	FLANGE BOLT 1/4-20 X 3/4



Fence Parts Breakdown

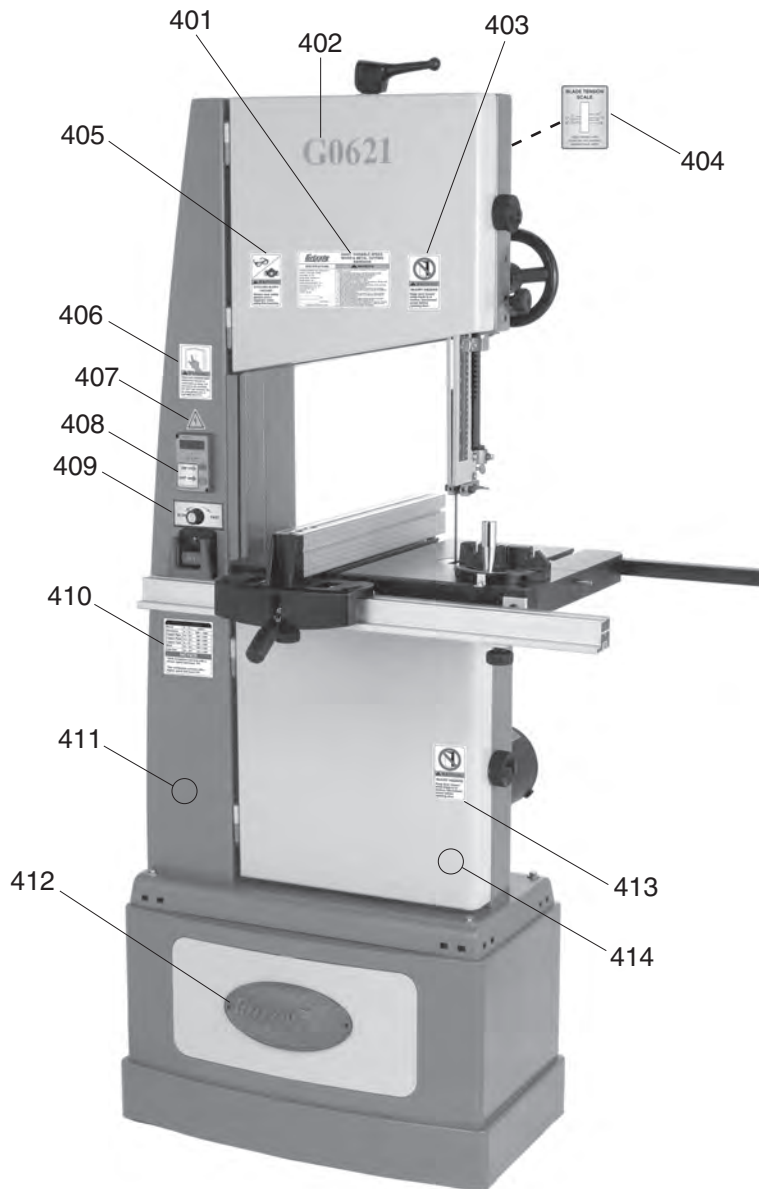


REF	PART #	DESCRIPTION
300	P0621300	COMPLETE FENCE ASSY
301	P0621301	FENCE BODY
302	P0621302	BUTTON HD CAP SCR M10-1.5 X 16
303	PS09M	PHLP HD SCR M5-.8 X 10
304	P0621304	FENCE BASE
305	PSS03	SET SCREW 1/4-20 X 3/8
306	P0621306	ECCENTRIC SHAFT
307	P6200	BALL BEARING 6200ZZ
308	PR45M	INT RETAINING RING 10MM

REF	PART #	DESCRIPTION
309	P0621309	RUNNER
310	PSB01M	CAP SCREW M6-1 X 16
311	P0621311	FENCE POINTER
312	P0621312	PLATE
313	P0621313	PIN
314	P0621314	LOCK MECHANISM
315	PN03M	HEX NUT M8-1.25
316	P0621316	FENCE HANDLE M8-1.25



Safety Labels Parts Breakdown



REF	PART #	DESCRIPTION
401	P0621401	MACHINE ID LABEL
402	P0621402	G0621 MODEL # LABEL
403	P0621403	DOOR CLOSED LABEL
404	P0621404	BLADE TENSION LABEL
405	P0621405	GLASSES/RESPIRATOR LABEL
406	PLABEL-12A	READ MANUAL LABEL
407	PLABEL-14	ELECTRICITY LABEL

REF	PART #	DESCRIPTION
408	P0621408	MOTOR SWITCH ON/OFF LABEL
409	P0621409	SPEED DIAL LABEL
410	P0621410	CUTTING CHART LABEL
411	PPAINT-1	"GRIZZLY GREEN" TOUCH-UP PAINT
412	P0621412	GRIZZLY LOGO PLATE
413	P0621403	DOOR CLOSED LABEL
414	PPAINT-14	"PUTTY" TOUCH-UP PAINT

WARNING

Safety labels warn about machine hazards and ways to prevent injury. The owner of this machine **MUST** maintain the original location and readability of the labels on the machine. If any label is removed or becomes unreadable, **REPLACE** that label before using the machine again. Contact Grizzly at (800) 523-4777 or www.grizzly.com to order new labels.

