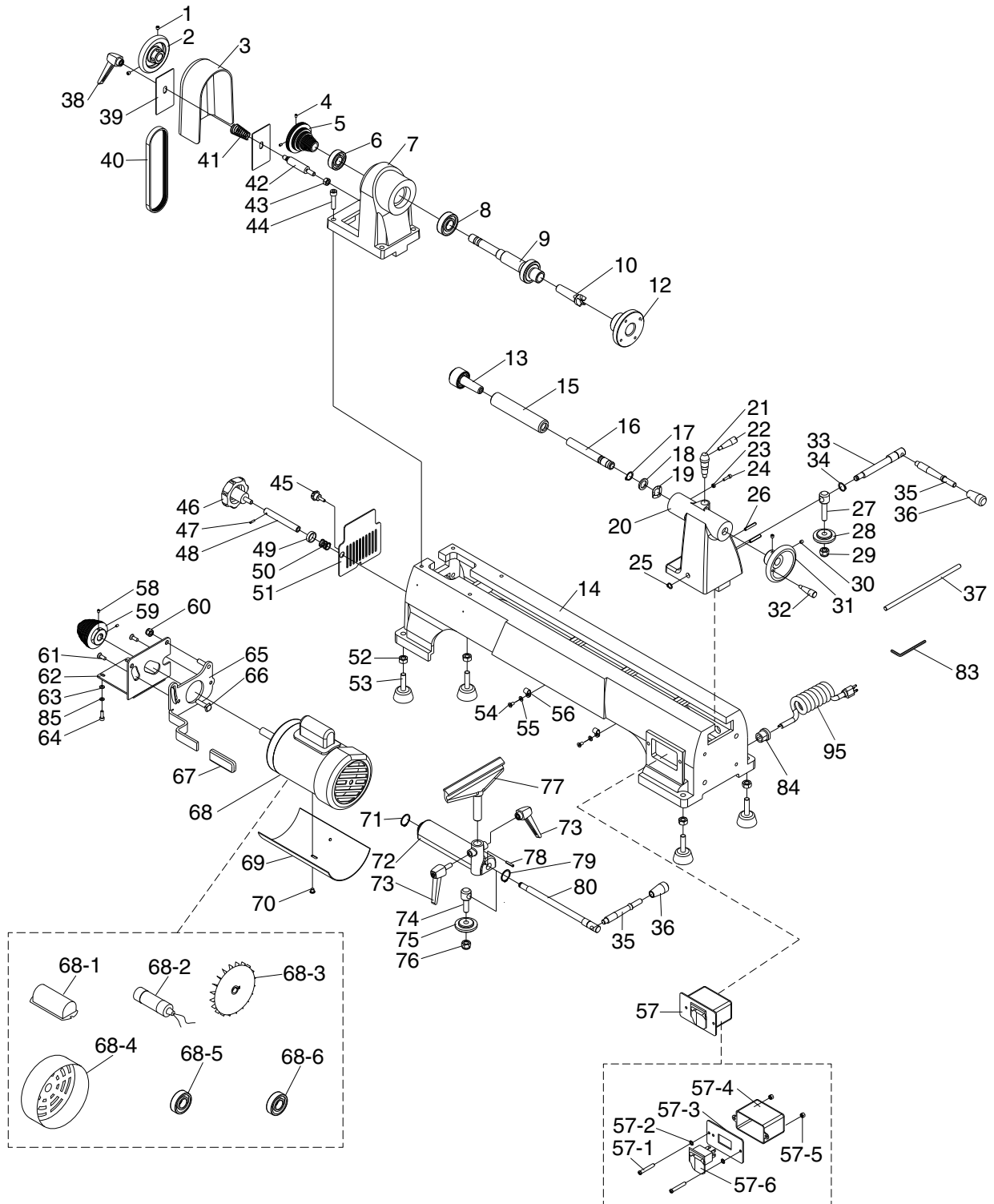


Parts Breakdown



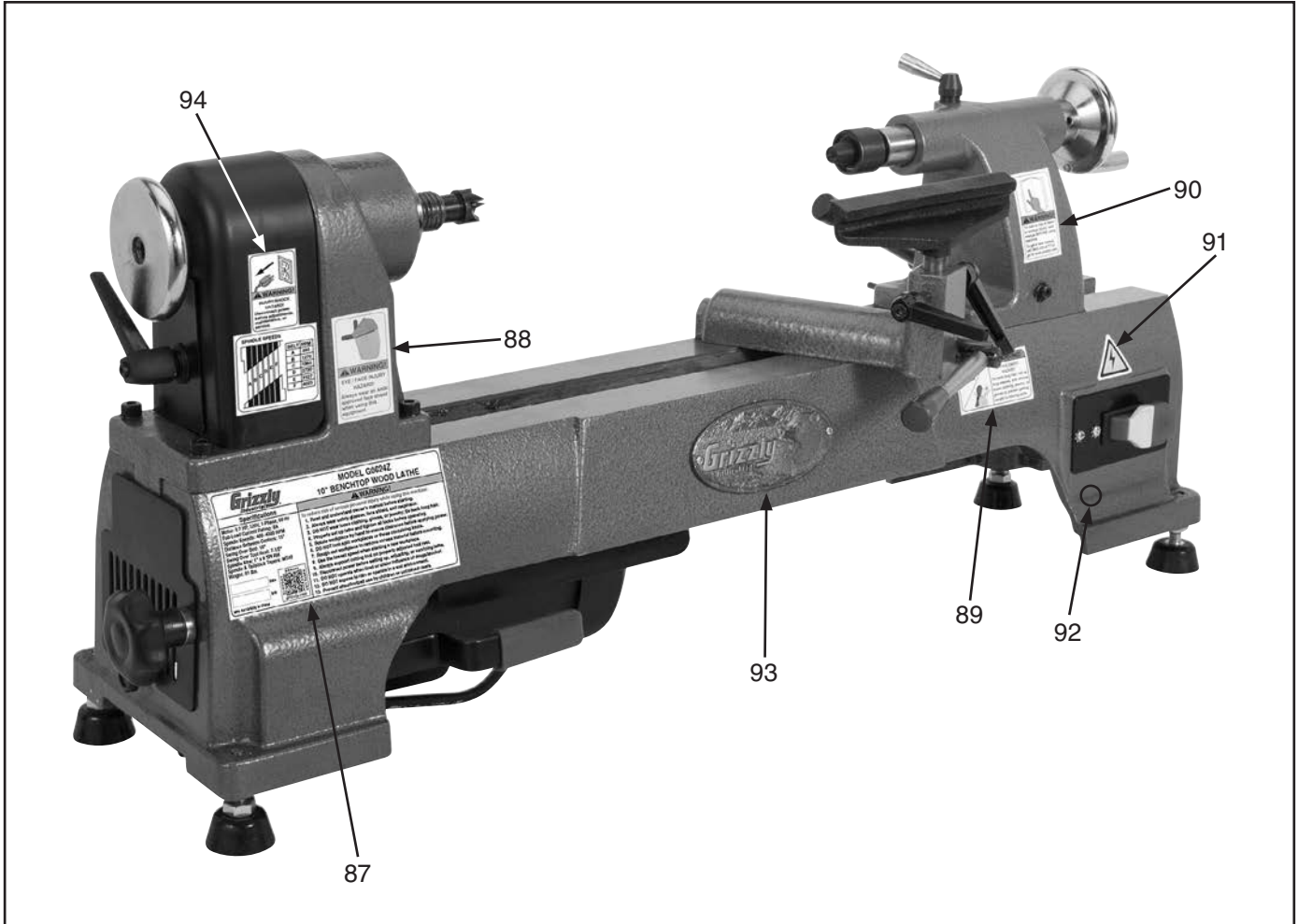
Parts List

REF	PART #	DESCRIPTION
1	P0624Z001	SET SCREW M6-1 X 6
2	P0624Z002	HEADSTOCK HANDWHEEL 83D X 8B-S
3	P0624Z003	PULLEY SAFETY COVER
4	P0624Z004	SET SCREW M4-.7 X 6
5	P0624Z005	SPINDLE PULLEY
6	P0624Z006	BALL BEARING 6004ZZ
7	P0624Z007	HEADSTOCK CASTING
8	P0624Z008	BALL BEARING 6005ZZ
9	P0624Z009	SPINDLE
10	P0624Z010	SPUR CENTER MT#2
12	P0624Z012	FACEPLATE 3"
13	P0624Z013	LIVE CENTER MT#2
14	P0624Z014	BEDWAY
15	P0624Z015	TAILSTOCK QUILL
16	P0624Z016	TAILSTOCK LEADSCREW
17	P0624Z017	EXT RETAINING RING 15MM
18	P0624Z018	FLAT WASHER 15MM
19	P0624Z019	RUBBER COLLAR
20	P0624Z020	TAILSTOCK CASTING
21	P0624Z021	ECCENTRIC SHAFT
22	P0624Z022	QUILL LOCK HANDLE M6-1 X 13 X 43
23	P0624Z023	HEX NUT M4-.7
24	P0624Z024	CAP SCREW M4-.7 X 16
25	P0624Z025	EXT RETAINING RING 10MM
26	P0624Z026	ROLL PIN 5 X 30
27	P0624Z027	TAILSTOCK CLAMP BOLT M10-1.5 X 65
28	P0624Z028	TAILSTOCK LOCK PLATE
29	P0624Z029	LOCK NUT M10-1.5
30	P0624Z030	SET SCREW M6-1 X 6
31	P0624Z031	HANDWHEEL TYPE-28 80D X 16B-S X M6-1
32	P0624Z032	HANDLE M6-1 X 60
33	P0624Z033	TAILSTOCK ECCENTRIC SHAFT
34	P0624Z034	EXT RETAINING RING 16MM
35	P0624Z035	TAILSTOCK RELEASE LEVER 110 X 13
36	P0624Z036	LEVER KNOB 3/8-16 X 13/16 X 1-5/8
37	P0624Z037	KNOCKOUT BAR
38	P0624Z038	LOCK HANDLE M8-1.25 X 10 X 58
39	P0624Z039	GUARD PLATE
40	P0624Z040	V-BELT 3V X 600L RIBBED
41	P0624Z041	COMPRESSION SPRING 0.8 X 36L X 24OD
42	P0624Z042	THREADED SHAFT M8-1.25 X 16 X 87
43	P0624Z043	HEX NUT M8-1.25
44	P0624Z044	CAP SCREW M8-1.25 X 35
45	P0624Z045	THUMB SCREW M5-.8 X 15
46	P0624Z046	BELT TENSION LOCK KNOB
47	P0624Z047	ROLL PIN 3 X 12
48	P0624Z048	BELT TENSION LOCK SHAFT 12 X 93
49	P0624Z049	SPACER 18MM
50	P0624Z050	COMPRESSION SPRING 1.5 X 15L X 16OD
51	P0624Z051	MOTOR PULLEY ACCESS PLATE
52	P0624Z052	HEX NUT 3/8-16
53	P0624Z053	RUBBER FOOT 3/8-16 X 1-1/2

REF	PART #	DESCRIPTION
54	P0624Z054	PHLP HD SCR M5-.8 X 10
55	P0624Z055	FLAT WASHER 5MM
56	P0624Z056	WIRE CLAMP
57	P0624Z057	SWITCH ASSEMBLY
57-1	P0624Z057-1	PHLP HD SCR 10-24 X 1-1/2
57-2	P0624Z057-2	EXT TOOTH WASHER 5MM
57-3	P0624Z057-3	SWITCH PLATE
57-4	P0624Z057-4	SWITCH BOX
57-5	P0624Z057-5	HEX NUT 10-24
57-6	P0624Z057-6	SAFETY PADDLE SWITCH
58	P0624Z058	SET SCREW M6-1 X 6
59	P0624Z059	MOTOR PULLEY
60	P0624Z060	LOCK NUT M8-1.25
61	P0624Z061	PHLP HD SCR M6-1 X 16
62	P0624Z062	MOTOR PLATE
63	P0624Z063	FLAT WASHER 5MM
64	P0624Z064	CAP SCREW M5-.8 X 15
65	P0624Z065	BELT TENSION BRACKET
66	P0624Z066	SQUARE HEAD BOLT
67	P0624Z067	RUBBER SLEEVE
68	P0624Z068	MOTOR 0.7HP 120V 1-PH
68-1	P0624Z068-1	CAPACITOR COVER
68-2	P0624Z068-2	R CAPACITOR 40M 250V 1.5" X 2.75"
68-3	P0624Z068-3	MOTOR FAN
68-4	P0624Z068-4	MOTOR FAN COVER
68-5	P0624Z068-5	BALL BEARING 6202ZZ (FRONT)
68-6	P0624Z068-6	BALL BEARING 6200ZZ (REAR)
69	P0624Z069	DUST GUARD
70	P0624Z070	LOCK SCREW 10-24 X 6
71	P0624Z071	EXT RETAINING RING 10MM
72	P0624Z072	TOOL POST BASE
73	P0624Z073	TOOL REST LOCK HANDLE M8-1.25 X 20 X 62
74	P0624Z074	TOOL REST CLAMP BOLT M10-1.5 X 51
75	P0624Z075	TOOL REST LOCK PLATE
76	P0624Z076	LOCK NUT M10-1.5
77	P0624Z077	TOOL REST
78	P0624Z078	ROLL PIN 4 X 20
79	P0624Z079	EXT RETAINING RING 14MM
80	P0624Z080	TOOL POST ECCENTRIC SHAFT
83	P0624Z083	HEX WRENCH 2.5MM
84	P0624Z084	STRAIN RELIEF 5/16" TYPE-1
85	P0624Z063-1	LOCK WASHER 5MM
87	P0624Z087	MACHINE ID LABEL
88	P0624Z088	FACE SHIELD LABEL
89	P0624Z089	ENTANGLEMENT HAZARD LABEL
90	P0624Z090	READ MANUAL LABEL
91	P0624Z091	ELECTRICITY LABEL
92	P0624Z092	TOUCH-UP PAINT, GRIZZLY GREEN
93	P0624Z093	GRIZZLY NAMEPLATE
94	P0624Z094	DISCONNECT POWER/SPINDLE SPD. LABEL
95	P0624Z095	POWER CORD 18G 3W 72" 5-15P



Labels & Cosmetics



REF PART #	DESCRIPTION
87	P0624Z087 MACHINE ID LABEL
88	P0624Z088 FACE SHIELD LABEL
89	P0624Z089 ENTANGLEMENT HAZARD LABEL
90	P0624Z090 READ MANUAL LABEL

REF PART #	DESCRIPTION
91	P0624Z091 ELECTRICITY LABEL
92	P0624Z092 TOUCH-UP PAINT, GRIZZLY GREEN
93	P0624Z093 GRIZZLY NAMEPLATE
94	P0624Z094 DISCONNECT POWER/SPINDLE SPD. LABEL

WARNING

Safety labels help reduce the risk of serious injury caused by machine hazards. If any label comes off or becomes unreadable, the owner of this machine **MUST** replace it in the original location before resuming operations. For replacements, contact (800) 523-4777 or www.grizzly.com.

