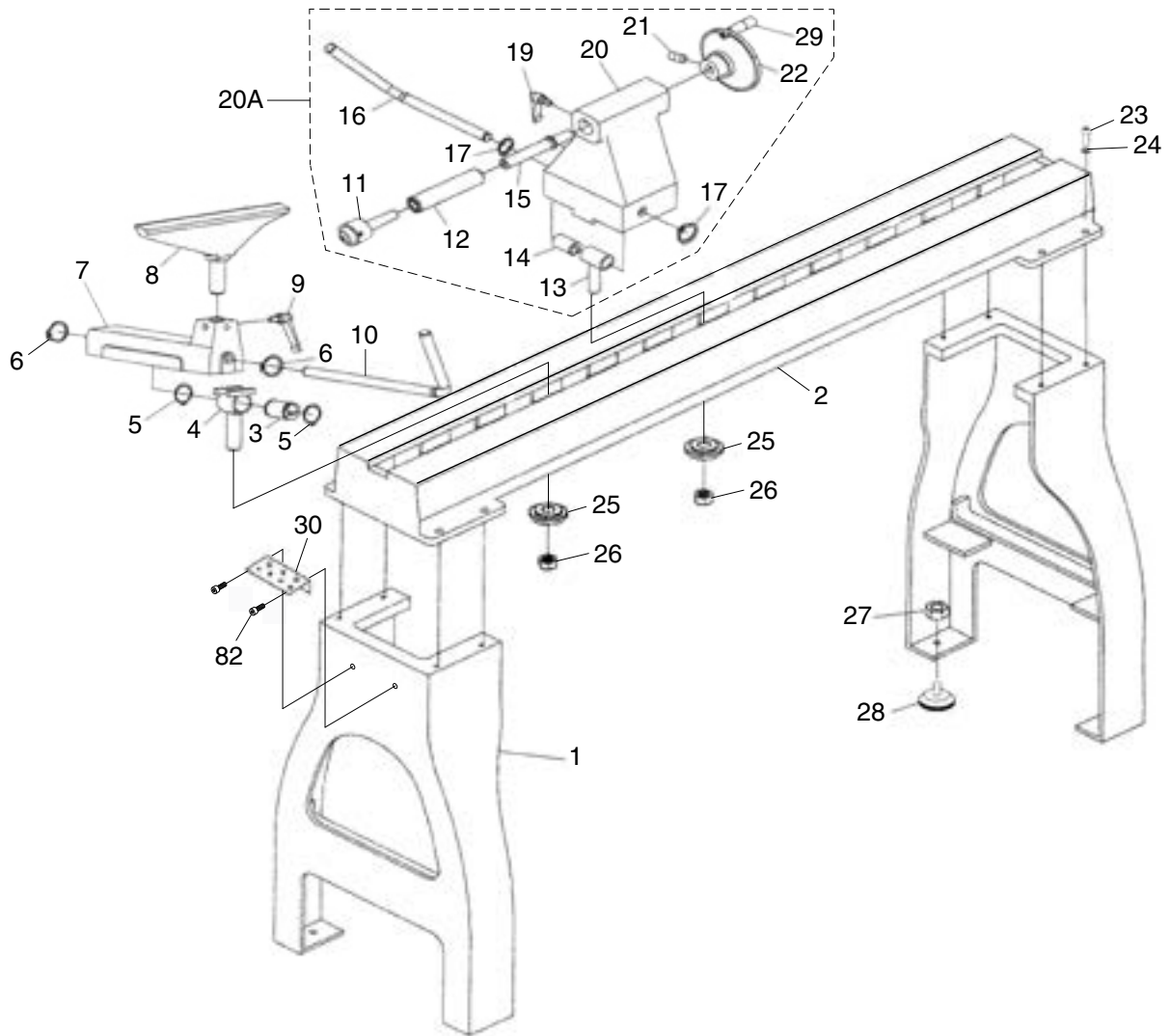


Stand



REF PART # DESCRIPTION

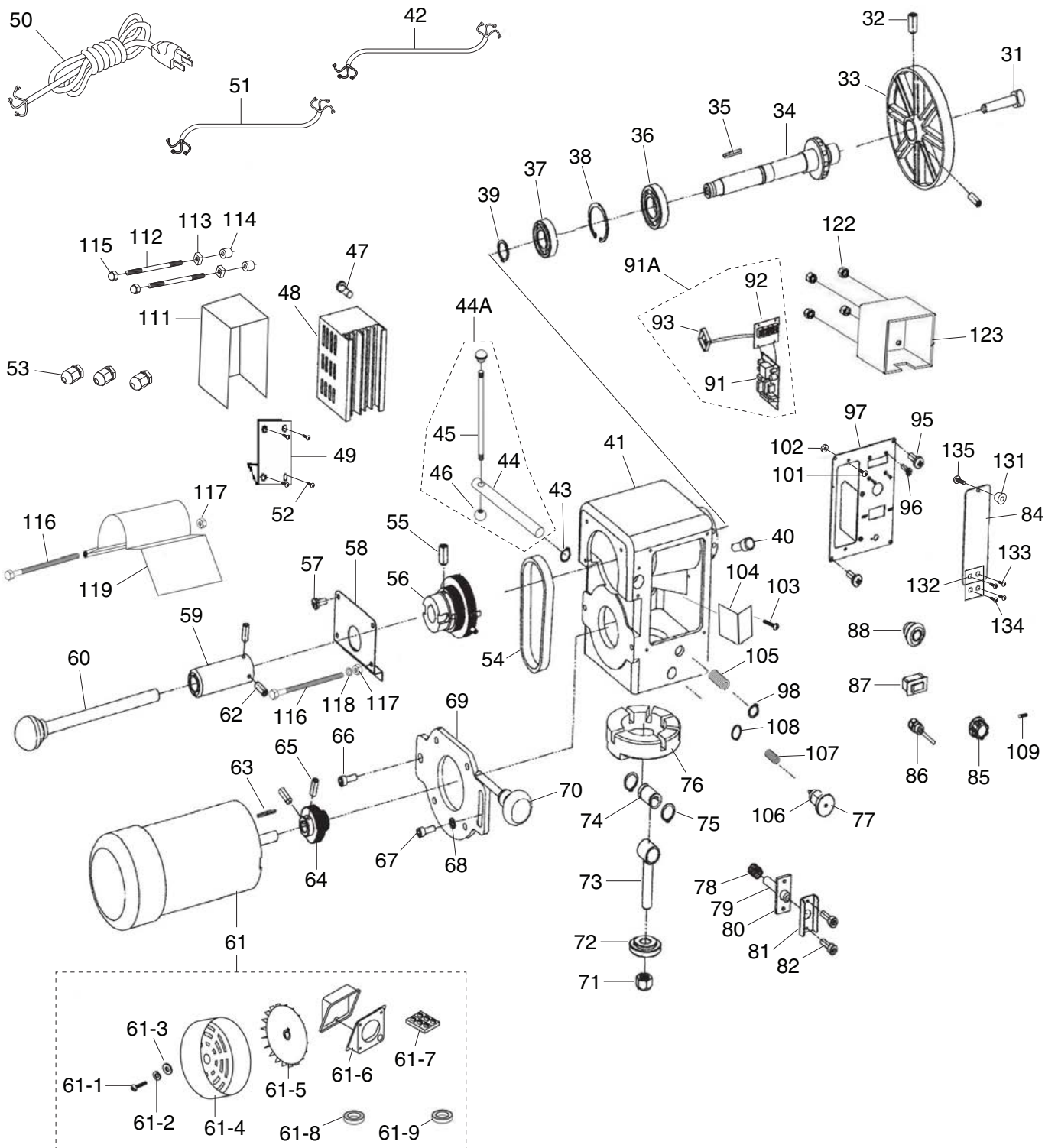
1	P0632Z001	SUPPORT LEG
2	P0632Z002	BED
3	P0632Z003	BUSHING
4	P0632Z004	TOOL REST BASE LOCK BRACKET
5	P0632Z005	EXT RETAINING RING 25MM
6	P0632Z006	EXT RETAINING RING 18MM
7	P0632Z007	TOOL REST BASE
8	P0632Z008	TOOL REST
9	P0632Z009	ADJUSTABLE HANDLE 78L, M10-1.5 X 25
10	P0632Z010	TOOL REST BASE LOCK LEVER
11	P0632Z011	LIVE CENTER
12	P0632Z012	TAILSTOCK QUILL
13	P0632Z013	TAILSTOCK LOCK BRACKET
14	P0632Z014	BUSHING
15	P0632Z015	LEADSCREW
16	P0632Z016	TAILSTOCK LOCK LEVER

REF PART # DESCRIPTION

17	P0632Z017	EXT RETAINING RING 18MM
19	P0632Z019	ADJUSTABLE HANDLE 78L, M5-.8 X 20
20	P0632Z020	TAILSTOCK
20A	P0632Z020A	COMPLETE TAILSTOCK ASSY
21	P0632Z021	SET SCREW M6-1 X 12
22	P0632Z022	HANDWHEEL 132D X 18B-S X M8-1.25
23	P0632Z023	CAP SCREW M10-1.5 X 25
24	P0632Z024	LOCK WASHER 10MM
25	P0632Z025	CLAMP
26	P0632Z026	HEX NUT M18-2.5
27	P0632Z027	HEX NUT M10-1.5
28	P0632Z028	MACHINE FOOT M10-1.5 X 60
29	P0632Z029	HANDWHEEL HANDLE 9 X 20, M8-1.25 X 10
30	P0632Z030	TOOL HOLDER
82	P0632Z082	CAP SCREW M5-.8 X 16



Headstock

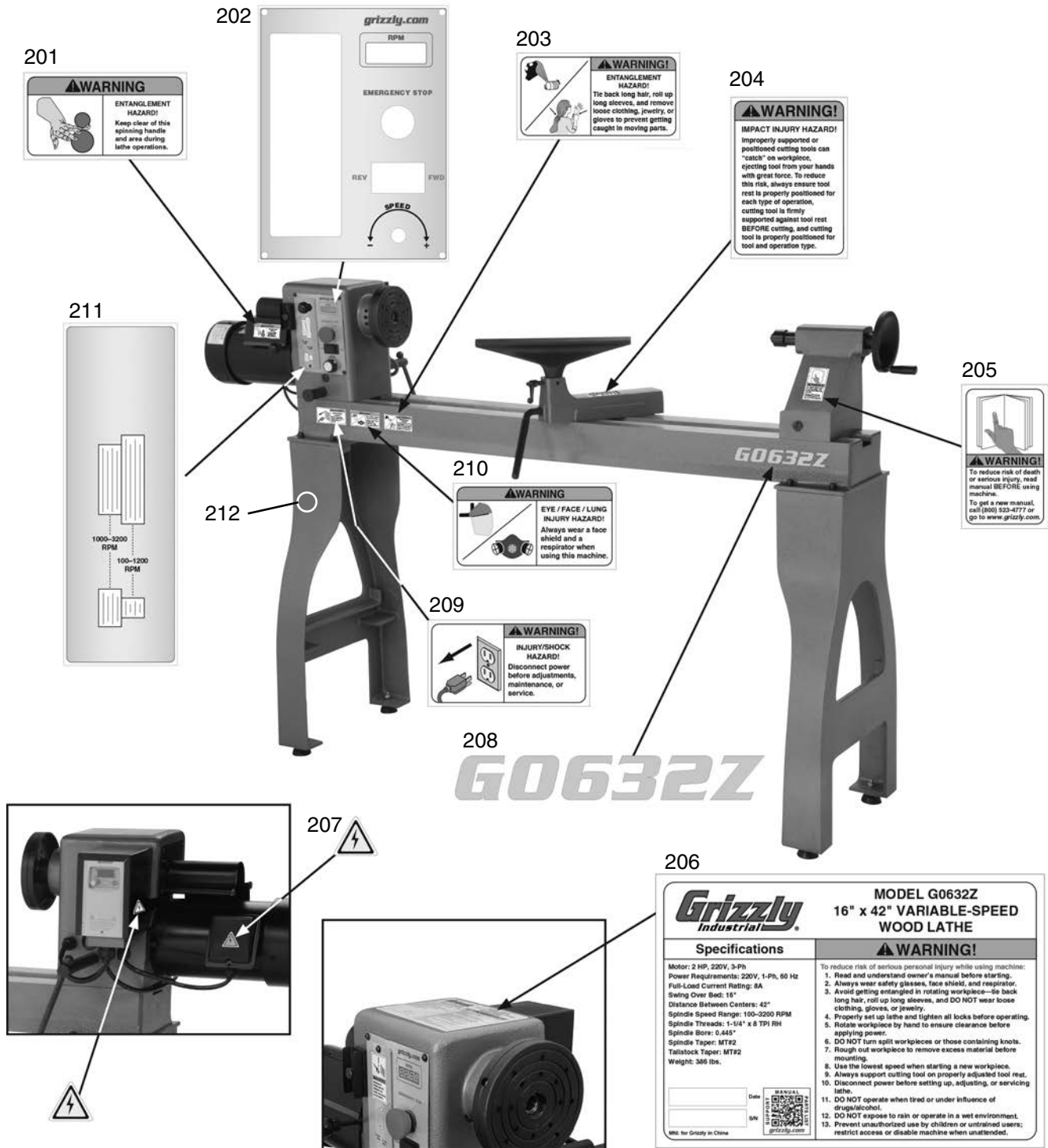


Headstock Parts

REF PART #	DESCRIPTION	REF PART #	DESCRIPTION		
31	P0632Z031	SPUR CENTER	71	P0632Z071	HEX NUT M18-2.5
32	P0632Z032	SET SCREW M6-1 X 16	72	P0632Z072	CLAMP BLOCK
33	P0632Z033	FACEPLATE	73	P0632Z073	HEADSTOCK LOCK BRACKET
34	P0632Z034	SPINDLE	74	P0632Z074	BUSHING
35	P0632Z035	KEY 5 X 5 X 30 RE	75	P0632Z075	EXT RETAINING RING 26MM
36	P0632Z036	BALL BEARING 6207-2RS	76	P0632Z076	ROTATION BRACKET
37	P0632Z037	BALL BEARING 6206ZZ	77	P0632Z077	ROTATION LOCK PIN
38	P0632Z038	INT RETAINING RING 62MM	78	P0632Z078	COMPRESSION SPRING 1.5 X 20 X 24
39	P0632Z039	EXT RETAINING RING 30MM	79	P0632Z079	SPINDLE LOCK PIN
40	P0632Z040	INDEX PIN	80	P0632Z080	PLATE
41	P0632Z041	HEADSTOCK	81	P0632Z081	BRACKET
42	P0632Z042	HEADSTOCK POWER CORD 4W 16G 12"	82	P0632Z082	CAP SCREW M5-.8 X 16
43	P0632Z043	EXT RETAINING RING 18MM	84	P0632Z084	FRONT BELT ACCESS PANEL
44	P0632Z044	STRAIGHT LOCK HANDLE ROD	85	P0632Z085	VARIABLE-SPEED KNOB W/SET SCREW
44A	P0632Z044A	HEADSTOCK LOCK HANDLE ASSY	86	P0632Z086	POTENTIOMETER B103J
45	P0632Z045	SHOULDER STUD DE M10-1.5 X 8, 12 X 170	87	P0632Z087	FWD/REV SWITCH KEDU HY60B
46	P0632Z046	BALL KNOB M10-1.5 D20 L18 STEEL	88	P0632Z088	E-STOP BUTTON KEDU HY57B
47	P0632Z047	CAP SCREW M5-.8 X 12	91A	P0632Z091A	RPM READOUT ASSEMBLY
48	P0632Z048	INVERTER SAJ ATV-13-2S1R5GH	91	P0632Z091	RPM READOUT CIRCUIT BOARD DKLD CB07A
49	P0632Z049	INVERTER FRONT COVER	92	P0632Z092	RPM READOUT LED DKLD CB078
50	P0632Z050	POWER CORD 3W 16G 72"	93	P0632Z093	SPINDLE RPM SENSOR
51	P0632Z051	MOTOR POWER CORD 4W 16G 12"	95	P0632Z095	PHLP HD SCR M3-.5 X 12
52	P0632Z052	PHLP HD SCR M6-1 X 16	96	P0632Z096	FLAT HD SCR M3-.5 X 20
53	P0632Z053	STRAIN RELIEF TYPE-3 M20-1.5	97	P0632Z097	CONTROL PLATE
54	P0632Z054	RIBBED BELT 180J6	98	P0632Z098	EXT RETAINING RING 18MM
55	P0632Z055	SET SCREW M8-1.25 X 15	101	P0632Z101	PHLP HD SCR M4-.7 X 8
56	P0632Z056	SPINDLE PULLEY	102	P0632Z102	MAGNETIC RING
57	P0632Z057	PHLP HD SCR M5-.8 X 12	103	P0632Z103	PHLP HD SCR M5-.8 X 10
58	P0632Z058	SIDE BELT ACCESS PANEL	104	P0632Z104	DIVIDING PLATE
59	P0632Z059	SPINDLE HANDLE	105	P0632Z105	COMPRESSION SPRING 4 X 25 X 40
60	P0632Z060	KNOCKOUT TOOL	106	P0632Z106	ROTATION LOCK PIN NUT
61	P0632Z061	MOTOR 1.5HP 220V 3-PH	107	P0632Z107	COMPRESSION SPRING
61-1	P0632Z061-1	PHLP HD SCR M4-.7 X 8	108	P0632Z108	EXT RETAINING RING 8MM
61-2	P0632Z061-2	LOCK WASHER 4MM	109	P0632Z109	SET SCREW M5-.8 X 8
61-3	P0632Z061-3	FLAT WASHER 4MM	111	P0632Z111	INVERTER COVER
61-4	P0632Z061-4	FAN COVER	112	P0632Z112	STUD DE M6-1 X 140, 40
61-5	P0632Z061-5	FAN	113	P0632Z113	HEX NUT M6-1
61-6	P0632Z061-6	MOTOR JUNCTION BOX	114	P0632Z114	PLASTIC SPACER 10 X 14MM
61-7	P0632Z061-7	JUNCTION BLOCK	115	P0632Z115	ACORN NUT M6-1
61-8	P0632Z061-8	BALL BEARING 6304ZZ (FRONT)	116	P0632Z116	HEX BOLT M8-1.25 X 140
61-9	P0632Z061-9	BALL BEARING 6203ZZ (REAR)	117	P0632Z117	HEX NUT M8-1.25
62	P0632Z062	SET SCREW M6-1 X 16	118	P0632Z118	RUBBER WASHER 8MM
63	P0632Z063	KEY 5 X 5 X 45 RE	119	P0632Z119	SPINDLE HANDLE SAFETY COVER
64	P0632Z064	MOTOR PULLEY	122	P0632Z122	HEX NUT M3-.5
65	P0632Z065	SET SCREW M6-1 X 16	123	P0632Z123	RPM CIRCUIT BOARD COVER
66	P0632Z066	CAP SCREW M10-1.5 X 25	131	P0632Z131	THUMB SCREW M6-1
67	P0632Z067	CAP SCREW M10-1.5 X 25	132	P0632Z132	HINGE
68	P0632Z068	FLAT WASHER 10MM	133	P0632Z133	PHLP HD SCR M4-.7 X 6
69	P0632Z069	MOTOR MOUNTING PLATE	134	P0632Z134	PHLP HD SCR M4-.7 X 10
70	P0632Z070	KNOB M8-1.25	135	P0632Z135	PHLP HD SCR M6-1 X 12



Labels & Cosmetics



REF	PART #	DESCRIPTION
201	P0632Z201	ENTANGLEMENT/PINCH LABEL
202	P0632Z202	HEADSTOCK CONTROL PANEL LABEL
203	P0632Z203	ENTANGLEMENT WARNING LABEL
204	P0632Z204	IMPACT INJURY WARNING LABEL
205	P0632Z205	READ MANUAL LABEL
206	P0632Z206	MACHINE ID LABEL

REF	PART #	DESCRIPTION
207	P0632Z207	ELECTRICITY WARNING LABEL
208	P0632Z208	MODEL NUMBER LABEL
209	P0632Z209	DISCONNECT POWER LABEL
210	P0632Z210	FACE/LUNG WARNING LABEL
211	P0632Z211	SPINDLE SPEED LABEL
212	P0632Z212	TOUCH-UP PAINT GRIZZLY GREEN

