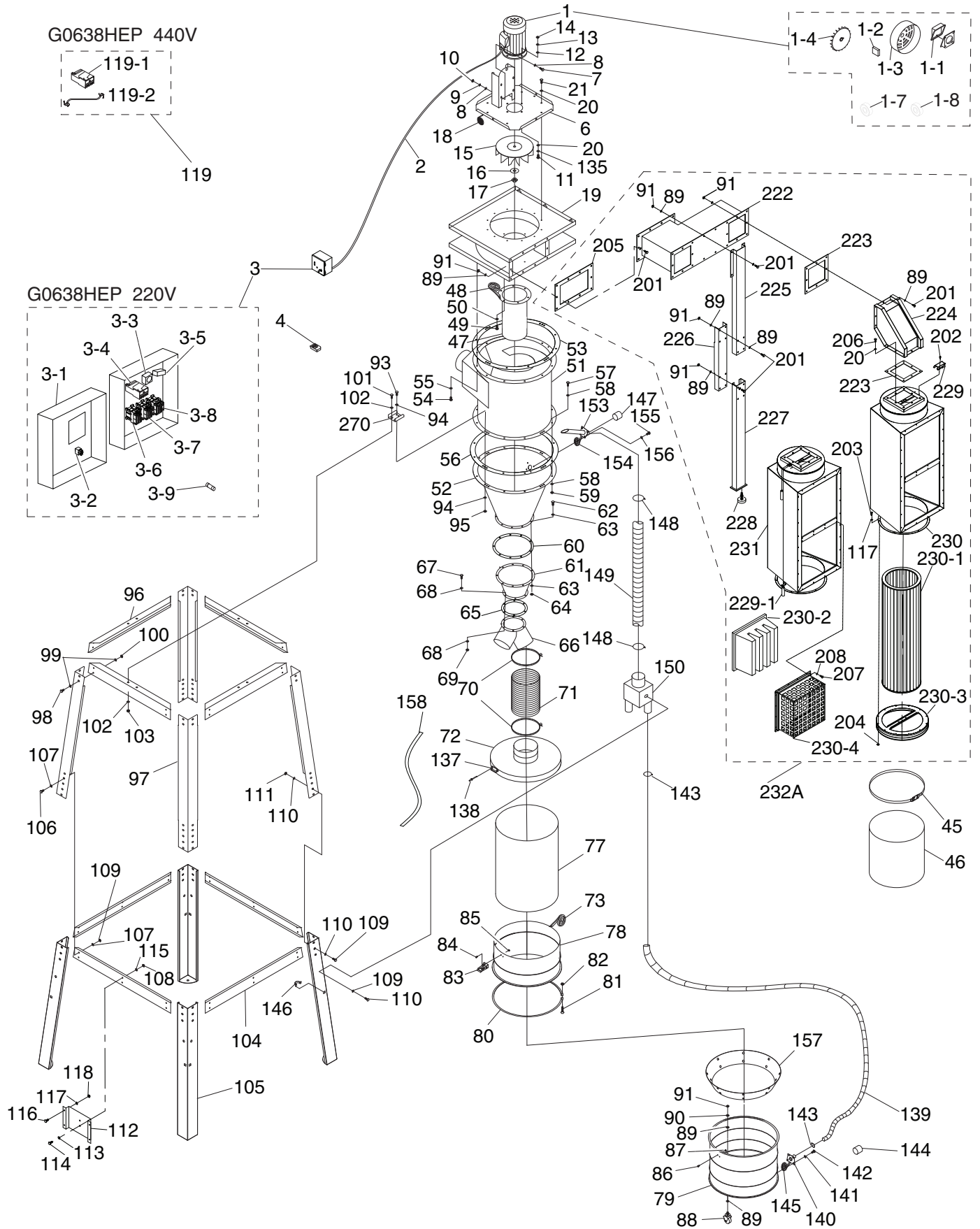


Main



Main Parts List

REF	PART #	DESCRIPTION
1	P0638HEP001	MOTOR 10HP 220V/440V 3-PH
1-1	P0638HEP001-1	MOTOR JUNCTION BOX
1-2	P0638HEP001-2	MOTOR JUNCTION BLOCK
1-3	P0638HEP001-3	MOTOR FAN COVER
1-4	P0638HEP001-4	MOTOR FAN
1-7	P0638HEP001-7	BALL BEARING P6308ZZ
1-8	P0638HEP001-8	BALL BEARING P6306ZZ
2	P0638HEP002	MOTOR CORD 10G 4W 300V
3	P0638HEP003	CONTROL BOX 220V
3-1	P0638HEP003-1	CONTROL BOX CABINET W/ CIRCUIT BOARD
3-2	P0638HEP003-2	POWER SWITCH 220V/440V
3-3	P0638HEP003-3	START TIMER OMRON H3BG 0-12 SEC
3-4	P0638HEP003-4	OL RELAY SHIHLIN TH-P20 28-38 220V
3-5	P0638HEP003-5	TRANSFORMER
3-6	P0638HEP003-6	CONTACTOR SHIHLIN S-P21
3-7	P0638HEP003-7	CONTACTOR SHIHLIN S-P21
3-8	P0638HEP003-8	CONTACTOR SHIHLIN S-P16
3-9	P0638HEP003-9	FUSE 2A
4	P0638HEP004	REMOTE CONTROLLER
6	P0638HEP006	MOTOR BASE
7	P0638HEP007	HEX BOLT 3/8-16 X 1-1/2
8	P0638HEP008	FLAT WASHER 3/8
9	P0638HEP009	LOCK WASHER 3/8
10	P0638HEP010	HEX NUT 3/8-16
11	P0638HEP011	HEX BOLT 1/2-13 X 1-1/2
12	P0638HEP012	FENDER WASHER 1/2
13	P0638HEP013	LOCK WASHER 1/2
14	P0638HEP014	HEX NUT 1/2-13
15	P0638HEP015	IMPELLER 18-1/2"
16	P0638HEP016	FLAT WASHER 1-1/6
17	P0638HEP017	HEX NUT 1-1/16 - 8 LH
18	P0638HEP018	GASKET 3 X 6 X 1700MM
19	P0638HEP019	BLOWER
20	P0638HEP020	FLAT WASHER 5/16
21	P0638HEP021	HEX BOLT 5/16-18 X 3/4
45	P0638HEP045	FILTER BAG CLAMP 545MM
46	P0638HEP046	COLLECTION BAG 570 X 600MM
47	P0638HEP047	INTAKE CYLINDER
48	P0638HEP048	GASKET 3 X 6 X 1800MM
49	P0638HEP049	HEX BOLT 5/16-18 X 3/4
50	P0638HEP050	FLAT WASHER 5/16
51	P0638HEP051	INTAKE BARREL
52	P0638HEP052	CYCLONE FUNNEL LARGE
53	P0638HEP053	RUBBER GASKET 700MM DIA
54	P0638HEP054	HEX BOLT 5/16-18 X 3/4
55	P0638HEP055	FLAT WASHER 5/16
56	P0638HEP056	RUBBER GASKET 700MM DIA
57	P0638HEP057	HEX BOLT 5/16-18 X 1-1/4
58	P0638HEP058	FLAT WASHER 5/16
59	P0638HEP059	HEX NUT 5/16-18
60	P0638HEP060	RUBBER GASKET 460MM DIA
61	P0638HEP061	CYCLONE FUNNEL SMALL
62	P0638HEP062	HEX BOLT 5/16-18 X 1-1/4
63	P0638HEP063	FLAT WASHER 5/16

REF	PART #	DESCRIPTION
64	P0638HEP064	HEX NUT 5/16-18
65	P0638HEP065	RUBBER GASKET 9"
66	P0638HEP066	FUNNEL PORT
67	P0638HEP067	HEX BOLT 5/16-18 X 1-1/4
68	P0638HEP068	FLAT WASHER 5/16
69	P0638HEP069	HEX NUT 5/16-18
70	P0638HEP070	HOSE CLAMP 9"
71	P0638HEP071	FLEXIBLE DUCT 9 X 25-1/2"
72	P0638HEP072	COLLECTION DRUM LID
73	P0638HEP073	DRUM SEAL TYPE-R 2.1M
77	P0638HEP077	COLLECTION BAG 640 X 1200MM
78	P0638HEP078	COLLECTION DRUM 25GAL (UPPER)
79	P0638HEP079	COLLECTION DRUM 35GAL (LOWER)
80	P0638HEP080	DRUM CLAMP
81	P0638HEP081	HEX BOLT 5/16-18 X 3
82	P0638HEP082	HEX NUT 5/16-18
83	P0638HEP083	COLLECTION DRUM LID LATCH
84	P0638HEP084	PHLP HD SCR 10-24 X 3/8
85	P0638HEP085	HEX NUT 10-24
86	P0638HEP086	PHLP HD SCR 10-24 X 3/8
87	P0638HEP087	HEX NUT 10-24
88	P0638HEP088	CASTER 2"
89	P0638HEP089	FLAT WASHER 3/8
90	P0638HEP090	LOCK WASHER 3/8
91	P0638HEP091	HEX NUT 3/8-16
93	P0638HEP093	HEX BOLT 3/8-16 X 1-1/4
94	P0638HEP094	FLAT WASHER 3/8
95	P0638HEP095	LOCK NUT 3/8-16
96	P0638HEP096	UPPER STAND BRACE
97	P0638HEP097	UPPER STAND LEG
98	P0638HEP098	HEX BOLT 3/8-16 X 3/4
99	P0638HEP099	FLAT WASHER 3/8
100	P0638HEP100	LOCK NUT 3/8-16
101	P0638HEP101	HEX BOLT 3/8-16 X 3/4
102	P0638HEP102	FLAT WASHER 3/8
103	P0638HEP103	LOCK NUT 3/8-16
104	P0638HEP104	LOWER STAND BRACE
105	P0638HEP105	LOWER STAND LEG
106	P0638HEP106	HEX BOLT 3/8-16 X 3/4
107	P0638HEP107	FLAT WASHER 3/8
108	P0638HEP108	LOCK NUT 3/8-16
109	P0638HEP109	HEX BOLT 3/8-16 X 3/4
110	P0638HEP110	FLAT WASHER 3/8
111	P0638HEP111	LOCK NUT 3/8-16
112	P0638HEP112	CONTROL BOX BRACKET CSA
113	P0638HEP113	HEX BOLT 3/8-16 X 3/4
114	P0638HEP114	FLAT WASHER 3/8
115	P0638HEP115	HEX NUT 3/8-16
116	P0638HEP116	PHLP HD SCR M6-1 X 16
117	P0638HEP117	FLAT WASHER 1/4
118	P0638HEP118	HEX NUT M6-1
119	P0638HEP119	CONVERSION KIT 440V
119-1	P0638HEP119-1	OL RELAY SHIHLIN/TH-P20S 12-18A
119-2	P0638HEP119-2	MOTOR CORD 12G 4W 600V



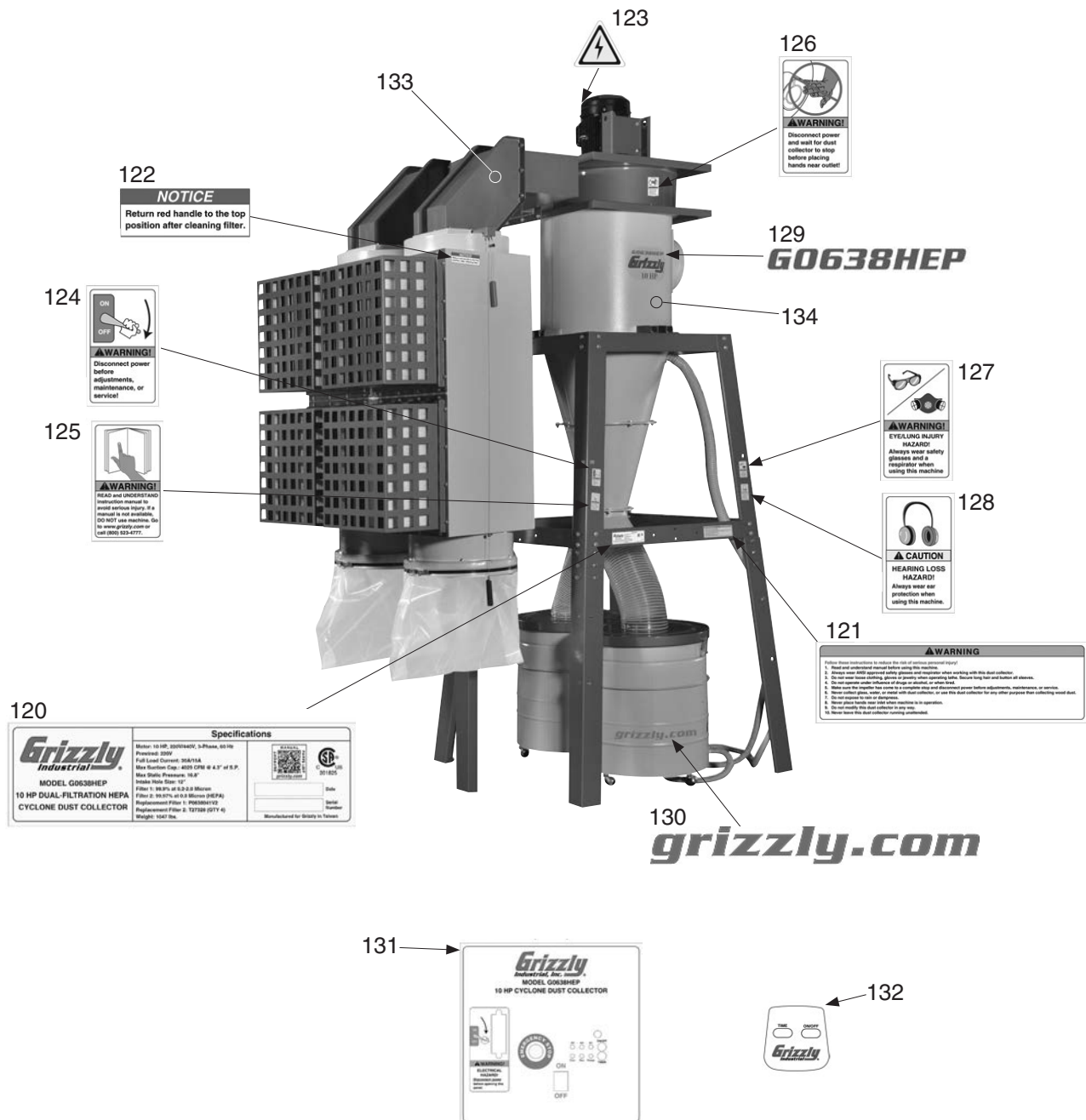
Main Parts List Cont.

REF	PART #	DESCRIPTION
135	P0638HEP135	EXT TOOTH WASHER 1/2
137	P0638HEP137	DRUM LID HOOK
138	P0638HEP138	RIVET 4 X 7MM BLIND, STEEL
139	P0638HEP139	VACUUM HOSE 1-1/4" X 79"
140	P0638HEP140	COLLECTION DRUM VACUUM TUBE
141	P0638HEP141	FLAT WASHER 5/16
142	P0638HEP142	HEX BOLT 5/16-18 X 3/4
143	P0638HEP143	HOSE CLAMP 1-1/4"
144	P0638HEP144	TUBE PLUG 1-1/4"
145	P0638HEP145	FOAM TAPE 3 X 6 X 300MM
146	P0638HEP146	VACUUM HOSE CLIP 2-1/2"
147	P0638HEP147	PORT PLUG 2"
148	P0638HEP148	HOSE CLAMP 2"
149	P0638HEP149	VACUUM HOSE 2" X 39"
150	P0638HEP150	VACUUM MANIFOLD
153	P0638HEP153	CYCLONE VACUUM PORT
154	P0638HEP154	FOAM TAPE 3 X 6 X 300MM
155	P0638HEP155	HEX BOLT 5/16-18 X 3/4
156	P0638HEP156	FLAT WASHER 5/16
157	P0638HEP157	COLLECTION DRUM VACUUM RING
158	P0638HEP158	DRUM LID PVC RUBBER SEAL 2M
201	P0638HEP201	HEX BOLT 3/8-16 X 1
202	P0638HEP202	TAP SCEW M4 X 12

REF	PART #	DESCRIPTION
203	P0638HEP203	PHLP HD SCR 1/4-20 X 3/4
204	P0638HEP204	HEX NUT 1/4-20
205	P0638HEP205	OUTLET GASKET 456 X 226MM
206	P0638HEP206	HEX BOLT 5/16-18 X 1
207	P0638HEP207	HEX BOLT 1/4-20 X 3/4
208	P0638HEP208	FLAT WASHER 1/4
222	P0638HEP222	OUTLET
223	P0638HEP223	FILTER ADAPTER GASKET
224	P0638HEP224	FILTER ADAPTER
225	P0638HEP225	HEPA SUPPORT LEG (TOP)
226	P0638HEP226	HEPA SUPPORT LEG (MIDDLE)
227	P0638HEP227	HEPA SUPPORT LEG (BOTTOM)
228	P0638HEP228	ADJUSTABLE FOOT M16
229	P0638HEP229	PULL WIRE RAIL COVER
229-1	P0638HEP229-1	PULL WIRE
230	P0638HEP230	HEPA FILTER BODY (RIGHT)
230-1	P0638HEP230-1	HEPA FILTER OUTER
230-2	P0638HEP230-2	HEPA FILTER 595 X 595 X 300MM
230-3	P0638HEP230-3	HEPA FILTER BOTTOM PLATE
230-4	P0638HEP230-4	HEPA FILTER CAGE 595 X 595
231	P0638HEP231	HEPA FILTER BODY (LEFT)
232A	P0638HEP232A	HEPA FILTER KIT
270	P0638HEP270	COLLECTOR MOUNTING BRACKET



G0638HEP Labels & Cosmetics



REF PART #	DESCRIPTION
120	P0638HEP120 MACHINE ID LABEL CSA
121	P0638HEP121 GENERAL WARNING LABEL CSA
122	P0638HEP122 RED HANDLE NOTICE LABEL
123	P0638HEP123 ELECTRICITY LABEL
124	P0638HEP124 DISCONNECT POWER LABEL
125	P0638HEP125 READ MANUAL LABEL
126	P0638HEP126 HANDS/OUTLET LABEL
127	P0638HEP127 GLASSES/RESPIRATOR DC LABEL

REF PART #	DESCRIPTION
128	P0638HEP128 EAR PROTECTION LABEL
129	P0638HEP129 MODEL NUMBER LABEL
130	P0638HEP130 GRIZZLY.COM LABEL
131	P0638HEP131 CONTROL PANEL LABEL
132	P0638HEP132 REMOTE CONTROL LABEL
133	P0638HEP133 GRIZZLY GREEN TOUCH-UP PAINT
134	P0638HEP134 GRIZZLY PUTTY TOUCH-UP PAINT

