

Table Parts Breakdown

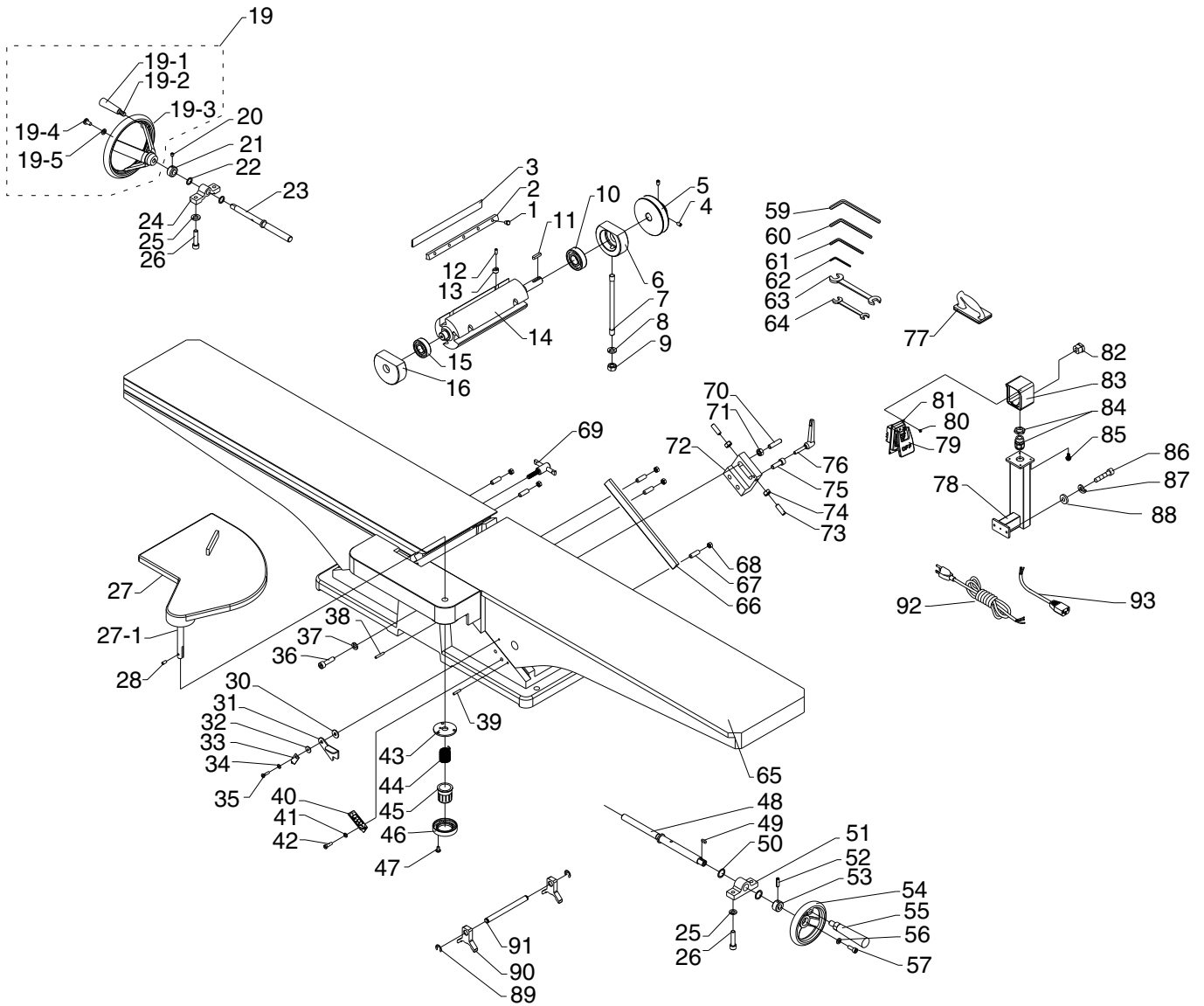


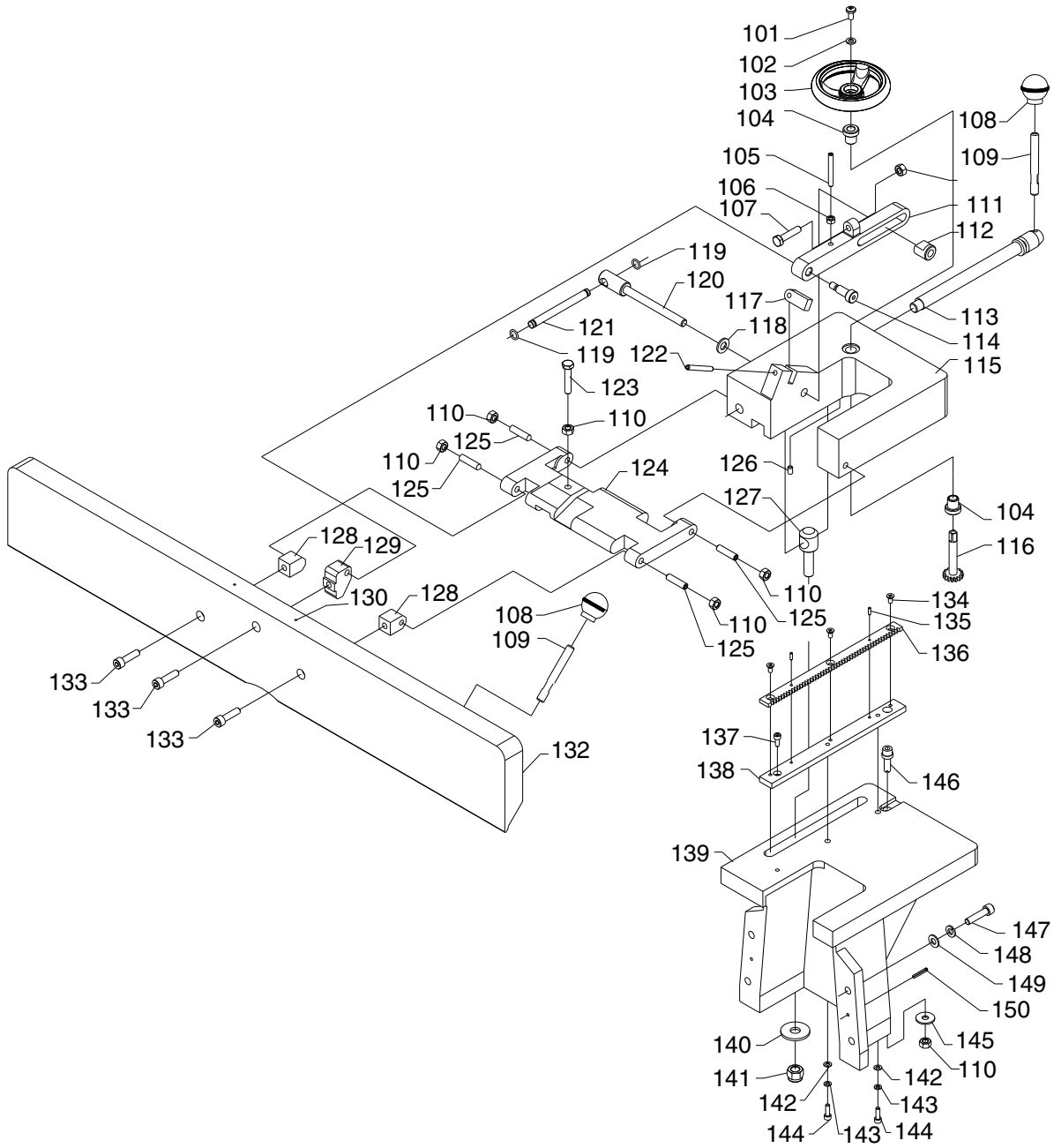
Table Parts List

REF	PART #	DESCRIPTION
1	P0656001	GIB BOLT
2	P0656002	GIB
3	P0656003	KNIFE
4	P0656004	SET SCREW M6-1 X 10
5	P0656005	PULLEY
6	P0656006	RIGHT BEARING SUPPORT BLOCK
7	P0656007	STUD
8	P0656008	LOCK WASHER 10MM
9	P0656009	HEX NUT M10-1.5
10	P0656010	BALL BEARING 6204ZZ
11	P0656011	KEY 5 X 5 X 30
12	P0656012	SET SCREW M5-.8 X 12
13	P0656013	SPECIAL NUT
14	P0656014	CUTTERHEAD
15	P0656015	BALL BEARING 6203ZZ
16	P0656016	LEFT BEARING SUPPORT BLOCK
19	P0656019	HANDWHEEL ASSY
19-1	P0656019-1	HANDLE
19-2	P0656019-2	SHOULDER SCREW
19-3	P0656019-3	HANDWHEEL
19-4	P0656019-4	CAP SCREW M6-1 X 12
19-5	P0656019-5	FLAT WASHER 6MM
20	P0656020	SET SCREW M6-1 X 6
21	P0656021	COLLAR
22	P0656022	SPECIAL FLAT WASHER
23	P0656023	SCREW SHAFT
24	P0656024	BLOCK
25	P0656025	LOCK WASHER 8MM
26	P0656026	CAP SCREW M8-1.25 X 35
27	P0656027	CUTTERHEAD GUARD
27-1	P0656027-1	GUARD PIVOT SHAFT M10-1.5 X 110
28	P0656028	SET SCREW M5-.8 X 12
30	P0656030	SPACER
31	P0656031	STOP LEVER
32	P0656032	FLAT WASHER 4MM
33	P0656033	POINTER
34	P0656034	FLAT WASHER 4MM
35	P0656035	PHLP HD SCR M4-.7 X 15
36	P0656036	CAP SCREW M8-1.25 X 35
37	P0656037	LOCK WASHER 8MM
38	P0656038	ROLL PIN 4 X 25
39	P0656039	ALIGNMENT PIN 4 X 20
40	P0656040	DEPTH SCALE
41	P0656041	LOCK WASHER 5MM
42	P0656042	CAP SCREW M5-.8 X 16
43	P0656043	PLATE
44	P0656044	TORSION SPRING
45	P0656045	CUP

REF	PART #	DESCRIPTION
46	P0656046	RETAINER
47	P0656047	CAP SCREW M5-.8 X 18
48	P0656048	SCREW SHAFT
49	P0656049	KEY 4 X 4 X 12
50	P0656050	SPACER
51	P0656051	BLOCK
52	P0656052	ROLL PIN 5 X 25
53	P0656053	COLLAR
54	P0656054	HANDWHEEL
55	P0656055	HANDLE
56	P0656056	SPECIAL FLAT WASHER
57	P0656057	CAP SCREW M6-1 X 12
59	P0656059	HEX WRENCH 6MM
60	P0656060	HEX WRENCH 4MM
61	P0656061	HEX WRENCH 3MM
62	P0656062	HEX WRENCH 2.5MM
63	P0656063	WRENCH 12 X 14
64	P0656064	WRENCH 8 X 10
65	P0656065	TABLE ASSY
66	P0656066	GIB
67	P0656067	SET SCREW M6-1 X 25
68	P0656068	HEX NUT M6-1
69	P0656069	OUTFEED TABLE LOCK M6-1 X 25
70	P0656070	SPECIAL SCREW
71	P0656071	HEX NUT M6-1
72	P0656072	STOP BLOCK
73	P0656073	SET SCREW M8-1.25 X 25
74	P0656074	HEX NUT M8-1.25
75	P0656075	CAP SCREW M8-1.25 X 25
76	P0656076	INFEED LOCK LEVER M6-1 X 30
77	P0656077	JOINTER PUSH BLOCK
78	P0656078	SWITCH PEDESTAL
79	P0656079	SWITCH PADDLE
80	P0656080	CAP SCREW M4-.7 X 8
81	P0656081	SWITCH BRACKET
82	P0656082	STRAIN RELIEF
83	P0656083	SWITCH BOX
84	P0656084	STRAIN RELIEF
85	P0656085	FLANGE BOLT M6-1 X 16
86	P0656086	CAP SCREW M8-1.25 X 25
87	P0656087	LOCK WASHER 8MM
88	P0656088	FLAT WASHER 8MM
89	P0656089	EXT RETAINING RING 8MM
90	P0656090	KNIFE GAUGE BLOCK
91	P0656091	KNIFE GAUGE ROD
92	P0656092	POWER CORD 14G 3W V1
93	P0656093	SWITCH CORD 14AWG X 3C



Fence Parts Breakdown



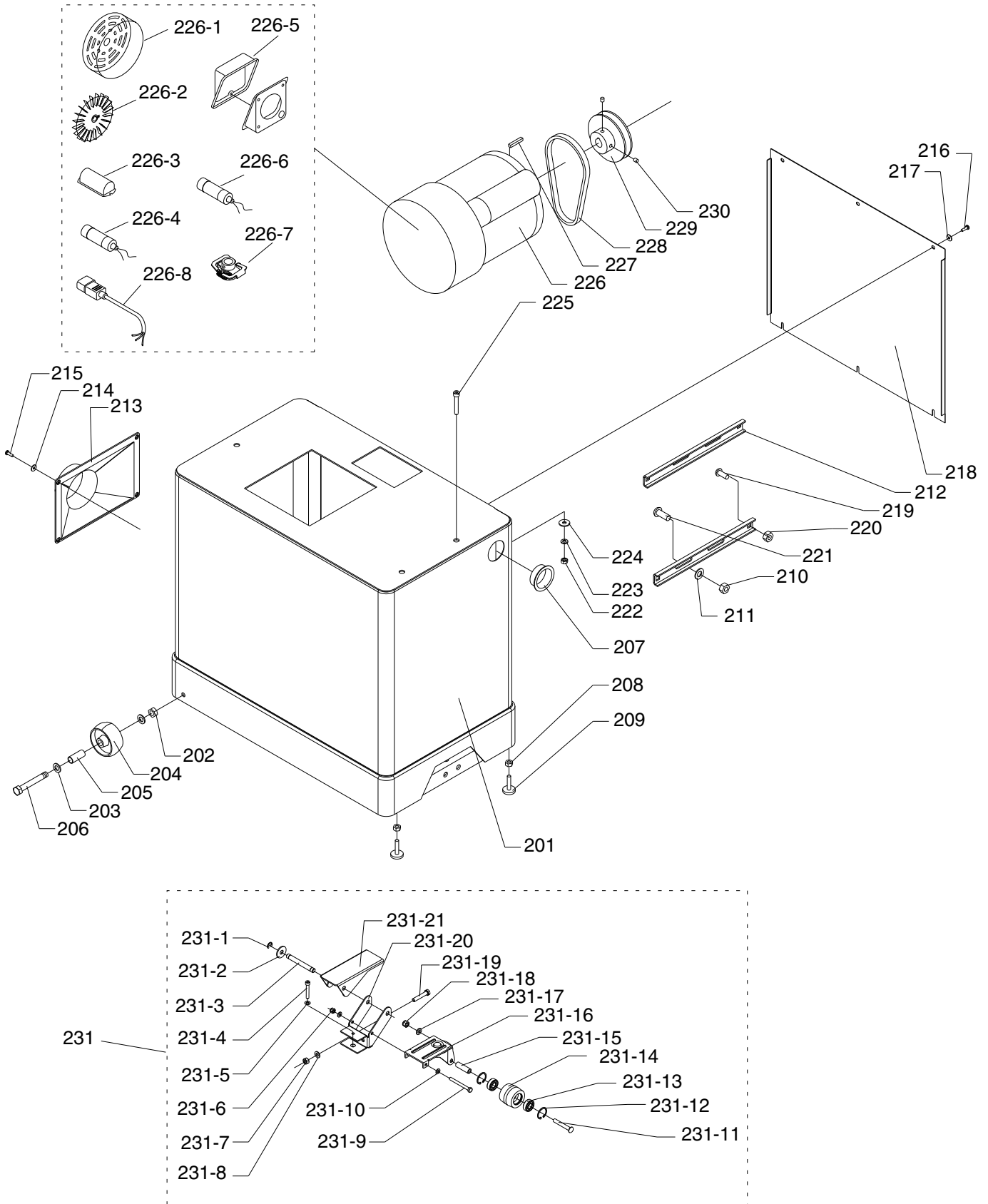
Fence Parts List

REF	PART #	DESCRIPTION
101	P0656101	PHLP HD SCR M6-1 X 12
102	P0656102	FLAT WASHER 6MM
103	P0656103	HANDWHEEL
104	P0656104	BUSHING
105	P0656105	SET SCREW M6-1 X 45
106	P0656106	HEX NUT M6-1
107	P0656107	HEX BOLT M8-1.25 X 35
108	P0656108	KNOB M10-1.5
109	P0656109	STUD M10-1.5
110	P0656110	HEX NUT M8-1.25
111	P0656111	CLAMP ARM
112	P0656112	LOCK NUT
113	P0656113	ECCENTRIC LOCK LEVER
114	P0656114	SPECIAL SCREW M10-1.5 X 20
115	P0656115	FENCE CARRIAGE
116	P0656116	GEAR
117	P0656117	90 DEG STOP BLOCK
118	P0656118	FLAT WASHER 10MM
119	P0656119	O-RING 10 X 2
120	P0656120	TILT LOCK SHAFT
121	P0656121	TILT LOCK HANDLE
122	P0656122	ALIGNMENT PIN 6 X 50
123	P0656123	HEX BOLT M8-1.25 X 40
124	P0656124	BRACKET
125	P0656125	SET SCREW M8-1.25 X 35

REF	PART #	DESCRIPTION
126	P0656126	SET SCREW M6-1 X 10
127	P0656127	ADJUST LEVER
128	P0656128	SMALL BRACKET BLOCK
129	P0656129	BRACKET BLOCK
130	P0656130	RIVET 2 X 4
132	P0656132	FENCE
133	P0656133	CAP SCREW M8-1.25 X 30
134	P0656134	FLAT HD SCR M5-.8 X 10
135	P0656135	ROLL PIN 3 X 10
136	P0656136	RACK
137	P0656137	CAP SCREW M5-.8 X 14
138	P0656138	GIB
139	P0656139	FENCE SUPPORT
140	P0656140	FLAT WASHER 12MM
141	P0656141	SPECIAL HEX NUT M12-1.75
142	P0656142	FLAT WASHER 5MM
143	P0656143	LOCK WASHER 5MM
144	P0656144	CAP SCREW M5-.8 X 18
145	P0656145	SPECIAL FLAT WASHER
146	P0656146	ECCENTRIC STUD
147	P0656147	CAP SCREW M8-1.25 X 35
148	P0656148	LOCK WASHER 8MM
149	P0656149	FLAT WASHER 8MM
150	P0656150	ROLL PIN 5 X 25



Stand Parts Breakdown



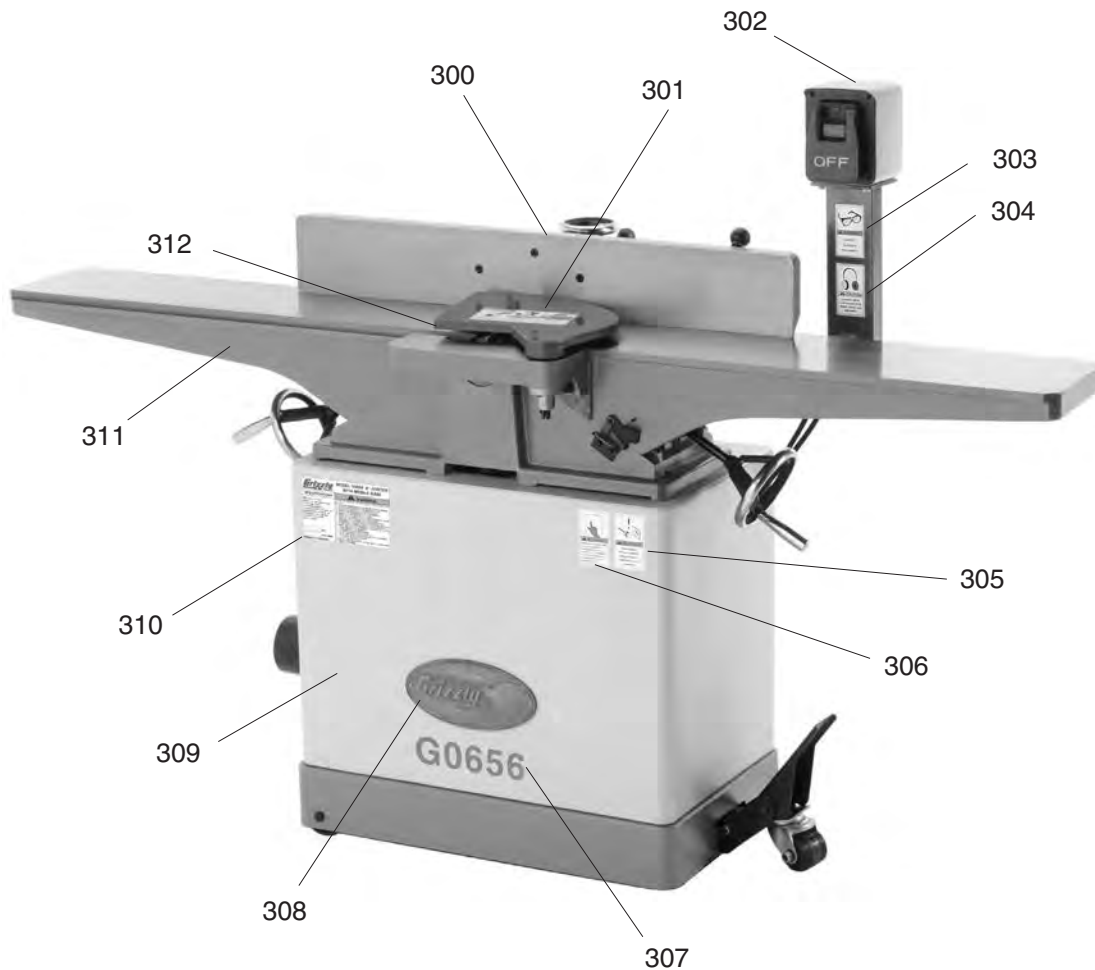
Stand Parts List

REF	PART #	DESCRIPTION
201	P0656201	CABINET
202	P0656202	LOCK NUT M8-1.25
203	P0656203	FLAT WASHER 8MM
204	P0656204	WHEEL
205	P0656205	SLEEVE
206	P0656206	HEX BOLT M8-1.25 X 65
207	P0656207	PLASTIC GROMMET
208	P0656208	HEX NUT 3/8-16
209	P0656209	ADJUSTING SCREW
210	P0656210	HEX NUT 5/16-18
211	P0656211	FLAT WASHER 5/16
212	P0656212	MOTOR BRACKET
213	P0656213	DUST PORT
214	P0656214	FLAT WASHER 5MM
215	P0656215	PHLP HD SCR M5-.8 X 16
216	P0656216	PHLP HD SCR M5-.8 X 16
217	P0656217	FLAT WASHER 5MM
218	P0656218	CABINET REAR COVER
219	P0656219	CARRIAGE BOLT 5/16-18 X 3/4
220	P0656220	HEX NUT 5/16-18
221	P0656221	CARRIAGE BOLT 5/16-18 X 1
222	P0656222	HEX NUT M8-1.25
223	P0656223	LOCK WASHER 8MM
224	P0656224	FLAT WASHER 8MM
225	P0656225	CAP SCREW M8-1.25 X 50
226	P0656226	MOTOR 3PH 240V 1-PH
226-1	P0656226-1	MOTOR FAN COVER
226-2	P0656226-2	MOTOR FAN
226-3	P0656226-3	CAPACITOR COVER
226-4	P0656226-4	R CAPACITOR 30M 450V 1-1/2 x 2-3/4

REF	PART #	DESCRIPTION
226-5	P0656226-5	MOTOR JUNCTION BOX
226-6	P0656226-6	S CAPACITOR 200M 250V 1-1/2 X 3-1/2
226-7	P0656226-7	CENTRIFUGAL SWITCH 16MM 3450
226-8	P0656226-8	MOTOR CORD 14AWG X 3C
227	P0656227	KEY 5 X 5 X 30
228	P0656228	V-BELT A-48
229	P0656229	MOTOR PULLEY
230	P0656230	SET SCREW M6-1 X 10
231	P0656231	PEDAL ASSEMBLY
231-1	P0656231-1	EXT RETAINING RING 9MM
231-2	P0656231-2	SPECIAL FLAT WASHER
231-3	P0656231-3	SHAFT
231-4	P0656231-4	HEX BOLT M8-1.25 X 50
231-5	P0656231-5	FLAT WASHER 8MM
231-6	P0656231-6	SPECIAL HEX NUT M8-1.25
231-7	P0656231-7	HEX NUT M10-1.5
231-8	P0656231-8	FLAT WASHER 10MM
231-9	P0656231-9	HEX BOLT M8-1.25 X 100
231-10	P0656231-10	FLAT WASHER 8MM
231-11	P0656231-11	SPECIAL BOLT
231-12	P0656231-12	INT RETAINING RING 35MM
231-13	P0656231-13	BALL BEARING 6202ZZ
231-14	P0656231-14	TROLLEY WHEEL
231-15	P0656231-15	SLEEVE
231-16	P0656231-16	UNIVERSAL KIT TROLLEY
231-17	P0656231-17	FLAT WASHER 10MM
231-18	P0656231-18	SPECIAL HEX NUT M10
231-19	P0656231-19	HEX BOLT M10-1.5 X 55
231-20	P0656231-20	BRACKET
231-21	P0656231-21	PEDAL



Label Placement



REF	PART #	DESCRIPTION
300	P0656300	FENCE/CUTTERHEAD LABEL
301	P0656301	CUTTERHEAD GUARD LABEL
302	P0656302	ELECTRICITY LABEL
303	P0656303	SAFETY GLASSES 2" X 3 5/16"
304	P0656304	EAR PROTECTION 2" X 3-5/16"H
305	P0656305	UNPLUG 220V POWER LABEL
306	P0656306	READ MANUAL-VERTICAL NS 7/05

REF	PART #	DESCRIPTION
307	P0656307	MODEL NUMBER LABEL
308	P0656308	SMALL GRIZZLY NAMEPLATE
309	P0656309	PUTTY TOUCH-UP PAINT
310	P0656310	MACHINE ID LABEL NO-CSA V1
311	P0656311	GRIZZLY GREEN TOUCH-UP PAINT
312	P0656312	RED TOUCH-UP PAINT

WARNING

Safety labels warn about machine hazards and ways to prevent injury. The owner of this machine **MUST** maintain the original location and readability of the labels on the machine. If any label is removed or becomes unreadable, **REPLACE** that label before using the machine again. Contact Grizzly at (800) 523-4777 or www.grizzly.com to order new labels.

