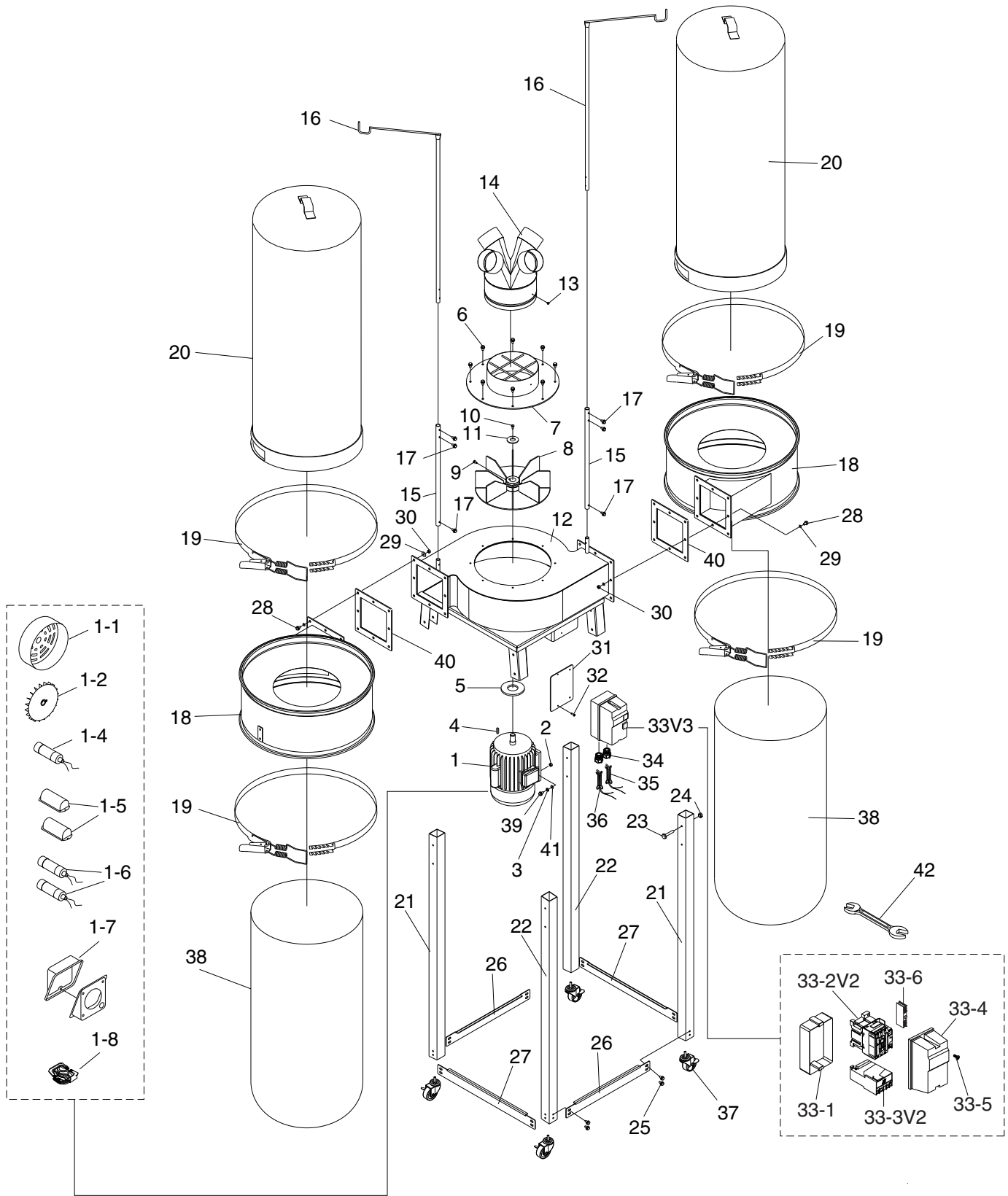


# G0672 Parts Breakdown



# G0672 Parts List

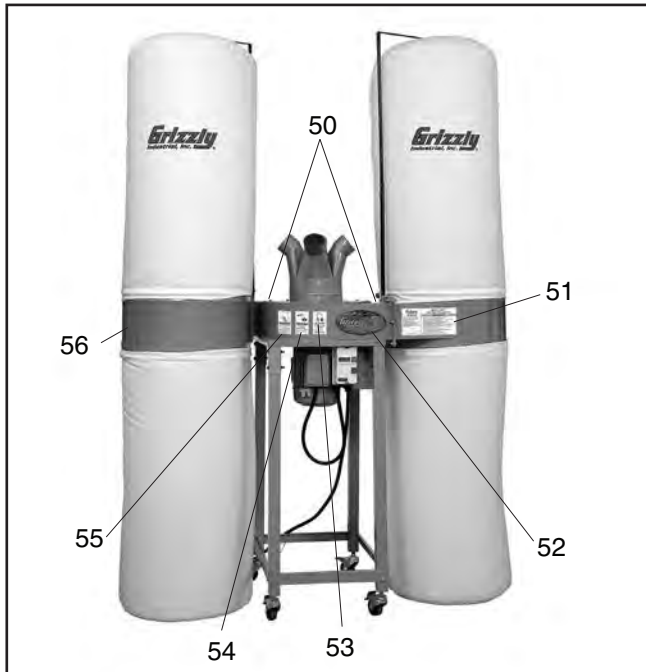
REF	PART #	DESCRIPTION
1	P0672001	MOTOR 5HP, 220V, 1 PH
1-1	P0672001-1	FAN COVER
1-2	P0672001-2	FAN
1-4	P0672001-4	S CAPACITOR 800M 250V 1-3/4 X 3-3/4
1-5	P0672001-5	R CAPACITOR COVER
1-6	P0672001-6	R CAPACITOR 50M 250V 2 X 4-3/8
1-7	P0672001-7	JUNCTION BOX
1-8	P0672001-8	CENTRIFUGAL SWITCH
2	P0672002	HEX NUT 3/8-16
3	P0672003	LOCK WASHER 3/8
4	P0672004	KEY 6 X 6 X 25
5	P0672005	MOTOR GASKET
6	P0672006	HEX BOLT 5/16-18 X 3/4
7	P0672007	INLET COVER
8	P0672008	IMPELLER 15"
9	P0672009	HEX BOLT 3/8-16 X 1/2
10	P0672010	CAP SCREW M6-1 X 20
11	P0672011	FLAT WASHER 6MM
12	P0672012	COLLECTOR HOUSING
13	P0672013	PHLP HD SCR 10-24 X 3/8
14	P0672014	INLET ADAPTER
15	P0672015	BAG HANGER LOWER SUPPORT
16	P0672016	BAG HANGER
17	P0672017	HEX BOLT 1/4-20 X 1/2
18	P0672018	COLLECTOR DRUM
19	P0672019	BAG CLAMP
20	P0672020	FILTER BAG 2.5 MICRON 23-5/8" X 70"
21	P0672021	RIGHT LEG

REF	PART #	DESCRIPTION
22	P0672022	LEFT LEG
23	P0672023	HEX BOLT 5/16-18 X 2-1/2
24	P0672024	HEX NUT 5/16-18
25	P0672025	HEX BOLT 5/16-18 X 1/2
26	P0672026	F/R LEG BRACE
27	P0672027	L/R LEG BRACE
28	P0672028	HEX BOLT 5/16-18 X 1
29	P0672029	FLAT WASHER 5/16
30	P0672030	HEX NUT 5/16-18
31	P0672031	MAGNETIC SWITCH PLATE
32	P0672032	PHLP HD SCR 10-24 X 1/2
33V3	P0672033V3	MAGNETIC SWITCH ASSY V3.06.17
33-1	P0672033-1	MAG SWITCH BACK COVER
33-2V2	P0672033-2V2	CONTACTOR SDE MA-30 220V V2.06.17
33-3V2	P0672033-3V2	OL RELAY SDE RA-30 28-42A V2.01.13
33-4	P0672033-4	MAG SWITCH FRONT COVER
33-5	P0672033-5	PLASTIC COVER SCREW 11/32-16 X 3/4
33-6	P0672033-6	AUXILIARY CONTACTOR SWITCH
34	P0672034	STRAIN RELIEF
35	P0672035	MOTOR CORD 10AWG X 3C
36	P0672036	POWER CORD 10AWG X 3C
37	P0672037	CASTER WITH BRAKE
38	P0672038	LOWER DUST BAG 23-5/8" X 54"
39	P0672039	HEX BOLT 3/8-16 X 1-1/4
40	P0672040	RUBBER GASKET
41	P0672041	FLAT WASHER 3/8
42	P0672042	COMBO WRENCH 10 X 12MM

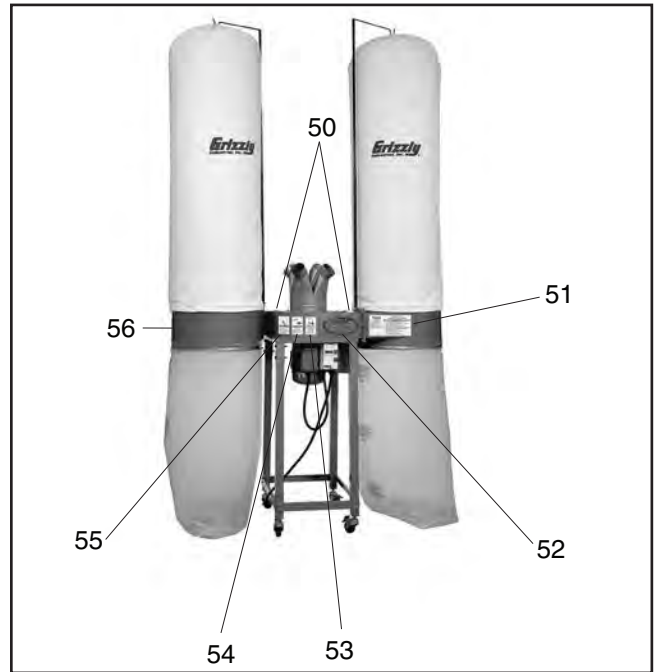


# Label Placement

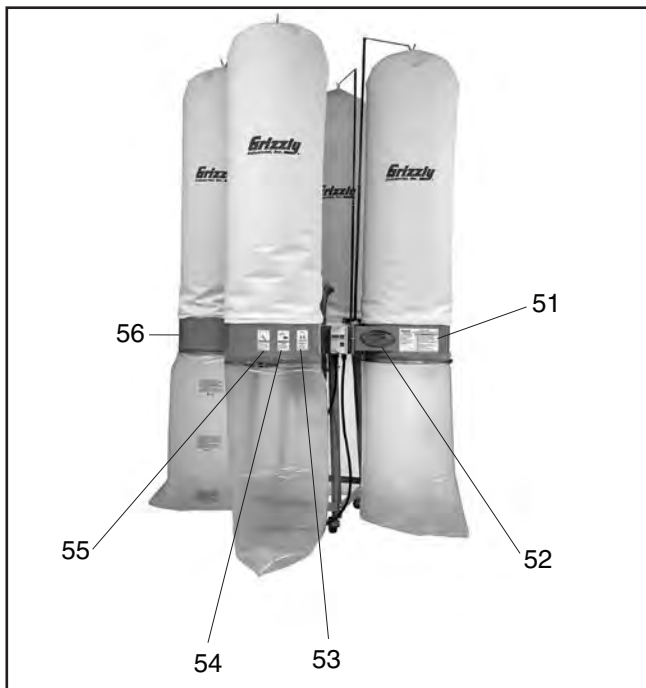
G0671



G0672



G0673



REF	PART #	DESCRIPTION
50	P0671050	HANDS INLET WARNING (G0671, G0672)
51	P0671051	MACHINE ID LABEL (G0671)
51	P0672051	MACHINE ID LABEL (G0672)
51	P0673051	MACHINE ID LABEL (G0673)
52	P0671052	GRIZZLY NAMEPLATE (G0671, G0672)
52	P0673052	GRIZZLY NAMEPLATE (G0673)
53	P0671053	EAR PROTECTION 2" X 3-5/16"H
54	P0671054	GLASSES/RESPIRATOR
55	P0671055	READ MANUAL-VERTICAL NS 7/05
56	P0671056	GRIZZLY GREEN TOUCH-UP PAINT

## ⚠️ WARNING

Safety labels warn about machine hazards and ways to prevent injury. The owner of this machine **MUST** maintain the original location and readability of the labels on the machine. If any label is removed or becomes unreadable, **REPLACE** that label before using the machine again. Contact Grizzly at (800) 523-4777 or [www.grizzly.com](http://www.grizzly.com) to order new labels.

