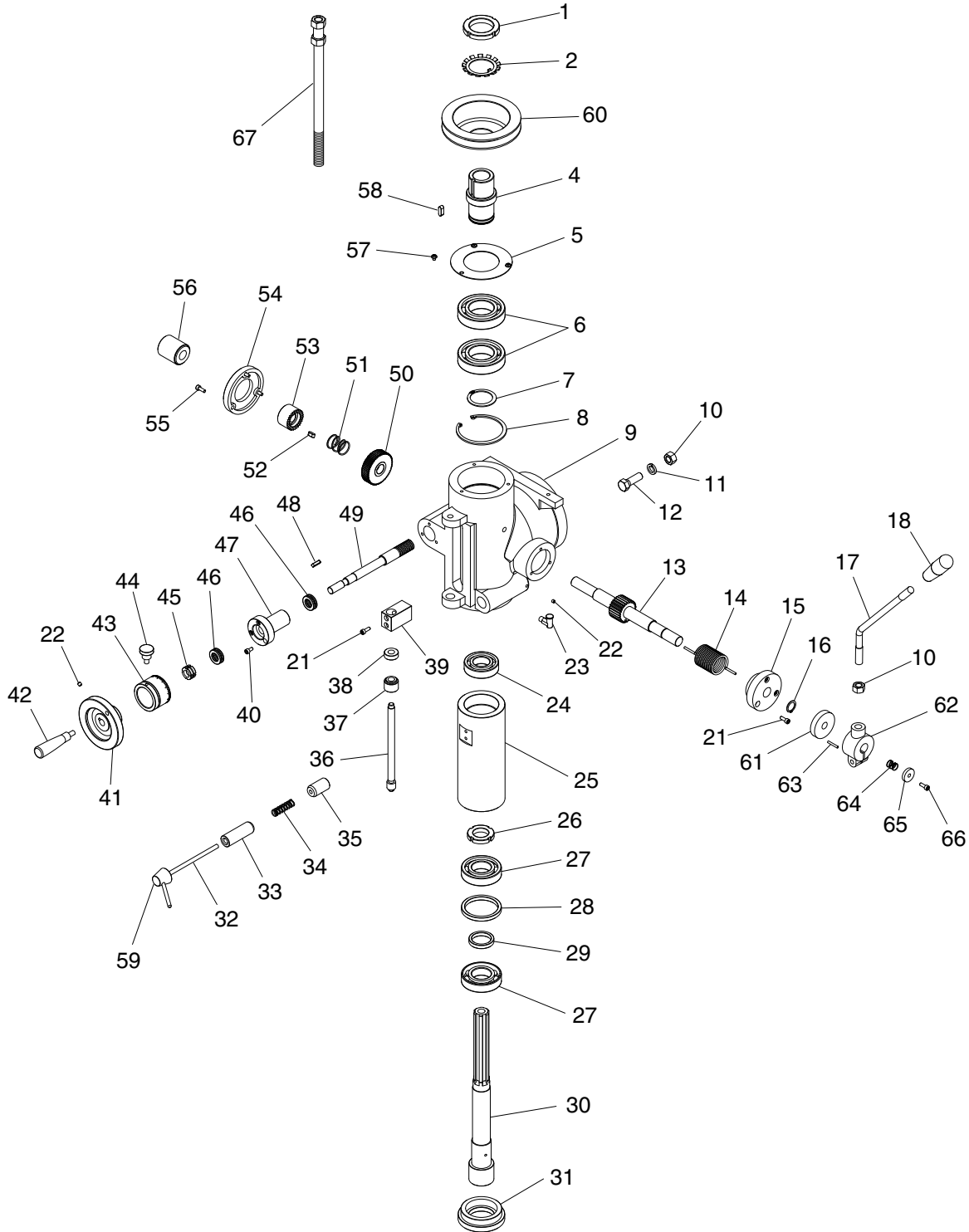


SECTION 9: PARTS

We do our best to stock replacement parts when possible, but we cannot guarantee that all parts shown are available for purchase. Call (800) 523-4777 or visit www.grizzly.com/parts to check for availability.

Head



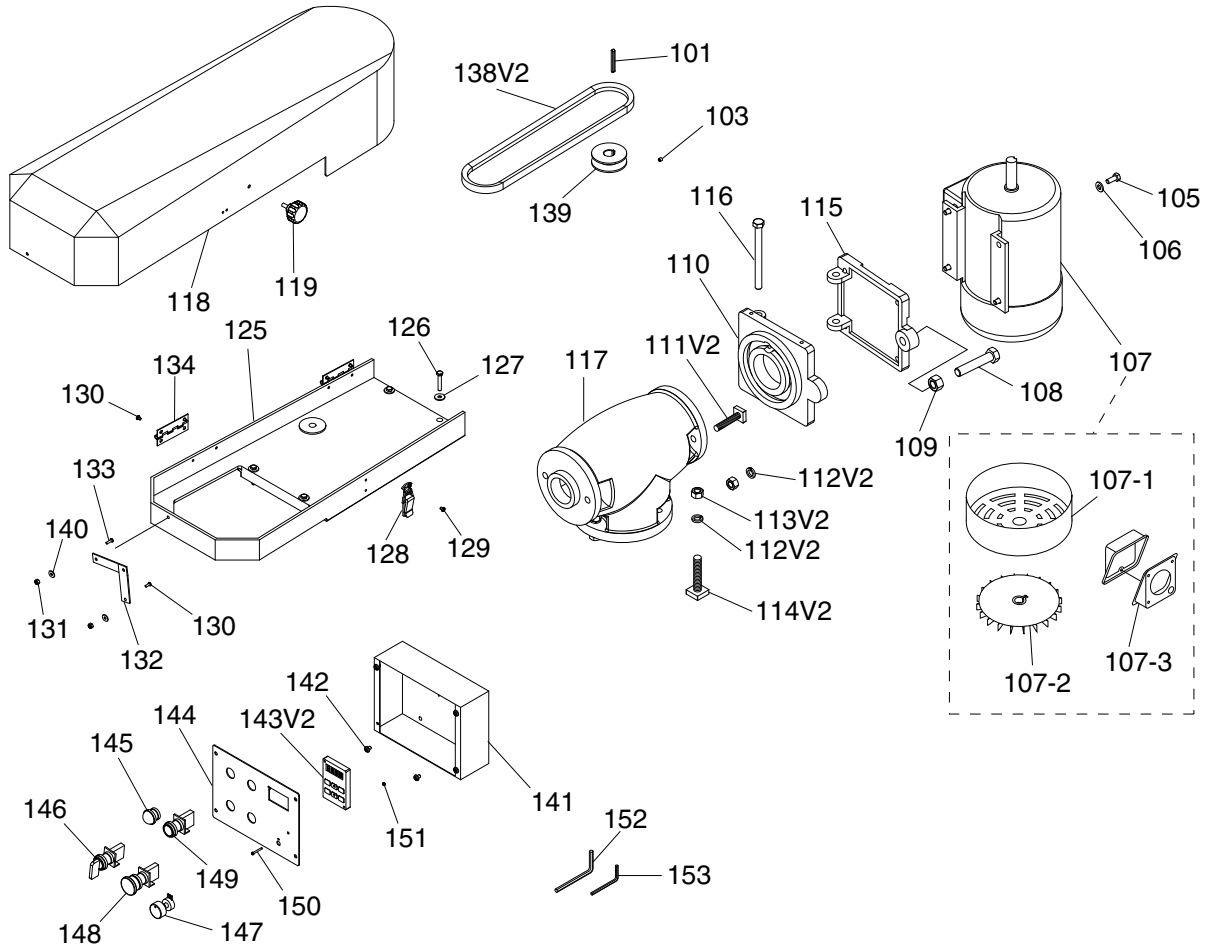
Head Parts List

REF	PART #	DESCRIPTION
1	P0678001	SPANNER NUT
2	P0678002	SPANNER LOCK WASHER
4	P0678004	SPLINE SLEEVE
5	P0678005	BEARING COVER
6	P0678006	BALL BEARING 6209ZZ
7	P0678007	EXT RETAINING RING 45MM
8	P0678008	INT RETAINING RING 85MM
9	P0678009	HEAD CASTING
10	P0678010	HEX NUT 1/2-13
11	P0678011	LOCK WASHER 1/2
12	P0678012	HEX BOLT 1/2-13 X 1-1/2
13	P0678013	GEAR SHAFT
14	P0678014	TORSION SPRING
15	P0678015	END CAP
16	P0678016	EXT RETAINING RING 19MM
17	P0678017	COARSE DOWNFEED HANDLE
18	P0678018	KNOB
21	P0678021	CAP SCREW M5-.8 X 16
22	P0678022	SET SCREW M6-1 X 8
23	P0678023	OIL CUP
24	P0678024	BALL BEARING 6206ZZ
25	P0678025	QUILL
26	P0678026	SPANNER NUT
27	P0678027	ANGULAR CONTACT BEARING 7207
28	P0678028	BEARING SPACER LARGE
29	P0678029	BEARING SPACER SMALL
30	P0678030	SPINDLE
31	P0678031	SPINDLE COLLAR
32	P0678032	LOCK SHAFT
33	P0678033	LOCK PLUNGER LARGE
34	P0678034	COMPRESSION SPRING
35	P0678035	LOCK PLUNGER SMALL

REF	PART #	DESCRIPTION
36	P0678036	DOWNFEED SCREW
37	P0678037	DOWNFEED LOCK RING
38	P0678038	DOWNFEED STOP RING
39	P0678039	QUILL DOG
40	P0678040	PHLP HD SCR M5-.8 X 15
41	P0678041	FINE DOWNFEED HANDWHEEL
42	P0678042	HANDLE
43	P0678043	GRADUATED DIAL
44	P0678044	LOCKING THUMB SCREW
45	P0678045	HEX NUT 9/16-12
46	P0678046	THRUST BEARING 51102
47	P0678047	SLEEVE
48	P0678048	KEY 5 X 5 X 20
49	P0678049	WORM SHAFT
50	P0678050	WORM
51	P0678051	COMPRESSION SPRING
52	P0678052	KEY 6 X 6 X 15
53	P0678053	BUSHING
54	P0678054	END CAP
55	P0678055	PHLP HD SCR M5-.8 X 10
56	P0678056	KNURLED KNOB
57	P0678057	PHLP HD SCR M5-.8 X 8
58	P0678058	SPECIAL KEY
59	P0678059	LOCK HANDLE
60	P0678060	SPINDLE PULLEY
61	P0678061	SPACER
62	P0678062	HANDLE HUB
63	P0678063	STOP PIN
64	P0678064	COMPRESSION SPRING
65	P0678065	FLAT WASHER 5MM
66	P0678066	CAP SCREW M5-.8 X 25
67	P0678067	DRAWBAR 7/16-20 X 12-3/8



Drive System

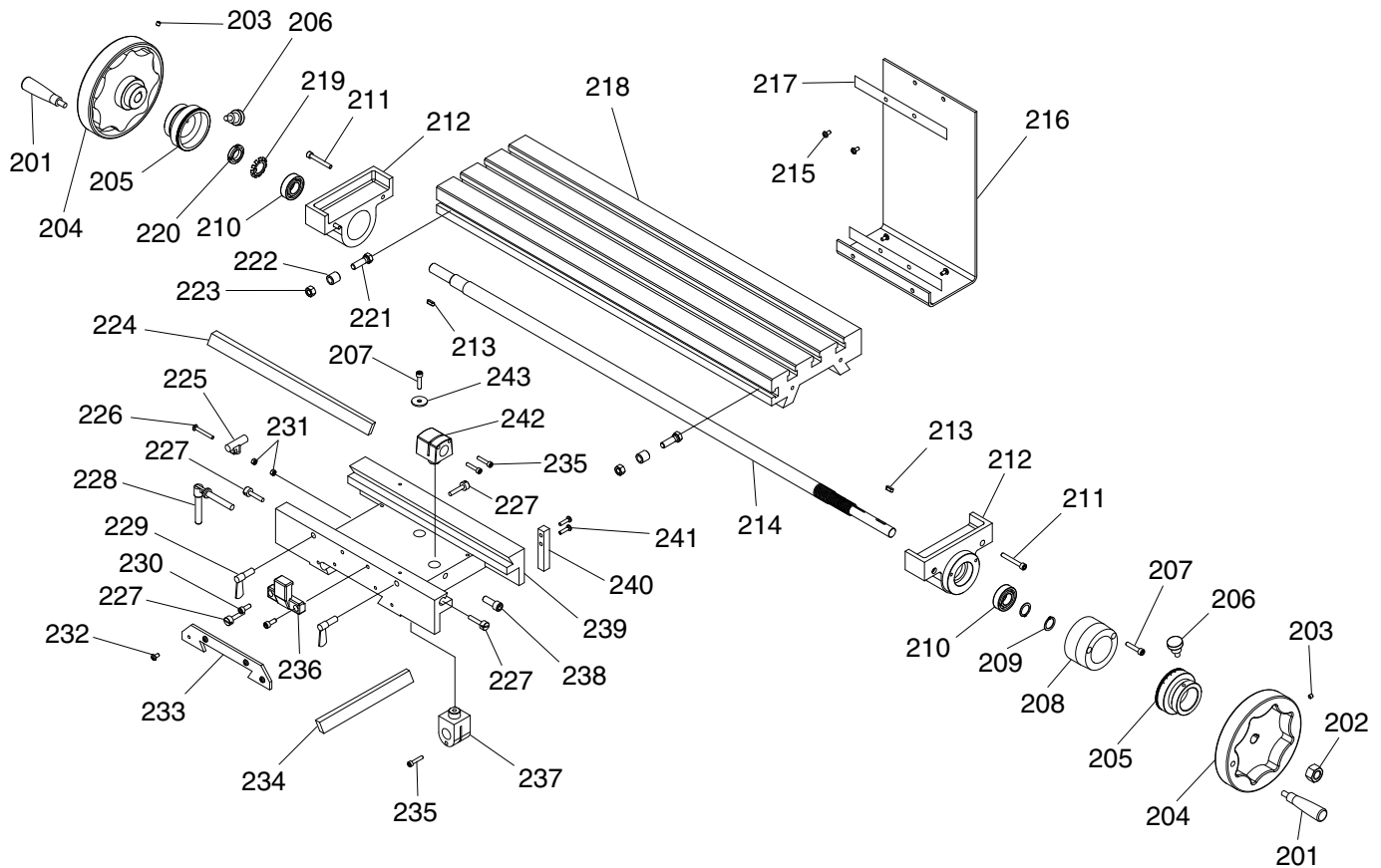


REF	PART #	DESCRIPTION
101	P0678101	KEY 5 X 5 X 40
103	P0678103	SET SCREW M6-1 X 8
105	P0678105	CAP SCREW M8-1.25 X 20
106	P0678106	FLAT WASHER 8MM
107	P0678107	MOTOR 1-1/2HP 220V 3-PH
107-1	P0678107-1	MOTOR FAN COVER
107-2	P0678107-2	MOTOR FAN
107-3	P0678107-3	MOTOR WIRING JUNCTION BOX
108	P0678108	HEX BOLT M16-2 X 75
109	P0678109	HEX NUT M16-2
110	P0678110	MOTOR BRACKET
111V2	P0678111V2	SQUARE BOLT M12-1.75 X 40 V2.01.17
112V2	P0678112V2	LOCK WASHER 12MM V2.01.17
113V2	P0678113V2	HEX NUT M12-1.75 V2.01.17
114V2	P0678114V2	SQUARE BOLT M12-1.75 X 45 V2.01.17
115	P0678115	MOTOR MOUNT
116	P0678116	PIVOT BOLT
117	P0678117	TURRET
118	P0678118	UPPER BELT COVER
119	P0678119	STAR KNOB
125	P0678125	LOWER BELT COVER
126	P0678126	HEX BOLT M6-1 X 35
127	P0678127	FLAT WASHER 6MM

REF	PART #	DESCRIPTION
128	P0678128	LATCH
129	P0678129	PHLP HD SCR M3-.5 X 8
130	P0678130	PHLP HD SCR M5-.8 X 8
131	P0678131	HEX NUT M5-.8
132	P0678132	BRACE
133	P0678133	PHLP HD SCR M5-.8 X 10
134	P0678134	HINGE
138V2	P0678138V2	V-BELT B-60 V2.06.15
139	P0678139	MOTOR PULLEY
140	P0678140	FLAT WASHER 5MM
141	P0678141	CONTROL BOX
142	P0678142	PHLP HD SCR M6-1 X 16
143V2	P0678143V2	SPINDLE SPEED READOUT V2.01.21
144	P0678144	CONTROL PANEL
145	P0678145	POWER LIGHT
146	P0678146	ON BUTTON
147	P0678147	SPEED DIAL
148	P0678148	STOP BUTTON
149	P0678149	DIRECTION SWITCH
150	P0678150	PHLP HD SCR M3-.5 X 25
151	P0678151	HEX NUT M3-.5
152	P0678152	HEX WRENCH 5MM
153	P0678153	HEX WRENCH 4MM



Table & Saddle

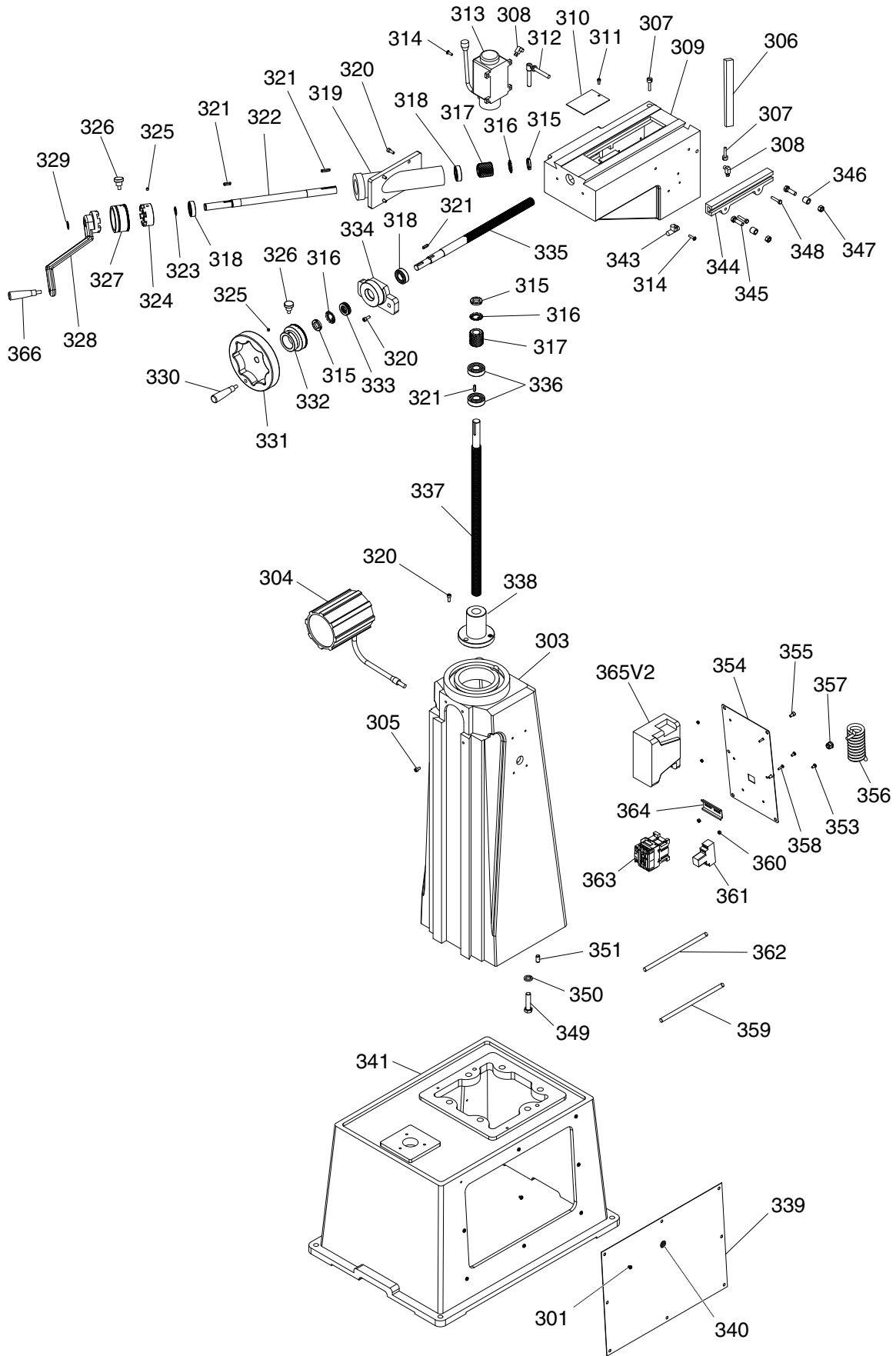


REF	PART #	DESCRIPTION
201	P0678201	HANDLE
202	P0678202	HEX NUT 5/8-11
203	P0678203	SET SCREW M6-1 X 8
204	P0678204	HANDWHEEL
205	P0678205	GRADUATED DIAL
206	P0678206	LOCKING THUMB SCREW
207	P0678207	CAP SCREW M6-1 X 25
208	P0678208	COLLAR
209	P0678209	EXT RETAINING RING 20MM
210	P0678210	BALL BEARING 6004ZZ
211	P0678211	CAP SCREW M6-1 X 45
212	P0678212	LEADSCREW BRACKET
213	P0678213	KEY 5 X 5 X 20
214	P0678214	LONGITUDINAL LEADSCREW
215	P0678215	PHLP HD SCR M6-1 X 8
216	P0678216	REAR WAY COVER
217	P0678217	WAY COVER HOLDER
218	P0678218	TABLE
219	P0678219	SPANNER NUT WASHER
220	P0678220	SPANNER NUT
221	P0678221	HEX BOLT M10-1.5 X 30
222	P0678222	LIMIT STOP

REF	PART #	DESCRIPTION
223	P0678223	HEX NUT M10-1.5
224	P0678224	TABLE GIB
225	P0678225	LIMIT BLOCK
226	P0678226	PHLP HD SCR M5-.8 X 30
227	P0678227	GIB ADJUSTMENT SCREW
228	P0678228	SADDLE LOCKING SCREW
229	P0678229	TABLE LOCKING SCREW
230	P0678230	CAP SCREW M6-1 X 16
231	P0678231	HEX NUT M5-.8
232	P0678232	PHLP HD SCR M5-.8 X 10
233	P0678233	WAY WIPER
234	P0678234	SADDLE GIB
235	P0678235	CAP SCREW M5-.8 X 25
236	P0678236	LIMIT BLOCK
237	P0678237	CROSS LEADSCREW NUT
238	P0678238	CAP SCREW M8-1.25 X 25
239	P0678239	SADDLE
240	P0678240	STOP BLOCK
241	P0678241	PHLP HD SCR M5-.8 X 20
242	P0678242	LONGITUDINAL LEADSCREW NUT
243	P0678243	FLAT WASHER 6MM



Knee & Base



Knee & Base Parts List

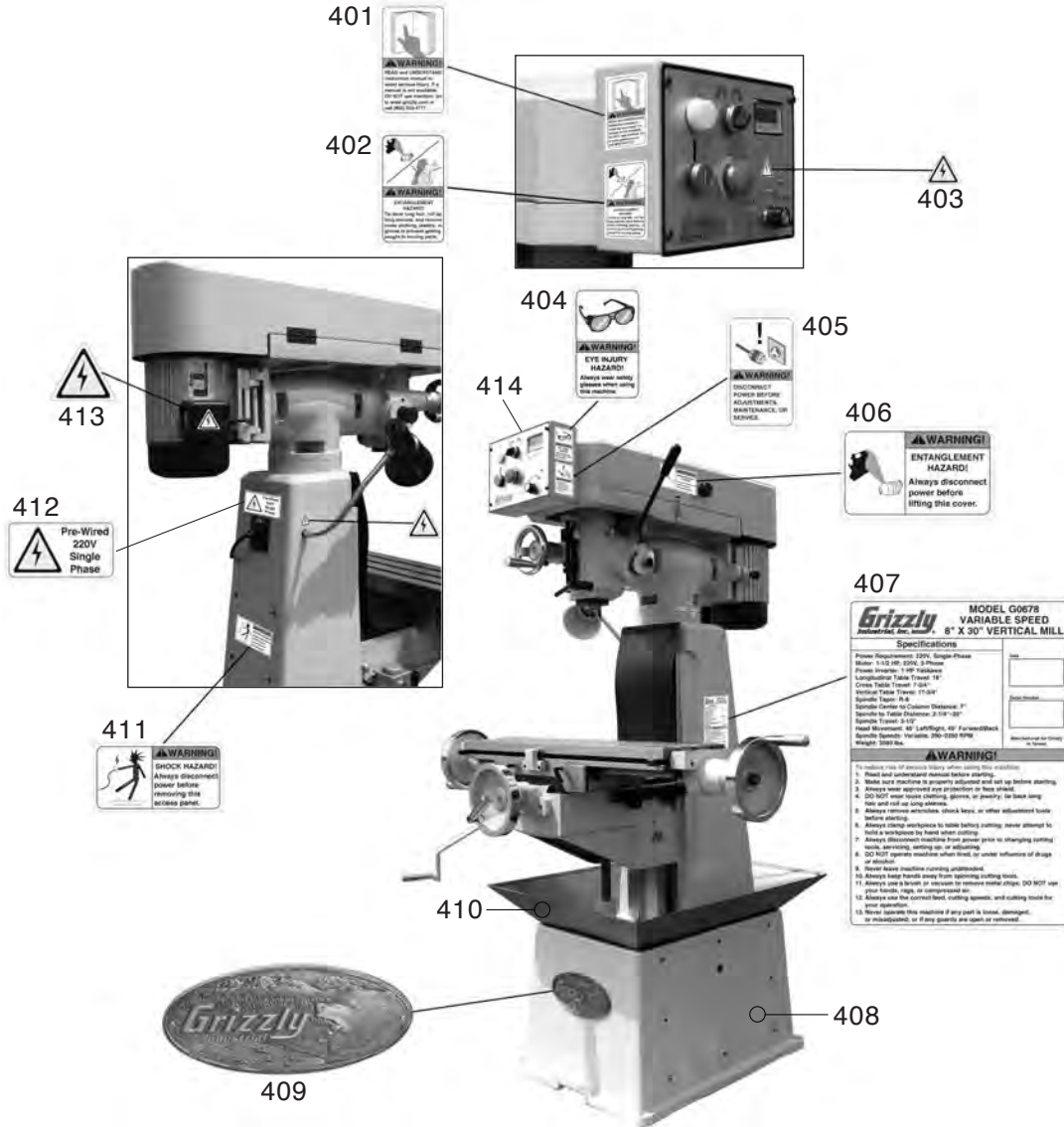
REF	PART #	DESCRIPTION
301	P0678301	PHLP HD SCR M6-1 X 10
303	P0678303	COLUMN
304	P0678304	WORK LIGHT ASSEMBLY 110V
305	P0678305	CAP SCREW M6-1 X 8
306	P0678306	KNEE GIB
307	P0678307	GIB ADJUSTMENT SCREW
308	P0678308	OIL JOINT
309	P0678309	KNEE
310	P0678310	CHIP GUARD
311	P0678311	PHLP HD SCR M3-.5 X 6
312	P0678312	KNEE LOCKING SCREW
313	P0678313	ONE-SHOT OILER
314	P0678314	PHLP HD SCR M5-.8 X 15
315	P0678315	SPANNER NUT
316	P0678316	SPANNER NUT WASHER
317	P0678317	BEVEL GEAR
318	P0678318	BALL BEARING 6004ZZ
319	P0678319	VERTICAL CRANK HOUSING
320	P0678320	CAP SCREW M6-1 X 16
321	P0678321	KEY 5 X 5 X 20
322	P0678322	VERTICAL CRANK SHAFT
323	P0678323	EXT RETAINING RING 20MM
324	P0678324	CLUTCH
325	P0678325	SET SCREW M6-1 X 8
326	P0678326	LOCKING THUMB SCREW
327	P0678327	GRADUATED DIAL
328	P0678328	CRANK HANDLE
329	P0678329	EXT RETAINING RING 18MM
330	P0678330	HANDLE
331	P0678331	HANDWHEEL
332	P0678332	GRADUATED DIAL
333	P0678333	THRUST BEARING 51104

REF	PART #	DESCRIPTION
334	P0678334	BEARING HOUSING
335	P0678335	CROSS FEED LEADSCREW
336	P0678336	BALL BEARING 6204ZZ
337	P0678337	VERTICAL LEADSCREW
338	P0678338	LEADSCREW BASE
339	P0678339	BASE SIDE COVER
340	P0678340	PLUG
341	P0678341	BASE
343	P0678343	LIMIT BLOCK
344	P0678344	LIMIT TRACK
345	P0678345	HEX BOLT M10-1.5 X 30
346	P0678346	LIMIT STOP
347	P0678347	HEX NUT M10-1.5
348	P0678348	HEX BOLT M6-1 X 30
349	P0678349	HEX BOLT 1/2-13 X 2
350	P0678350	LOCK WASHER 1/2
351	P0678351	PIN 10 X 20
353	P0678353	PHLP HD SCR 10-24 X 1/2
354	P0678354	COLUMN ACCESS PANEL
355	P0678355	PHLP HD SCR M6-1 X 8
356	P0678356	POWER CORD 12-GA 3-WIRE 86"
357	P0678357	STRAIN RELIEF
358	P0678358	PHLP HD SCR 10-24 X 3/4
359	P0678359	CABLE 3-WIRE
360	P0678360	HEX NUT 10-24
361	P0678361	RELAY ARITA MR20 220V
362	P0678362	CABLE 4-WIRE
363	P0678363	CONTACTOR NHD C-12D
364	P0678364	MOUNTING TRACK
365V2	P0678365V2	INVERTER RHYME RM6S2 1-PH 200V V2.01.21
366	P0678366	HANDLE
367	P0678367	SPLASH PAN *

*Not Shown



Labels & Cosmetics



REF	PART #	DESCRIPTION
401	P0678401	READ MANUAL LABEL
402	P0678402	ENTANGLEMENT HAZARD LABEL
403	P0678403	ELECTRICITY LABEL
404	P0678404	EYE INJURY HAZARD LABEL
405	P0678405	DISCONNECT POWER LABEL 220V
406	P0678406	COVER ENTANGLEMENT LABEL
407	P0678407	MACHINE ID LABEL

REF	PART #	DESCRIPTION
408	P0678408	TOUCH-UP PAINT, GRIZZLY PUTTY
409	P0678409	GRIZZLY NAMEPLATE
410	P0678410	TOUCH-UP PAINT, GRIZZLY GREEN
411	P0678411	SHOCK HAZARD LABEL
412	P0678412	PRE-WIRED 220V LABEL
413	P0678413	ELECTRICITY LABEL
414	P0678414	CONTROL PANEL LABEL

WARNING

Safety labels help reduce the risk of serious injury caused by machine hazards. If any label comes off or becomes unreadable, the owner of this machine **MUST** replace it in the original location before resuming operations. For replacements, contact (800) 523-4777 or www.grizzly.com.

