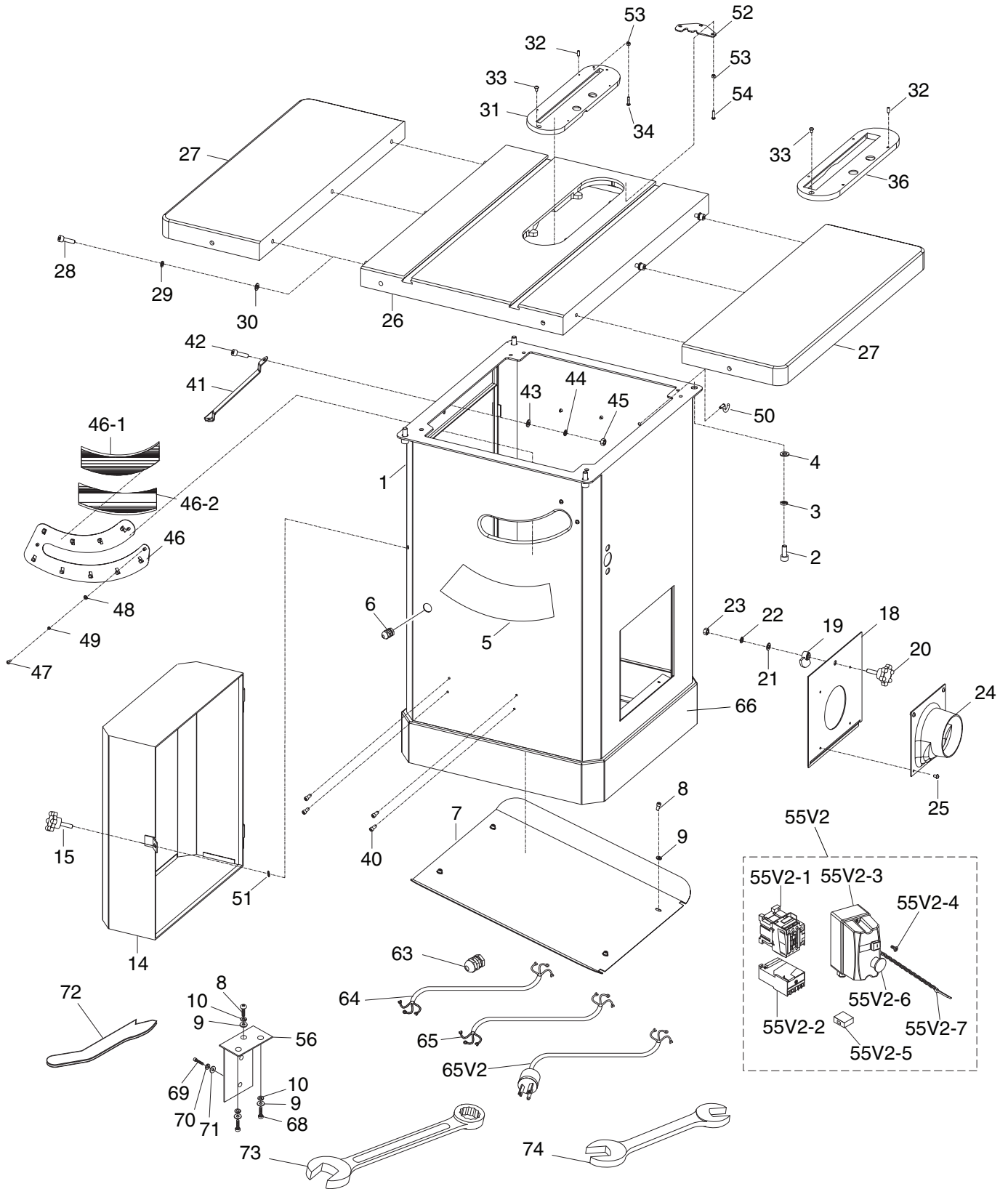


SECTION 10: PARTS

Body



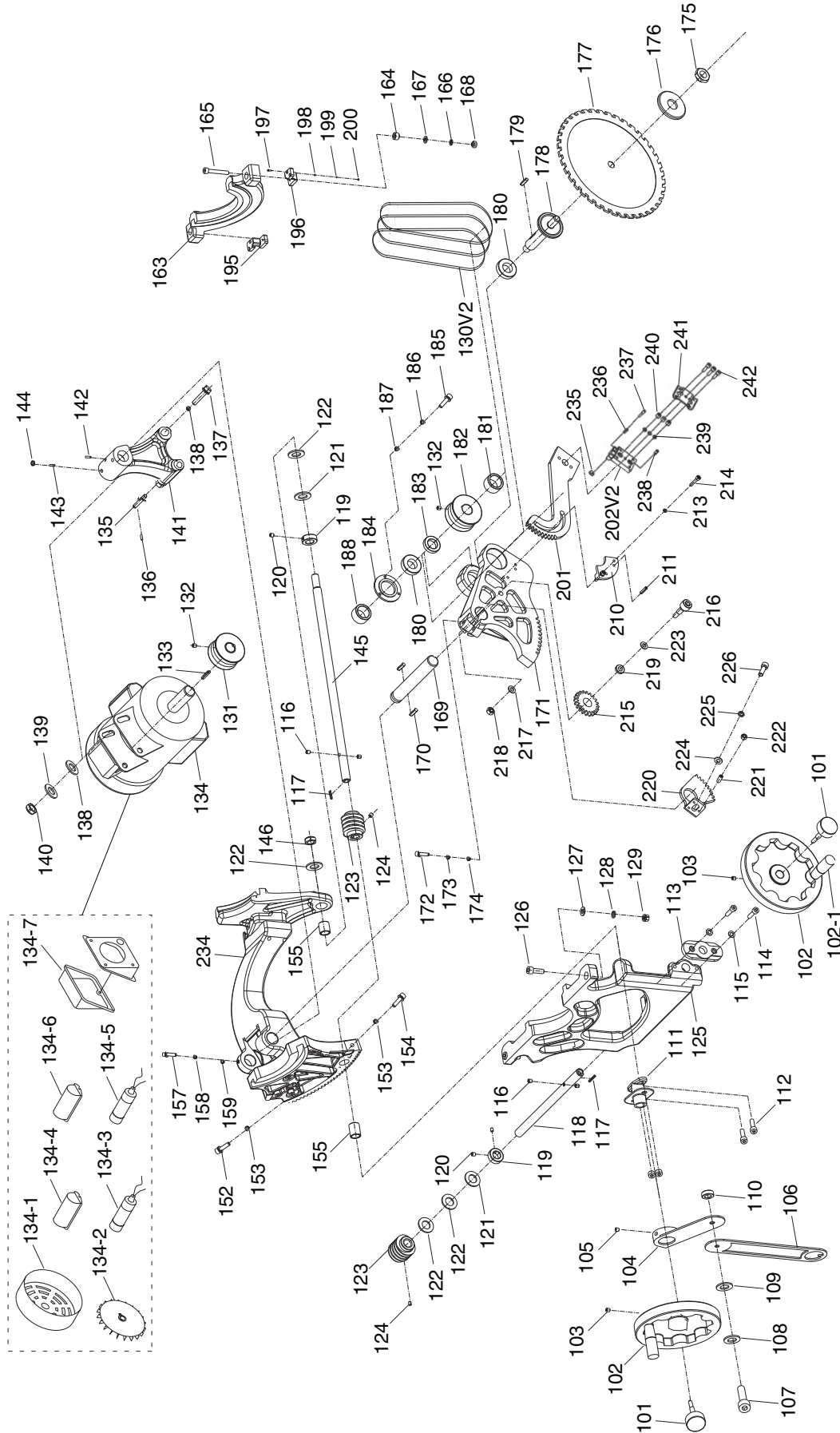
Body Parts List

REF	PART #	DESCRIPTION
1	P0690001	CABINET
2	P0690002	CAP SCREW M10-1.25 X 25
3	P0690003	LOCK WASHER 10MM
4	P0690004	FLAT WASHER 10MM
5	P0690005	ANGLE SCALE
6	P0690006	STRAIN RELIEF
7	P0690007	CABINET PLATE
8	P0690008	PHLP HD SCR M6-1 X 12
9	P0690009	FLAT WASHER 6MM
10	P0690010	LOCK WASHER 6MM
14	P0690014	MOTOR COVER
15	P0690015	KNOB M6-1
18	P0690018	CLEANOUT DOOR
19	P0690019	DOOR LATCH
20	P0690020	KNOB M8-1.25
21	P0690021	FLAT WASHER 8MM
22	P0690022	LOCK WASHER 8MM
23	P0690023	HEX NUT M8-1.25
24	P0690024	DUST HOOD
25	P0690025	PHLP HD SCR M5-.8 X 8
26	P0690026	TABLE
27	P0690027	EXTENSION WING
28	P0690028	CAP SCREW M8-1.25 X 30
29	P0690029	LOCK WASHER 8MM
30	P0690030	FLAT WASHER 8MM
31	P0690031	STD TABLE INSERT
32	P0690032	SET SCREW M5-.8 X 12
33	P0690033	PHLP HD SCR M5-.8 X 12
34	P0690034	PHLP HD SCR M5-.8 X 20
36	P0690036	DADO TABLE INSERT
40	P0690040	NAME PLATE RIVET
41	P0690041	SHIPPING BRACE
42	P0690042	HEX BOLT M10-1.5 X 20
43	P0690043	FLAT WASHER 10MM

REF	PART #	DESCRIPTION
44	P0690044	LOCK WASHER 10MM
45	P0690045	HEX NUT M10-1.5
46	P0690046	DUST CLIP
46-1	P0690046-1	UPPER BRUSH
46-2	P0690046-2	LOWER BRUSH
47	P0690047	PHLP HD SCR M4-.7 X 12
48	P0690048	FLAT WASHER 4MM
49	P0690049	LOCK WASHER 4MM
50	P0690050	HOOK
51	P0690051	INT TOOTH WASHER 6MM
52	P0690052	LIMIT PLATE
53	P0690053	HEX NUT M5-.8
54	P0690054	PHLP HD SCR M5-.8 X 20
55V2	P0690055V2	MAG SWITCH ASSY SIEMENS V2.06.17
55V2-1	P0690055V2-1	CONTACTOR SIEMENS 3TS32 10-0X 220V V2.06.17
55V2-2	P0690055V2-2	OL RELAY SIEMENS 3US50 40-2L 12.5-18A V2.06.17
55V2-3	P0690055V2-3	SWITCH BOX FRONT/BACK V2.06.17
55V2-4	P0690055V2-4	MAG SWITCH COVER SCREW V2.06.17
55V2-5	P0690055V2-5	ON/OFF SWITCH CHINT NP2 V2.06.17
55V2-6	P0690055V2-6	E-STOP BUTTON ANIUEC LA158-BE102 V2.06.17
55V2-7	P0690055V2-7	SWITCH DISABLING PIN 3/16 X 3-1/2 V2.06.17
56	P0690056	SWITCH BRACKET
63	P0690063	STRAIN RELIEF
64	P0690064	MOTOR CORD 14AWG X 3C
65V2	P0690065V2	POWER CORD W/PLUG V2.12.09
66	P0690066	GREEN TRIM TAPE
68	P0690068	HEX BOLT M6-1 X 12
69	P0690069	BUTTON HD CAP SCR M5-.8 X 16
70	P0690070	LOCK WASHER 5MM
71	P0690071	FLAT WASHER 5MM
72	P0690072	PUSH STICK
73	P0690073	ARBOR WRENCH 27MM COMBO
74	P0690074	ARBOR WRENCH 22 X 24MM OPEN-ENDS



Trunnion



Trunnion Parts List

REF	PART #	DESCRIPTION
101	P0690101	HANDWHEEL LOCK
102	P0690102	HANDWHEEL
102-1	P0690102-1	HANDWHEEL HANDLE
103	P0690103	SET SCREW M5-.8 X 12
104	P0690104	ANGLE POINTER-1
105	P0690105	SET SCREW M5-.8 X 6
106	P0690106	ANGLE POINTER-2
107	P0690107	CAP SCREW M6-1 X 12
108	P0690108	LOCK WASHER 6MM
109	P0690109	FLAT WASHER 6MM
110	P0690110	HEX NUT M6-1
111	P0690111	ANGLE POINTER BRACKET
112	P0690112	CAP SCREW M5-.8 X 25
113	P0690113	PLATE
114	P0690114	CAP SCREW M8-1.25 X 25
115	P0690115	LOCK WASHER 8MM
116	P0690116	PIN-LOCK-SHAFT
117	P0690117	KEY 5 X 5 X 36
118	P0690118	ANGLE SHAFT
119	P0690119	LOCK COLLAR
120	P0690120	SET SCREW M6-1 X 8
121	P0690121	WAVY WASHER 20MM
122	P0690122	COPPER WASHER 18MM
123	P0690123	WORM
124	P0690124	SET SCREW M6-1 X 10
125	P0690125	FRONT TRUNNION
126	P0690126	CAP SCREW M10-1.5 X 30
127	P0690127	FLAT WASHER 10MM
128	P0690128	LOCK WASHER 10MM
129	P0690129	HEX NUT M10-1.5
130V2	P0690130V2	BELT SPZ625LA 612LD V2
131	P0690131	MOTOR PULLEY
132	P0690132	SET SCREW M5-.8 X 12
133	P0690133	KEY 5 X 5 X 30
134	P0690134	MOTOR 3HP 220V 1-PH
134-1	P0690134-1	FAN COVER
134-2	P0690134-2	MOTOR FAN
134-3	P0690134-3	R CAP 25M 370V 1-3/4 X 3
134-4	P0690134-4	R CAPACITOR COVER
134-5	P0690134-5	S CAP 200M 250V 1-1/4 X 2-3/4
134-6	P0690134-6	S CAPACITOR COVER
134-7	P0690134-7	WIRING JUNCTION BOX
135	P0690135	ORIENTATION PIN
136	P0690136	COTTER PIN 3.5 X 35MM
137	P0690137	HEX BOLT M12-1.75 X 100
138	P0690138	FLAT WASHER 12MM

REF	PART #	DESCRIPTION
139	P0690139	LOCK WASHER 12MM
140	P0690140	HEX NUT M12-1.75
141	P0690141	MOTOR FRAME SUPPORT
142	P0690142	SET SCREW M8-1.25 X 12
143	P0690143	SET SCREW M8-1.25 X 30
144	P0690144	HEX NUT M8-1.25
145	P0690145	HIGH SHAFT
146	P0690146	LOCK NUT M18-1.5
152	P0690152	HEX BOLT M8-1.25 X 20
153	P0690153	HEX NUT M8-1.25
154	P0690154	HEX BOLT M8-1.25 X 35
155	P0690155	FLANGE CASTING SLEEVE
157	P0690157	SET SCREW M8-1.25 X 8
158	P0690158	COMPRESSION SPRING
159	P0690159	BALL
163	P0690163	REAR TRUNNION
164	P0690164	ADJUST BOLT
165	P0690165	CAP SCREW M8-1.25 X 30
166	P0690166	FLAT WASHER 8MM
167	P0690167	LOCK WASHER 8MM
168	P0690168	HEX NUT M8-1.25
169	P0690169	HIGH SHAFT
170	P0690170	KEY 6 X 6 X 50
171	P0690171	GEARED BEARING HOUSING
172	P0690172	HEX BOLT M10-1.5 X 45
173	P0690173	LOCK WASHER 10MM
174	P0690174	FLAT WASHER 10MM
175	P0690175	ARBOR NUT
176	P0690176	ARBOR FLANGE
177	P0690177	BLADE 10" 40T
178	P0690178	BLADE ARBOR
179	P0690179	KEY 5 X 5 X 30
180	P0690180	BALL BEARING 6005ZZ
181	P0690181	COLLAR BLADE ARBOR
182	P0690182	ARBOR PULLEY
183	P0690183	COLLAR BLADE ARBOR
184	P0690184	FLANGE RING
185	P0690185	PHLP HD SCR M5-.8 X 12
186	P0690186	LOCK WASHER 5MM
187	P0690187	FLAT WASHER 5MM
188	P0690188	LOCK NUT M16-1.5
195	P0690195	LEFT BRACKET
196	P0690196	RIGHT BRACKET
197	P0690197	CAP SCREW M8-1.25 X 30
198	P0690198	FLAT WASHER 8MM
199	P0690199	LOCK WASHER 8MM



Trunnion Parts List

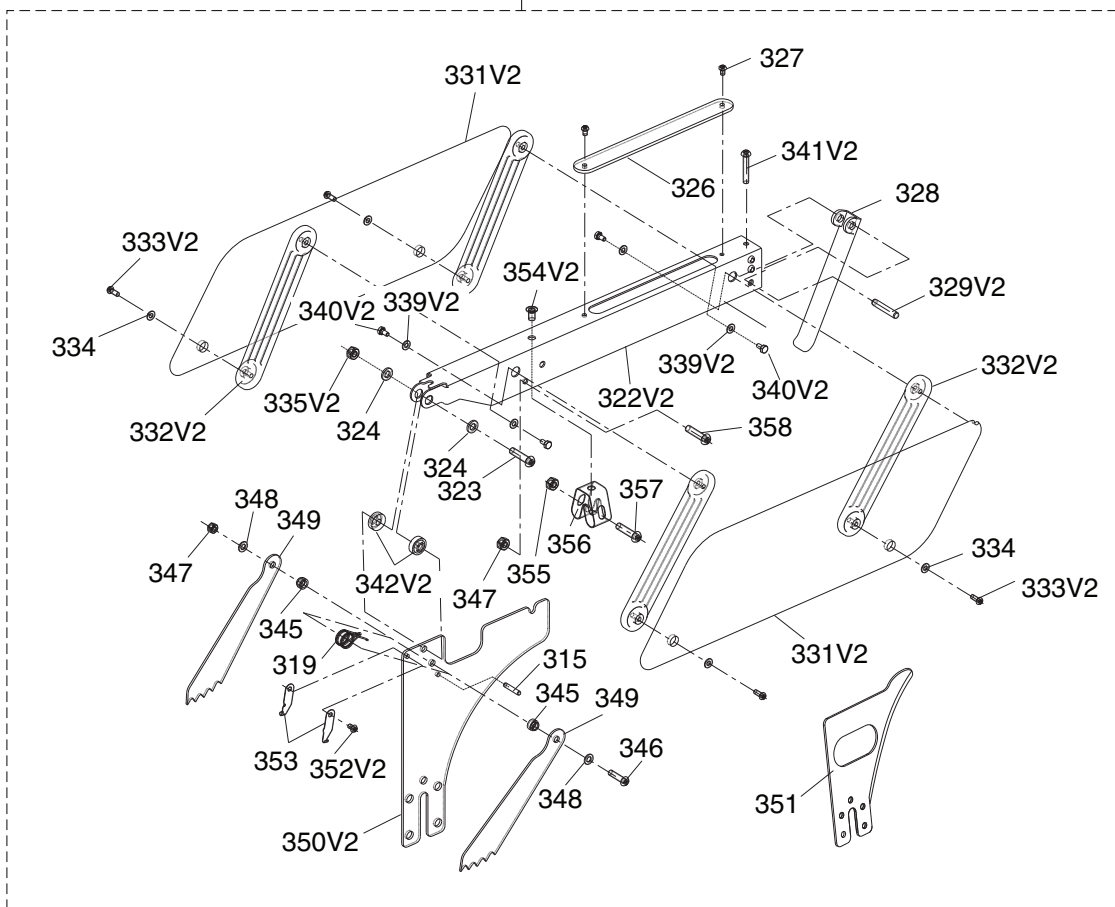
REF	PART #	DESCRIPTION
200	P0690200	HEX NUT M8-1.25
201	P0690201	BULL GEAR
202V2	P0690202V2	SPLITTER ADJUST BLOCK V2.10.15
210	P0690210	ORIENTATION BAR
211	P0690211	ROLL PIN 5 X 25
213	P0690213	LOCK WASHER 5MM
214	P0690214	CAP SCREW M5-.8 X 25
215	P0690215	GEAR
216	P0690216	CAP SCREW M10-1.5 X 40
217	P0690217	FLAT WASHER 10MM
218	P0690218	LOCK NUT M10-1.5
219	P0690219	GEAR SLEEVE
220	P0690220	PLATE GEAR
221	P0690221	SET SCREW M6-1 X 20

REF	PART #	DESCRIPTION
222	P0690222	HEX NUT M6-1
223	P0690223	FENDER WASHER 10MM
224	P0690224	FLAT WASHER 8MM
225	P0690225	LOCK WASHER 8MM
226	P0690226	CAP SCREW M8-1.25 X 20
234	P0690234	TRUNNION
235	P0690235	PIN KNOB
236	P0690236	COMPRESSION SPRING
237	P0690237	POSITION PIN SET
238	P0690238	SET SCREW M6-1 X 12
239	P0690239	LOCK WASHER 6MM
240	P0690240	SPACER
241	P0690241	SPLITTER TIGHTENING CLIP
242	P0690242	HEX BOLT M6-1 X 30



Blade Guard

301AV4

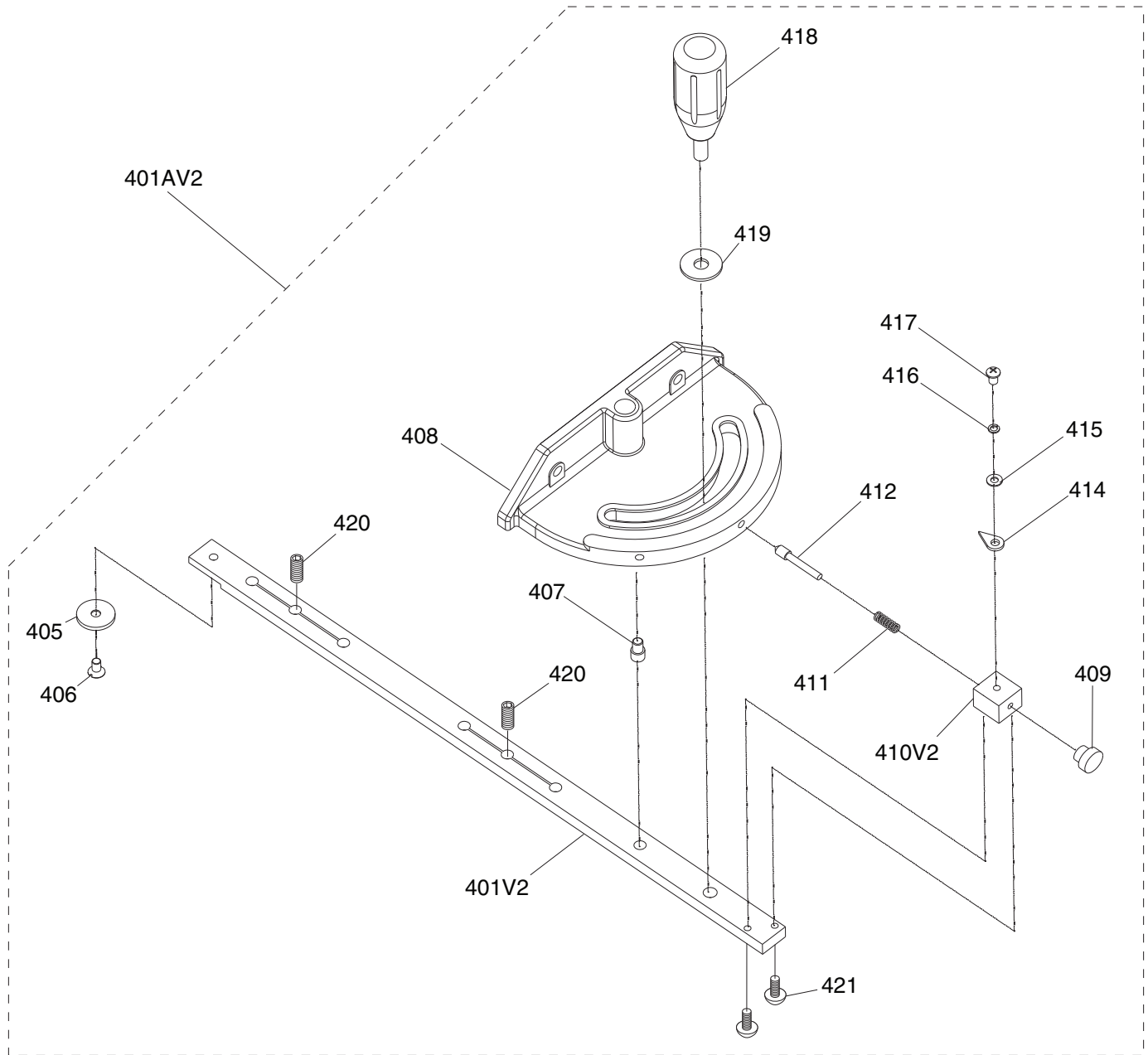


REF	PART #	DESCRIPTION
301AV4	P0690301AV4	BLADE GUARD ASSEMBLY V4.11.10
315	P0690315	ROLL PIN 4 X 20
319	P0690319	TORSION SPRING
322V2	P0690322V2	SUPPORTING ARM V2.10.10
323	P0690323	PHLP HD SCR M6-1 X 25
324	P0690324	FLAT WASHER 6MM
326	P0690326	TOP GUARD
327	P0690327	PHLP HD SCR M4-.7 X 6
328	P0690328	FRONT GUARD
329V2	P0690329V2	ROLL PIN 6 X 32
330	P0690330	SPACER
331V2	P0690331V2	SIDE GUARD V2.10.10
332V2	P0690332V2	GUARD SUPPORT V2.10.10
333V2	P0690333V2	PHLP HD SCR M4-.7 X 10
334	P0690334	FLAT WASHER 5MM
335V2	P0690335V2	LOCK NUT M6-1
339V2	P0690339V2	FLAT WASHER 5MM

REF	PART #	DESCRIPTION
340V2	P0690340V2	HEX BOLT M4-.7 X 8
341V2	P0690341V2	PHLP HD SCR M6-1 X 30
342V2	P0690342V2	SPACER V2.10.10
345	P0690345	SPACER
346	P0690346	HEX BOLT M5-.8 X 20
347	P0690347	LOCK NUT M5-.8
348	P0690348	FLAT WASHER 5MM
349	P0690349	PAWL
350V2	P0690350V2	SPLITTER V2.12.09
351	P0690351	RIVING KNIFE
352V2	P0690352V2	RIVET V2.11.10
353	P0690353	RIVING KNIFE HOOK PLATE
354V2	P0690354V2	RIVET 5 X 12MM V2.11.10
355	P0690355	LOCK NUT M6-1
356	P0690356	GUARD CLAMP
357	P0690357	PHLP HD SCR M6-1 X 35
358	P0690358	HEX BOLT M5-.8 X 8



Miter Gauge

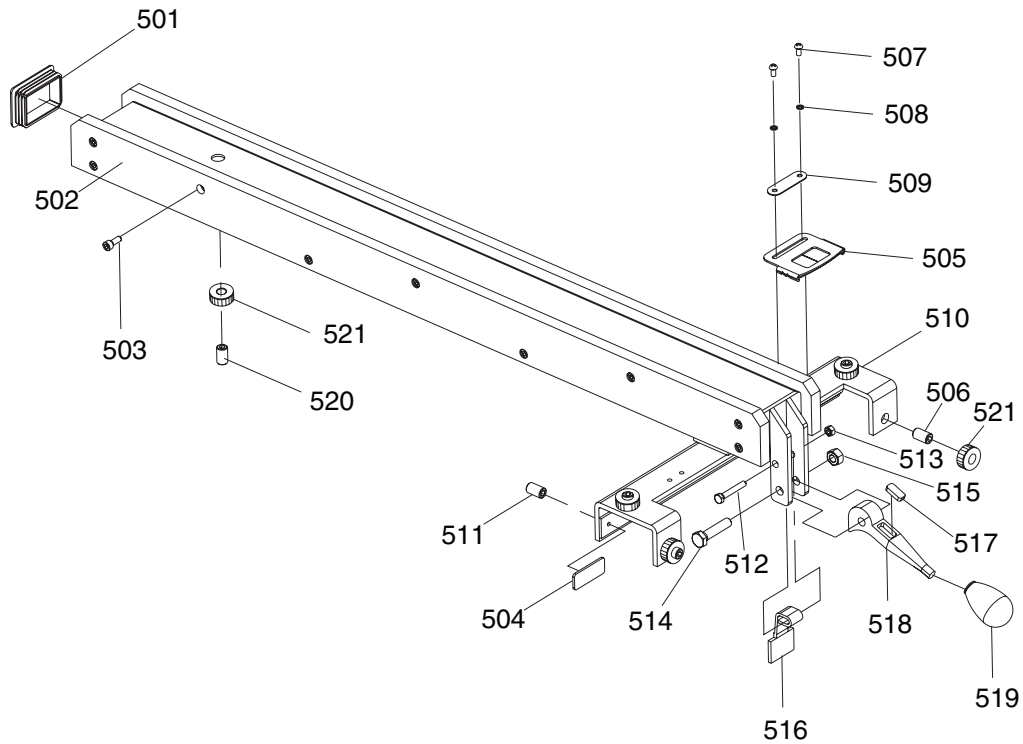


REF	PART #	DESCRIPTION
401AV2	P0690401AV2	MITER GAUGE ASSEMBLY V2.10.15
401V2	P0690401V2	MITER BAR V2.10.15
405	P0690405	MITER RING
406	P0690406	FLAT HD SCR M5-.8 X 8
407	P0690407	MITER BODY PIVOT PIN
408	P0690408	MITER GAUGE BODY
409	P0690409	MITER STOP PIN KNOB
410V2	P0690410V2	MITER STOP PIN BLOCK V2.10.15
411	P0690411	COMPRESSION SPRING

REF	PART #	DESCRIPTION
412	P0690412	MITER STOP PIN
414	P0690414	POINTER MITER GAUGE
415	P0690415	FLAT WASHER 4MM
416	P0690416	LOCK WASHER 4MM
417	P0690417	PHLP HD SCR M4-.7 X 8
418	P0690418	MITER KNOB
419	P0690419	FENDER WASHER 8MM
420	P0690420	SET SCREW M8-1.25 X 6
421	P0690421	BUTTON HD CAP SCR M4-.7 X 10



Fence

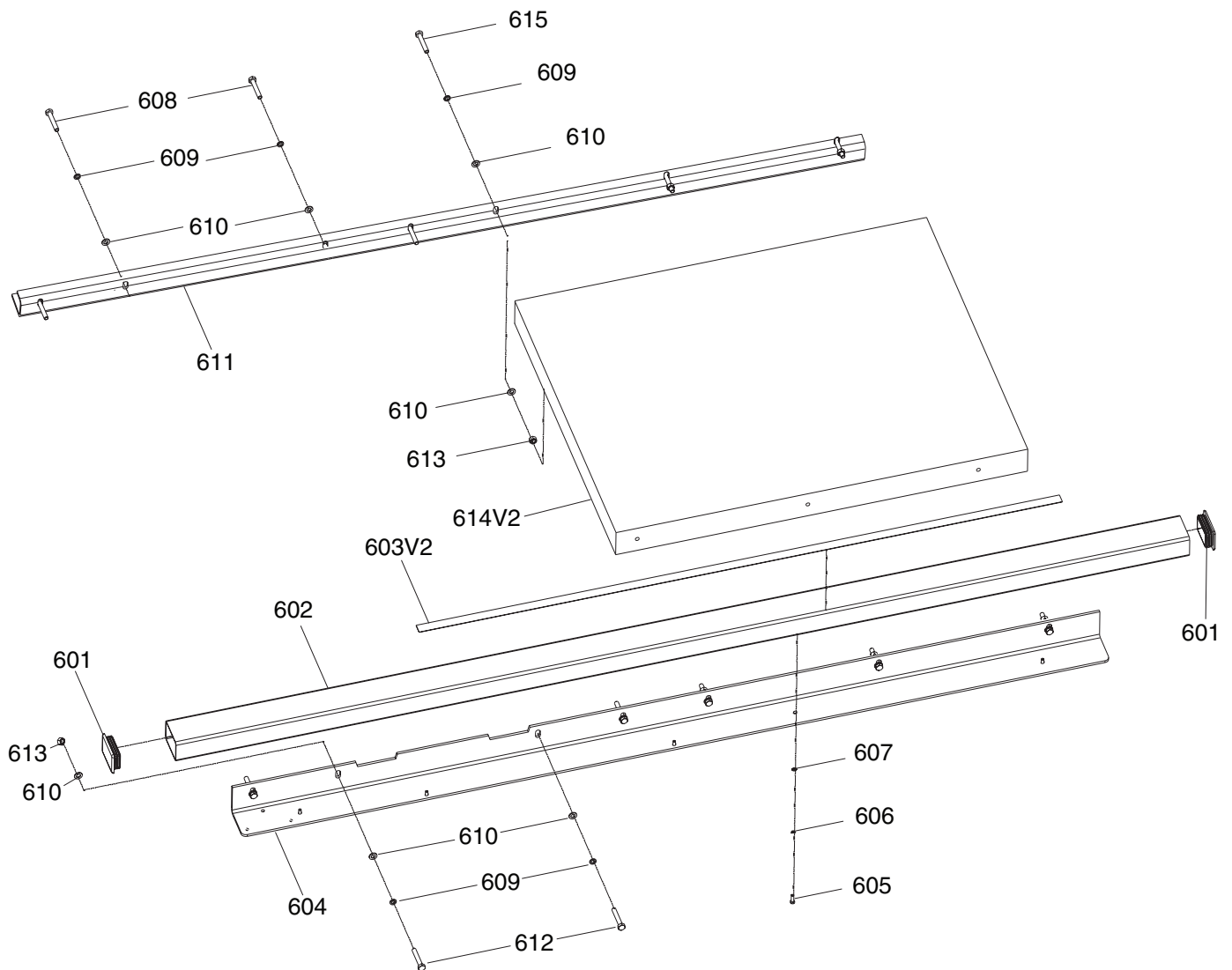


REF	PART #	DESCRIPTION
501	P0690501	FENCE INSERT
502	P0690502	FENCE FACE
503	P0690503	CAP SCREW M6-1 X 16
504	P0690504	GLIDE PAD
505	P0690505	FENCE SCALE WINDOW
506	P0690506	SET SCREW M12-1.75 X 15
507	P0690507	PHLP HD SCR M5-.8 X 10
508	P0690508	LOCK WASHER 5MM
509	P0690509	INDICATOR
510	P0690510	FENCE BODY
511	P0690511	SET SCREW

REF	PART #	DESCRIPTION
512	P0690512	HEX BOLT M6-1 X 40
513	P0690513	LOCK NUT M6-1
514	P0690514	HEX BOLT M10-1.5 X 45
515	P0690515	LOCK NUT M10-1.25
516	P0690516	CAM FOOT
517	P0690517	MAGNET
518	P0690518	CAM
519	P0690519	FENCE LOCK KNOB
520	P0690520	BRASS GLIDE SCREW M12-1.75 X 30
521	P0690521	SPECIAL LOCKING NUT M12-1.75



Extension Table (G0690)

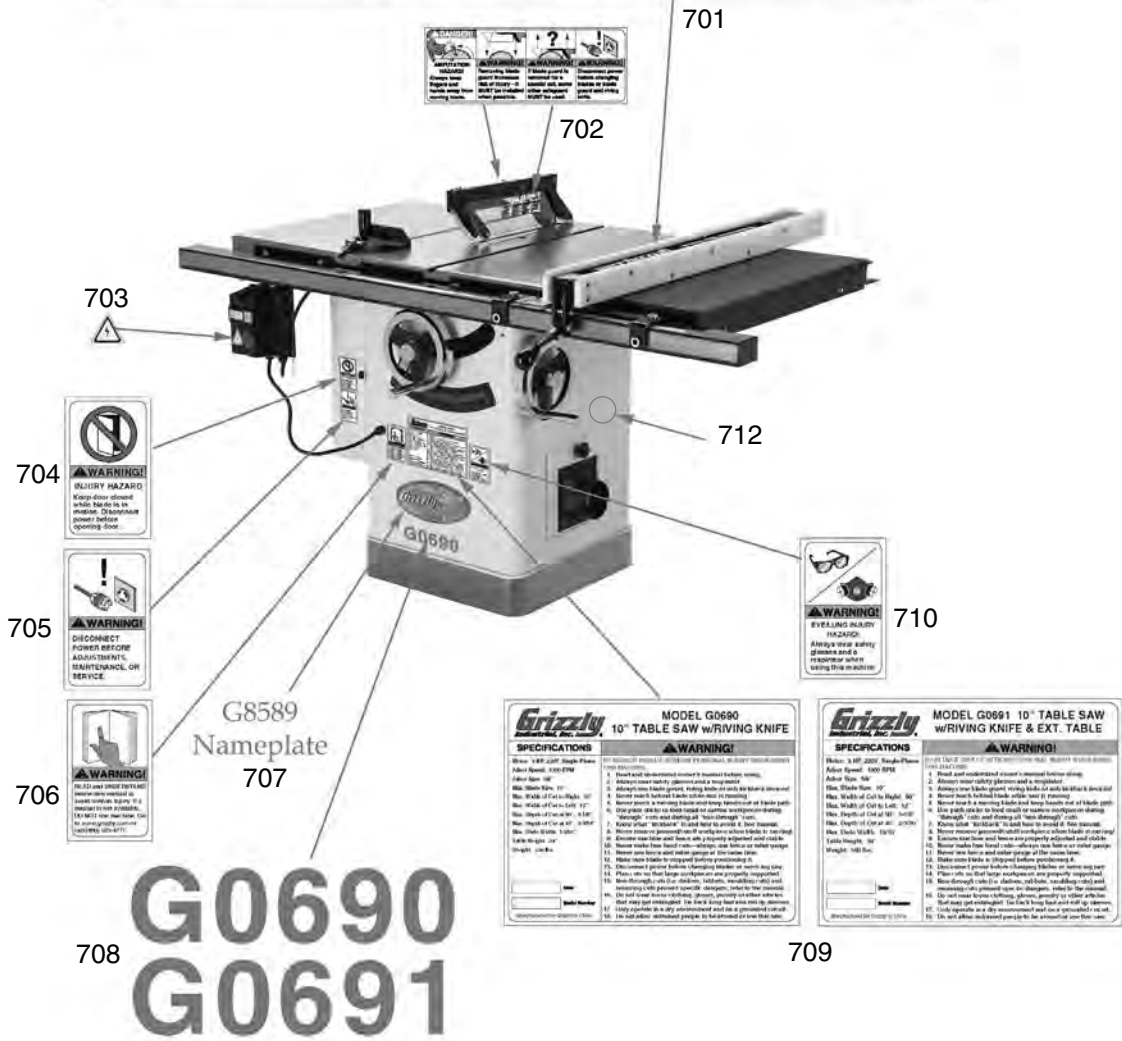


REF	PART #	DESCRIPTION
601	P0690601	FENCE INSERT
602	P0690602	GUIDE TUBE
603V2	P0690603V2	SCALE V2.04.11
604	P0690604	FRONT RAIL
605	P0690605	CAP SCREW M6-1 X 16
606	P0690606	LOCK WASHER 6MM
607	P0690607	FLAT WASHER 6MM
608	P0690608	HEX BOLT 5/16-18 X 1-1/2

REF	PART #	DESCRIPTION
609	P0690609	LOCK WASHER 8MM
610	P0690610	FLAT WASHER 8MM
611	P0690611	REAR RAIL
612	P0690612	HEX BOLT M8-1.25 X 40
613	P0690613	HEX NUT M8-1.25
614V2	P0690614V2	TABLE BOARD V2.11.13
615	P0690615	HEX BOLT M8-1.25 X 30



Labels and Cosmetics



REF	PART #	DESCRIPTION
701	P0690701	FENCE LABEL
702	P0690702	GUARD LABEL
703	P0690703	ELECTRICITY LABEL
704	P0690704	KEEP CLOSED LABEL
705	P0690705	UNPLUG POWER LABEL
706	P0690706	READ MANUAL LABEL
707	P0690707	GRIZZLY NAMEPLATE

REF	PART #	DESCRIPTION
708	P0690708	MODEL # LABEL G0690
708	P0691708	MODEL # LABEL G0691
709	P0690709	MACHINE ID LABEL G0690
709	P0691709	MACHINE ID LABEL G0691
710	P0690710	GLASSES RESPIRATOR LABEL
712	P0690712	"PUTTY" PAINT

⚠ WARNING

Safety labels warn about machine hazards and ways to prevent injury. The owner of this machine **MUST** maintain the original location and readability of the labels on the machine. If any label is removed or becomes unreadable, **REPLACE** that label before using the machine again. Contact Grizzly at (800) 523-4777 or www.grizzly.com to order new labels.

