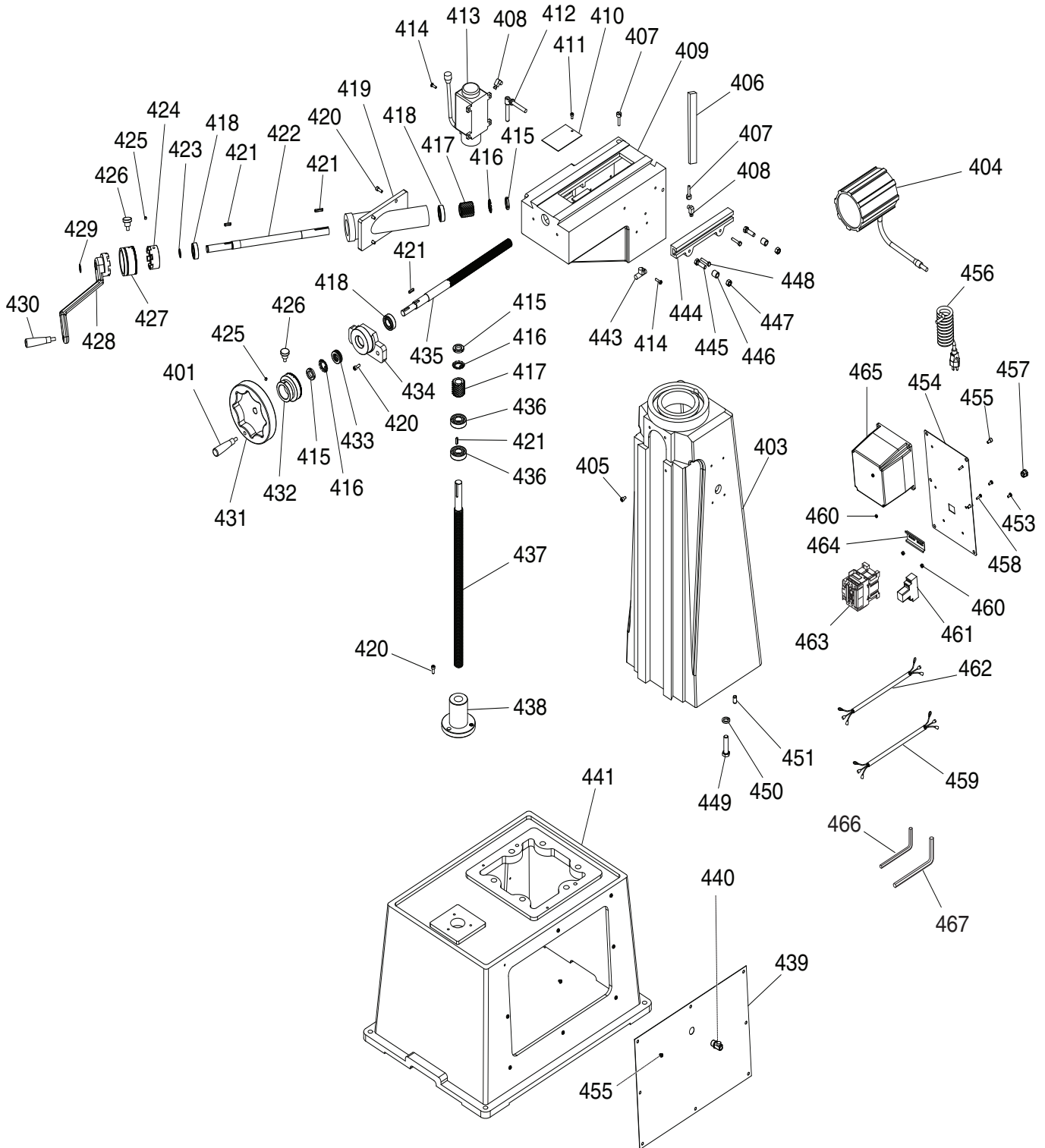


# SECTION 9: PARTS

We do our best to stock replacement parts when possible, but we cannot guarantee that all parts shown are available for purchase. Call (800) 523-4777 or visit [www.grizzly.com/parts](http://www.grizzly.com/parts) to check for availability.

## Base, Column & Knee



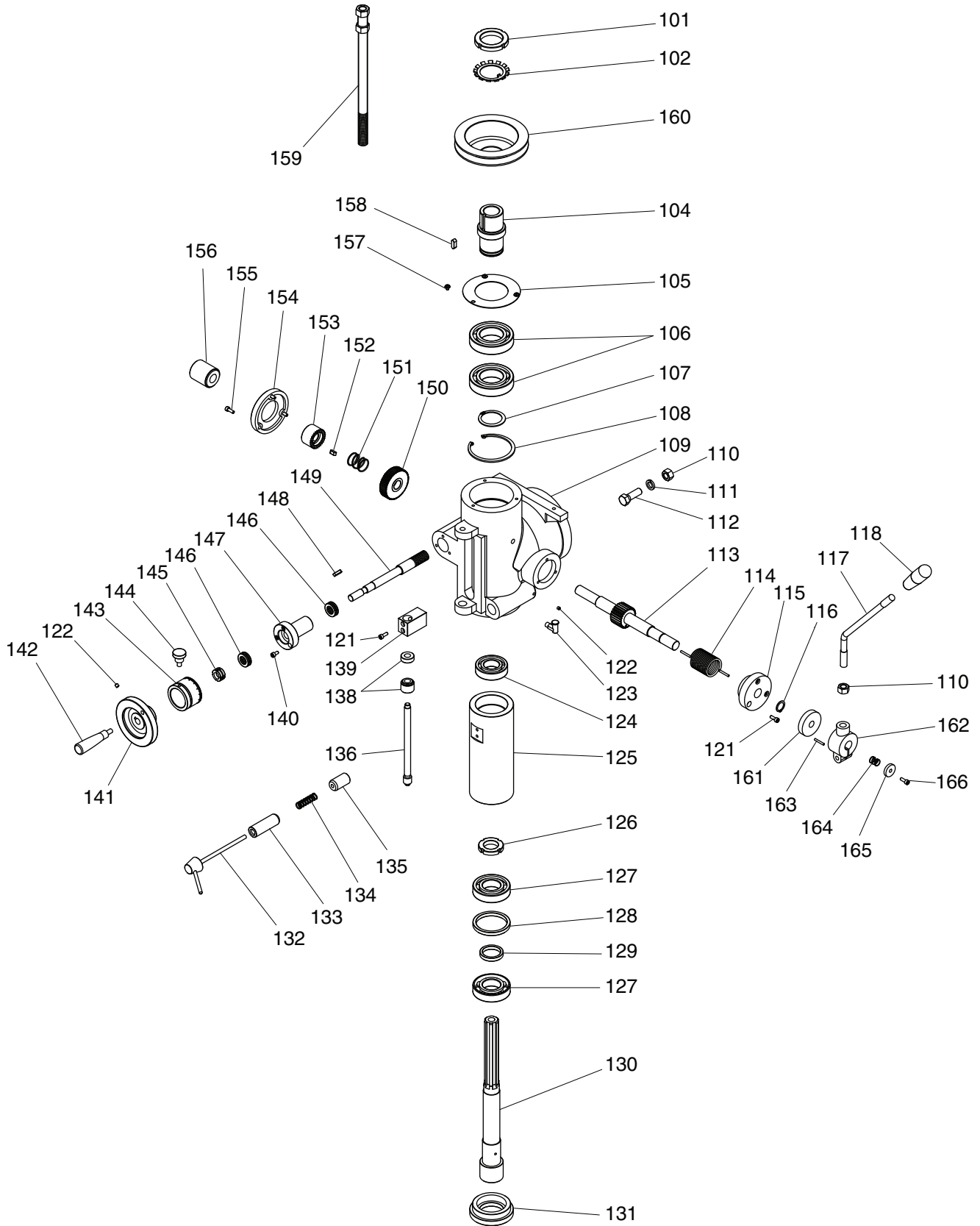
# Base, Column & Knee Parts List

REF	PART #	DESCRIPTION
401	P0695401	HANDWHEEL HANDLE
403	P0695403	COLUMN
404	P0695404	HALOGEN LAMP ASSEMBLY
405	P0695405	CAP SCREW M6-1 X 8
406	P0695406	KNEE GIB
407	P0695407	GIB ADJUSTMENT SCREW
408	P0695408	PIPE JOINT
409	P0695409	KNEE
410	P0695410	KNEE SLIDE COVER
411	P0695411	PHLP HD SCR M5-.8 X 16
412V2	P0695412V2	ADJUSTABLE HANDLE 3L, 3/8-16 X 1
413	P0695413	ONE-SHOT OILER ASSEMBLY
414	P0695414	PHLP HD SCR M5-.8 X 15
415	P0695415	SPANNER NUT 20MM
416	P0695416	SPANNER LOCK WASHER 20MM
417	P0695417	BEVEL GEAR
418	P0695418	BALL BEARING 6004ZZ
419	P0695419	GEAR SHAFT SLEEVE
420	P0695420	CAP SCREW M6-1 X 16
421	P0695421	KEY 5 X 5 X 20
422	P0695422	GEAR SHAFT
423	P0695423	EXT RETAINING RING 20MM
424	P0695424	CLUTCH
425	P0695425	SET SCREW M6-1 X 8
426	P0695426	DIAL POSITIONING SCREW
427	P0695427	ELEVATION GRADUATED DIAL
428	P0695428	CRANK
429	P0695429	EXT RETAINING RING 18MM
430	P0695430	HANDWHEEL HANDLE
431	P0695431	HANDWHEEL
432	P0695432	LONGITUDINAL GRADUATED DIAL
433	P0695433	THRUST BEARING 51104

REF	PART #	DESCRIPTION
434	P0695434	BEARING HOUSING
435	P0695435	CROSS FEED LEADSCREW
436	P0695436	BALL BEARING 6204ZZ
437	P0695437	ELEVATION LEADSCREW
438	P0695438	PEDESTAL
439	P0695439	BASE SIDE COVER
440	P0695440	STRAIN RELIEF 3/4" TYPE-10 ST
441	P0695441	BASE
443	P0695443	LIMIT STOP
444	P0695444	LIMIT TRACK
445	P0695445	HEX BOLT M10-1.5 X 30
446	P0695446	TABLE STOP SLEEVE
447	P0695447	HEX NUT M10-1.5
448	P0695448	HEX BOLT M6-1 X 30
449	P0695449	HEX BOLT 1/2-13 X 2
450	P0695450	LOCK WASHER 1/2
451	P0695451	PIN 10 X 20
453	P0695453	PHLP HD SCR 10-24 X 1/2
454	P0695454	COLUMN COVER
455	P0695455	PHLP HD SCR M6-1 X 8
456	P0695456	POWER CORD 12G X 3W 86"L
457	P0695457	STRAIN RELIEF TYPE-10 ST
458	P0695458	PHLP HD SCR 10-24 X 3/4
459	P0695459	CORD 3 WIRE
460	P0695460	HEX NUT 10-24
461	P0695461	RELAY ARITA MR20 220V
462	P0695462	CORD 4 WIRE
463	P0695463	CONTACTOR NHD C-12D
464	P0695464	MOUNTING TRACK
465	P0695465	INVERTER YASKAWA RM56-2001
466	P0695466	HEX WRENCH 4MM
467	P0695467	HEX WRENCH 5MM



# Head



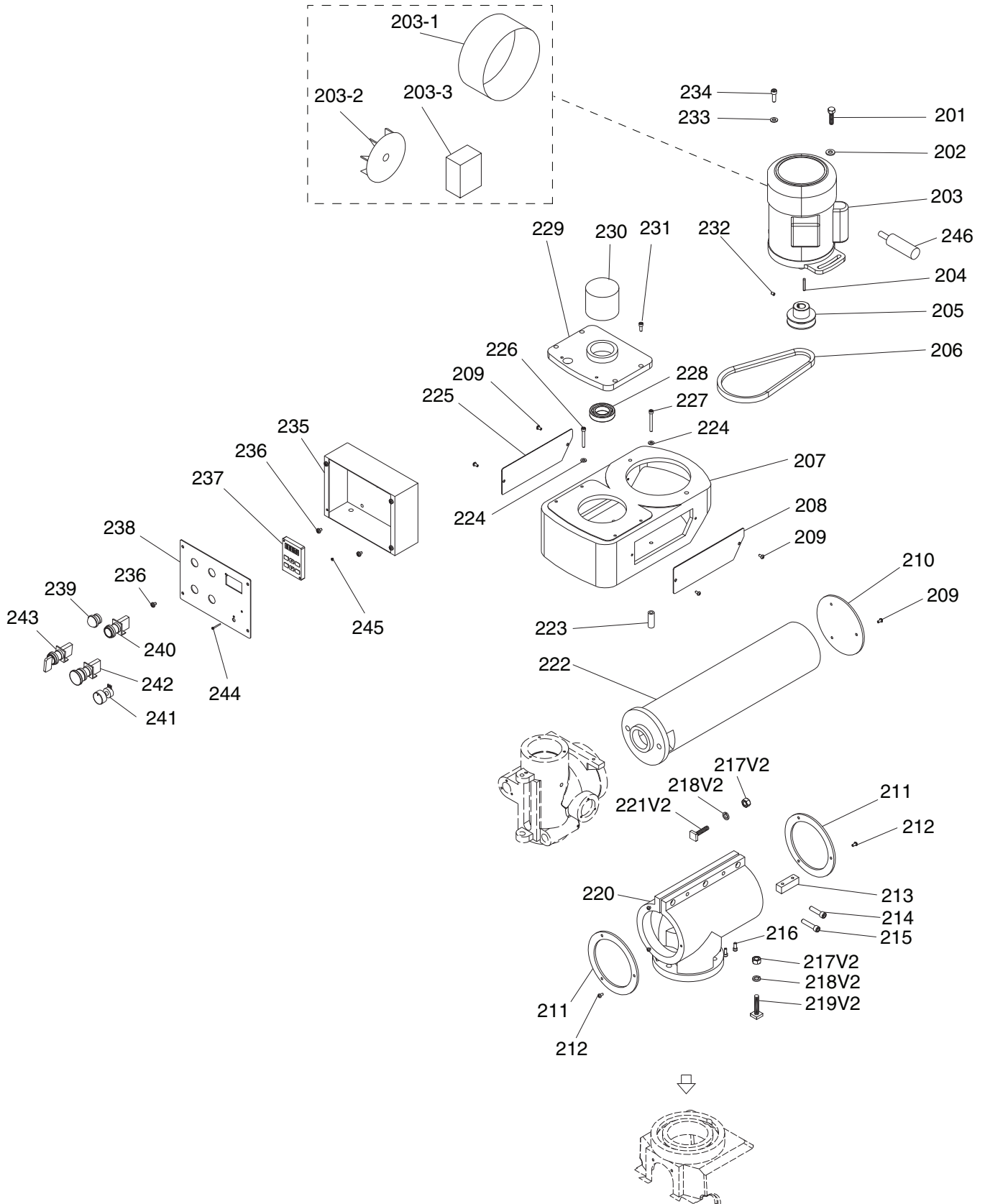
# Head Parts List

REF	PART #	DESCRIPTION
101	P0695101	SPANNER NUT 45MM
102	P0695102	SPANNER LOCK WASHER 45MM
104	P0695104	SPLINE SLEEVE
105	P0695105	BEARING COVER
106	P0695106	BALL BEARING 6209ZZ
107	P0695107	EXT RETAINING RING 45MM
108	P0695108	INT RETAINING RING 82MM
109	P0695109	HEAD CASTING
110	P0695110	HEX NUT 1/2-13
111	P0695111	LOCK WASHER 1/2
112	P0695112	HEX BOLT 1/2-13 X 1-1/2
113	P0695113	GEAR SHAFT
114	P0695114	TORSION SPRING
115	P0695115	FLANGE COVER
116	P0695116	EXT RETAINING RING 19MM
117	P0695117	DOWNFEED LEVER
118	P0695118	DOWNFEED LEVER KNOB
121	P0695121	CAP SCREW M5-.8 X 16
122	P0695122	SET SCREW M6-1 X 8
123	P0695123	OIL CUP 1/8" NPT X 8MM X 24MM ELBOW
124	P0695124	BALL BEARING 6206ZZ
125	P0695125	QUILL
126	P0695126	SPANNER NUT 35MM
127	P0695127	ANGULAR CONTACT BEARING 7207
128	P0695128	BEARING WASHER BIG
129	P0695129	BEARING WASHER SMALL
130	P0695130	SPINDLE
131	P0695131	SPINDLE NUT
132	P0695132	SPINDLE LOCK SHAFT
133	P0695133	LOCK PLUNGER LARGE
134	P0695134	COMPRESSION SPRING

REF	PART #	DESCRIPTION
135	P0695135	LOCK PLUNGER SMALL
136	P0695136	DEPTH SCREW
138	P0695138	DEPTH ADJUSTMENT NUT
139	P0695139	THREADED BRACKET
140	P0695140	PHLP HD SCR M5-.8 X 10
141	P0695141	HANDWHEEL
142	P0695142	HANDWHEEL HANDLE
143	P0695143	FINE GRADUATED DIAL
144	P0695144	DIAL POSITIONING SCREW
145	P0695145	THRUST BEARING NUT 9/16-12
146	P0695146	THRUST BEARING 51102
147	P0695147	FLANGE SLEEVE
148	P0695148	KEY 5 X 5 X 20
149	P0695149	WORM SHAFT
150	P0695150	COUPLING WORM GEAR
151	P0695151	COMPRESSION SPRING
152	P0695152	KEY 6 X 6 X 15
153	P0695153	CLUTCH
154	P0695154	END CAP
155	P0695155	PHLP HD SCR M5-.8 X 10
156	P0695156	DOWNFEED SELECTOR KNOB
157	P0695157	PHLP HD SCR M5-.8 X 8
158	P0695158	KEY 7 X 7 X 20
159	P0695159	DRAWBAR
160	P0695160	SPINDLE PULLEY
161	P0695161	SPACER
162	P0695162	LEVER HUB
163	P0695163	LEVER HUB PIN
164	P0695164	COMPRESSION SPRING
165	P0695165	LEVER HUB FLAT WASHER
166	P0695166	CAP SCREW M5-.8 X 25



# Motor & Ram



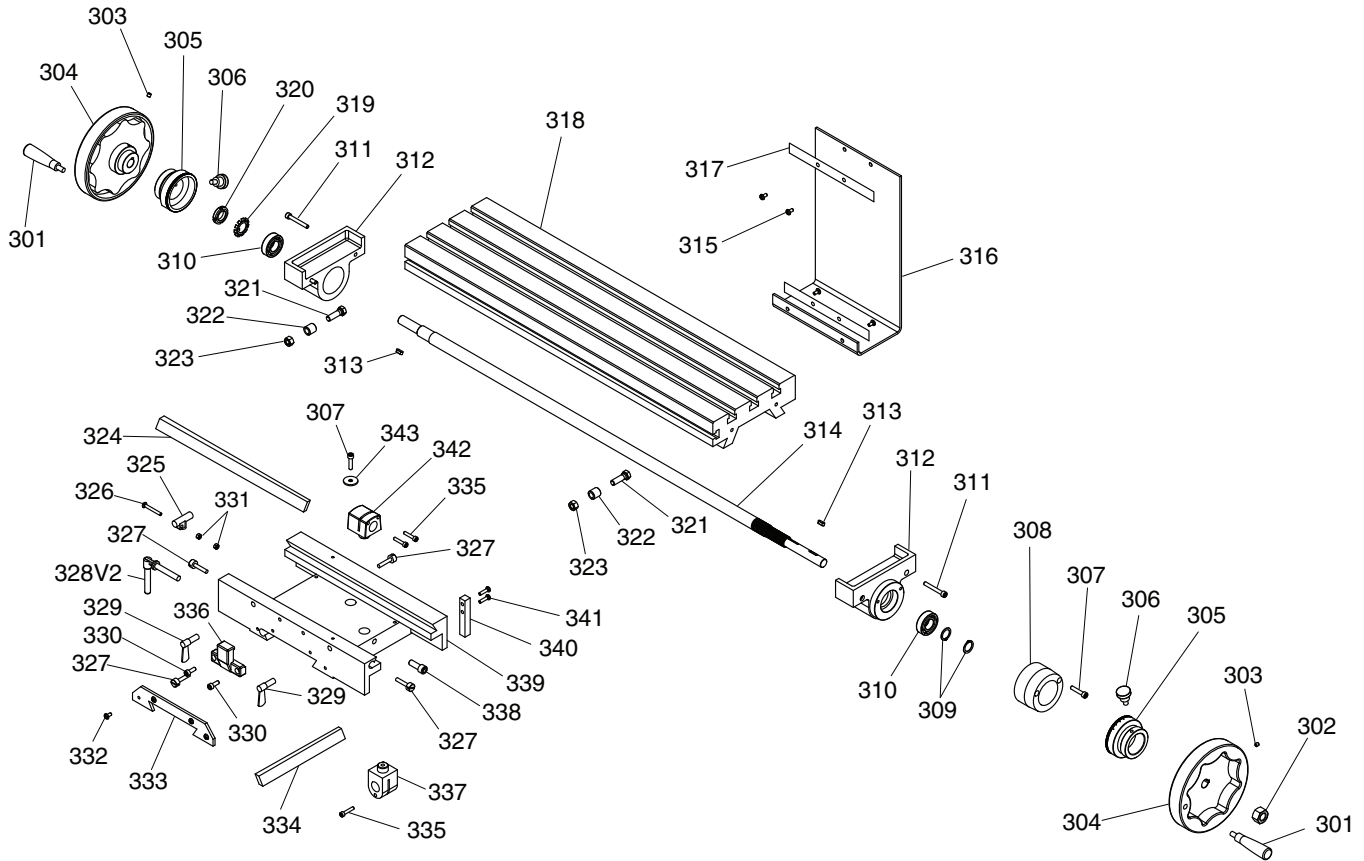
# Motor & Ram Parts List

REF	PART #	DESCRIPTION
201	P0695201	HEX BOLT 3/8-16 X 1-1/4
202	P0695202	FLAT WASHER 10MM
203	P0695203	MOTOR 1.5HP 220V 3-PH
203-1	P0695203-1	MOTOR FAN COVER
203-2	P0695203-2	MOTOR FAN
203-3	P0695203-3	MOTOR WIRING JUNCTION BOX
204	P0695204	KEY 5 X 5 X 40
205	P0695205	MOTOR PULLEY
206	P0695206	V-BELT B28
207	P0695207	V-BELT HOUSING
208	P0695208	V-BELT COVER RIGHT
209	P0695209	PHLP HD SCR M5-.8 X 12
210	P0695210	RAM END COVER
211	P0695211	RAM FLANGE
212	P0695212	CAP SCREW M6-1 X 10
213	P0695213	RAM GIB
214	P0695214	CAP SCREW M10-1.5 X 30
215	P0695215	CAP SCREW M10-1.5 X 40
216	P0695216	CAP SCREW M6-1 X 20
217V2	P0695217V2	HEX NUT M12-1.75
218V2	P0695218V2	LOCK WASHER 12MM
219V2	P0695219V2	SQUARE BOLT M12-1.75 X 45 V2.01.17
220	P0695220	RAM HOUSING
221V2	P0695221V2	SQUARE BOLT M12-1.75 X 40 V2.01.17
222	P0695222	RAM

REF	PART #	DESCRIPTION
223	P0695223	BUSHING
224	P0695224	FLAT WASHER 6MM
225	P0695225	V-BELT COVER LEFT
226	P0695226	CAP SCREW M6-1 X 50
227	P0695227	CAP SCREW M6-1 X 55
228	P0695228	BALL BEARING 6007ZZ
229	P0695229	BEARING COVER
230	P0695230	DRAWBAR COVER
231	P0695231	CAP SCREW M6-1 X 20
232	P0695232	SET SCREW M6-1 X 8
233	P0695233	FLAT WASHER 8MM
234	P0695234	CAP SCREW M8-1.25 X 25
235	P0695235	CONTROL BOX
236	P0695236	PHLP HD SCR M6-1 X 16
237	P0695237	SPINDLE SPEED READOUT UNIT
238	P0695238	CONTROL PANEL
239	P0695239	POWER INDICATOR LIGHT 22MM WHT
240	P0695240	ON/OFF BUTTON
241	P0695241	SPINDLE SPEED DIAL
242	P0695242	STOP BUTTON
243	P0695243	SPINDLE DIRECTION SWITCH
244	P0695244	PHLP HD SCR M3-.5 X 25
245	P0695245	HEX NUT M3-.5
246	P0695246	HANDLE



# Table

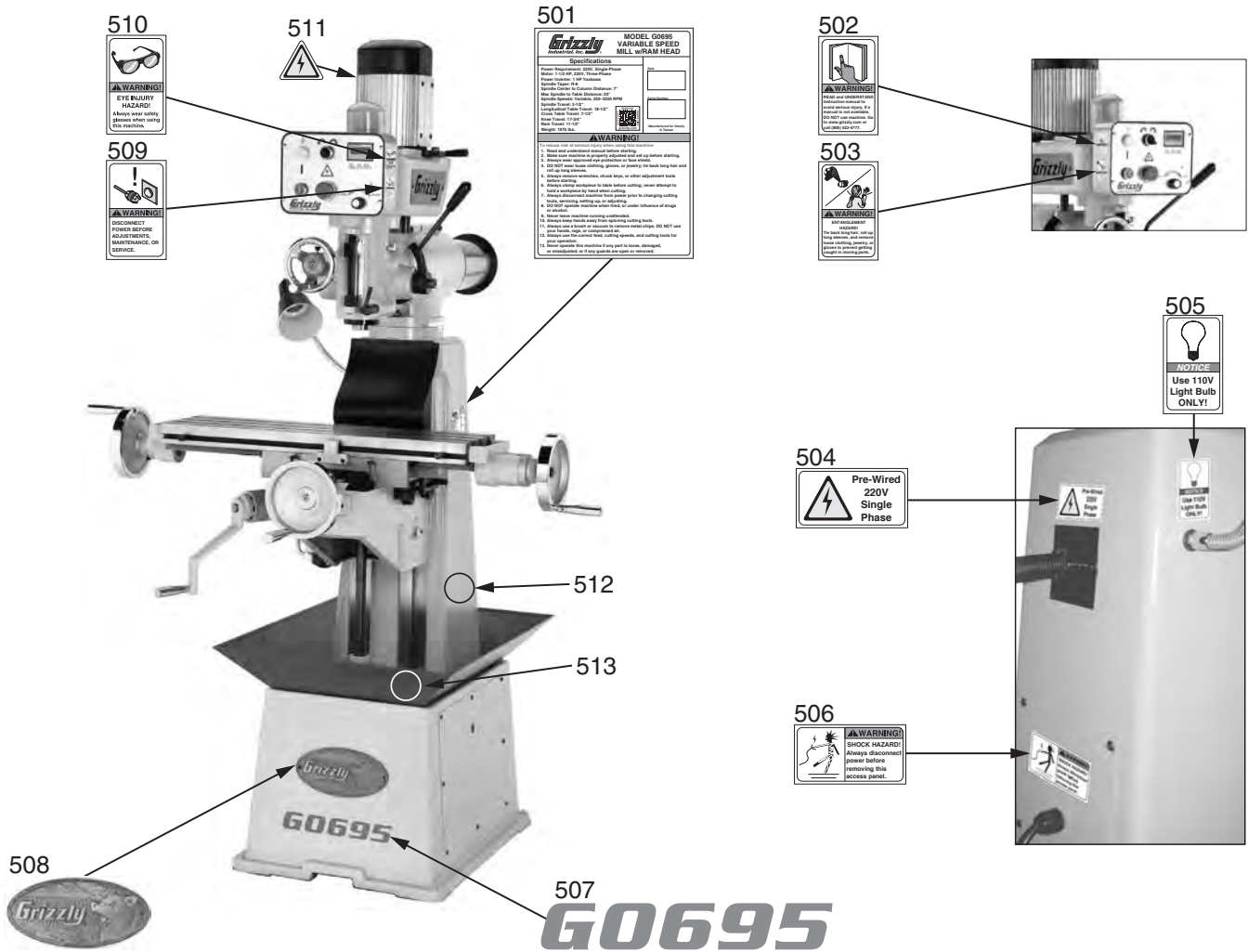


REF	PART #	DESCRIPTION
301	P0695301	HANDWHEEL HANDLE
302	P0695302	HEX NUT 5/8-11
303	P0695303	SET SCREW M6-1 X 8
304	P0695304	HANDWHEEL
305	P0695305	LONGITUDINAL GRADUATED DIAL
306	P0695306	DIAL POSITIONING SCREW
307	P0695307	CAP SCREW M6-1 X 25
308	P0695308	SPACER
309	P0695309	EXT RETAINING RING 20MM
310	P0695310	BALL BEARING 6004ZZ
311	P0695311	CAP SCREW M6-1 X 45
312	P0695312	LEADSCREW BRACKET
313	P0695313	KEY 5 X 5 X 20
314	P0695314	LONGITUDINAL LEADSCREW
315	P0695315	PHLP HD SCR M6-1 X 8
316	P0695316	WAY COVER
317	P0695317	WAY COVER HOLDER
318	P0695318	TABLE
319	P0695319	SPANNER LOCK WASHER 20MM
320	P0695320	SPANNER NUT 20MM
321	P0695321	HEX BOLT M10-1.5 X 30
322	P0695322	TABLE STOP SLEEVE

REF	PART #	DESCRIPTION
323	P0695323	HEX NUT M10-1.5
324	P0695324	LONGITUDINAL GIB
325	P0695325	LIMIT STOP
326	P0695326	PHLP HD SCR M5-.8 X 30
327	P0695327	GIB ADJUSTMENT SCREW
328V2	P0695328V2	ADJUSTABLE HANDLE 3L, 3/8-16 X 1
329	P0695329	LONGITUDINAL LOCK HANDLE
330	P0695330	CAP SCREW M6-1 X 16
331	P0695331	HEX NUT M5-.8
332	P0695332	PHLP HD SCR M5-.8 X 10
333	P0695333	WAY WIPER
334	P0695334	CROSS GIB
335	P0695335	CAP SCREW M8-1.25 X 25
336	P0695336	LIMIT BRACKET
337	P0695337	CROSS FEED LEADSCREW NUT
338	P0695338	CAP SCREW M8-1.25 X 25
339	P0695339	SADDLE
340	P0695340	LIMIT BLOCK
341	P0695341	PHLP HD SCR M5-.8 X 20
342	P0695342	LONGITUDINAL LEADSCREW NUT
343	P0695343	FLAT WASHER 6MM



# Labels & Placement



REF	PART #	DESCRIPTION
501	P0695501	MACHINE ID LABEL
502	P0695502	READ MANUAL LABEL
503	P0695503	ENTANGLEMENT HAZARD LABEL
504	P0695504	PREWIRED 220V LABEL
505	P0695505	LIGHT BULB 110V LABEL
506	P0695506	ELECTROCUTION HAZARD LABEL
507	P0695507	MODEL NUMBER LABEL

REF	PART #	DESCRIPTION
508	P0695508	GRIZZLY OVAL NAMEPLATE
509	P0695509	DISCONNECT WARNING LABEL
510	P0695510	EYE INJURY WARNING LABEL
511	P0695511	ELECTRICITY LABEL
512	P0695512	TOUCH UP PAINT, GRIZZLY PUTTY
513	P0695513	TOUCH UP PAINT, GRIZZLY GREEN

## **⚠️ WARNING**

Safety labels help reduce the risk of serious injury caused by machine hazards. If any label comes off or becomes unreadable, the owner of this machine **MUST** replace it in the original location before resuming operations. For replacements, contact (800) 523-4777 or [www.grizzly.com](http://www.grizzly.com).

