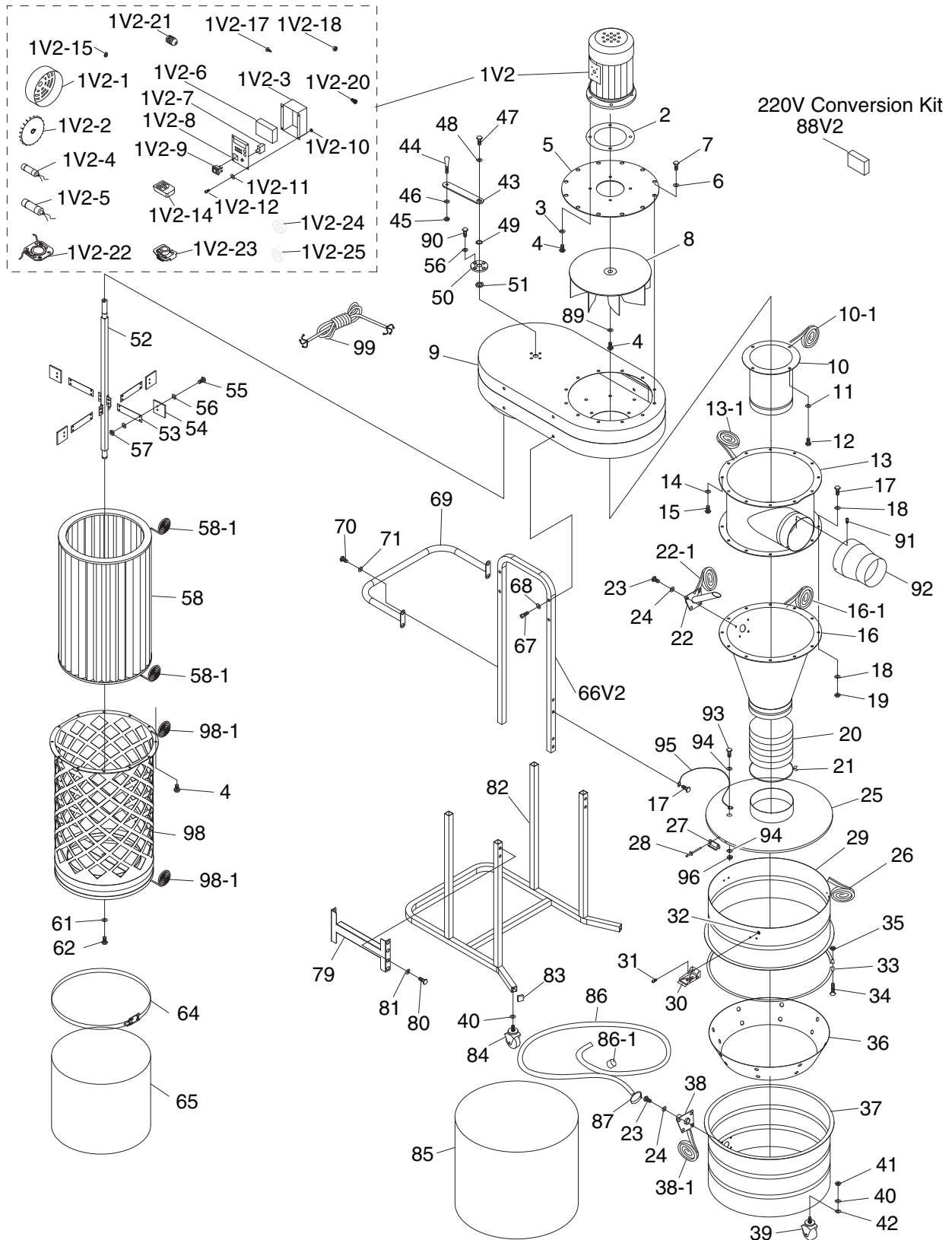


SECTION 10: PARTS

G0703 Breakdown



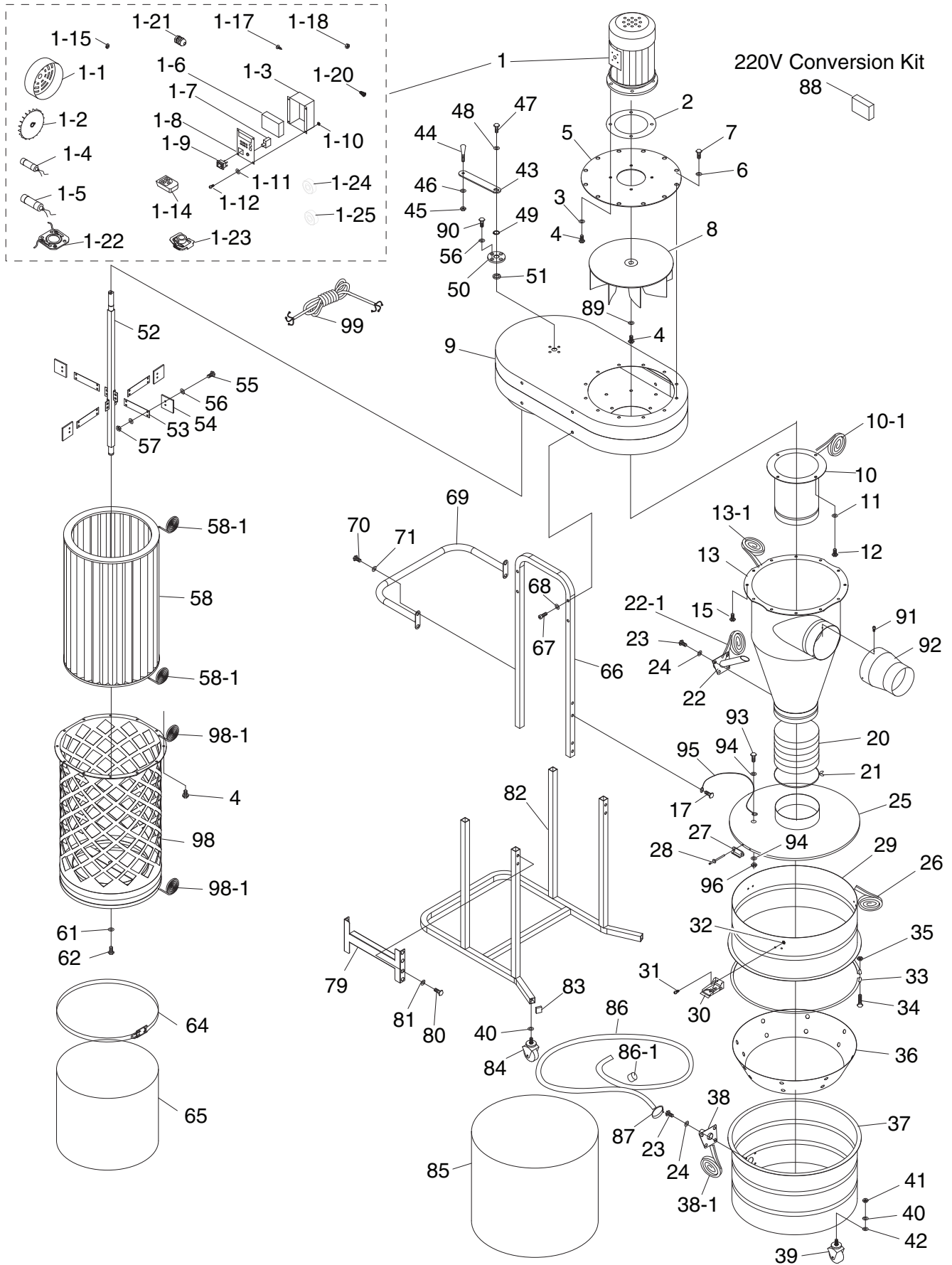
G0703 Parts List

REF	PART #	DESCRIPTION
1	P0703001	MOTOR 1-1/2 HP 110/220V 1PH V1
1V2	P0703001V2	MOTOR 1-1/2 HP 110/220V 1PH V2.01.12
1V2-1	P0703001V2-1	MOTOR FAN COVER
1V2-2	P0703001V2-2	MOTOR FAN
1V2-3	P0703001V2-3	REMOTE RECEIVER BOX
1V2-4	P0703001V2-4	S CAPACITOR 300M 125V 1-1/2 X 3-1/8
1V2-5	P0703001V2-5	R CAPACITOR 40M 250V 1-3/8 X 2-3/8
1V2-6	P0703001V2-6	CIRCUIT BOARD 110V 256 CODE
1V2-7	P0703001V2-7	THERMAL OVERLOAD TRANKEY 25A
1V2-8	P0703001V2-8	REMOTE CONTROL PANEL
1V2-9	P0703001V2-9	POWER SWITCH
1V2-10	P0703001V2-10	HEX NUT 10-24
1V2-11	P0703001V2-11	FLAT WASHER #10
1V2-12	P0703001V2-12	PHLP HD SCR 10-24 X 3/8
1V2-13	P0703001V2-13	JUNCTION BOX COVER
1V2-14	P0703001V2-14	REMOTE CONTROLLER 256 CODE
1V2-15	P0703001V2-15	LOCK WASHER 5MM
1V2-16	P0703001V2-16	JUNCTION BOX
1V2-17	P0703001V2-17	PHLP HD SCR M5-.8 X 15 COPPER
1V2-18	P0703001V2-18	HEX NUT M5-.8 COPPER
1V2-19	P0703001V2-19	PHLP HD SCR 10-24 X 3/8
1V2-20	P0703001V2-20	TERMINAL NUT SW-74BH
1V2-21	P0703001V2-21	STRAIN RELIEF MG-20
1V2-22	P0703001V2-22	CONTACT PLATE
1V2-23	P0703001V2-23	CENTRIFUGAL SWITCH 3450
1V2-24	P0703001V2-24	FRONT MOTOR BEARING
1V2-25	P0703001V2-25	REAR MOTOR BEARING
2	P0703002	MOTOR GASKET
3	P0703003	EXT TOOTH WASHER 5/16
4	P0703004	HEX BOLT 5/16-18 X 3/4
5	P0703005	MOTOR MOUNTING PLATE
6	P0703006	FLAT WASHER 5/16
7V2	P0703007V2	HEX BOLT 5/16-18 X 5/8
8	P0703008	IMPELLER 13-1/2"
9	P0703009	BLOWER HOUSING
10	P0703010	INTAKE CYLINDER 7"
10-1	P0703010-1	INTAKE CYLINDER SEAL
12	P0703012	HEX BOLT 5/16-18 X 1/2
13	P0703013	INTAKE BARREL 9-13/16" X 16-1/2"
13-1	P0703013-1	INTAKE BARREL SEAL
16	P0703016	CYCLONE FUNNEL 7"
16-1	P0703016-1	CYCLONE FUNNEL SEAL
20	P0703020	DUST HOSE CLEAR 7" X 7"
21	P0703021	HOSE CLAMP 7"
22	P0703022	FUNNEL SUCTION PIPE
22-1	P0703022-1	FUNNEL SUCTION PIPE SEAL
23V2	P0703023V2	HEX BOLT 5/16-18 X 1/2
24	P0703024	FLAT WASHER 5/16
25V2	P0703025V2	COLLECTION DRUM LID 7" V2.3.11
26	P0703026	COLLECTION DRUM SEAL
27	P0703027	LATCH HOOK
28	P0703028	RIVET
29	P0703029	UPPER COLLECTION DRUM
30	P0703030	DRUM LID LATCH
31	P0703031	PHLP HD SCR 10-24 X 3/8
32	P0703032	HEX NUT 10-24
33	P0703033	DRUM CLAMP

REF	PART #	DESCRIPTION
34	P0703034	HEX BOLT 5/16-18 X 3
35	P0703035	HEX NUT 5/16-18
36	P0703036	VACUUM SUCTION PLATE
37	P0703037	LOWER COLLECTION DRUM
38	P0703038	DRUM SUCTION PIPE
38-1	P0703038-1	DRUM SUCTION PIPE SEAL
39	P0703039	CASTER 2"
40	P0703040	LOCK WASHER 3/8
41	P0703041	HEX NUT 3/8-16
42	P0703042	FLAT WASHER 3/8
43	P0703043	PADDLE CRANK
44	P0703044	ROTATION HANDLE
45	P0703045	LOCK NUT 3/8-16
46	P0703046	FLAT WASHER 3/8
47	P0703047	HEX BOLT 5/16-18 X 3/4
49	P0703049	EXT RETAINING RING 20MM
51	P0703051	SEAL
52	P0703052	PADDLE SHAFT
53	P0703053	PADDLE BRACKET
54	P0703054	PADDLE
55	P0703055	HEX BOLT 1/4-20 X 5/8
56	P0703056	FLAT WASHER 1/4
57	P0703057	LOCK NUT 1/4-20
58V2	P0703058V2	CANISTER FILTER 386 X 534MM V2.3.11
58V2-1	P0703058V2-1	CANISTER FILTER SEAL V2.3.11
62	P0703062	HEX BOLT 5/16-18 X 3/4
64V2	P0703064V2	BAG CLAMP 390MM V2.3.11
65	P0703065	PLASTIC BAG 400 X 600MM
66V2	P0703066V2	UPPER FRAME V2.03.12
67	P0703067	CAP SCREW 5/16-18 X 1/2
68	P0703068	FLAT WASHER 5/16
69	P0703069	FRAME HANDLE
70	P0703070	HEX BOLT 5/16-18 X 3/4
71	P0703071	FLAT WASHER 5/16
79	P0703079	FRAME BRACE
80	P0703080	HEX BOLT 5/16-18 X 3/4
81	P0703081	FLAT WASHER 5/16
82	P0703082	LOWER FRAME
83	P0703083	FRAME END CAP
84	P0703084	CASTER 2"
85	P0703085	PLASTIC BAG 510 X 1070MM
86	P0703086	DUST HOSE GREY 1" X 6-1/2'
86-1	P0703086-1	PLASTIC HOSE PLUG 1"
87	P0703087	HOSE CLAMP 1"
88V2	P0703088V2	CIRCUIT BOARD 220V 256 CODE V2.03.11
89	P0703089	IMPELLER FENDER WASHER 5/16
90	P0703090	HEX BOLT 1/4-20 X 1
91	P0703091	TAP SCREW M4 X 12
92	P0703092	INLET RESTRICTOR 5" X 6"
93	P0703093	COPPER PHLP HD SCR M5-.8 X 12
94	P0703094	EXT TOOTH WASHER 5MM
95	P0703095	GROUND WIRE
96	P0703096	COPPER HEX NUT M5-.8
98V2	P0703098V2	FILTER CAGE, BEIGE V2.07.12
98-1	P0703098-1	CANISTER FILTER CAGE SEAL
99	P0703099	POWER CORD 12G 3W 36"



G0703P Breakdown



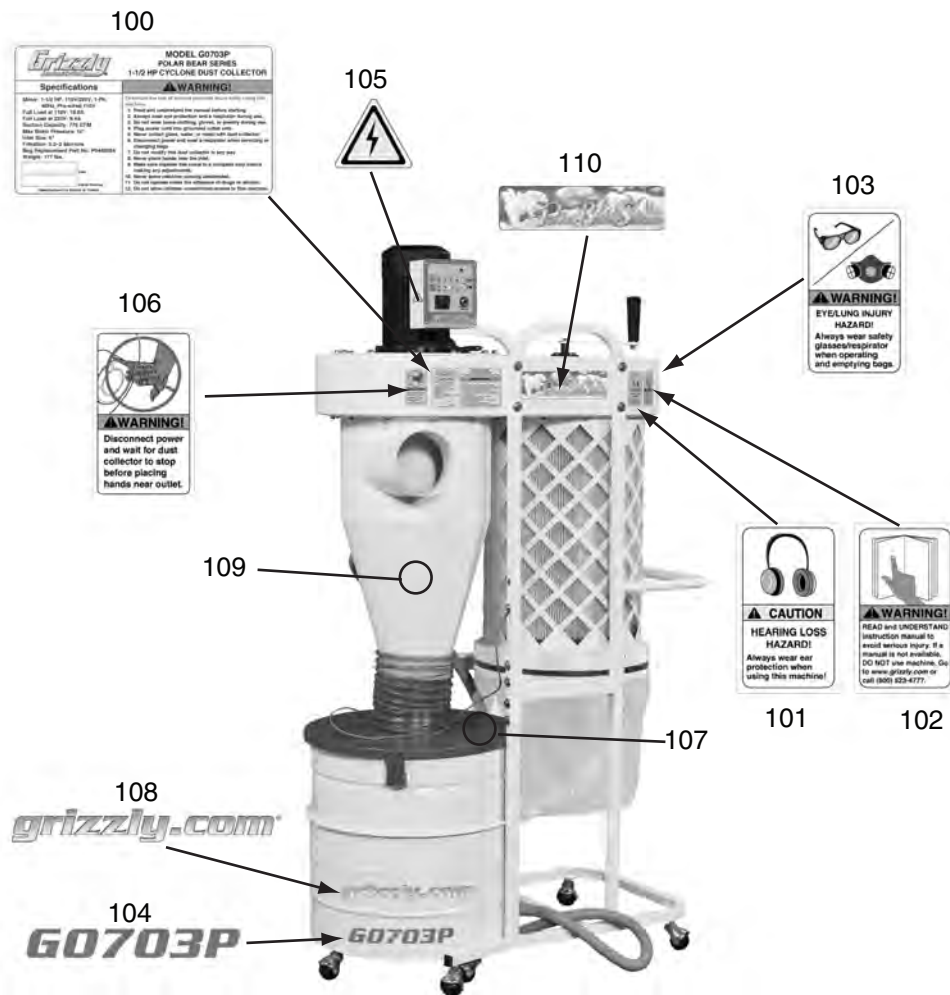
G0703P Parts List

REF	PART #	DESCRIPTION
1	P0703P001	MOTOR 1-1/2 HP 110/220V 1PH V1
1-1	P0703P001-1	MOTOR FAN COVER
1-2	P0703P001-2	MOTOR FAN
1-3	P0703P001-3	REMOTE RECEIVER BOX
1-4	P0703P001-4	S CAPACITOR 300M 125V 1-1/2 X 3-1/8
1-5	PC040F	R CAPACITOR 40M 250V 1-3/8 X 2-3/8
1-6	P0703P001-6	CIRCUIT BOARD 110V 256 CODE
1-7	P0703P001-7	THERMAL OVERLOAD TRANKEY 25A
1-8	P0703P001-8	REMOTE CONTROL PANEL
1-9	P0703P001-9	POWER SWITCH V1
1-10	PN07	HEX NUT 10-24
1-11	PW03	FLAT WASHER #10
1-12	PS06	PHLP HD SCR 10-24 X 3/8
1-13	P0703P001-13	POWER CORD 12AWG 3C 10FT
1-14	P0703P001-14	REMOTE CONTROLLER 256 CODE
1-15	P0703P001-15	LOCK WASHER 5MM
1-17	P0703P001-17	PHLP HD SCR M5-.8 X 15 COPPER
1-18	P0703P001-18	HEX NUT M5-.8 COPPER
1-19	P0703P001-19	PHLP HD SCR 10-24 X 3/8
1-20	P0703P001-20	TERMINAL NUT SW-74BH
1-21	P0703P001-21	STRAIN RELIEF MG-20
1-22	P0703P001-22	CONTACT PLATE
1-23	P0703P001-23	CENTRIFUGAL SWITCH 3450
1-24	P0703P001-24	FRONT MOTOR BEARING
1-25	P0703P001-25	REAR MOTOR BEARING
2	P0703002	MOTOR GASKET
3	PW07	FLAT WASHER 5/16
4	PB32	HEX BOLT 5/16-18 X 5/8
5	P0703P005	MOTOR MOUNTING PLATE
6	PW07	FLAT WASHER 5/16
7	PB32	HEX BOLT 5/16-18 X 5/8
8	P0703008	IMPELLER 13-1/2"
9	P0703P009	BLOWER HOUSING
10	P0703010	INTAKE CYLINDER 7"
10-1	P0703010-1	INTAKE CYLINDER SEAL
11	PW07	FLAT WASHER 5/16
12	PB09	HEX BOLT 5/16-18 X 1/2
13	P0703P013	CYCLONE FUNNEL ASSEMBLY
13-1	P0703013-1	CYCLONE FUNNEL SEAL
15	PB32	HEX BOLT 5/16-18 X 5/8
17	PB07	HEX BOLT 5/16-18 X 3/4
20	P0703020	DUST HOSE CLEAR 7" X 7"
21	P0440026	HOSE CLAMP 7"
22	P0703022	FUNNEL SUCTION PIPE
22-1	P0703022-1	FUNNEL SUCTION PIPE SEAL
23	PB09	HEX BOLT 5/16-18 X 1/2
24	PLW01	LOCK WASHER 5/16
25	P0703P025	COLLECTION DRUM LID 9"
26	P0703026	COLLECTION DRUM SEAL
27	P0703027	LATCH HOOK
28	P0703028	RIVET
29	P0703P029	UPPER COLLECTION DRUM
30	P0440053	DRUM LID LATCH
31	PS06	PHLP HD SCR 10-24 X 3/8
32	PN07	HEX NUT 10-24
33	P0703033	DRUM CLAMP
34	PB04	HEX BOLT 5/16-18 X 3
35	PN02	HEX NUT 5/16-18

REF	PART #	DESCRIPTION
36	P0703036	VACUUM SUCTION PLATE
37	P0703P037	LOWER COLLECTION DRUM
38	P0703038	DRUM SUCTION PIPE
38-1	P0703038-1	DRUM SUCTION PIPE SEAL
39	P0440056	CASTER 2"
40	PLW04	LOCK WASHER 3/8
41	PN08	HEX NUT 3/8-16
42	PW02	FLAT WASHER 3/8
43	P0703P043	PADDLE CRANK
44	P0703044	ROTATION HANDLE
45	PLN01	LOCK NUT 3/8-16
46	PW02	FLAT WASHER 3/8
47	PB07	HEX BOLT 5/16-18 X 3/4
48	PW07	FLAT WASHER 5/16
49	PR09M	EXT RETAINING RING 20MM
50	P0703050	PADDLE SHAFT CAP
51	P0703051	SEAL
52	P0703052	PADDLE SHAFT
53	P0703053	PADDLE BRACKET
54	P0703054	PADDLE
55	PB02	HEX BOLT 1/4-20 X 5/8
56	PW06	FLAT WASHER 1/4
57	PLN02	LOCK NUT 1/4-20
58	P0703P058	CANISTER FILTER 386 X 534MM
58-1	P0703P058-1	CANISTER FILTER SEAL
61	PW07	FLAT WASHER 5/16
62	PB07	HEX BOLT 5/16-18 X 3/4
64	P0440033	BAG CLAMP 400MM
65	P0703065	PLASTIC BAG 400 X 600MM
66	P0703P066	UPPER FRAME
67	PCAP30	CAP SCREW 5/16-18 X 1/2
68	PW07	FLAT WASHER 5/16
69	P0703P069	FRAME HANDLE
70	PB07	HEX BOLT 5/16-18 X 3/4
71	PW07	FLAT WASHER 5/16
79	P0703P079	FRAME BRACE
80	PB07	HEX BOLT 5/16-18 X 3/4
81	PW07	FLAT WASHER 5/16
82	P0703P082	LOWER FRAME
83	P0703083	FRAME END CAP
84	P0440056	CASTER 2"
85	P0703085	PLASTIC BAG 510 X 1070MM
86	P0703086	DUST HOSE GREY 1" X 6-1/2'
86-1	P0703086-1	1" PLASTIC HOSE PLUG
87	P0703087	HOSE CLAMP 1"
88	P0703P088	CIRCUIT BOARD 220V 256 CODE
89	P0443014	MOTOR FENDER WASHER 5/16
90	PB31	HEX BOLT 1/4-20 X 1
91	PHTEK39M	TAP SCREW M4 X 12
92	P0703092	INLET RESTRICTOR 5" X 6"
93	P0703093	COPPER PHLP HD SCR M5-.8 X 12
94	PLW01M	LOCK WASHER 5MM
95	P0703095	GROUND WIRE
96	P0703096	COPPER HEX NUT M5-.8
98	P0703P098	CANISTER FILTER CAGE
98-1	P0703P098-1	CANISTER FILTER CAGE SEAL
99	P0703099	POWER CORD 12G 3W 36"



G0703/G0703P Labels



REF	PART #	DESCRIPTION
100	P0703100	MACHINE ID LABEL (G0703)
100	P0703P100	MACHINE ID LABEL (G0703P)
101	PLABEL-15A	HEARING HAZARD LABEL
102	PLABEL-12A	READ MANUAL LABEL
103	PLABEL-82	GLASSES/RESPIRATOR DC LABEL
104	P0703104	MODEL NUMBER LABEL (G0703)
104	P0703P104	MODEL NUMBER LABEL (G0703P)
105	PLABEL14	ELECTRICITY LABEL

REF	PART #	DESCRIPTION
106	PLABEL59	INLET HAZARD LABEL
107	PPAINT-1	GRIZZLY GREEN TOUCH-UP PAINT
108	P0703108	GRIZZLY.COM LABEL RED
108	P0703P108	GRIZZLY.COM LABEL YELLOW
109	PPAINT-10	LIGHT GREY REF
109	PPAINT-24	WHITE TOUCH-UP PAINT
110	P0703P110	POLAR BEAR LOGO

⚠️ WARNING

Safety labels help reduce the risk of serious injury caused by machine hazards. If any label comes off or becomes unreadable, the owner of this machine **MUST** replace it in the original location before resuming operations. For replacements, contact (800) 523-4777 or www.grizzly.com.

