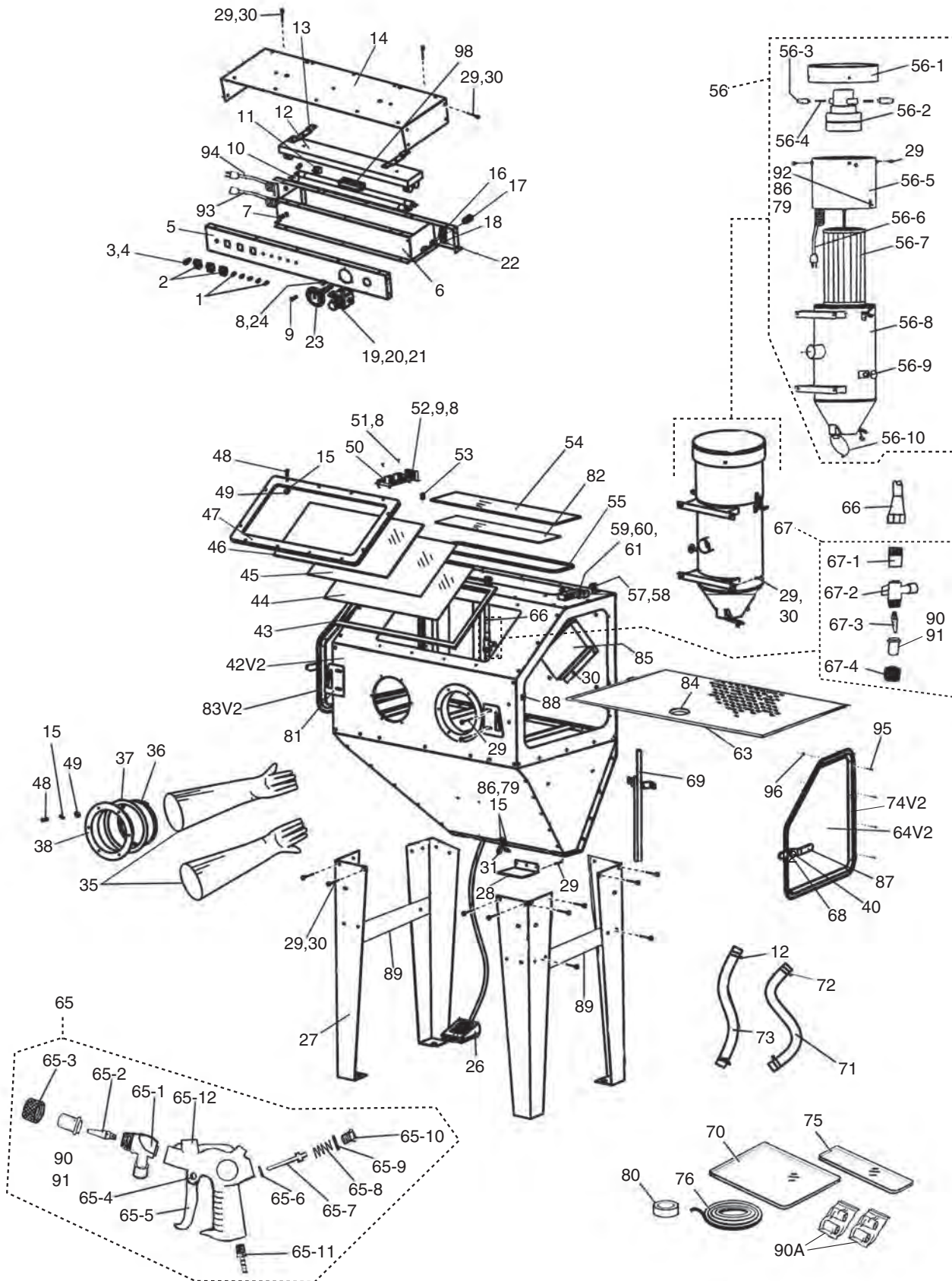


SECTION 9: PARTS



Parts List

REF	PART #	DESCRIPTION
1	P0707001	LED INDICATOR
2	P0707002	POWER SWITCH
3	P0707003	FUSE HOUSING
4	P0707004	FUSE 5 X 20MM 15A T15AL250VP
5	P0707005	CONTROL PANEL
6	P0707006	LAMP COVER
7	P0707007	LAMP COVER RETAINER CLIP
8	P0707008	HEX NUT M3-.5
9	P0707009	PHLP HD SCR M3-.5 X 10
10	P0707010	FLUORESCENT BULB 18W
11	P0707011	STRAIN RELIEF
12	P0707012	LAMP HOUSING
13	P0707013	LAMP SUPPORT
14	P0707014	CONTROL BOX COVER
15	P0707015	FLAT WASHER 4MM
16	P0707016	JET FITTING
17	P0707017	QUICK DISCONNECT FITTING 3/8"
18	P0707018	BRASS NIPPLE
19	P0707019	AIR REGULATOR
20	P0707020	BRASS NIPPLE
21	P0707021	BRASS ELBOW
22	P0707022	MOUNTING PLATE
23	P0707023	AIR PRESSURE GAUGE
24	P0707024	LOCK WASHER 3MM
26	P0707026	FOOT PEDAL
27	P0707027	LEG
28	P0707028	DUMP CHUTE DOOR
29	P0707029	CABINET SCREW M6-1 X 12
30	P0707030	FLANGE NUT M6-1
31	P0707031	LATCH
35	P0707035	RUBBER GLOVE SET
36	P0707036	GLOVE CLAMP
37	P0707037	SUPPORT RING
38	P0707038	GLOVE MOUNTING RING
40	P0707040	LOCK NUT M6-1
42V2	P0707042V2	BLAST CABINET BODY V2.01.21
43	P0707043	VIEWING WINDOW SEAL
44	P0707044	WINDOW COVER FILM 23-1/2" x 10"
45	P0707045	VIEWING WINDOW GLASS
46	P0707046	PLEXIGLASS WINDOW
47	P0707047	WINDOW FRAME
48	P0707048	PHLP HD SCR M4-.7 X 25
49	P0707049	HEX NUT M4-.7
50	P0707050	CIRCUIT BOARD
51	P0707051	PHLP HD SCR M3-.5 X 20
52	P0707052	TRANSFORMER 120VAC/16VAC
53	P0707053	STRAIN RELIEF
54	P0707054	LAMP WINDOW GLASS
55	P0707055	LAMP WINDOW SEAL
56	P0707056	DUST COLLECTOR ASSEMBLY
56-1	P0707056-1	MOTOR COVER
56-2	P0707056-2	UNIVERSAL MOTOR 110V
56-3	P0707056-3	PLASTIC/BRASS BRUSH HOLDER
56-4	P0707056-4	CARBON BRUSH SET
56-5	P0707056-5	MAIN HOUSING
56-6	P0707056-6	MALE POWER CORD 3-WIRE 14-GA
56-7	P0707056-7	CARTRIDGE FILTER 5-MICRON
56-8	P0707056-8	CANISTER

REF	PART #	DESCRIPTION
56-9	P0707056-9	CANISTER PLUNGER W/SPRING
56-10	P0707056-10	CLEANOUT DOOR
57	P0707057	NIPPLE FITTING
58	P0707058	ELBOW FITTING
59	P0707059	SOLENOID VALVE
60	P0707060	SOLENOID NIPPLE FITTING
61	P0707061	SOLENOID ELBOW FITTING
63	P0707063	WORK TABLE
64V2	P0707064V2	RIGHT DOOR V2.01.21
65	P0707065	BLAST GUN ASSEMBLY
65-1	P0707065-1	MEDIA PORT
65-2	P0707065-2	AIR JET
65-3	P0707065-3	NOZZLE NUT
65-4	P0707065-4	DOWEL PIN
65-5	P0707065-5	TRIGGER
65-6	P0707065-6	O-RING 6.6 X 3
65-7	P0707065-7	METERING PIN
65-8	P0707065-8	COMPRESSION SPRING
65-9	P0707065-9	O-RING 9.8 X 1.9 P10
65-10	P0707065-10	PLUG
65-11	P0707065-11	PUSH-ON FITTING 3/8"
65-12	P0707065-12	BLAST GUN BODY
66	P0707066	AIR HOSE
67	P0707067	FIXED GUN ASSEMBLY
67-1	P0707067-1	CONNECTOR FITTING
67-2	P0707067-2	MEDIA PORT
67-3	P0707067-3	BRASS JET
67-4	P0707067-4	NOZZLE NUT
68	P0707068	FENDER WASHER 6MM
69	P0707069	DRAW TUBE
70	P0707070	LARGE WINDOW COVER FILM (5 PACK)
71	P0707071	AIR HOSE 1/2" ID
72	P0707072	HOSE CLAMP 1/2"
73	P0707073	MEDIA HOSE 1/2" ID
74V2	P0707074V2	DOOR GASKET V2.01.21
75	P0707075	SMALL WINDOW COVER FILM (5 PACK)
76	P0707076	ADHESIVE DOOR SEAL 3/8" x 1" x 79"
79	P0707079	PHLP HD SCR M4-.7 X 6
80	P0707080	TEFLON TAPE
81	P0707081	LATCH RECEIVER
82	P0707082	WINDOW COVER FILM 21-1/2" x 4"
83V2	P0707083V2	LEFT DOOR V2.01.21
84	P0707084	RUBBER GROMMET
85	P0707085	BAFFLE PLATE
86	P0707079	FLAT WASHER 4MM
87	P0707087	DOOR LEVER
88	P0707088	LIMIT SWITCH
89	P0707089	CROSS BRACE
90	P0707090	BLAST TIP 6MM ID
90A	P0707090A	NOZZLE SET 4PC
91	P0707091	BLAST TIP 5MM ID
92	P0707092	LATCH ASSEMBLY
93	P0707093	FEMALE POWER CORD 3-WIRE 14-GA
94	P0707094	MACHINE POWER CORD 3-WIRE 14-GA
95	P0707095	FLAT HD SCR M5-.8 X 10
96	P0707096	HEX NUT M5-.8
98	P0707098	BALLAST 110V-130V 40-WATT



Label Placement & Parts List



REF	PART #	DESCRIPTION
100	P0707100	MACHINE ID LABEL
101	PLABEL-12A	READ MANUAL LABEL
102	PLABEL-57	GLASSES/RESPIRATOR LABEL
103	P0707103	DISCONNECT AIR/POWER LABEL
104	P0708104	DUST WARNING LABEL

REF	PART #	DESCRIPTION
105	P0707105	MODEL NUMBER LABEL
106	P0707106	AIR PRESSURE HAZARD LABEL
108	P0707108	FILTER CLEANING LABEL
109	P0707109	GENERAL WARNING LABEL

⚠ WARNING

Safety labels help reduce the risk of serious injury caused by machine hazards. If any label comes off or becomes unreadable, the owner of this machine **MUST** replace it in the original location before resuming operations. For replacements, contact (800) 523-4777 or www.grizzly.com.

