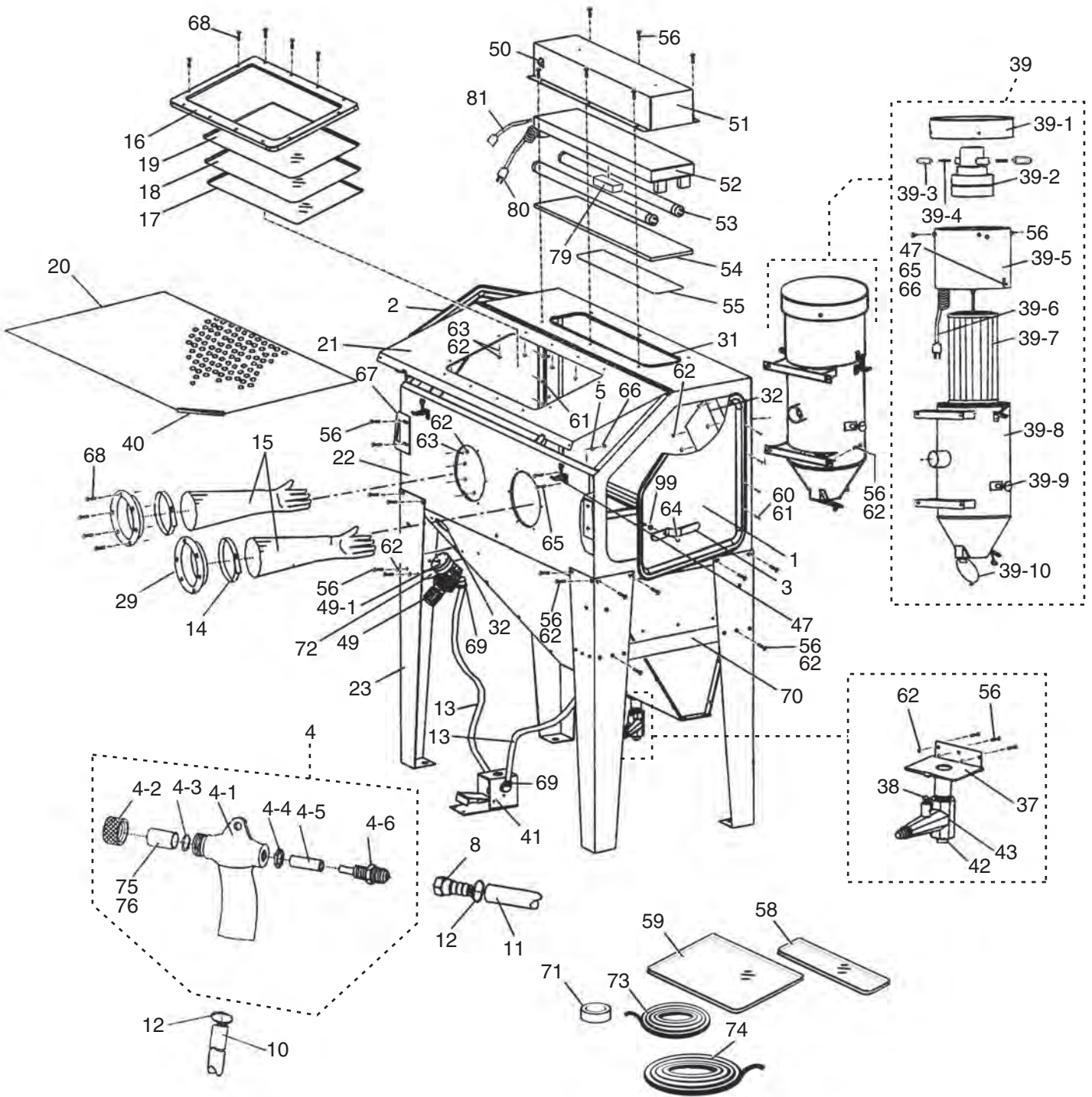


# SECTION 9: PARTS



# Parts List

REF	PART #	DESCRIPTION
1	P0708001	RIGHT DOOR
2	P0708002	LEFT DOOR
3	P0708003	DOOR LEVER
4	P0708004	BLAST GUN ASSEMBLY
4-1	P0708004-1	BLAST GUN BODY
4-2	P0708004-2	NOZZLE NUT
4-3	P0708004-3	O-RING 17.8 X 2.4 P18
4-4	P0708004-4	BRASS JET NUT
4-5	P0708004-5	AIR JET SLEEVE
4-6	P0708004-6	AIR JET
5	P0708005	FLAT WASHER 4MM
8	P0708008	PUSH-ON SWIVEL FITTING 3/8"
10	P0708010	MEDIA HOSE 1/2" ID
11	P0708011	AIR HOSE 1/2" ID
12	P0708012	HOSE CLAMP 1/2"
13	P0708013	AIR HOSE
14	P0708014	GLOVE CLAMP
15	P0708015	SANDBLASTING GLOVES
16	P0708016	WINDOW FRAME
17	P0708017	WINDOW COVER FILM 21-1/2" X 9-3/4"
18	P0708018	VIEWING WINDOW GLASS
19	P0708019	PLEXIGLASS WINDOW
20	P0708020	WORK TABLE
21	P0708021	FRONT LOADING DOOR
22	P0708022	BLAST CABINET BODY
23	P0708023	LEG
29	P0708029	GLOVE MOUNTING RING
31	P0708031	SEAL
32	P0708032	BAFFLE PLATE
36	P0708036	VENTED WORK TABLE
37	P0708037	DUMP CHUTE DOOR
38	P0708038	FLOW ADJUSTMENT SCREW
39	P0708039	DUST COLLECTOR ASSEMBLY
39-1	P0708039-1	MOTOR COVER
39-2	P0708039-2	UNIVERSAL MOTOR 110V
39-3	P0708039-3	PLASTIC/BRASS BRUSH HOLDER
39-4	P0708039-4	CARBON BRUSH SET
39-5	P0708039-5	MAIN HOUSING
39-6	P0708039-6	MALE POWER CORD 3-WIRE 14-GA
39-7	P0708039-7	CARTRIDGE FILTER 5-MICRON

REF	PART #	DESCRIPTION
39-8	P0708039-8	CANISTER
39-9	P0708039-9	CANISTER PLUNGER W/SPRING
39-10	P0708039-10	CLEANOUT DOOR
40	P0708040	RUBBER EDGE SEAL
41	P0708041	FOOT VALVE
42	P0708042	VALVE PLUG
43	P0708043	MEDIA METERING VALVE
47	P0708047	LATCH ASSEMBLY
49	P0708049	AIR PRESSURE REGULATOR W/GAUGE
49-1	P0708049-1	AIR PRESSURE GAUGE
50	P0708050	POWER SWITCH
51	P0708051	LAMP COVER
52	P0708052	LAMP HOUSING
53	P0708053	FLORESCENT BULB 18W
54	P0708054	LAMP WINDOW GLASS
55	P0708055	WINDOW COVER FILM 21-1/2" X 4"
56	P0708056	CABINET SCREW M6-1 X 12
58	P0708058	SMALL WINDOW COVER FILM (5 PACK)
59	P0708059	LARGE WINDOW COVER FILM (5 PACK)
60	P0708060	FLAT HD SCREW M5-.8 X 10
61	P0708061	HEX NUT M5-.8
62	P0708062	FLANGE NUT M6-1
63	P0708063	FLAT WASHER 6MM
64	P0708064	LOCK NUT M6-1
65	P0708065	PHLP HD SCR M4-.7 X 6
66	P0708066	HEX NUT M4-.7
67	P0708067	LATCH RECEIVER
68	P0708068	PHLP HD SCR M4-.7 X 25
69	P0708069	HOSE CLAMP 1/2"
70	P0708070	CROSS BRACE
71	P0708071	TEFLON TAPE
72	P0708072	REGULATOR MOUNTING BRACKET
73	P0708073	ADHESIVE DOOR SEAL 1/4" X 3/4" X 79"
74	P0708074	ADHESIVE DOOR SEAL 3/8" X 1" X 79"
75	P0708075	BLAST TIP 7MM ID
76	P0708076	BLAST TIP 6MM ID
79	P0708079	BALLAST 110V-130V 40-WATT
80	P0708080	MACHINE POWER CORD 3-WIRE 14-GA
81	P0708081	FEMALE POWER CORD 3-WIRE 14-GA
99	P0708099	FENDER WASHER 6MM



# Machine Label Placement & Parts List



REF	PART #	DESCRIPTION
100	P0708100	MACHINE ID LABEL
101	P0708101	READ MANUAL LABEL
102	P0708102	GLASSES/RESPIRATOR LABEL
103	P0708103	DISCONNECT AIR/POWER LABEL
104	P0708104	DUST WARNING LABEL

REF	PART #	DESCRIPTION
105	P0708105	MODEL NUMBER LABEL
106	P0708106	AIR PRESSURE HAZARD LABEL
108	P0708108	FILTER CLEANING LABEL
109	P0708109	GENERAL WARNING LABEL

## WARNING

Safety labels warn about machine hazards and ways to prevent injury. The owner of this machine **MUST** maintain the original location and readability of the labels on the machine. If any label is removed or becomes unreadable, **REPLACE** that label before using the machine again. Contact Grizzly at (800) 523-4777 or [www.grizzly.com](http://www.grizzly.com) to order new labels.

