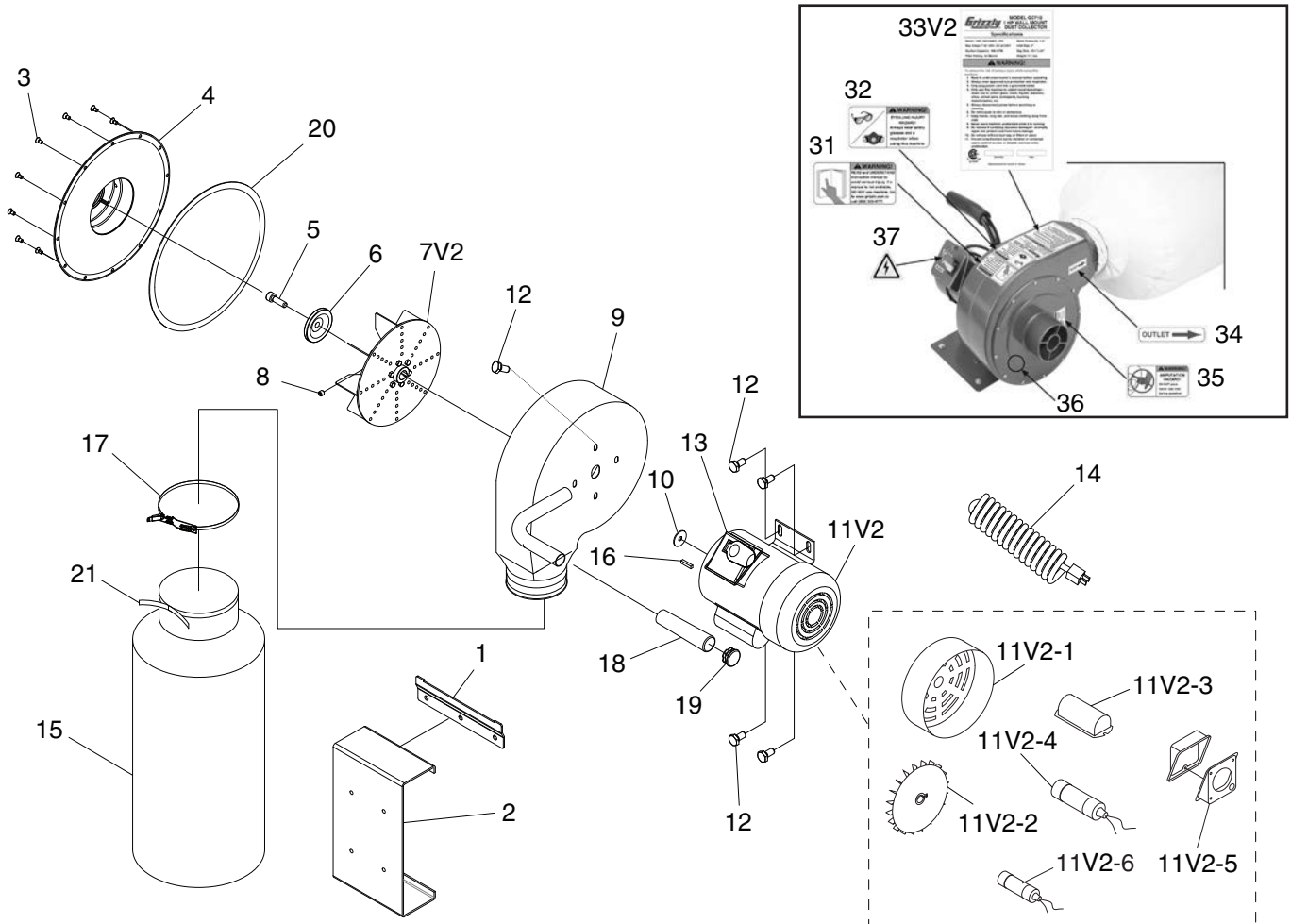


# SECTION 9: PARTS

## G0710 Main Breakdown



REF	PART #	DESCRIPTION
1	P0710001	WALL MOUNTING BRACKET
2	P0710002	MOTOR BRACKET
3	PS09M	PHLP HD SCR M5-.8 X 10
4	P1163008A	INLET COVER 11"
5	PCAP121M	CAP SCREW M6-1 X 20 LH
6	P0710006	IMPELLER WASHER 6MM
7V2	P0710007V2	IMPELLER 10", CAST ALUMINUM V2.09.12
8	PSS02	SET SCREW 5/16-18 X 3/8
9	P1163014V3	COLLECTOR BODY W/HANDLE
10	P1032019	MOTOR SHAFT SPACER
11V2	P1163016V3	MOTOR 1HP 120V/240V 1-PH V3.09.11
11V2-1	P1163016V3-1	FAN COVER
11V2-2	P1163016V3-2	MOTOR FAN
11V2-3	P1163016V3-3	CAPACITOR COVER
11V2-4	PC200F	S CAPACITOR 200M 125V 1-3/8 X 2-3/4
11V2-5	P1163016V3-5	JUNCTION BOX
11V2-6	PC30	R CAPACITOR 30M 250V 1-3/8 X 2-1/2

REF	PART #	DESCRIPTION
12	PFB03	FLANGE BOLT 1/4-20 X 1/2
13	G8988	PADDLE SWITCH W/KEY
14	PWRCRD110L	POWER CORD 16AWG 3C 5-15
15	P1163021	COLLECTION BAG 13-1/2" X 24"
16	PK23M	KEY 5 X 5 X 25
17	P1163023	BAG CLAMP
18	P1163027	HANDLE COVER
19	P1163028	HANDLE END CAP
20	P0710020	INLET COVER GASKET
21	P0710021	FOAM STRIP 4 X 20 X 430MM
31	PLABEL-12B	READ MANUAL LABEL
32	PLABEL-57B	EYE/LUNG INJURY LABEL
33V2	P0710033V2	MACHINE ID LABEL CSA V2.09.11
34	P0710034	OUTLET DIRECTION LABEL
35	PLABEL-59C	AMPUTATION HAZARD LABEL
36	PPAINT-1	GRIZZLY GREEN TOUCH-UP PAINT
37	PLABEL-14	ELECTRICITY LABEL

