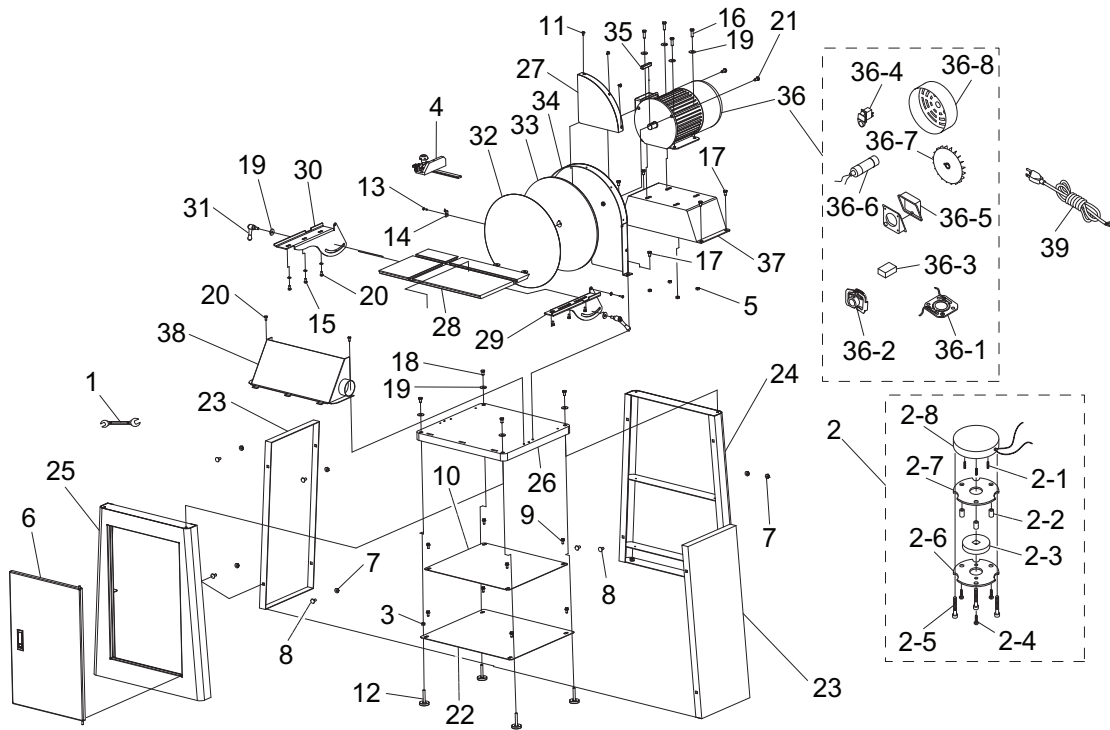


SECTION 9: PARTS

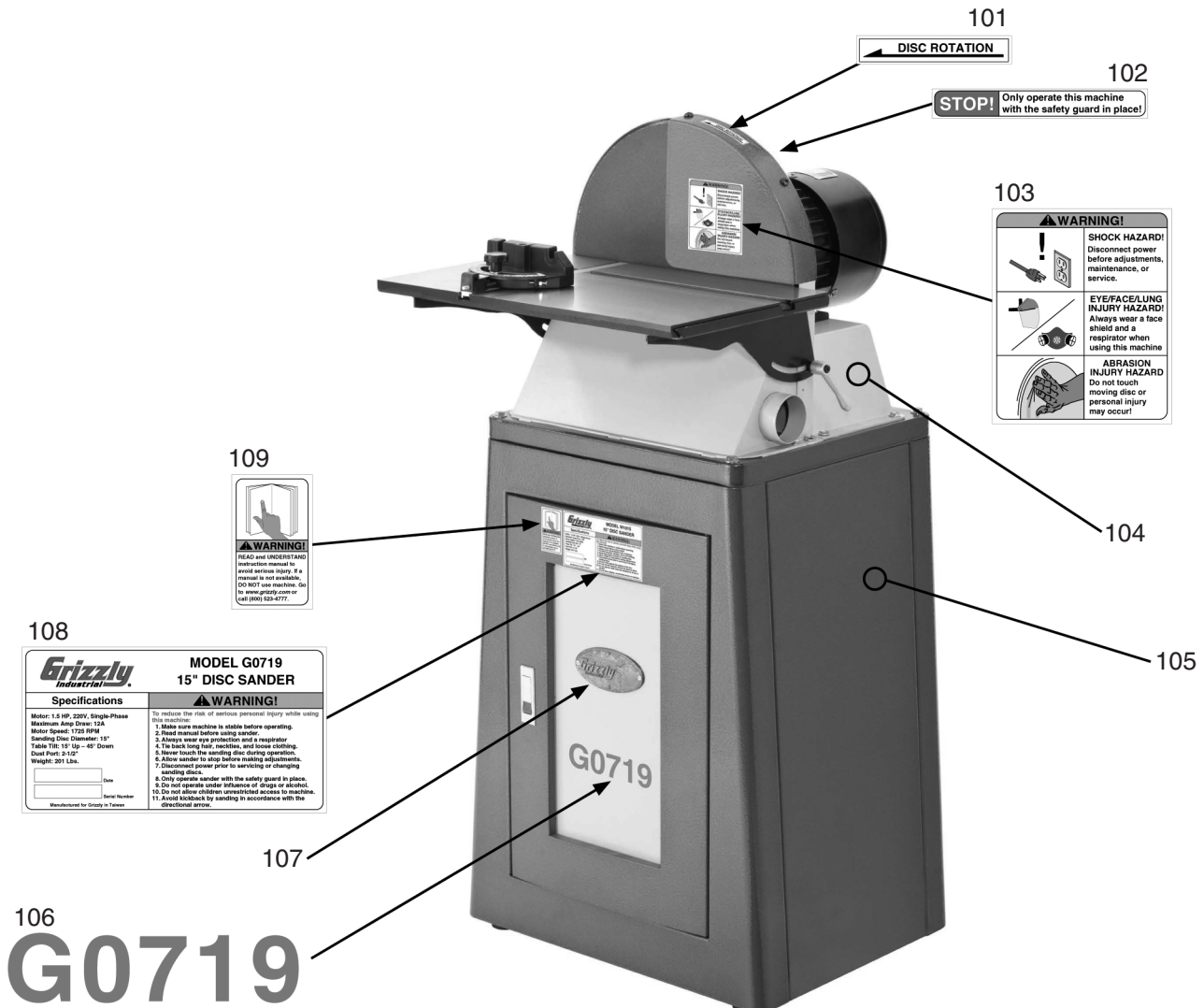


REF	PART #	DESCRIPTION
1	PWR1013	WRENCH 10 X 13
2	P0719002	MOTOR BRAKE ASSEMBLY
2-1	P0719002-1	COMPRESSION SPRING
2-2	P0719002-2	SPACER
2-3	P0719002-3	BRAKE PAD
2-4	PS22M	PHLP HD SCR M5-.8 X 25
2-5	PCAP95M	CAP SCREW M5-.8 X 30
2-6	P0719002-6	OUTSIDE PLATE
2-7	P0719002-7	INSIDE PLATE
2-8	P0719002-8	BRAKE
3	PN08	HEX NUT 3/8-16
4	P0719004	MITER GAUGE ASSEMBLY
5	PN02	HEX NUT 5/16-18
6	P0719006	DOOR W/LATCH
7	PFN02	FLANGE NUT 5/16-18
8	PCB05	CARRIAGE BOLT 5/16-18 X 3/4
9	PFB01M	FLANGE BOLT M6-1 x 12
10	P0719010	STAND UPPER SHELF
11	PS19M	PHLP HD SCR M5-.8 X 6
12	P0719012	FOOT 1/2"D 3/8-16 X 1-1/2
13	PS38M	PHLP HD SCR M4-.7 X 10
14	P0719014	POINTER
15	PLW03M	LOCK WASHER 6MM
16	PB03	HEX BOLT 5/16-18 X 1
17	PB06M	HEX BOLT M8-1.25 x 12
18	PB118M	HEX BOLT M8-1.25 x 45
19	PW07	FLAT WASHER 5/16
20	PB02M	HEX BOLT M6-1 X 12

REF	PART #	DESCRIPTION
21	PB03M	HEX BOLT M8-1.25 X 16
22	P0719022	STAND LOWER SHELF
23	P0719023	STAND SIDE PANEL
24	P0719024	STAND REAR PANEL
25	P0719025	STAND DOOR PANEL
26	P0719026	STAND TOP PLATE
27	P0719027	DISC GUARD
28	P0719028	TABLE
29	P0719029	RIGHT TABLE BRACKET
30	P0719030	LEFT TABLE BRACKET
31	P0719031	LOCK HANDLE ASSEMBLY
32	P0719032	SANDING DISC 15" 80 GRIT PSA
33	P0719033	DISC 15"
34	P0719034	DISC COVER
35	P0719035	MOTOR SHAFT KEY
36	P0719036	MOTOR 1-1/2HP 220V 1PH
36-1	P0719036-1	CONTACT PLATE
36-2	P0719036-2	CENTRIFUGAL SWITCH
36-3	P0719036-3	REGULATOR CHE 200-230VAC
36-4	G8988	ON/OFF SWITCH
36-5	P0719036-5	MOTOR JUNCTION BOX
36-6	P0719036-6	S CAPACITOR 500M 125V
36-7	P0719036-7	MOTOR FAN
36-8	P0719036-8	MOTOR FAN COVER
37	P0719037	MOTOR BASE
38	P0719038	DUST COLLECTION HOOD
39	P0719039	POWER CORD 14AWG X 3C X 72"



Machine Labels



REF	PART #	DESCRIPTION
101	P0719101	DISC ROTATION LABEL
102	P0719102	NO GUARD WARNING LABEL
103	P0719103	COMBO WARNING LABEL
104	PPAINT-11	GRIZZLY PUTTY PAINT
105	PPAINT-1	GRIZZLY GREEN PAINT

REF	PART #	DESCRIPTION
106	P0719106	MODEL NUMBER LABEL
107	G9987	GRIZZLY NAMEPLATE
108	P0719108	MACHINE ID LABEL
109	PLABEL-12C	READ MANUAL LABEL

WARNING

Safety labels warn about machine hazards and ways to prevent injury. The owner of this machine **MUST** maintain the original location and readability of the labels on the machine. If any label is removed or becomes unreadable, **REPLACE** that label before using the machine again. Contact Grizzly at (800) 523-4777 or www.grizzly.com to order new labels.

