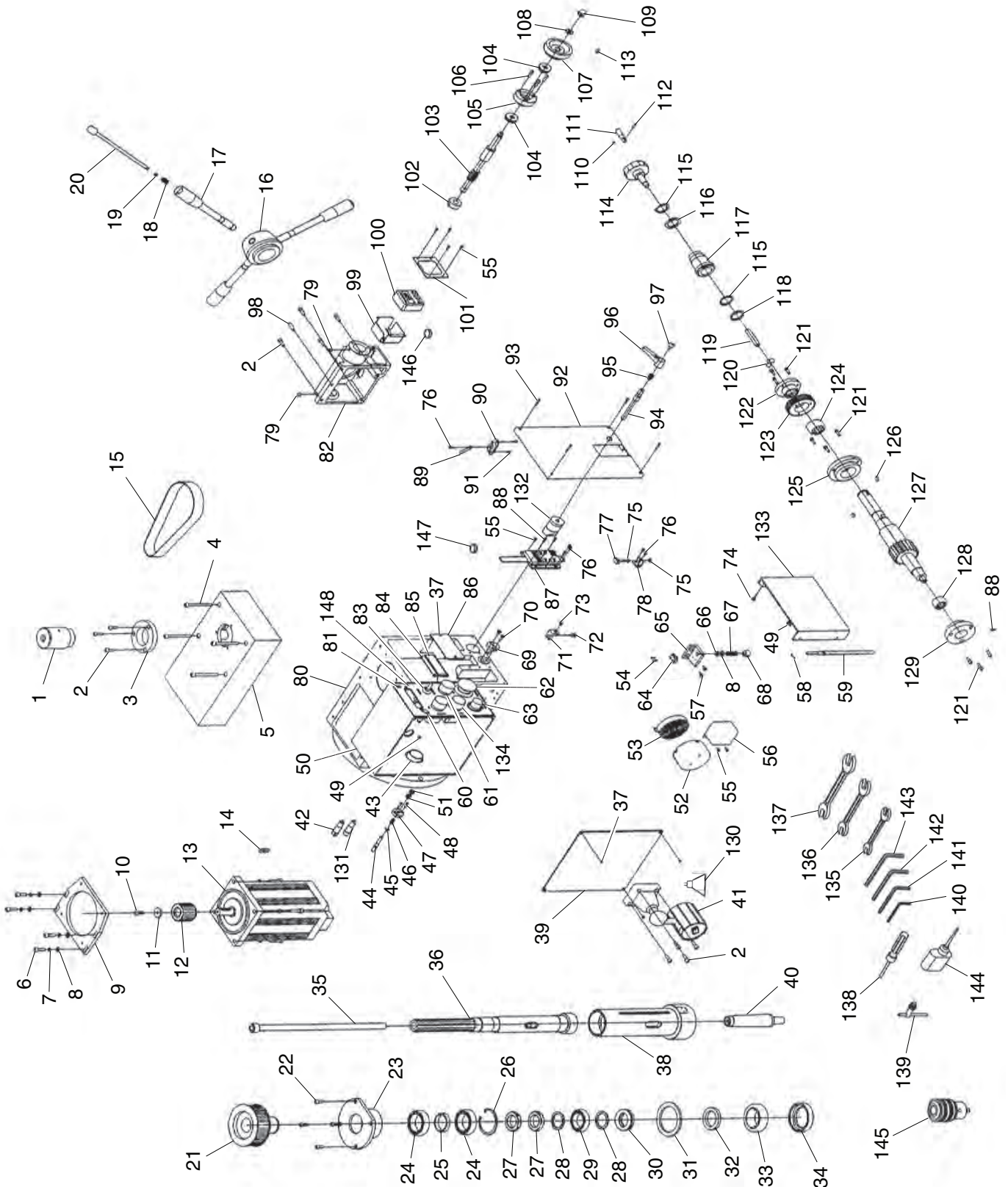


SECTION 9: PARTS

Head Breakdown



Head Parts List

REF	PART #	DESCRIPTION
1	P0720R001	DRAWBAR COVER
2	P0720R002	CAP SCREW M5-.8 X 16
3	P0720R003	FLANGE
4	P0720R004	CAP SCREW M6-1 X 60
5	P0720R005	TOP HEAD COVER
6	P0720R006	CAP SCREW M6-1 X 20
7	P0720R007	LOCK WASHER 6MM
8	P0720R008	FLAT WASHER 6MM
9	P0720R009	SPINDLE MOTOR MOUNTING PLATE
10	P0720R010	CAP SCREW M6-1 X 14
11	P0720R011	MOTOR FLAT WASHER 6MM
12	P0720R012	MOTOR PULLEY
13	P0720R013	SPINDLE MOTOR 2HP 220VDC
14	P0720R014	KEY 6 X 6 X 25
15	P0720R015	RIBBED BELT GATES 535-5M-25
16	P0720R016	COARSE DOWNFEED LEVER HUB
17	P0720R017	COARSE DOWNFEED LEVER
18	P0720R018	COMPRESSION SPRING 0.8 X 6 X 25
19	P0720R019	INT RETAINING RING 10MM
20	P0720R020	SPINDLE ROTATION BUTTON
21	P0720R021	SPINDLE PULLEY
22	P0720R022	PHLP HD SCR M5-.8 X 14
23	P0720R023	BEARING FLANGE
24	P0720R024	BALL BEARING 6908ZZ
25	P0720R025	BEARING SPACER
26	P0720R026	INT RETAINING RING 62MM
27	P0720R027	SPANNER NUT
28	P0720R028	BEARING SPACER
29	P0720R029	BALL BEARING 6907ZZ
30	P0720R030	THRUST BEARING 8107
31	P0720R031	BEARING SPACER
32	P0720R032	BEARING SEAL
33	P0720R033	TAPERED ROLLER BEARING 32008
34	P0720R034	BOTTOM QUILL SEAL
35	P0720R035	DRAWBAR 7/16-20 X 13-1/2
36	P0720R036	SPINDLE R8
37	P0720R037	TAP SCREW 2.9 X 6.5
38	P0720R038	QUILL
39	P0720R039	CONTROL PANEL SIDE COVER
40	P0720R040	CHUCK ARBOR R8-B18
41	P0720R041	WORK LIGHT ASSEMBLY
42	P0720R042	FUSE 1A FAST-BLOW 5 X 20MM
43	P0720R043	STRAIN RELIEF
44	P0720R044	TAPER PIN
45	P0720R045	E-CLIP 5MM

REF	PART #	DESCRIPTION
46	P0720R046	COMPRESSION SPRING 0.8 X 10 X 14
47	P0720R047	FLANGE PLASTIC
48	P0720R048	PHLP HD SCR M3-.5 X 14
49	P0720R049	PHLP HD SCR M4-.7 X 14
50	P0720R050	CONTROL PANEL BOX
51	P0720R051	HEX NUT M6-1
52	P0720R052	SPRING COVER
53	P0720R053	TORSION RETURN SPRING
54	P0720R054	PHLP HD SCR M2-.4 X 10
55	P0720R055	PHLP HD SCR M3-.5 X 8
56	P0720R056	GUARD AXLE BRACKET
57	P0720R057	PHLP HD SCR M4-.7 X 10
58	P0720R058	PHLP HD SCR M3-.5 X 4
59	P0720R059	GUARD AXLE
60	P0720R060	POWER LAMP ZD10
61	P0720R061	START BUTTON LAY7
62	P0720R062	EMERGENCY STOP BUTTON LAY7
63	P0720R063	SPINDLE SPEED DIAL
64	P0720R064	GUARD SAFETY SWITCH
65	P0720R065	SAFETY SWITCH BRACKET
66	P0720R066	HEX NUT M6-1
67	P0720R067	COMPRESSION SPRING 1.4 X 8.2 X 24
68	P0720R068	BUSHING
69	P0720R069	FLANGE
70	P0720R070	PHLP HD SCR M4-.7 X 12
71	P0720R071	STOP DOG
72	P0720R072	PHLP HD SCR M4-.7 X 10
73	P0720R073	MAGNET
74	P0720R074	PHLP HD SCR M4-.7 X 8
75	P0720R075	HEX NUT M4-.7
76	P0720R076	PHLP HD SCR M6-1 X 6
77	P0720R077	SCALE SCREW
78	P0720R078	DIGITAL SCALE BRACKET
79	P0720R079	TAP-IN BALL OILER 6MM
80	P0720R080	HEAD CASTING
81	P0720R081	CONTROL PANEL PLATE
82	P0720R082	WORM GEAR COVER
83	P0720R083	MODE TOGGLE SWITCH
84	P0720R084	TAP SCREW 2.9 X 6.5
85	P0720R085	LCD SCREEN Y-2
86	P0720R086	SPINDLE SPEED READOUT
87	P0720R087	DIGITAL SPINDLE HEIGHT SCALE
88	P0720R088	PIN 3 X 12 PLASTIC
89	P0720R089	BUS BAR
90	P0720R090	CONTACT RACK



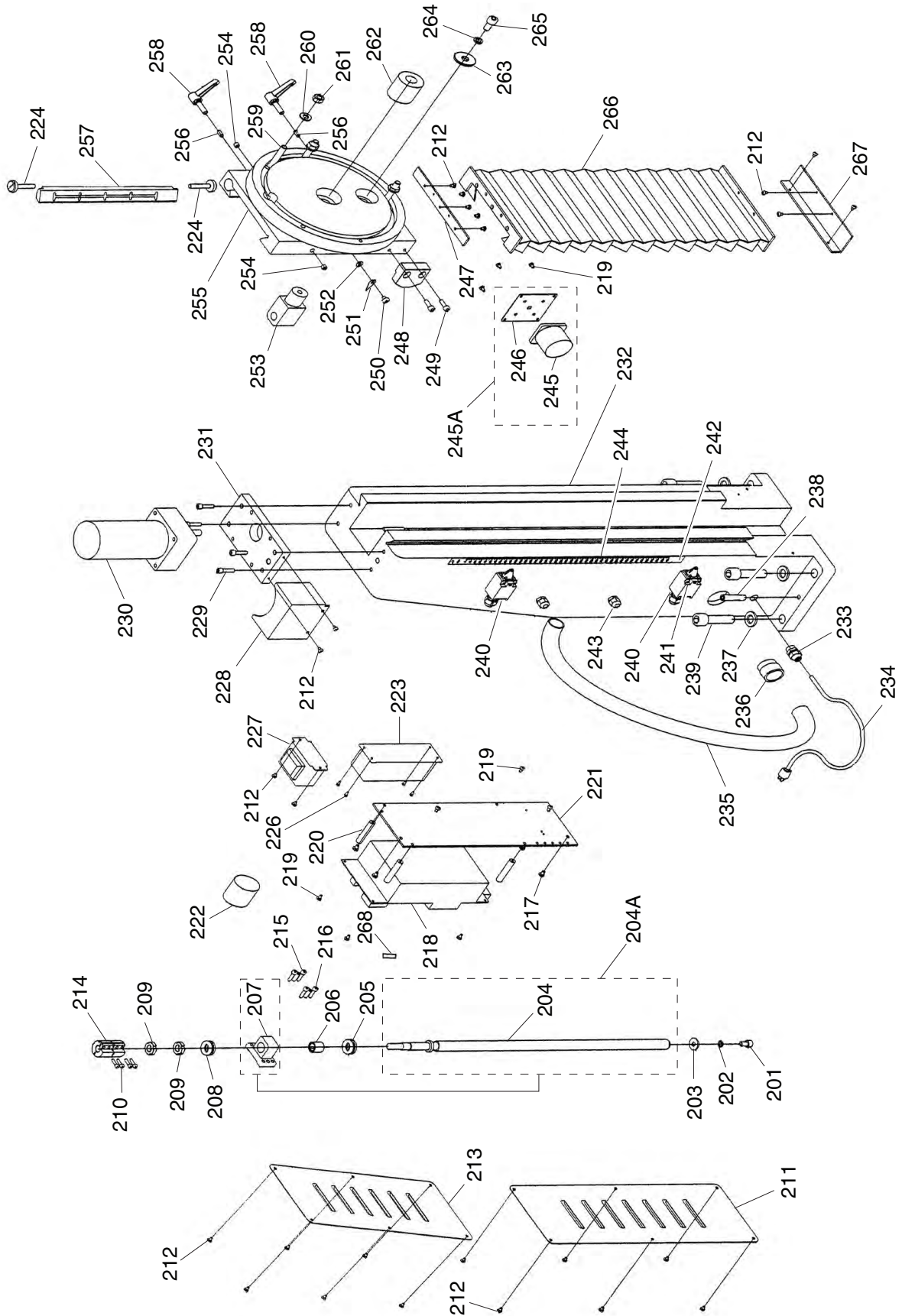
Head Parts List

REF PART #	DESCRIPTION	
91	P0720R091	PHLP HD SCR M3-.5 X 8
92	P0720R092	HEAD FRONT COVER
93	P0720R093	PHLP HD SCR M3-.5 X 20
94	P0720R094	LOCK SCREW
95	P0720R095	COMPRESSION SPRING 0.8 X 10 X 14
96	P0720R096	LOCK HANDLE
97	P0720R097	PHLP HD SCR M6-1 X 10
98	P0720R098	INT THREADED TAPER PIN 6 X 20
99	P0720R099	DIGITAL PROTRACTOR BOX
100	P0720R100	DIGITAL PROTRACTOR
101	P0720R101	DIGITAL PROTRACTOR FRAME
102	P0720R102	LOCK COLLAR
103	P0720R103	WORM SHAFT
104	P0720R104	THRUST BEARING 8101
105	P0720R105	SHAFT FLANGE
106	P0720R106	PHLP HD SCR M4-.7 X 16
107	P0720R107	FINE DOWNFEED HANDWHEEL
108	P0720R108	FLAT WASHER 8MM
109	P0720R109	HEX NUT M8-1.25
110	P0720R110	MAGNET
111	P0720R111	HANDWHEEL HANDLE
112	P0720R112	ROLL PIN 3 X 14
113	P0720R113	FLAP KEY 4 X 10
114	P0720R114	COARSE DOWNFEED HANDWHEEL
115	P0720R115	EXT RETAINING RING 25MM
116	P0720R116	GEAR SHAFT WASHER
117	P0720R117	DIGITAL PROTRACTOR SENSOR
118	P0720R118	SPACER
119	P0720R119	PIN 10 X 55

REF PART #	DESCRIPTION	
120	P0720R120	STEEL BALL 10MM
121	P0720R121	PHLP HD SCR M4-.7 X 14
122	P0720R122	GEAR FLANGE
123	P0720R123	WORM GEAR
124	P0720R124	NEEDLE ROLLER BEARING HK283520
125	P0720R125	SHAFT FLANGE
126	P0720R126	KEY 5 X 5 X 10
127	P0720R127	WORM SHAFT
128	P0720R128	NEEDLE ROLLER BEARING HK222816
129	P0720R129	END FLANGE
130	P0720R130	HALOGEN BULB 24V 60W W/REFLECTOR
131	P0720R131	FUSE 2A FAST-BLOW 5 X 20MM
132	P0720R132	LOCK PLUNGER
133	P0720R133	CHIP SHIELD POLYCARBONATE
134	P0720R134	ELEVATION BUTTON
135	P0720R135	COMBO WRENCH 8/10MM
136	P0720R136	COMBO WRENCH 14/17MM
137	P0720R137	COMBO WRENCH 19/22
138	P0720R138	SPINDLE LOCK PIN
139	P0720R139	CHUCK KEY
140	P0720R140	HEX WRENCH 4MM
141	P0720R141	HEX WRENCH 5MM
142	P0720R142	HEX WRENCH 6MM
143	P0720R143	HEX WRENCH 12MM
144	P0720R144	BOTTLE FOR OIL
145	P0720R145	DRILL CHUCK B18
146	P0720R146	PROTRACTOR BATTERY LITHIUM CR2032
147	P0720R147	SCALE BATTERY ALKALINE SR44
148	P0720R148	CONTROL PANEL CIRCUIT BOARD



Column Breakdown



Column Parts List

REF	PART #	DESCRIPTION
201	P0720R201	PHLP HD SCR M8-1.25 X 12
202	P0720R202	LOCK WASHER 8MM
203	P0720R203	FLAT WASHER 8MM
204A	P0720R204A	LEADSCREW W/NUT ASSEMBLY
204	P0720R204	ELEVATION LEADSCREW
205	P0720R205	THRUST BEARING 8102
206	P0720R206	BUSHING
207	P0720R207	LEADSCREW NUT
208	P0720R208	THRUST BEARING 8102
209	P0720R209	SPANNER NUT
210	P0720R210	CAP SCREW M4-.7 X 16
211	P0720R211	BOTTOM COLUMN COVER
212	P0720R212	PHLP HD SCR M4-.7 X 6
213	P0720R213	TOP COLUMN COVER
214	P0720R214	LEADSCREW COUPLER
215	P0720R215	PHLP HD SCR M5-.8 X 20
216	P0720R216	INT THREADED TAPER PIN 6 X 20
217	P0720R217	PHLP HD SCR M5-.8 X 8
218	P0720R218	MOTOR POWER SUPPLY CIRCUIT BOARD
219	P0720R219	PHLP HD SCR M4-.7 X 8
220	P0720R220	CIRCUIT BOARD STAND-OFF SLEEVE
221	P0720R221	MOTOR POWER CIRCUIT BOARD PLATE
222	P0720R222	S CAPACITOR 14M 450V
223	P0720R223	CIRCUIT BREAKER
224	P0720R224	GIB SCREW
226	P0720R226	PHLP HD SCR M3-.5 X 8
227	P0720R227	TRANSFORMER TDE 2232 110V/240V
228	P0720R228	ELEVATION MOTOR JUNCTION BOX
229	P0720R229	PHLP HD SCR M6-1 X 25
230	P0720R230	ELEVATION MOTOR 1/12HP 110V 1PH
231	P0720R231	ELEVATION MOTOR MOUNTING PLATE
232	P0720R232	COLUMN CASTING
233	P0720R233	STRAIN RELIEF M16 LT
234	P0720R234	POWER CORD 14G 3C 8FT 5-15
235	P0720R235	CORD CONDUIT PLASTIC LT

REF	PART #	DESCRIPTION
236	P0720R236	STRAIN RELIEF LT
237	P0720R237	FLAT WASHER 16MM
238	P0720R238	TAPER PIN 10 X 45
239	P0720R239	CAP SCREW M16-2 X 55
240	P0720R240	ELEVATION TRAVEL LIMIT SWITCH
241	P0720R241	PHLP HD SCR M4-.7 X 30
242	P0720R242	STEEL FLUTED RIVET 2 X 4MM
243	P0720R243	STRAIN RELIEF M12
244	P0720R244	ELEVATION SCALE
245A	P0720R245A	MAIN POWER SWITCH ASSEMBLY
245	P0720R245	MAIN POWER SWITCH
246	P0720R246	SWITCH PLATE
247	P0720R247	TOP WAY COVER PLATE
248	P0720R248	STOP BLOCK
249	P0720R249	CAP SCREW M6-1 X 20
250	P0720R250	PHLP HD SCR M6-1 X 8
251	P0720R251	POINTER
252	P0720R252	FLAT WASHER 6MM
253	P0720R253	TILT NUT
254	P0720R254	TAP-IN BALL OILER 8MM
255	P0720R255	HEAD MOUNTING PLATE
256	P0720R256	LOCK PLUNGER
257	P0720R257	COLUMN GIB
258	P0720R258	LOCK HANDLE ASSEMBLY
259	P0720R259	T-BOLT M10-1.5 X 50
260	P0720R260	FLAT WASHER 10MM
261	P0720R261	HEX NUT M10-1.5
262	P0720R262	CLAMPING SLEEVE
263	P0720R263	TILT FLAT WASHER 10MM
264	P0720R264	LOCK WASHER 10MM
265	P0720R265	CAP SCREW M10-1.5 X 20
266	P0720R266	COLUMN WAY COVER
267	P0720R267	BOTTOM WAY COVER PLATE
268	P0720R268	FUSE 30A FAST-BLOW 1/4" X 1"



Table Breakdown

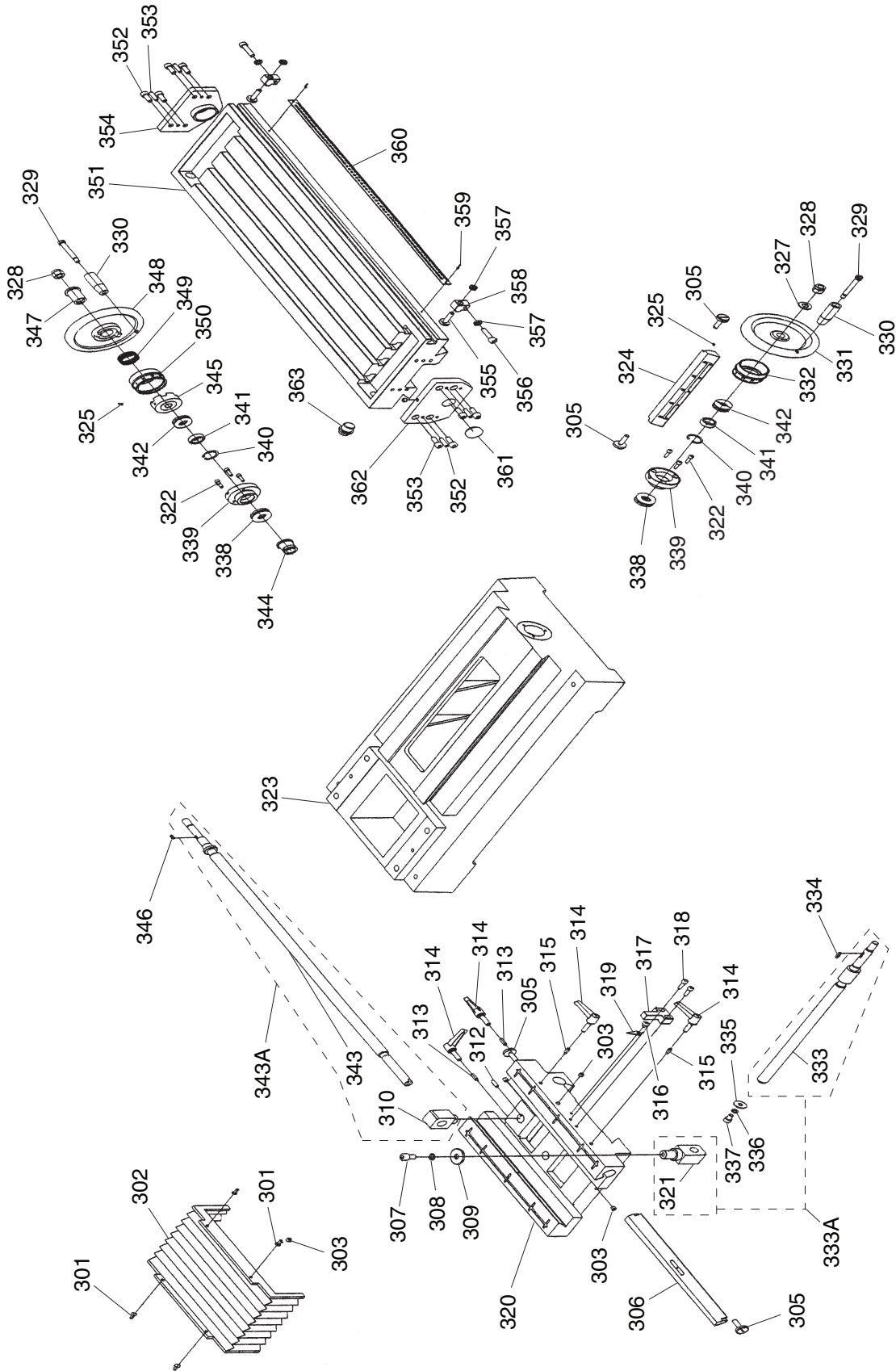


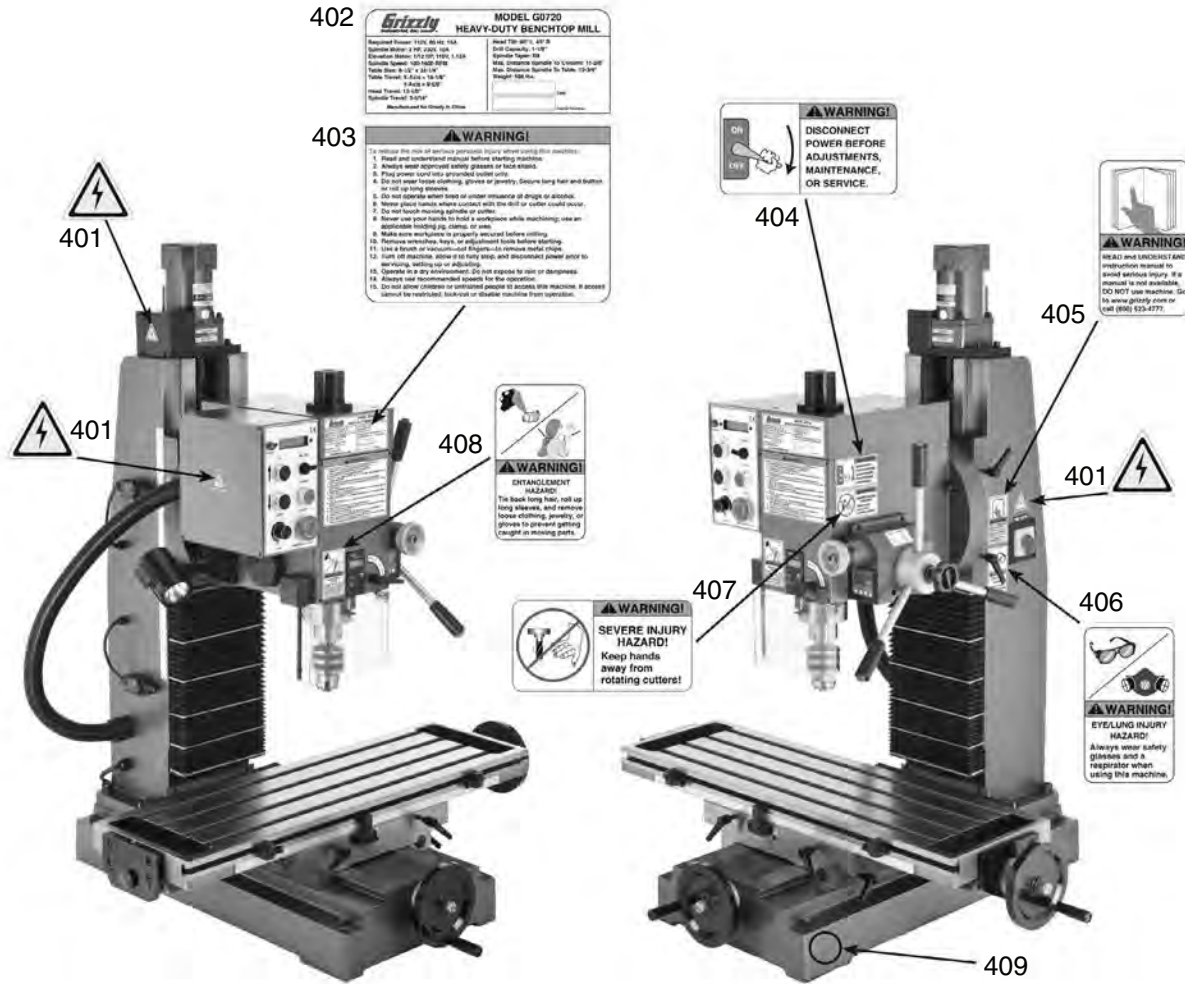
Table Parts List

REF	PART #	DESCRIPTION
301	P0720R301	PHLP HD SCR M5-.8 X 12
302	P0720R302	CROSS WAY COVER
303	P0720R303	TAP-IN BALL OILER 8MM
305	P0720R305	GIB SCREW
306	P0720R306	LONGINTUDINAL TABLE GIB
307	P0720R307	CAP SCREW M10-1.5 X 16
308	P0720R308	LOCK WASHER 10MM
309	P0720R309	FLAT WASHER 10MM
310	P0720R310	LONGITUINAL LEADSCREW NUT
312	P0720R312	SET SCREW M6-1 X 20
313	P0720R313	LOCK PLUNGER
314	P0720R314	LOCK HANDLE ASSEMBLY
315	P0720R315	LOCK PLUNGER
316	P0720R316	PHLP HD SCR M6-1 X 8
317	P0720R317	STATIONARY LIMIT BLOCK
318	P0720R318	CAP SCREW M6-1 X 20
319	P0720R319	POINTER
320	P0720R320	SADDLE CASTING
321	P0720R321	CROSS LEADSCREW NUT
322	P0720R322	CAP SCREW M5-.8 X 16
323	P0720R323	BASE CASTING
324	P0720R324	CROSS TABLE GIB
325	P0720R325	CLIP
327	P0720R327	HANDWHEEL FLAT WASHER 12MM
328	P0720R328	LOCK NUT M12-1.75
329	P0720R329	HANDLE SCREW
330	P0720R330	HANDWHEEL HANDLE
331	P0720R331	CROSS HANDWHEEL
332	P0720R332	CROSS GRADUATED DIAL
333A	P0720R333A	CROSS LEADSCREW W/NUT
333	P0720R333	CROSS LEADSCREW 8 TPI

REF	PART #	DESCRIPTION
334	P0720R334	KEY 4 X 4 X 16
335	P0720R335	FLAT WASHER 8MM
336	P0720R336	LOCK WASHER 8MM
337	P0720R337	CAP SCREW M8-1.25 X 12
338	P0720R338	THRUST BEARING 51203
339	P0720R339	BEARING FLANGE
340	P0720R340	INT RETAINING RING 28MM
341	P0720R341	BALL BEARING 6902ZZ
342	P0720R342	THRUST BEARING 51202
343A	P0720R343A	LONGITUDINAL LEADSCREW W/NUT
343	P0720R343	LONGITUDINAL LEADSCREW 8 TPI
344	P0720R344	SLEEVE COPPER
345	P0720R345	CLUTCH
346	P0720R346	KEY 4 X 4 X 20
347	P0720R347	THREADED BUSHING
348	P0720R348	LONGITUDINAL HANDWHEEL
349	P0720R349	COMPRESSION SPRING
350	P0720R350	LONGITUDINAL GRADUATED DIAL
351	P0720R351	TABLE
352	P0720R352	INT THREADED TAPER PIN 6 X 26
353	P0720R353	CAP SCREW M8-1.25 X 20
354	P0720R354	RIGHT LONGITUDINAL BEARING SEAT
355	P0720R355	T-NUT M8-1.25 X 30
356	P0720R356	CAP SCREW M8-1.25 X 35
357	P0720R357	HEX NUT M8-1.25
358	P0720R358	ADJUSTABLE LIMIT BLOCK
359	P0720R359	STEEL FLUTED RIVET 2 X 4MM
360	P0720R360	LONGITUDINAL SCALE
361	P0720R361	END CAP
362	P0720R362	LEFT LONGITUDINAL BEARING SEAT
363	P0720R363	PLUG DIN910



Label Placement



REF	PART #	DESCRIPTION
401	P0720R401	ELECTRICITY LABEL
402	P0720R402	MACHINE ID LABEL
403	P0720R403	MACHINE WARNING LABEL
404	P0720R404	DISCONNECT POWER WARNING
405	P0720R405	READ MANUAL LABEL

REF	PART #	DESCRIPTION
406	P0720R406	EYE/LUNG HAZARD LABEL
407	P0720R407	ROTATING CUTTER WARNING LABEL
408	P0720R408	ENTANGLEMENT HAZARD LABEL
409	P0720R409	GRIZZLY GREEN TOUCH-UP PAINT

⚠️ WARNING

Safety labels warn about machine hazards and ways to prevent injury. The owner of this machine **MUST** maintain the original location and readability of the labels on the machine. If any label is removed or becomes unreadable, **REPLACE** that label before using the machine again. Contact Grizzly at (800) 523-4777 or www.grizzly.com to order new labels.

