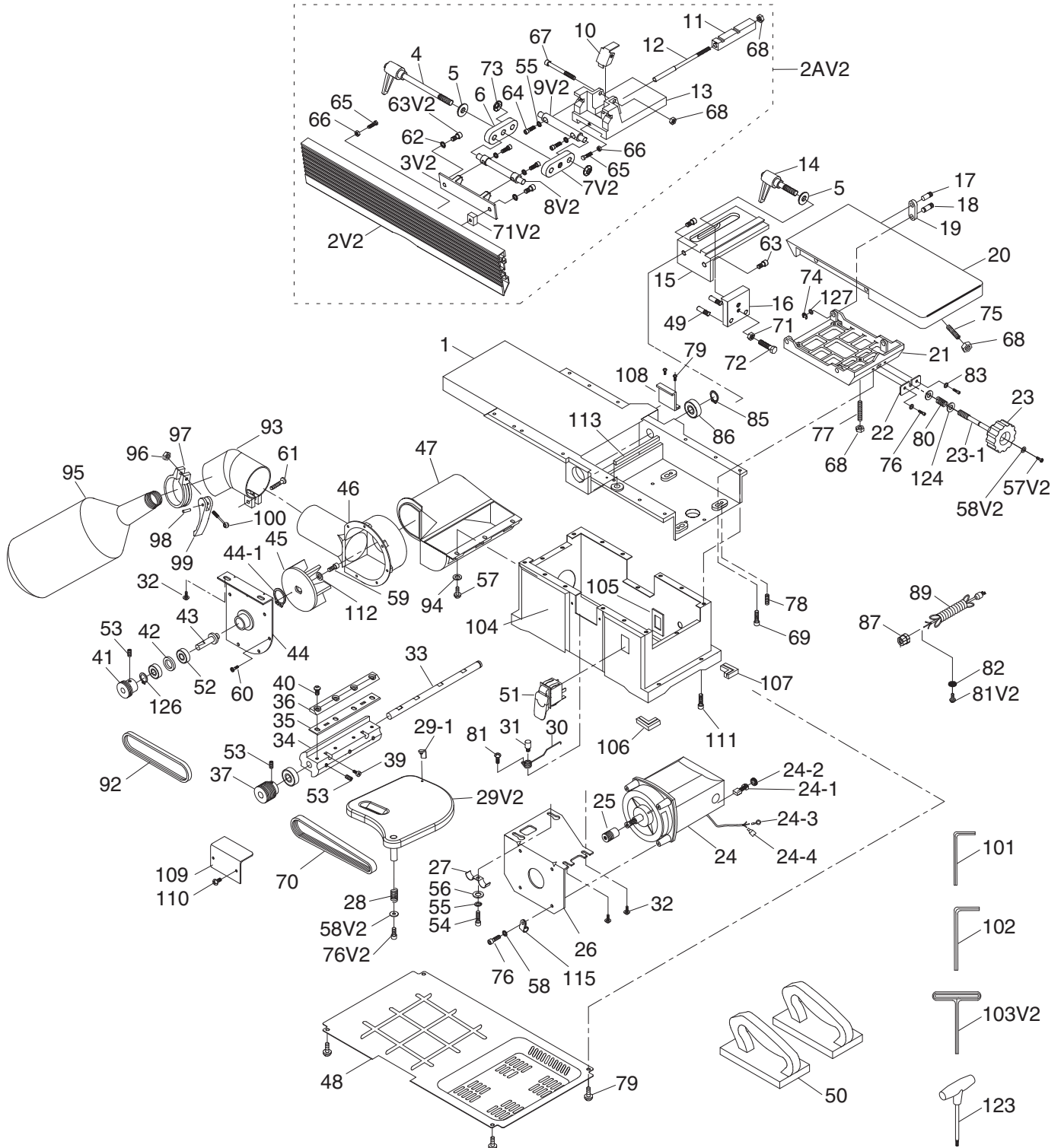


SECTION 9: PARTS

We do our best to stock replacement parts when possible, but we cannot guarantee that all parts shown are available for purchase. Call (800) 523-4777 or visit www.grizzly.com/parts to check for availability.

Main



Main Parts List

REF	PART #	DESCRIPTION
1	P0725001	TABLE
2V2	P0725002V2	FENCE, ALUMINUM V2.08.18
2AV2	P0725002AV2	FENCE ASSEMBLY V2.08.18
3V2	P0725003V2	FENCE PLATE V2.08.18
4	P0725004	FENCE TILTING HANDLE
5	P0725005	FLAT WASHER 8MM
6	P0725006	RIGHT LINK
7V2	P0725007V2	LEFT LINK (TAPERED) V2.03.18
8V2	P0725008V2	PLATE SHAFT (TAPERED) V2.03.18
9V2	P0725009V2	BRACKET SHAFT (TAPERED) V2.03.18
10	P0725010	LIMIT PLATE
11	P0725011	BLOCK
12	P0725012	SHAFT
13	P0725013	FENCE BRACKET
14	P0725014	FENCE SLIDING HANDLE
15	P0725015	FENCE SUPPORT
16	P0725016	LOCKING PLATE
17	P0725017	TABLE PIN
18	P0725018	FRAME PIN
19	P0725019	BRACKET
20	P0725020	INFEED TABLE
21	P0725021	TABLE FRAME
22	P0725022	SUPPORT PLATE
23	P0725023	KNOB 12-LOBE, 8MM, 60MM, ROUND
23-1	P0725023-1	KNOB BOLT
24	P0725024	MOTOR 2HP UNIVERSAL
24-1	P0725024-1	CARBON BRUSH SET
24-2	P0725024-2	BRUSH COVER
24-3	P0725024-3	RING TERMINAL
24-4	P0725024-4	SPADE TERMINAL
25	P0725025	MOTOR PULLEY
26	P0725026	MOTOR MOUNTING PLATE
27	P0725027	CORD CLAMP
28	P0725028	COMPRESSION SPRING
29V2	P0725029V2	CUTTERHEAD GUARD V2.08.18
29-1	P0725029-1	RUBBER BUMPER
30	P0725030	TORSION SPRING
31	P0725031	PIN
32	P0725032	CAP SCREW M6-1 X 12
33	P0725033	SHAFT
34	P0725034	CUTTERHEAD
35	P0725035	KNIVES 2-PC SET 6-1/4" X 7/8" X 3/32"
36	P0725036	KNIFE CLAMP
37	P0725037	DRIVE PULLEY
39	P0725039	JACK SCREW M4-.7 X 10
40	P0725040	BUTTON HD CAP SCR 1/4"-20 x 5/8"
41	P0725041	FAN PULLEY
42	P0725042	SPACER
43	P0725043	FAN SHAFT
44	P0725044	CHIP BLOWER MOUNTING PLATE
44-1	P0725044-1	EXT RETAINING RING 26MM
45	P0725045	IMPELLER
46	P0725046	CHIP EXHAUST
47	P0725047	CHIP COLLECTOR
48	P0725048	BASE BOTTOM

REF	PART #	DESCRIPTION
49	P0725049	ALIGNMENT PIN
50	P0725050	PUSH BLOCKS
51	P0725051	PADDLE SWITCH
52	P0725052	BALL BEARING 6000ZZ
53	P0725053	SET SCREW M6-1 X 10
54	P0725054	CAP SCREW M6-1 X 12
55	P0725055	LOCK WASHER 6MM
56	P0725056	FLAT WASHER 6MM
57V2	P0725057V2	PHLP HD SCR M5-.8 X 14 V2.08.18
58	P0725058	FLAT WASHER 5MM
58V2	P0725058V2	FENDER WASHER 5 X 15.3 X 1.2 V2.09.18
59	P0725059	CAP SCREW M4-.7 X 10
60	P0725060	TAP SCREW M6 X 12
61	P0725061	PHLP HD SCR M6-1 X 20
62	P0725062	LOCK WASHER 8MM
63	P0725063	CAP SCREW M8-1.25 X 20
63V2	P0725063V2	CAP SCREW M8-1.25 X 25 V2.08.18
64	P0725064	CAP SCREW M6-1 X 20
65	P0725065	HEX BOLT M5-.8 X 25
66	P0725066	HEX NUT M5-8
67	P0725067	CAP SCREW M6-1 X 55
68	P0725068	HEX NUT M6-1
69	P0725069	CAP SCREW M6-1 X 30
70	P0725070	RIBBED V-BELT 171J5 NK
71V2	P0725071V2	T-NUT M8-1.25 V2.08.18
72	P0725072	HEX BOLT M8-1.25 X 35
73	P0725073	SHAFT RETAINER M10
74	P0725074	E-CLIP 6MM
75	P0725075	SET SCREW M6-1 X 30
76	P0725076	CAP SCREW M6-1 X 30
76V2	P0725076V2	CAP SCREW M5-.8 X 10 V2.08.18
77	P0725077	SET SCREW M6-1 X 35
78	P0725078	SET SCREW M6-1 X 16
79	P0725079	PHLP HD SCR M5-.8 X 8
80	P0725080	COMPRESSION SPRING 14 X 10 X 2
81V2	P0725081V2	PHLP HD SCR M5-.8 X 10 V2.08.18
82	P0725082	EXT TOOTHED WASHER 4MM
83	P0725083	LOCK WASHER 5MM
85	P0725085	EXT RETAINING RING 12MM
86	P0725086	BALL BEARING 6201ZZ
87	P0725087	STRAIN RELIEF STR SNAP-IN 5/8"
89	P0725089	POWER CORD 16G 3W 5-15
92	P0725092	FAN RIBBED V-BELT V1.25-7A
93	P0725093	DUST CHUTE
94	P0725094	FLAT WASHER 5MM
95	P0725095	DUST COLLECTION BAG
96	P0725096	HEX NUT M6-1
97	P0725097	CLAMP 60MM
98	P0725098	SOLID PIN 4.5 X 20MM
99	P0725099	CLAMP HANDLE
100	P0725100	SWING BOLT M6-1 X 50
101	P0725101	HEX WRENCH 5MM
102	P0725102	HEX WRENCH 6MM
103V2	P0725103V2	4MM SHORT T-HANDLE HEX WRENCH
104	P0725104	BASE

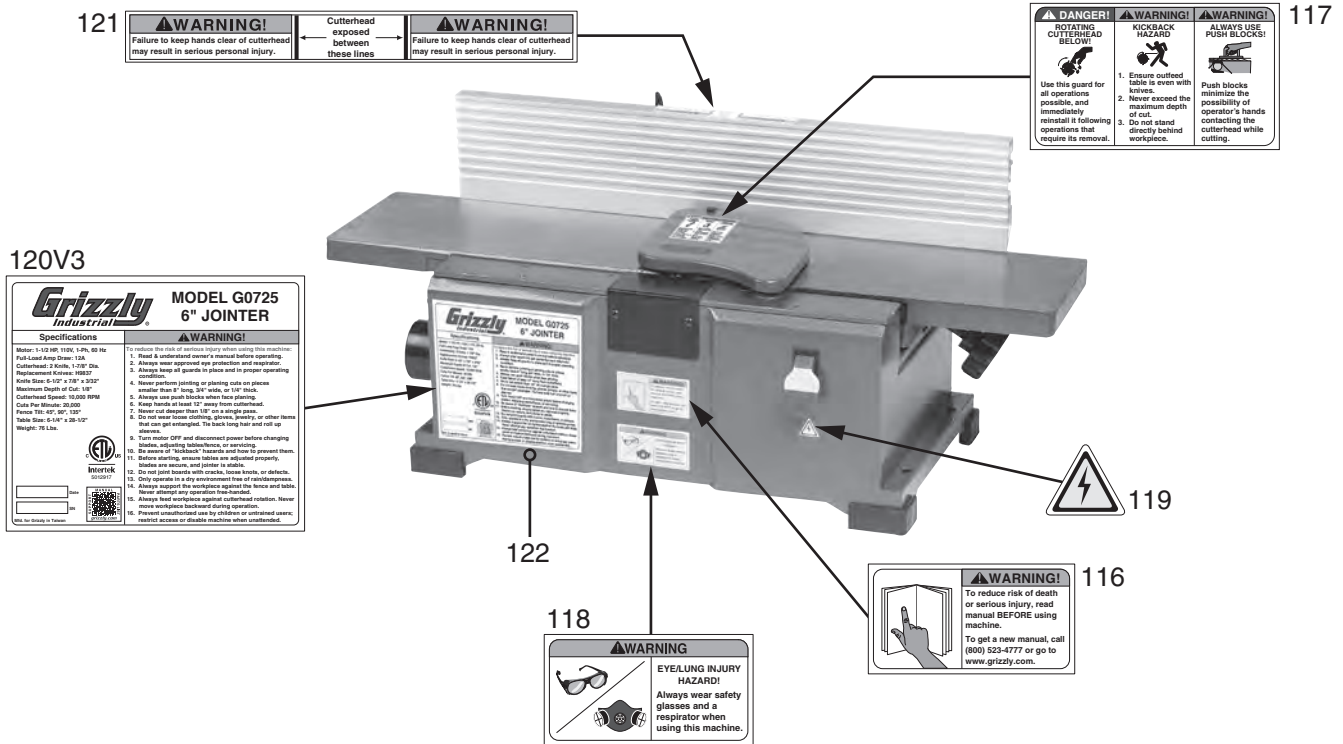


Main Parts List (Cont.)

REF	PART #	DESCRIPTION
105	P0725105	SWITCH MOUNTING PLATE
106	P0725106	RIGHT RUBBER FOOT
107	P0725107	LEFT RUBBER FOOT
108	P0725108	GUARD PLATE
109	P0725109	CUTTERHEAD COVER
110	P0725110	PHLP HD SCR M5-.8 X 6
111	P0725111	CAP SCREW M6-1 X 8

REF	PART #	DESCRIPTION
112	P0725112	FENDER WASHER 5MM
113	P0725113	INFEED TABLE SUPPORT ARM
115	P0725115	WIRE RESTRAINT
123	P0725123	T-HANDLE TORX DRIVER T-30
124	P0725124	FLAT WASHER 10MM
126	P0725126	EXT RETAINING RING 4MM
127	P0725127	FLAT WASHER 6MM

Labels & Cosmetics



REF	PART #	DESCRIPTION
116	P0725116	READ MANUAL LABEL
117	P0725117	CUTTERHEAD GUARD LABEL
118	P0725118	EYE/LUNG HAZARD LABEL
119	P0725119	ELECTRICITY LABEL

REF	PART #	DESCRIPTION
120V3	P0725120V3	MACHINE ID LABEL V3.05.20
121	P0725121	CUTTERHEAD EXPOSURE LABEL
122	P0725122	TOUCH-UP PAINT GRIZZLY GREEN

WARNING

Safety labels help reduce the risk of serious injury caused by machine hazards. If any label comes off or becomes unreadable, the owner of this machine **MUST** replace it in the original location before resuming operations. For replacements, contact (800) 523-4777 or www.grizzly.com.

