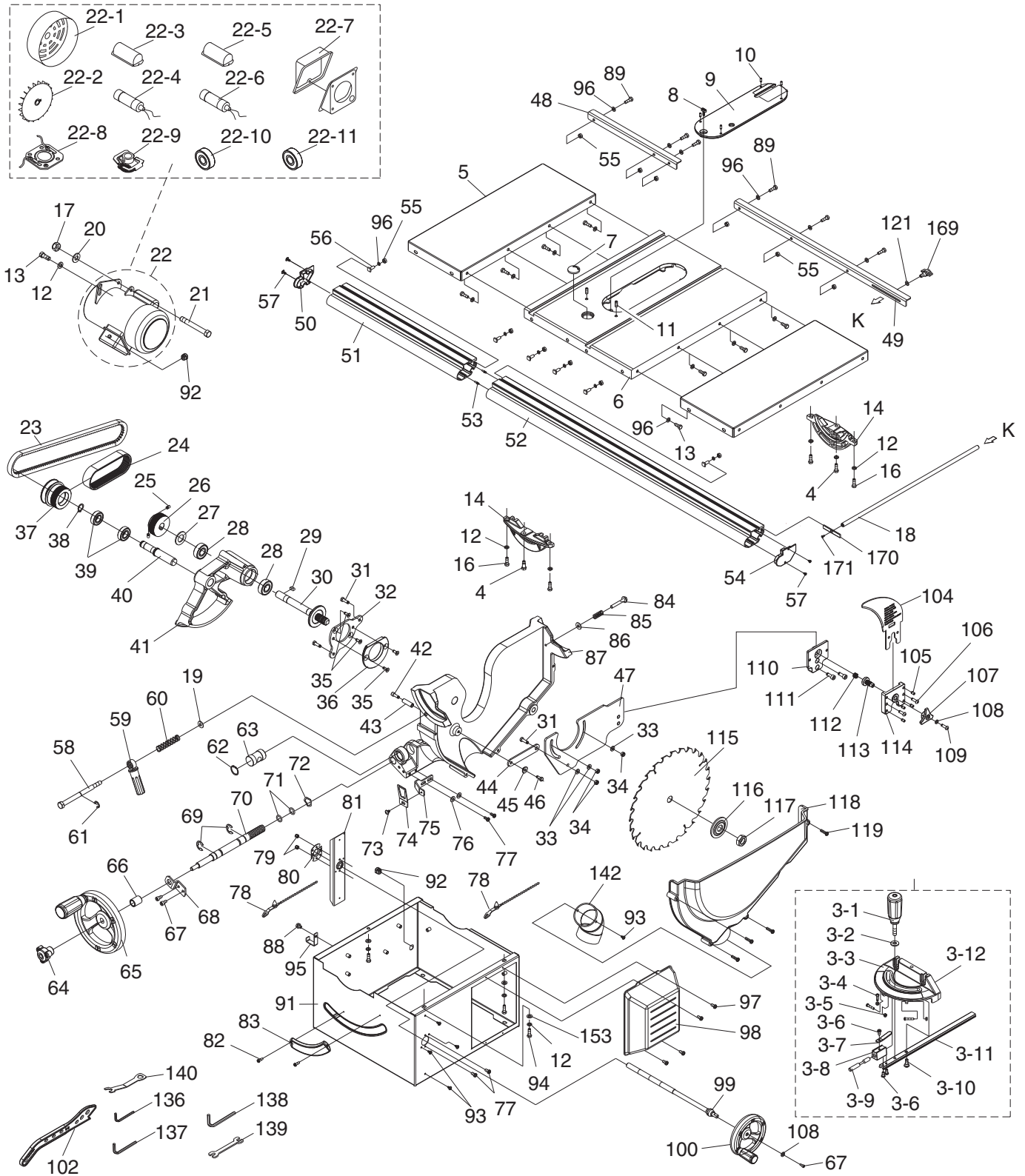


SECTION 10: PARTS

Main



Main Parts List

REF	PART #	DESCRIPTION
3	P0732003	MITER GAUGE ASSEMBLY
3-1	P0732003-1	MITER GAUGE HANDLE
3-2	PW01M	FLAT WASHER 8MM
3-3	P0732003-3	MITER GAUGE BODY
3-4	PS52M	PHLP HD SCR M4-.7 X 20
3-5	PN04M	HEX NUT M4-.7
3-6	PS09M	PHLP HD SCR M5-.8 X10
3-7	P0732003-7	MITER GAUGE POINTER
3-8	P0732003-8	SLIDING SHAFT BLOCK
3-9	P0732003-9	SLIDING SHAFT
3-10	P0732003-10	SHOULDER SCREW M7 X 4, M6-1 X 8
3-11	P0732003-11	MITER GAUGE PLATE
3-12	P0732003-12	MITER GAUGE SCALE LABEL
4	P0732004	SHOULDER BOLT M15.5 X 10, M8-1.25 X 8
5	P0732005	EXTENSION WING
6	P0732006	TABLE
7	P0732007	ALIGN-A-CUT MARKER
8	P0732008	LOCK KNOB M5-.8
9	T21876	ZERO CLEARANCE TABLE INSERT
10	PSS53M	SET SCREW M5-.8 X 12
11	PSS09M	SET SCREW M8-1.25 X 20
12	PLW04M	LOCK WASHER 8MM
13	PB09M	HEX BOLT M8-1.25 X 20
14	P0732014	TRUNNION
16	PB07M	HEX BOLT M8-1.25 X 25
17	PLN05M	LOCK NUT M10-1.5
18	P0732018	RAIL SUPPORT SHAFT
20	PW04M	FLAT WASHER 10MM
21	PB13M	HEX BOLT M10-1.5 X 80
22	P0732022	MOTOR 1.5HP 1PH 110/220V
22-1	P0732022-1	MOTOR FAN COVER
22-2	P0732022-2	MOTOR FAN
22-3	P0732022-3	R CAPACITOR COVER
22-4	P0732022-4	R CAPACITOR 30M 350V 1-1/2 X 2-3/8
22-5	P0732022-5	S CAPACITOR COVER
22-6	P0732022-6	S CAPACITOR 200M 250V 1-3/8 X 3-1/8
22-7	P0732022-7	MOTOR JUNCTION BOX
22-8	P0732022-8	CONTACT PLATE
22-9	P0732022-9	CENTRIFUGAL SWITCH
22-10	P0732022-10	FRONT MOTOR BEARING
22-11	P0732022-11	REAR MOTOR BEARING
23	P0732023	BELT 17-320
24	P0732024	RIBBED V-BELT 125J-6
25	PSS01M	SET SCREW M6-1 X 10
26	P0732026	SPINDLE PULLEY
27	P0732027	SPINDLE WASHER 15MM
28	P6202-2RS	BALL BEARING 6202 2RS
29	PK14M	KEY 5 X 5 X 18
30	P0732030	ARBOR SPINDLE
31	PB08M	HEX BOLT M6-1 X 20
32	P0732032	SPINDLE PLATE
33	PW03M	FLAT WASHER 6MM
34	PLN03M	LOCK NUT M6-1
35	PFH02M	FLAT HD SCR M6-1 X 12
36	P0732036	SPINDLE BRACKET

REF	PART #	DESCRIPTION
37	P0732037	TRANSFER PULLEY
38	PR05M	EXT RETAINING RING 15MM
39	P6002-2RS	BALL BEARING 6002-2RS
40	P0732040	TRANSFER PULLEY SHAFT
41	P0732041	GEARED BEARING HOUSING
42	PCAP05M	CAP SCREW M8-1.25 X 50
43	P0732043	BUSHING
44	P0732044	LINK ARM
45	P0732045	BUSHING
46	PB107M	HEX BOLT M5-.8 X 12
47	P0732047	RIVING KNIFE MOUNTING PLATE
48	P0732048	LEFT REAR RAIL
49	P0732049	RIGHT REAR RAIL
50	P0732050	LEFT FRONT RAIL CAP
51	P0732051	LEFT FRONT RAIL
52	P0732052	RIGHT FRONT RAIL
53	P0732053	RAIL MOUNTING PIN
54	P0732054	RIGHT FRONT RAIL CAP
55	PN03M	HEX NUT M8-1.25
56	P0732056	T-BOLT M8-1.25 X 20
57	PHTEK15M	TAP SCREW M4 X 10
58	P0732058	TRUNNION ANGLE LOCK SHAFT
59	P0732059	LOCK SHAFT HANDLE
60	P0732060	COMPRESSION SPRING
61	PEC015M	E-CLIP 8MM
62	PR93M	INT RETAINING RING 24MM
63	P0732063	HANDWHEEL SHAFT
64	P0732064	BLADE HEIGHT LOCK KNOB
65	P0732065	BLADE HEIGHT HANDWHEEL
66	P0732066	HEIGHT HANDWHEEL BUSHING
67	PCAP33M	CAP SCREW M5-.8 X 12
68	P0732068	HANDWHEEL MOUNTING PLATE
69	PEC12M	E-CLIP 12MM
70	P0732070	HEIGHT LEADSCREW
71	PORP012	O-RING 11.8 X 2.4 P12
72	P0732072	WAVE WASHER 16MM
73	P0732073	PHLP HD SCR M4-.7 W/WASHER
74	P0732074	BLADE ANGLE POINTER
75	P0732075	BLADE ANGLE POINTER BRACKET
76	PW03M	FLAT WASHER 6MM
77	PS08M	PHLP HD SCR SCREW M5-.8 X 12
78	P0732078	CHAIN
79	PLN02M	LOCK NUT M5-.8
80	P0732080	TILT LEADSCREW BRACKET
81	P0732081	TILT LEADSCREW SUPPORT PLATE
82	PS02M	PHLP HD SCR M4-.7 X 12
83	P0732083	TILT PLATE W/SCALE
84	PFB28M	FLANGE BOLT M6-1 X 40
85	P0732085	COMPRESSION SPRING
86	PW03M	FLAT WASHER 6MM
87	P0732087	TRUNNION BRACKET
88	P0732088	HEX BOLT M8-1.25 X 10 W/WASHER
89	PCAP14M	CAP SCREW M8-1.25 X 20
91	P0732091	CABINET
92	P0732092	STRAIN RELIEF SB8R-1



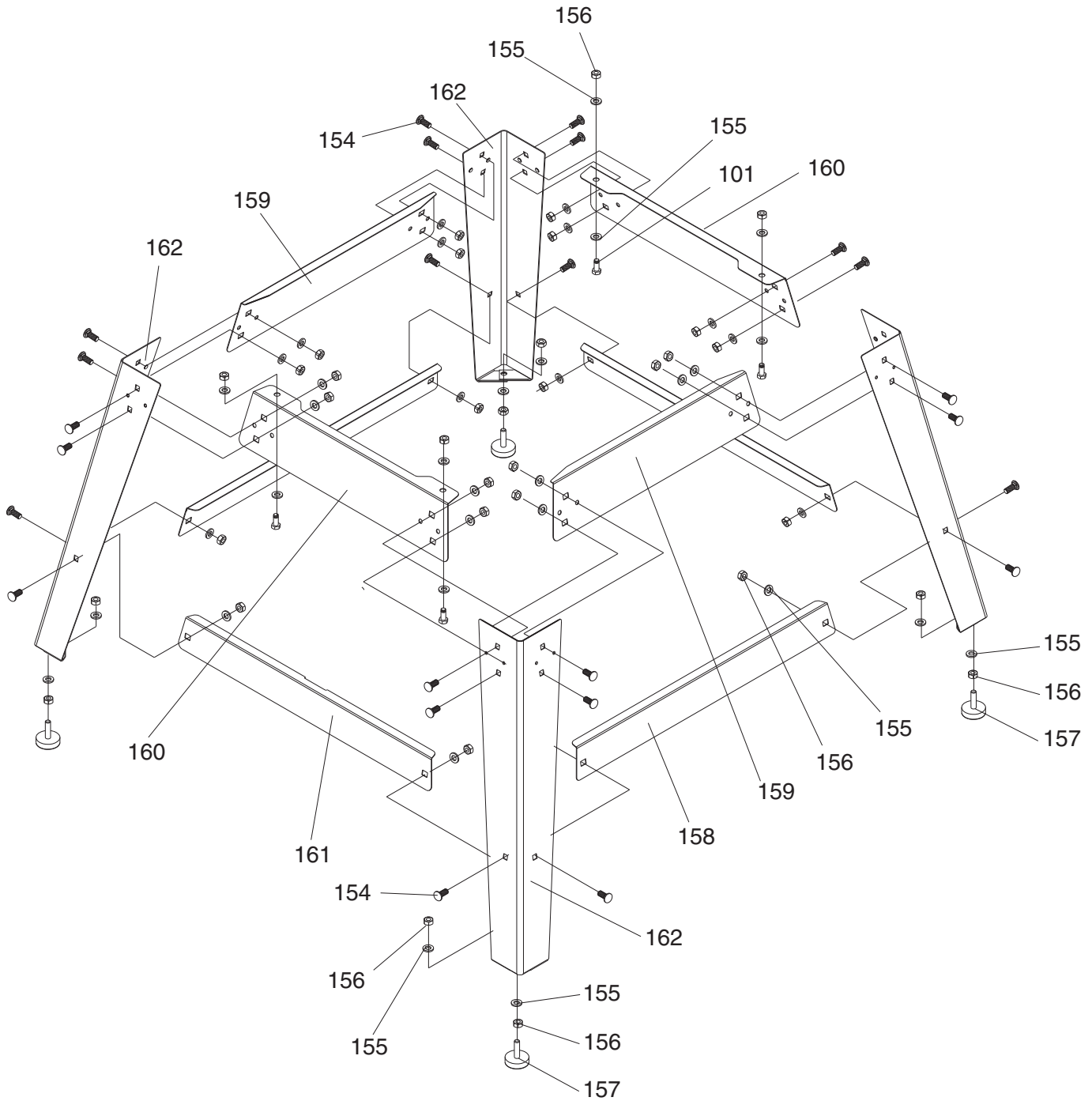
Main Parts List

REF	PART #	DESCRIPTION
93	PHTEK15M	TAP SCREW M4 X 9
94	PB03M	HEX BOLT M8-1.25 X 16
95	P0732095	PUSH STICK HOLDER
96	PLW04M	LOCK WASHER 8MM
97	PS38M	PHLP HD SCR M4-.7 X 10
98	P0732098	MOTOR ACCESS COVER
99	P0732099	LEADSCREW TILT SHAFT
100	P0732100	BLADE TILT HANDWHEEL
102	P0732102	PUSH STICK
104	P0732104	RIVING KNIFE
105	PSS31M	SET SCREW M5-.8 X 8
106	PBHS16M	BUTTON HD CAP SCR M5-.8 X 16
107	P0732107	STAR HANDLE
108	PLW01M	LOCK WASHER 5MM
109	PBHS06M	BUTTON HD CAP SCR M5-.8 X 12
110	P0732110	MOUNTING BASE
111	PCAP52M	CAP SCREW M8-1.25 X 10
112	P0732112	COMPRESSION SPRING

REF	PART #	DESCRIPTION
113	P0732113	LOCKING BOLT
114	P0732114	MOUNTING PLATE
115	P0732115	BLADE 10" X 40T
116	P0732116	BLADE MOUNTING FLANGE
117	P0732117	ARBOR NUT 5/8"-12 RH
118	P0732118	BLADE COVER
119	PS60M	PHLP HD SCR M5-.8 X 30
121	PW03M	FLAT WASHER 6MM
136	PAW02.5M	HEX WRENCH 2.5MM
137	PAW04M	HEX WRENCH 4MM
138	PAW06M	HEX WRENCH 6MM
139	PWR1113	WRENCH 11 X 13 OPEN ENDS
140	P0732140	ARBOR WRENCH 25MM
142	P0732142	DUST CHUTE
153	PW01M	FLAT WASHER 8MM
169	P0732169	KNOB M6-1 X 12
170	P0732170	REAR SLIDING PLATE
171	PFH25M	FLAT HD SCR M4-.7 X 12



Stand

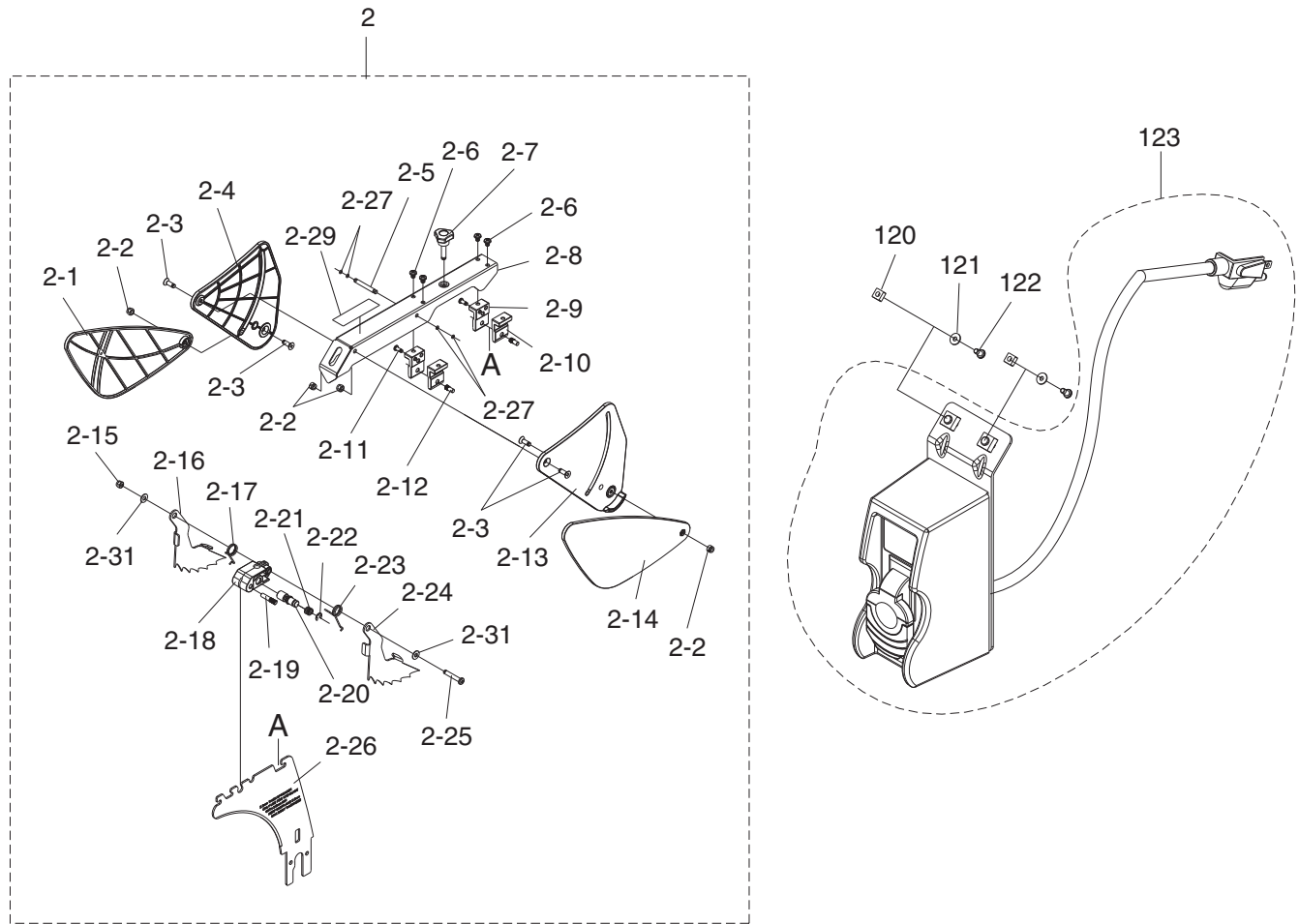


REF	PART #	DESCRIPTION
101	PB09M	HEX BOLT M8-1.25 X 20
154	PCB06M	CARRIAGE BOLT M8-1.25 X 16
155	PW01M	FLAT WASHER 8MM
156	PN03M	HEX NUT M8-1.25
157	P0732157	RUBBER FOOT M8-1.25 X 20

REF	PART #	DESCRIPTION
158	P0732158	LONG LOWER STAND BRACE
159	P0732159	LONG UPPER STAND BRACE
160	P0732160	SHORT UPPER STAND BRACE
161	P0732161	SHORT LOWER STAND BRACE
162	P0732162	STAND LEG



Guard & Switch

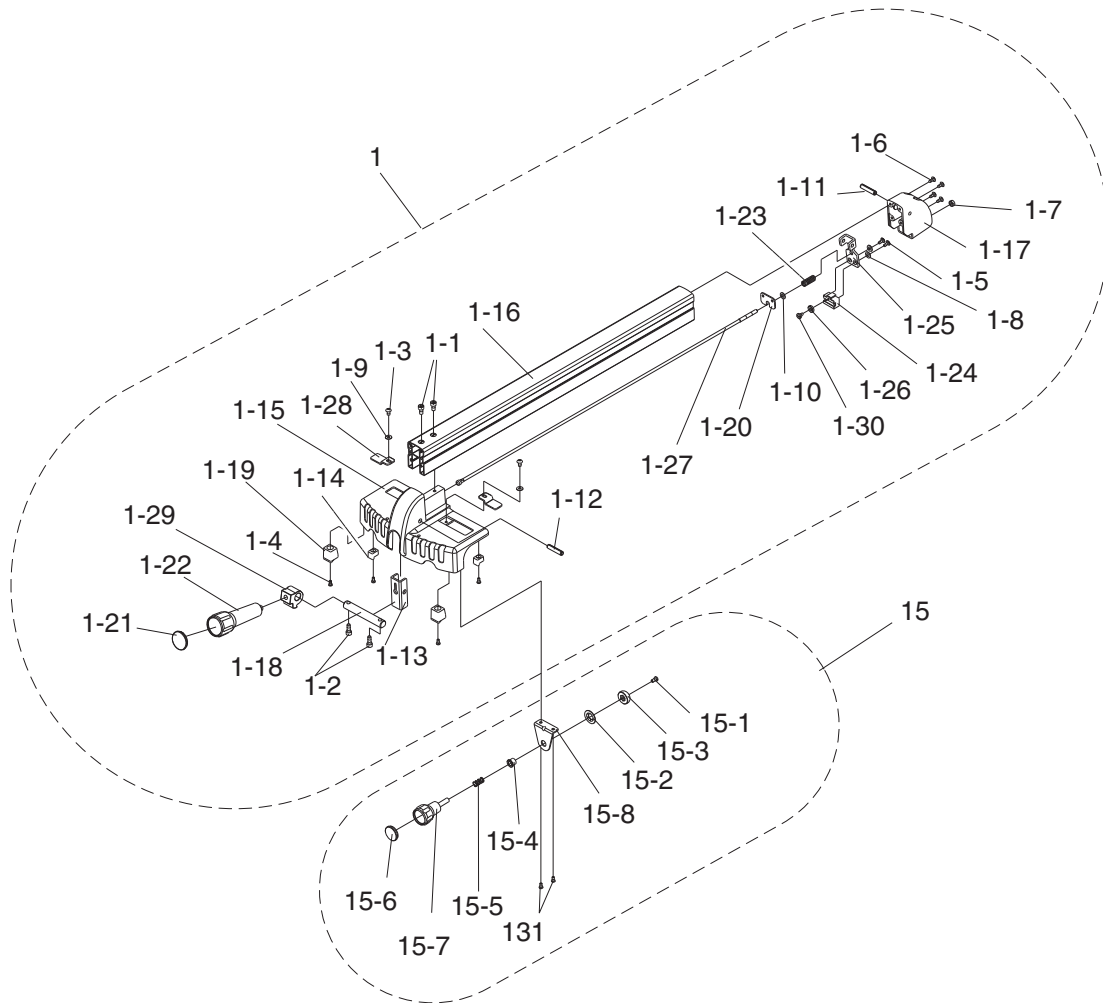


REF	PART #	DESCRIPTION
2	P0732002	BLADE GUARD ASSEMBLY
2-1	P0732002-1	LEFT PLATE
2-2	PLN02M	LOCK NUT M5-.8
2-3	PFH01M	FLAT HD SCR M5-.8 X 15
2-4	P0732002-4	LEFT COVER
2-5	P0732002-5	ROD CENTER PIN
2-6	PS19M	PHLP HD SCR M5-.8 X 6
2-7	P0732002-7	KNOB BOLT
2-8	P0732002-8	ROD
2-9	P0732002-9	LEFT BRACKET
2-10	P0732002-10	RIGHT BRACKET
2-11	PBHS24M	BUTTON HD CAP SCR M4-.7 X 10
2-12	P0732002-12	MOUNTING PIN
2-13	P0732002-13	RIGHT COVER
2-14	P0732002-14	RIGHT PLATE
2-15	PLN02M	LOCK NUT M5-.8
2-16	P0732002-16	LEFT PAWL

REF	PART #	DESCRIPTION
2-17	P0732002-17	RIGHT TORSION SPRING
2-18	P0732002-18	PAWL MOUNTING BRACKET
2-19	P0732002-19	MOUNTING BRACKET PIN
2-20	P0732002-20	MOUNTING BRACKET SHAFT
2-21	P0732002-21	SHAFT SPRING
2-22	PEC07M	E-CLIP 7MM
2-23	P0732002-23	LEFT TORSION SPRING
2-24	P0732002-24	RIGHT PAWL
2-25	PS60M	PHLP HD SCR M5-.8 X 30
2-26	P0732002-26	SPREADER
2-27	PORP003	O-RING 2.8 X 1.9 P3
2-29	P0732202	BLADE GUARD LABEL
2-31	PW02M	FLAT WASHER 5MM
120	PSN02M	SQUARE NUT M6-1
121	PW03M	FLAT WASHER 6MM
122	PS14M	PHLP HD SCR M6-1 X 12
123	P0732123	SWITCH ASSY W/CORD 14G 3C 5-15



Fence

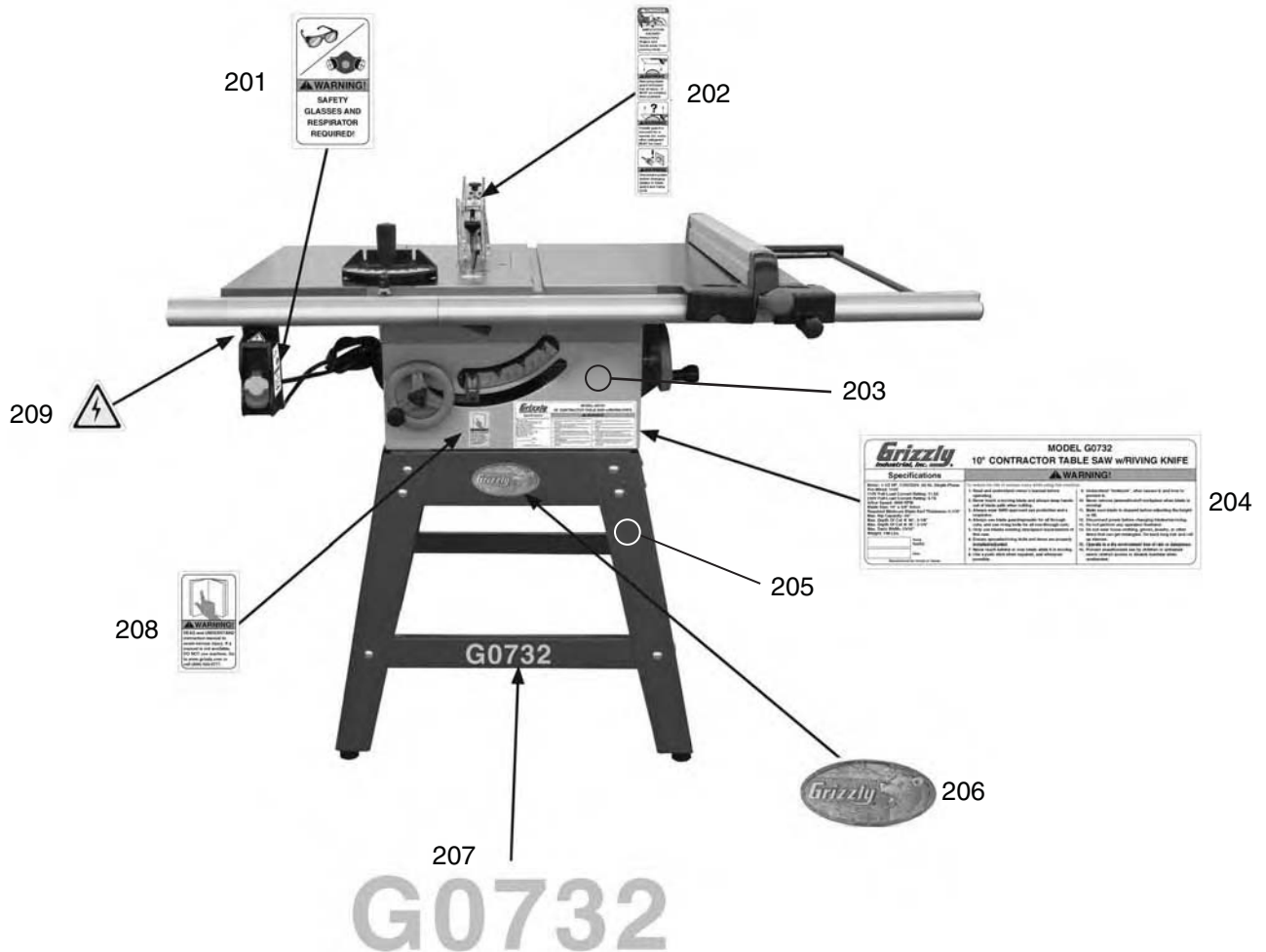


REF	PART #	DESCRIPTION
1	P0732001	FENCE ASSEMBLY
1-1	PCAP04M	CAP SCREW M6-1 X 10
1-2	PCAP02M	CAP SCREW M6-1 X 20
1-3	PS05M	PHLP HD SCR M5-.8 X 8
1-4	PHTEK4M	TAP SCREW M4 X 8
1-5	PS38M	PHLP HD SCR M4-.7 X 10
1-6	PHTEK6M	TAP SCREW M4 X 16
1-7	PLN03M	LOCK NUT M6-1
1-8	PW05M	FLAT WASHER 4MM
1-9	PW02M	FLAT WASHER 5MM
1-10	PW03M	FLAT WASHER 6MM
1-11	PRP32M	ROLL PIN 6 X 40
1-12	PRP110M	ROLL PIN 8 X 40
1-13	P0732001-13	PLATE
1-14	P0732001-14	REAR SLIDING BLOCK
1-15	P0732001-15	FRONT FENCE BLOCK
1-16	P0732001-16	FENCE TUBE
1-17	P0732001-17	FENCE CAP
1-18	P0732001-18	SHAFT
1-19	P0732001-19	FRONT SLIDING BLOCK
1-20	P0732001-20	TIGHTENING ROD PLATE

REF	PART #	DESCRIPTION
1-21	P0732001-21	FENCE HANDLE CAP
1-22	P0732001-22	FENCE HANDLE
1-23	P0732001-23	COMPRESSION SPRING
1-24	P0732001-24	LOCKING PLATE BLOCK
1-25	P0732001-25	LOCKING PLATE
1-26	P0732001-26	PLASTIC FLAT WASHER 6MM
1-27	P0732001-27	FENCE TIGHTENING ROD
1-28	P0732001-28	POINTER
1-29	P0732001-29	CAM
1-30	P0732001-30	SHOULDER SCREW M4 X 6, M4-.7 X 5
15	P0732015	MICRO ADJUSTMENT ASSY
15-1	PS05M	PHLP HD SCR M5-.8 X 8
15-2	P0732015-2	INT TOOTH WASHER 12MM
15-3	P0732015-3	RUBBER WHEEL
15-4	P0732015-4	BUSHING
15-5	P0732015-5	COMPRESSION SPRING
15-6	P0732015-6	MICRO ADJUSTMENT KNOB CAP
15-7	P0732015-7	ADJUSTMENT KNOB M5-.8
15-8	P0732015-8	ADJUSTMENT KNOB BRACKET
131	PS05M	PHLP HD SCR M5-.8 X 8



Label Placement



REF	PART #	DESCRIPTION
201	PLABEL-57	GLASSES/RESPIRATOR LABEL
202	P0732202	BLADE GUARD LABEL
203	PPAINT-11	PUTTY TOUCH-UP PAINT
204	P0732204	MACHINE ID LABEL
205	PPAINT-1	GRIZZLY GREEN TOUCH-UP PAINT

REF	PART #	DESCRIPTION
206	G9987	GRIZZLY NAMEPLATE
207	P0732207	MODEL NUMBER LABEL
208	PLABEL-12C	READ MANUAL LABEL 1.5W X 2.5H
209	PLABEL-14	ELECTRICITY LABEL

⚠️ WARNING

Safety labels help reduce the risk of serious injury caused by machine hazards. If any label comes off or becomes unreadable, the owner of this machine **MUST** replace it in the original location before resuming operations. For replacements, contact (800) 523-4777 or www.grizzly.com.

