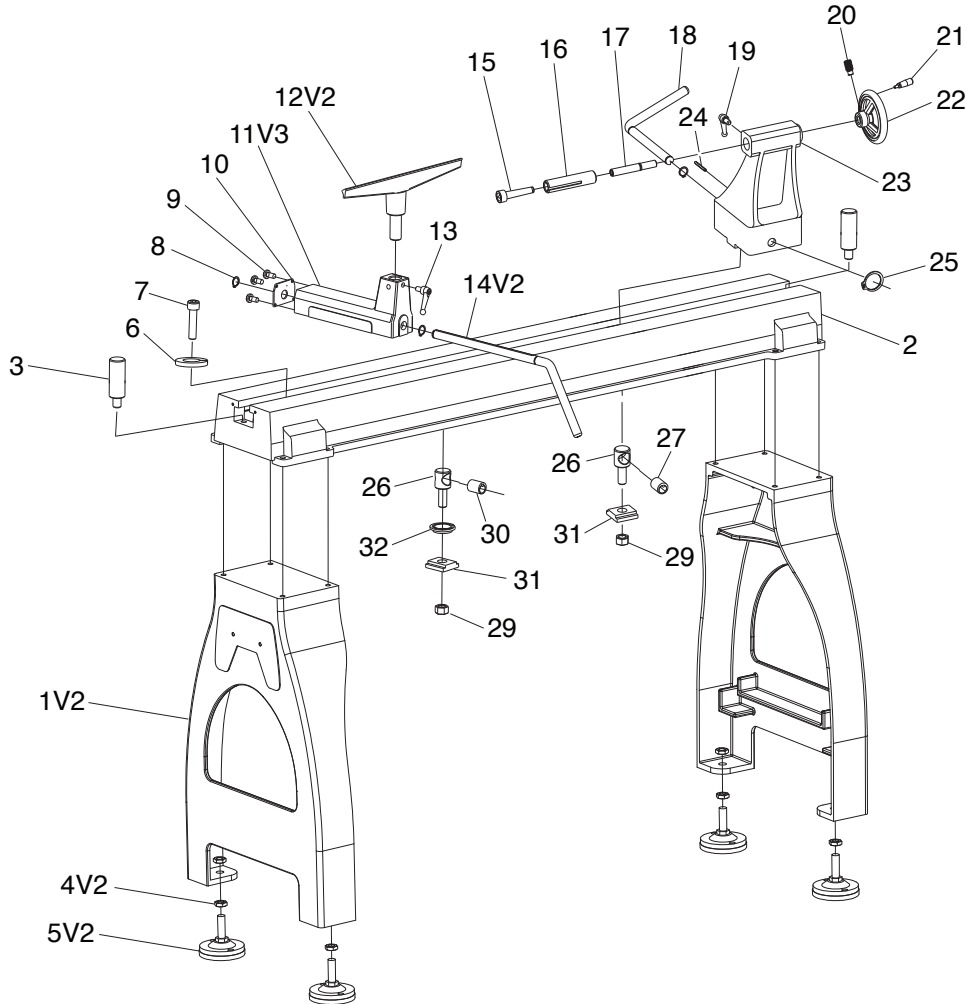


# SECTION 9: PARTS

## Stand & Bed

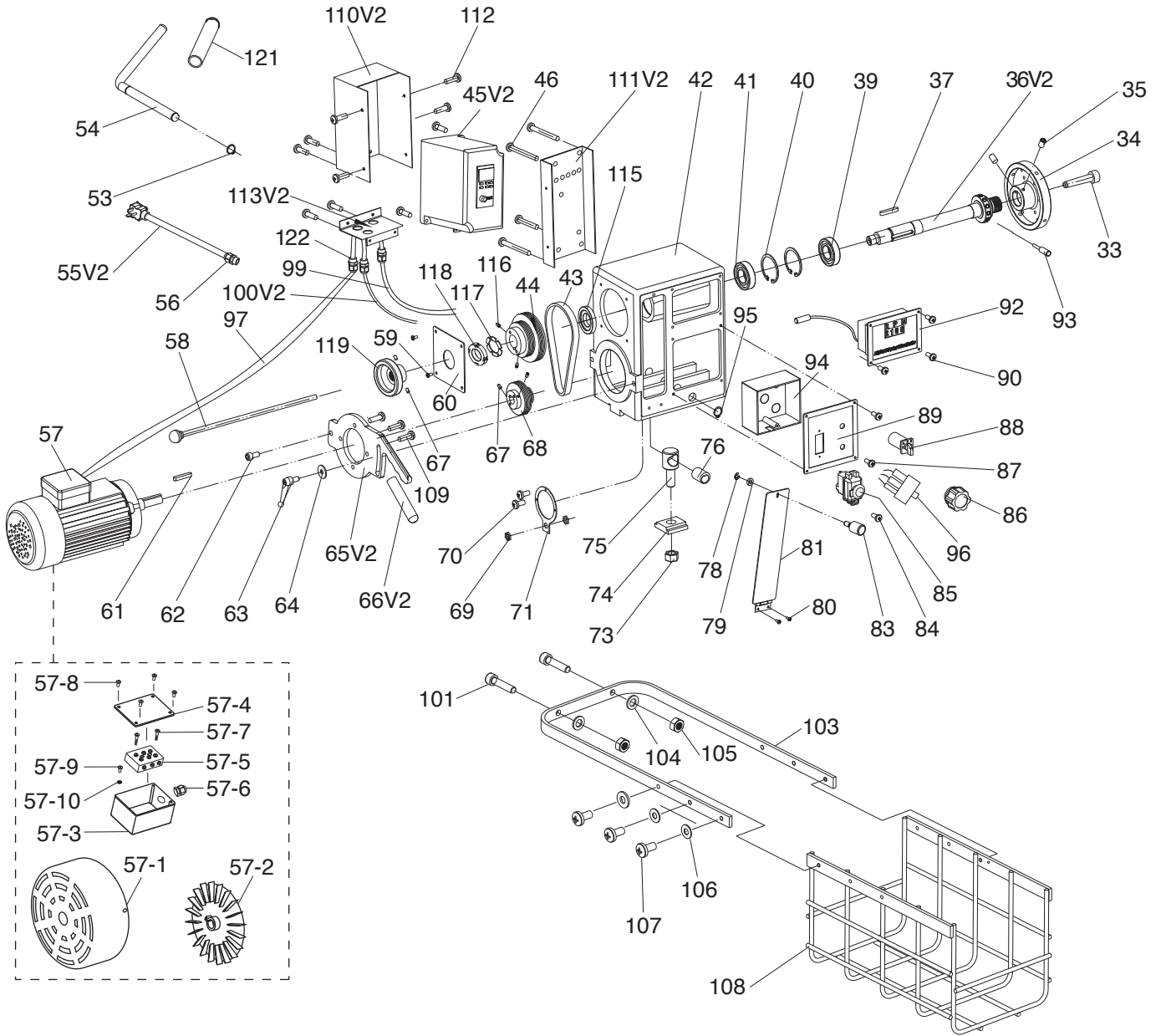


REF	PART #	DESCRIPTION
1V2	P0733001V2	STAND V2.01.21
2	P0733002	BED WHITE
3	P0733003	BED STOP
4V2	P0733004V2	HEX NUT M16-2 V2.01.21
5V2	P0733005V2	ADJ FOOT M16-2 X 100, 100D V2.01.21
6	P0733006	FLAT WASHER 10MM
7	P0733007	CAP SCREW M10-1.5 X 35
8	P0733008	EXT RETAINING RING 19MM
9	P0733009	CAP SCREW M5-.8 X 10
10	P0733010	TOOL REST BASE PLATE
11V3	P0733011V3	TOOL REST BASE (1" HOLE) V3.05.19
12V2	P0733012V2	TOOL REST (1" POST) V2.12.17
13	P0733013	TOOL REST LOCK LEVER
14V2	P0733014V2	TOOL REST BASE LOCK LEVER V2.05.19
15	P0733015	LIVE CENTER
16	P0733016	QUILL

REF	PART #	DESCRIPTION
17	P0733017	LEADSCREW
18	P0733018	TAILSTOCK LOCK LEVER
19	P0733019	QUILL LOCK LEVER
20	P0733020	SET SCREW M8-1.25 X 12
21	P0733021	HANDWHEEL HANDLE
22	P0733022	HANDWHEEL
23	P0733023	TAILSTOCK CASTING
24	P0733024	ROLL PIN 5 X 50
25	P0733025	EXT RETAINING RING 19MM
26	P0733026	TAILSTOCK CLAMP BOLT
27	P0733027	ECCENTRIC BUSHING 19 X 26 X 33
29	P0733029	HEX NUT M18-2.5
30	P0733030	ECCENTRIC BUSHING 19 X 26 X 33
31	P0733031	CLAMP PLATE
32	P0733032	SUPPORT BRACKET



# Headstock



# Headstock Parts List

REF	PART #	DESCRIPTION
33	P0733033	SPUR CENTER
34	P0733034	FACEPLATE
35	P0733035	SET SCREW M6-1 X 12
36V2	P0733036V2	SPINDLE V2.06.18
37	P0733037	KEY 8 X 7 X 45
38	P0733038	EXT RETAINING RING 30MM
39	P0733039	BALL BEARING 6206ZZ
40	P0733040	INT RETAINING RING 62MM
41	P0733041	BALL BEARING 6206ZZ
42	P0733042	HEADSTOCK CASTING
43	P0733043	RIBBED FLAT BELT 530J6
44	P0733044	SPINDLE PULLEY
45V2	P0733045V2	INVERTER DELTA VFD7A5MS21ANSAA V2.05.19
46	P0733046	PHLP HD SCR M5-.8 X 45
48	P0733048	SET SCREW M5-.8 X 12
53	P0733053	EXT RETAINING RING 19MM
54	P0733054	HEADSTOCK LOCK LEVER
55V2	P0733055V2	POWER CORD 14G 3W 72" 6-15P 90-DEG V2
56	P0733056	STRAIGHT STRAIN RELIEF 3/8"
57	P0733057	MOTOR 2HP 220V 3-PH
57-1	P0733057-1	MOTOR FAN COVER
57-2	P0733057-2	MOTOR FAN
57-3	P0733057-3	MOTOR TERMINAL BOX
57-4	P0733057-4	MOTOR TERMINAL BOX COVER
57-5	P0733057-5	MOTOR TERMINAL
57-6	P0733057-6	STRAIGHT STRAIN RELIEF 3/8"
57-7	P0733057-7	PHLP HD SCR M4-.7 X 20
57-8	P0733057-8	TAP SCREW M2 X 10
57-9	P0733057-9	PHLP HD SCR M4-.7 X 10
57-10	P0733057-10	EXT TOOTH WASHER 4MM
58	P0733058	KNOCKOUT ROD
59	P0733059	PHLP HD SCR M5-.8 X 12
60	P0733060	SPINDLE PULLEY COVER
61	P0733061	KEY 6 X 6 X 50
62	P0733062	CAP SCREW M10-1.5 X 30
63	P0733063	BELT TENSION LOCK LEVER
64	P0733064	FLAT WASHER 10MM
65V2	P0733065V2	MOTOR PLATE V2.06.18
66V2	P0733066V2	HANDLE SLEEVE V2.06.18
67	P0733067	SET SCREW M6-1 X 12
68	P0733068	MOTOR PULLEY
69	P0733069	HEX NUT M12-1 THIN
70	P0733070	PHLP HD SCR M4-.7 X 8

REF	PART #	DESCRIPTION
71	P0733071	RPM SENSOR BRACKET
73	P0733073	HEX NUT M18-2.5
74	P0733074	HEADSTOCK CLAMP
75	P0733075	HEADSTOCK CLAMP BOLT
76	P0733076	ECCENTRIC BUSHING 19 X 26 X 33
80	P0733080	PHLP HD SCR M5-.8 X 12
81	P0733081	BELT DOOR
83	P0733083	KNOB BOLT M5-.8 X 12
84	P0733084	PHLP HD SCR M4-.7 X 10
85	P0733085	ON/OFF SWITCH KEDU KJD17B GF
86	P0733086	VARIABLE SPEED DIAL
87	P0733087	PHLP HD SCR M4-.7 X 10
88	P0733088	FWD/REW SWITCH KEDU ZH-A
89	P0733089	PANEL COVER
90	P0733090	PHLP HD SCR M4-.7 X 10
92	P0733092	RPM DIGITAL READOUT W/SENSOR
93	P0733093	SPINDLE LOCK TOOL
94	P0733094	SWITCH BOX
95	P0733095	EXT RETAINING RING 19MM
96	P0733096	POTENTIOMETER WX110 (010)
97	P0733097	MOTOR CORD 16G 4W 24"
99	P0733099	SPINDLE CORD 16G 7W 18"
100V2	P0733100V2	SWITCH CORD 16G 4W 18" V2.05.19
101	P0733101	CAP SCREW M8-1.25 X 35
103	P0733103	BASKET BRACKET
104	P0733104	LOCK WASHER 8MM
105	P0733105	HEX NUT M8-1.25
106	P0733106	LOCK WASHER 6MM
107	P0733107	PHLP HD SCR M6-1 X 12
108	P0733108	STORAGE BASKET
109	P0733109	CAP SCREW M8-1.25 X 20
110V2	P0733110V2	INVERTER COVER V2.05.19
111V2	P0733111V2	INVERTER MOUNTING BRACKET V2.05.19
112	P0733112	PHLP HD SCR M4-.7 X 10
113V2	P0733113V2	TERMINAL PLATE V2.05.19
115	P0733115	PULLEY SPACER
116	P0733116	SET SCREW M8-1.25 X 10
117	P0733117	EXT TOOTH WASHER 30MM
118	P0733118	SPANNER NUT M30-1.5 LH
119	P0733119	SPINDLE HANDWHEEL
121	P0733121	HANDLE SLEEVE
122	P0733122	STRAIN RELIEF TYPE-3 M20-1.5

We do our best to stock replacement parts when possible, but we cannot guarantee that all parts shown are available for purchase. Call **(800) 523-4777** or visit **www.grizzly.com/parts** to check for availability.



# Labels & Cosmetics



REF	PART #	DESCRIPTION
201	P0733201	BELT COVER LABEL
202	P0733202	READOUT LABEL
203	P0733203	ELECTRICITY WARNING
204V4	P0733204V4	MACHINE ID LABEL V4.01.21
205	P0733205	TOUCH-UP PAINT, GRIZZLY GREEN

REF	PART #	DESCRIPTION
206	P0733206	MODEL NUMBER LABEL
207	P0733207	EYE/FACE/LUNG HAZARD LABEL
208	P0733208	READ MANUAL LABEL
209	P0733209	TOUCH-UP PAINT, GRIZZLY PUTTY
210	P0733210	NOTICE LABEL

**⚠ WARNING**

Safety labels help reduce the risk of serious injury caused by machine hazards. If any label comes off or becomes unreadable, the owner of this machine **MUST** replace it in the original location before resuming operations. For replacements, contact (800) 523-4777 or [www.grizzly.com](http://www.grizzly.com).

