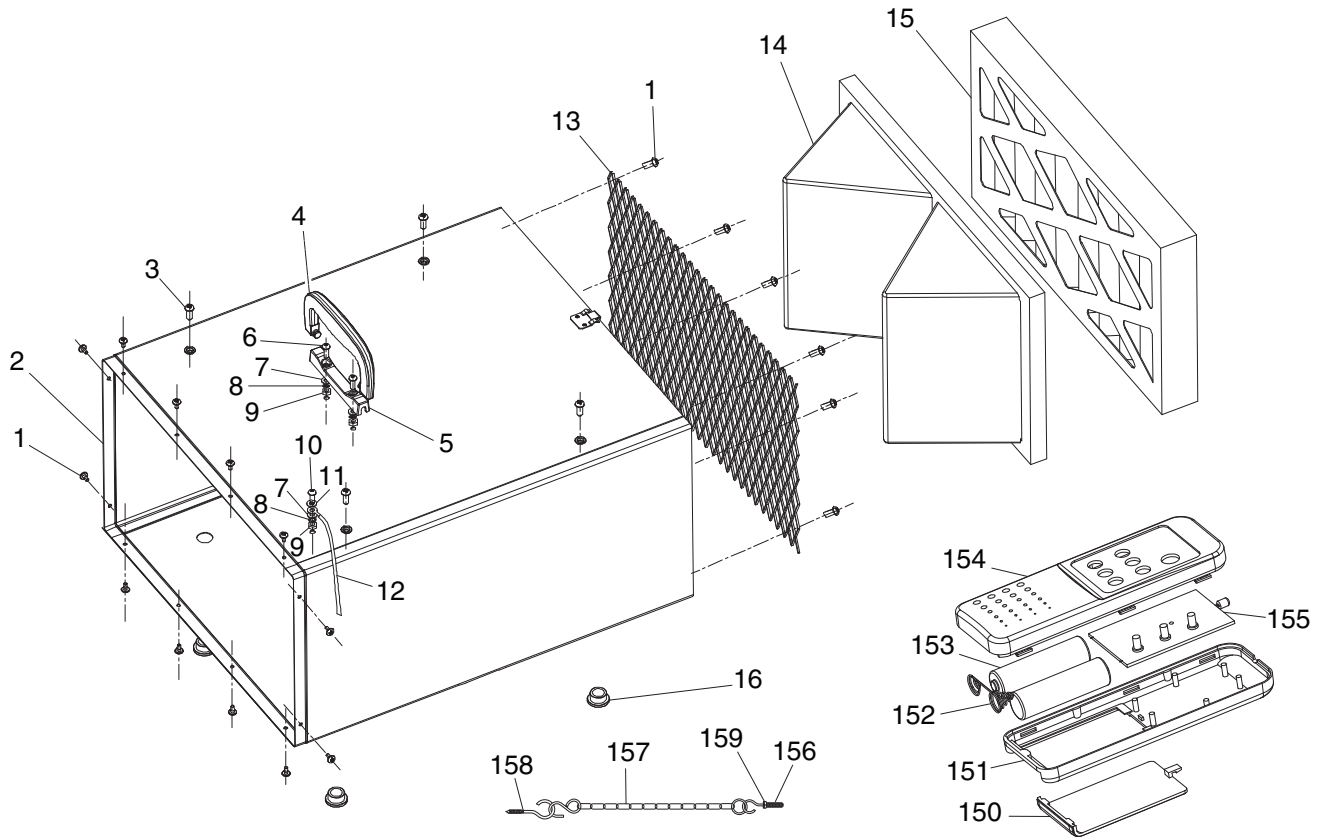


SECTION 9: PARTS

Cabinet & Remote Control

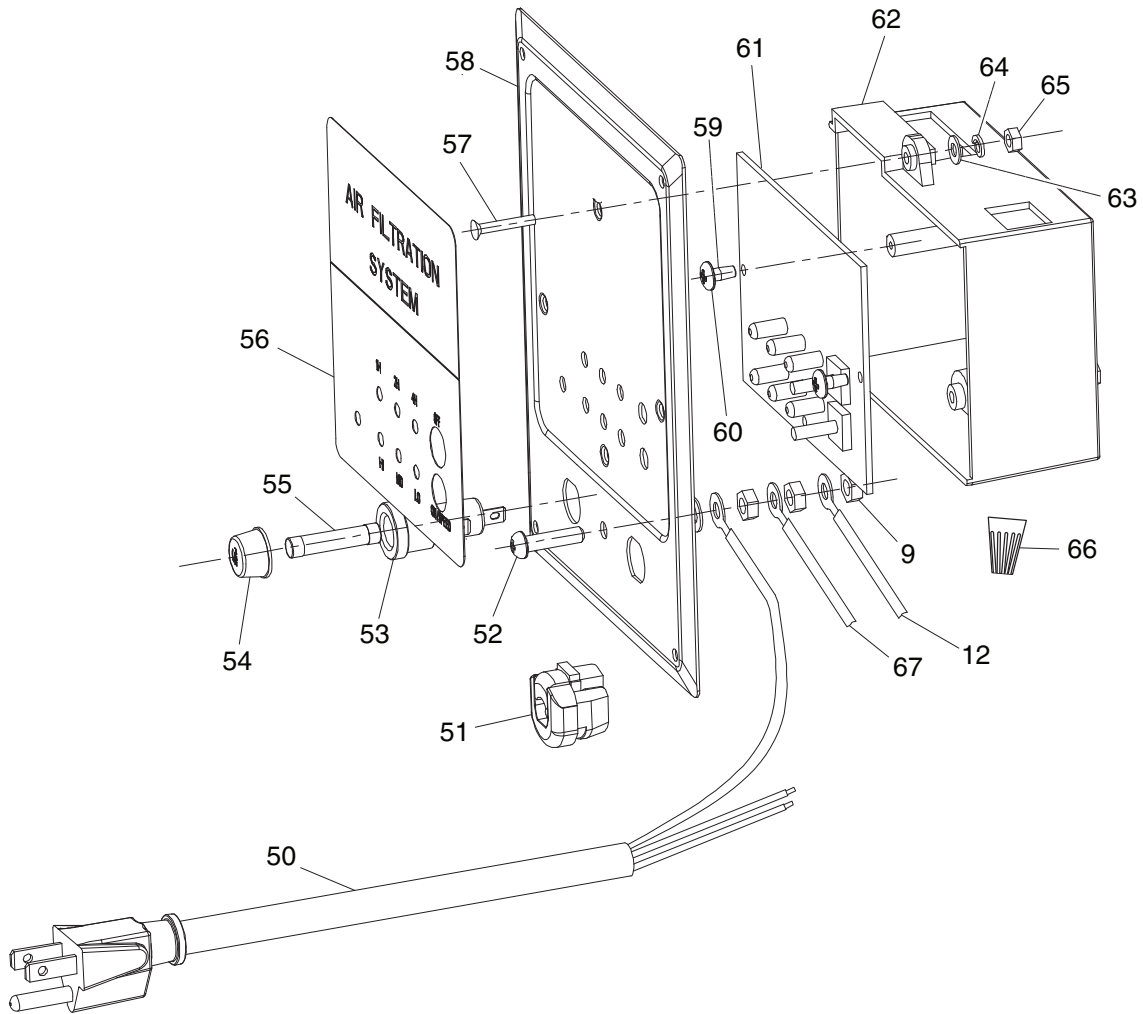


REF	PART #	DESCRIPTION
1	PHTEK15M	TAP SCREW M4 X 10
2	P0738002	CABINET
3	PS14M	PHLP HD SCR M6-1 X 12
4	P0738004	CABINET HANDLE
5	P0738005	HANDLE BRACKET
6	PS40M	PHLP HD SCR M5-.8 X 16
7	PW02M	FLAT WASHER 5MM
8	PLW01M	LOCK WASHER 5MM
9	PN06M	HEX NUT M5-.8
10	PS08M	PHLP HD SCR M5-.8 X 12
11	PTLW02M	EXT TOOTH WASHER 5MM
12	P0738012	GROUND WIRE 18AWG 335MM
13	P0738013	WIRE MESH 251 X 528MM

REF	PART #	DESCRIPTION
14	T10503	INNER FILTER 421 X 241 X 160MM
15	T10504	OUTER FILTER 421 X 241 X 45MM
16	P0738016	RUBBER FOOT
150	P0738150	BATTERY COVER
151	P0738151	REMOTE CONTROL BOTTOM COVER
152	P0738152	BATTERY SPRING
153	P0738153	BATTERY AA
154	P0738154	REMOTE CONTROL TOP COVER
155	P0738155	REMOTE CONTROL CIRCUIT BOARD
156	P0738156	THREADED HOOK M6-1 X 35
157	P0738157	HANGING CHAIN 11-1/2"
158	P0738158	HOOK SCREW M6 X 25
159	PFN02M	FLANGE NUT M6-1



Control Panel

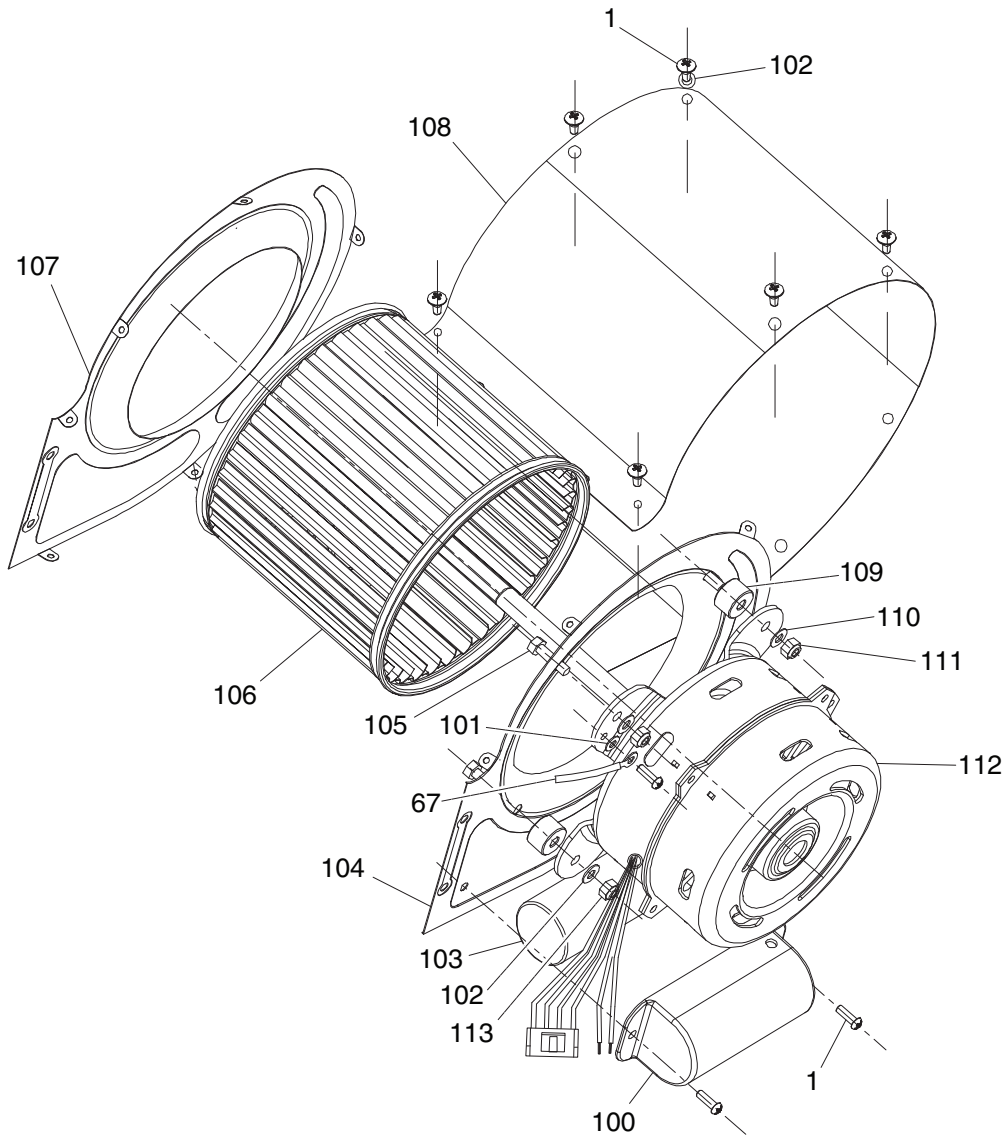


REF	PART #	DESCRIPTION
9	PN06M	HEX NUT M5-.8
12	P0738012	GROUND WIRE 18AWG 335MM
50	P0738050	POWER CORD 18G 3W 72" 5-15
51	P0738051	STRAIN RELIEF 6P-4
52	PS06M	PHLP HD SCR M5-.8 X 20
53	P0738053	FUSE HOLDER CFH052S CR3-13
54	P0738054	FUSE HOLDER CAP
55	P0738055	FUSE F2A250V
56	P0738056	CONTROL PANEL LABEL
57	PFH85M	FLAT HD SCR M3-.5 X 30

REF	PART #	DESCRIPTION
58	P0738058	CONTROL PANEL PLATE
59	P0738059	INSULATED FLAT WASHER 3MM
60	PHTEK31M	TAP SCREW M4 X 14
61	P0738061	PRINTED CIRCUIT BOARD
62	P0738062	CONTROL PANEL BOX
63	PW07M	FLAT WASHER 3MM
64	PLW09M	LOCK WASHER 3MM
65	PN07M	HEX NUT M3-.5
66	P0738066	WIRE NUT 18AWG
67	P0738067	WIRE 18AWG 6-3/4"



Motor & Impeller

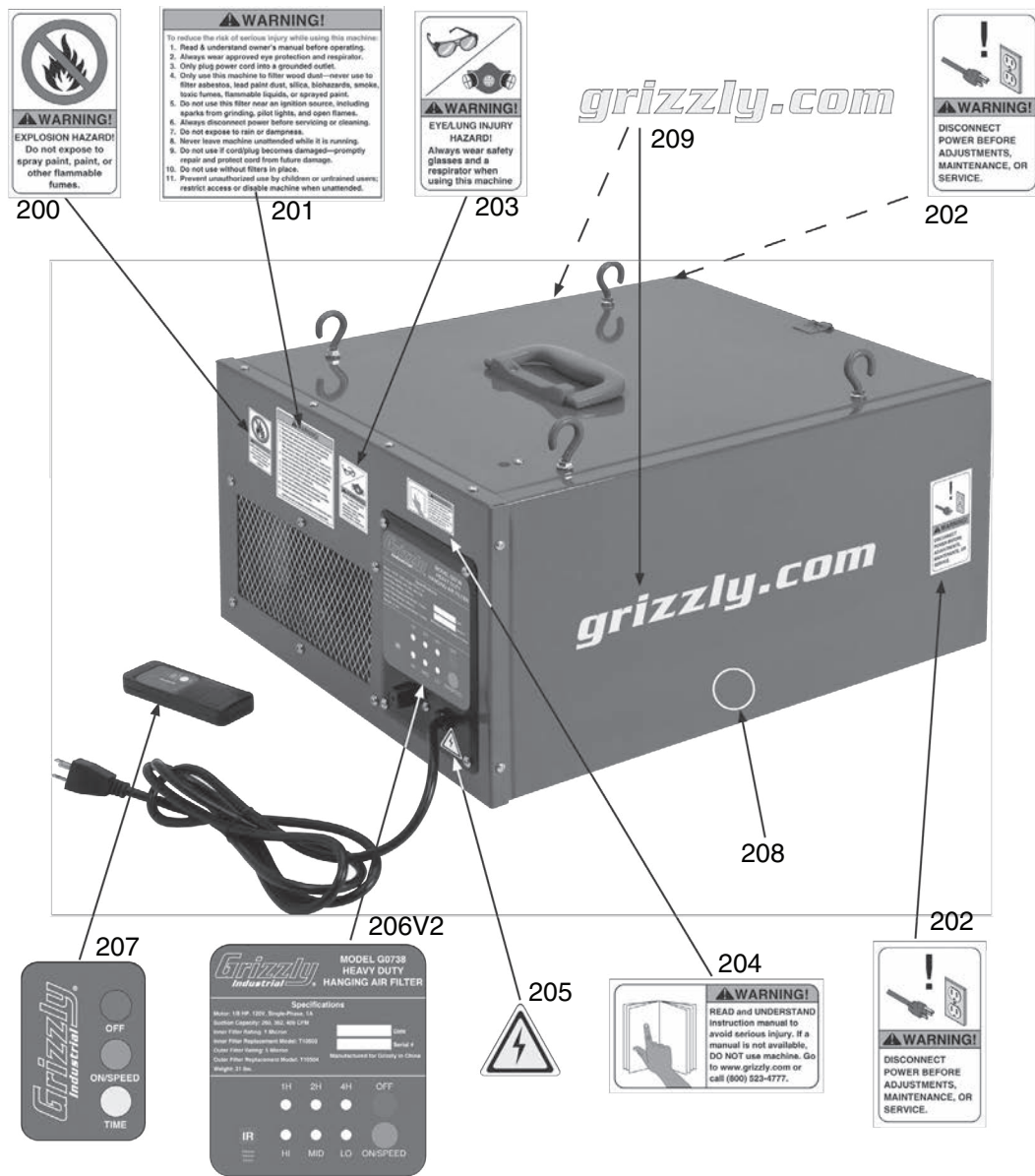


REF	PART #	DESCRIPTION
1	PHTEK15M	TAP SCREW M4 X 10
67	P0738067	WIRE 18AWG 6-3/4"
100	P0738100	CAPACITOR COVER
101	PTLW01M	EXT TOOTH WASHER 4MM
102	PW05M	FLAT WASHER 4MM
103	P0738103	R CAPACITOR 8M 375V 1-1/4 X 2-1/2
104	P0738104	FRONT IMPELLER HOUSING COVER
105	PB94M	HEX BOLT M5-.8 X 25

REF	PART #	DESCRIPTION
106	P0738106	SQUIRREL CAGE IMPELLER
107	P0738107	REAR IMPELLER HOUSING COVER
108	P0738108	IMPELLER HOUSING
109	P0738109	RUBBER SPACER
110	PWF05M	FENDER WASHER 5MM
111	PLN02M	LOCK NUT M5-.8
112	P0738112	MOTOR 1/8HP 120V 60HZ
113	PS02M	PHLP HD SCR M4-.7 X 12



Machine Labels



REF	PART #	DESCRIPTION
200	P0738200	EXPLOSION HAZARD LABEL
201	P0738201	GENERAL WARNINGS LABEL
202	PLABEL-62A	DISCONNECT LABEL
203	PLABEL-57A	EYE/LUNG HAZARD LABEL
204	PLABEL-12D	READ MANUAL LABEL

REF	PART #	DESCRIPTION
205	PLABEL-14B	ELECTRICITY LABEL
206V2	P0738206V2	CONTROL PANEL LABEL ETL V2.07.14
207	P0738207	REMOTE CONTROL LABEL
208	PPAINT-1	GRIZZLY GREEN TOUCH-UP PAINT
209	P0738209	GRIZZLY.COM LABEL

!WARNING

Safety labels help reduce the risk of serious injury caused by machine hazards. If any label comes off or becomes unreadable, the owner of this machine **MUST** replace it in the original location before resuming operations. For replacements, contact (800) 523-4777 or www.grizzly.com.

