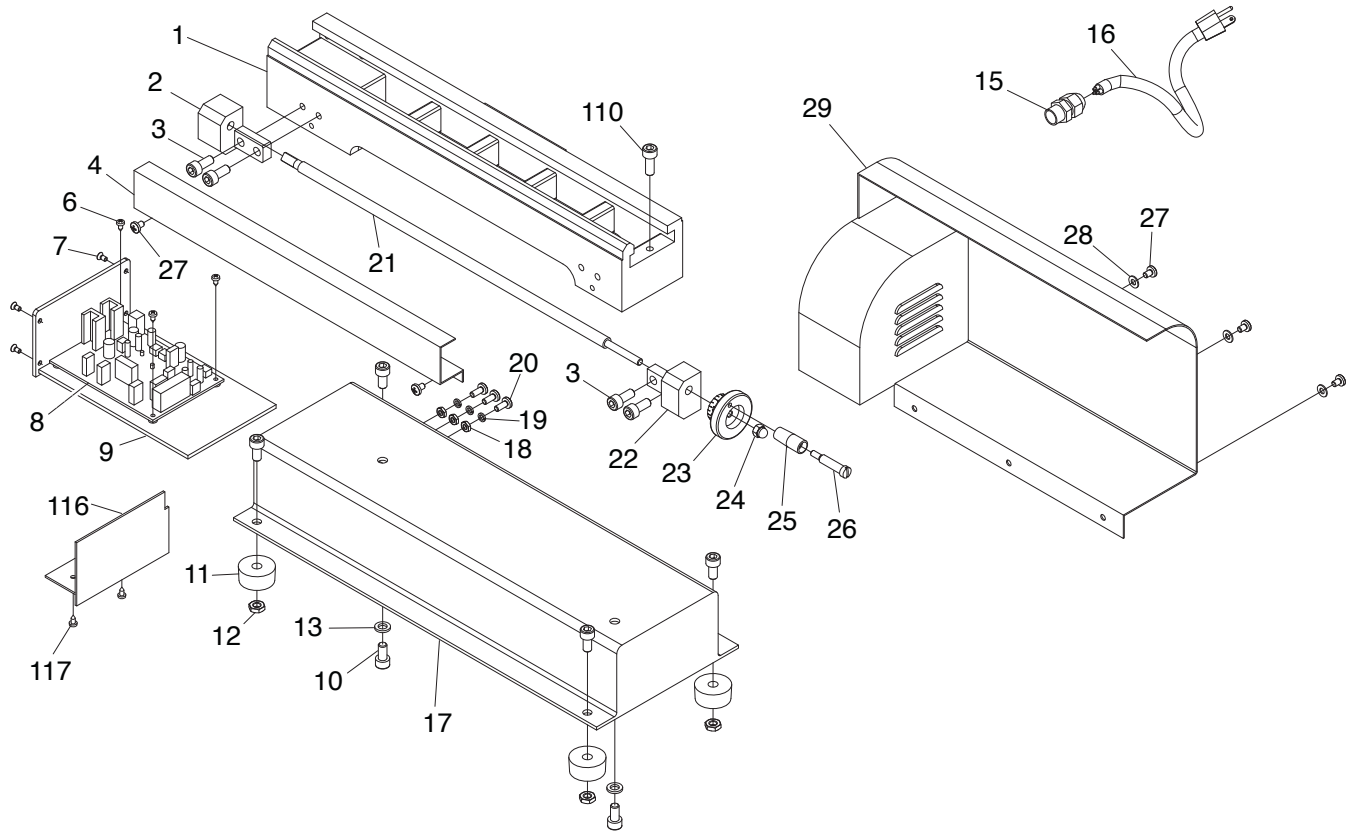


# SECTION 9: PARTS

## Body & Bed



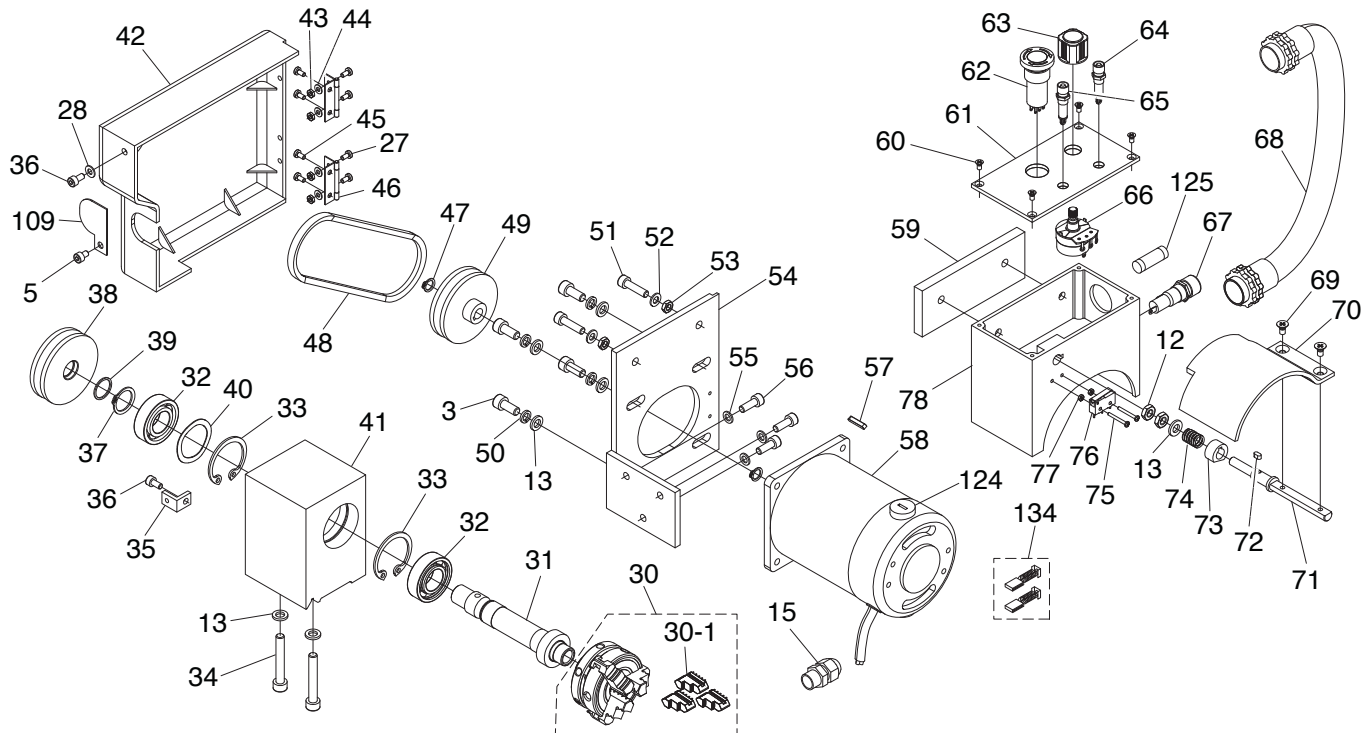
REF	PART #	DESCRIPTION
1	P0745001	BED
2	P0745002	LEADSCREW SUPPORT (LH)
3	P0745003	CAP SCREW M6-1 X 14
4	P0745004	LEADSCREW COVER
6	P0745006	TAP SCREW M2.9 X 6.5
7	P0745007	TAP SCREW M3 X 8
8	P0745008	CIRCUIT BOARD XMT1115
9	P0745009	CIRCUIT BOARD BACK PLATE
10	P0745010	CAP SCREW M6-1 X 12
11	P0745011	FOOT (RUBBER)
12	P0745012	HEX NUT M6-1
13	P0745013	FLAT WASHER 6MM
15	P0745015	STRAIN RELIEF M12
16	P0745016	POWER CORD 18G 3W 48" 5-15P
17	P0745017	BASE

REF	PART #	DESCRIPTION
18	P0745018	HEX NUT M4-.7
19	P0745019	LOCK WASHER 4MM
20	P0745020	PHLP HD SCR M4-.7 X 10
21	P0745021	LONGITUDINAL LEADSCREW
22	P0745022	LEADSCREW SUPPORT (RH)
23	P0745023	HANDWHEEL
24	P0745024	ACORN NUT M5-.8
25	P0745025	HANDWHEEL HANDLE
26	P0745026	HANDLE STEP SCREW M4-.7 X 8, 25L
27	P0745027	PHLP HD SCR M4-.7 X 6
28	P0745028	FLAT WASHER 4MM
29	P0745029	BACK SPLASH
110	P0745110	CAP SCREW M5-.8 X 10
116	P0745116	BAFFLE
117	P0745117	TAP SCREW M2.9 X 6.5

**Please Note:** We do our best to stock replacement parts whenever possible, but we cannot guarantee that all parts shown here are available for purchase. Call (800) 523-4777 or visit our online parts store at [www.grizzly.com](http://www.grizzly.com) to check for availability.



# Headstock & Motor

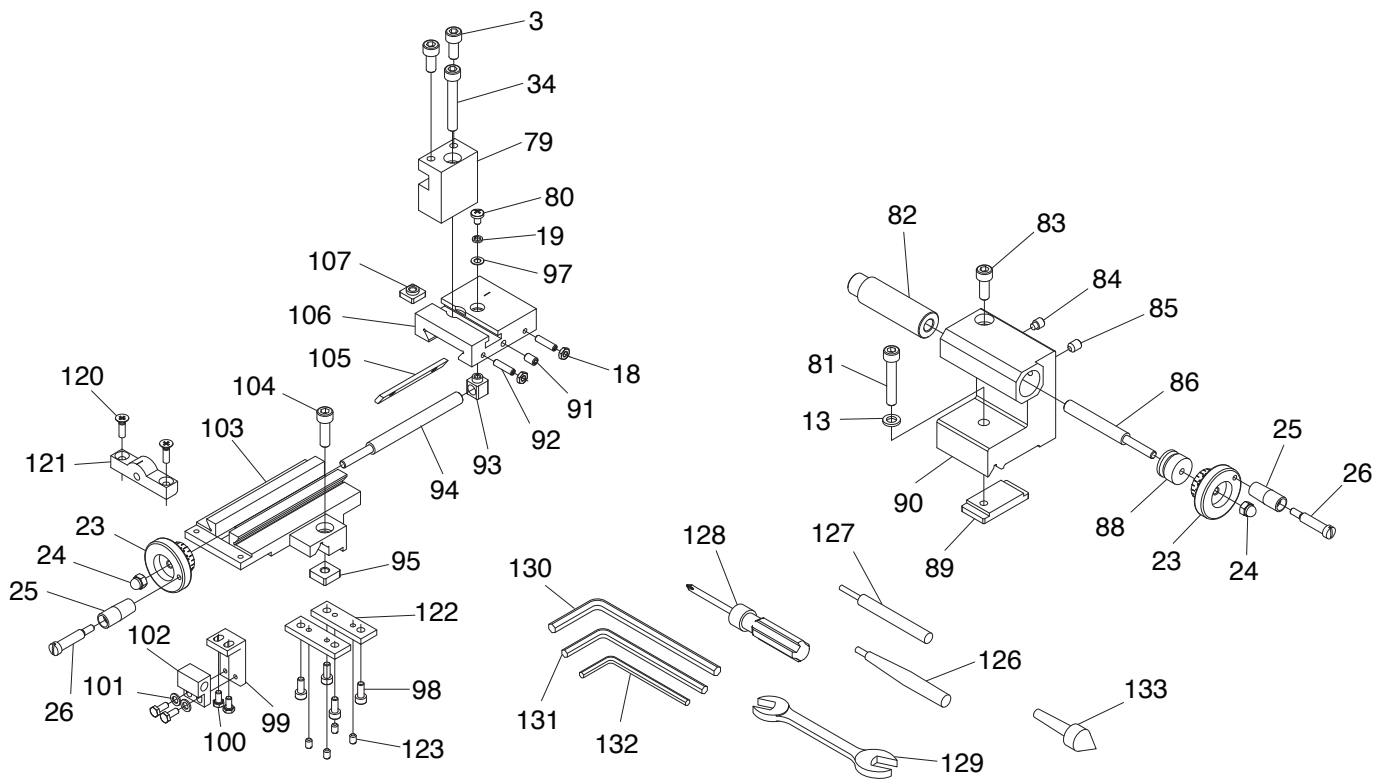


REF	PART #	DESCRIPTION
3	P0745003	CAP SCREW M6-1 X 14
5	P0745005	CAP SCREW M4-.7 X 6
12	P0745012	HEX NUT M6-1
13	P0745013	FLAT WASHER 6MM
15	P0745015	STRAIN RELIEF M12
27	P0745027	PHLP HD SCR M4-.7 X 6
28	P0745028	FLAT WASHER 4MM
30	P0745030	3-JAW CHUCK 2"
30-1	P0745030-1	REVERSIBLE CHUCK JAWS 3-PC SET
31	P0745031	SPINDLE
32	P0745032	BALL BEARING 6003ZZ
33	P0745033	INT RETAINING RING 35MM
34	P0745034	CAP SCREW M6-1 X 40
35	P0745035	L-BRACKET
36	P0745036	CAP SCREW M4-.7 X 8
37	P0745037	EXT RETAINING RING 17MM
38	P0745038	SPINDLE PULLEY
39	P0745039	SPACER
40	P0745040	SPACER
41	P0745041	HEADSTOCK
42	P0745042	PULLEY COVER
43	P0745043	HEX NUT M4-.7
44	P0745044	FLAT WASHER 4MM
45	P0745045	PHLP HD SCR M4-.7 X 8
46	P0745046	HINGE 38 X 31MM
47	P0745047	EXT RETAINING RING 8MM
48	P0745048	V-BELT K-1 5/16" X 1/4" X 14-1/2"
49	P0745049	MOTOR PULLEY
50	P0745050	LOCK WASHER 6MM
51	P0745051	CAP SCREW M5-.8 X 20
52	P0745052	FLAT WASHER 5MM

REF	PART #	DESCRIPTION
53	P0745053	HEX NUT M5-.8
54	P0745054	MOTOR MOUNT
55	P0745055	FLAT WASHER 5MM
56	P0745056	CAP SCREW M5-.8 X 14
57	P0745057	KEY 3 X 3 X 16
58	P0745058	MOTOR 150W 110VDC 60HZ 1.8A
59	P0745059	SPACER PLATE
60	P0745060	TAP SCREW M2.9 X 6.5
61	P0745061	CONTROL PANEL PLATE
62	P0745062	E-STOP BUTTON LAS-AY-22TS/P
63	P0745063	VARIABLE SPEED CONTROL KNOB
64	P0745064	LAMP HL2 (YELLOW)
65	P0745065	LAMP XD7-3 (GREEN)
66	P0745066	POTENTIOMETER WH24-2
67	P0745067	FUSE HOLDER
68	P0745068	FLEXIBLE CORD ASS7 13 X 270MM
69	P0745069	FLAT HD SCR M4-.7 X 8
70	P0745070	CHUCK GUARD
71	P0745071	CHUCK GUARD PIVOT SHAFT
72	P0745072	KEY 3 X 3 X 6
73	P0745073	SPACER
74	P0745074	COMPRESSION SPRING 16MM
75	P0745075	PHLP HD SCR M2-.4 X 20
76	P0745076	CHUCK GUARD LIMIT SWITCH SS5-GL
77	P0745077	HEX NUT M2-.4
78	P0745078	CIRCUIT BOARD COVER
109	P0745109	FINGER-HOLE COVER
124	P0745124	MOTOR BRUSH CAP
125	P0745125	FUSE 2A F2AL250V (GLASS)
134	P0745134	CARBON BRUSH 2-PC SET



# Carriage & Tailstock

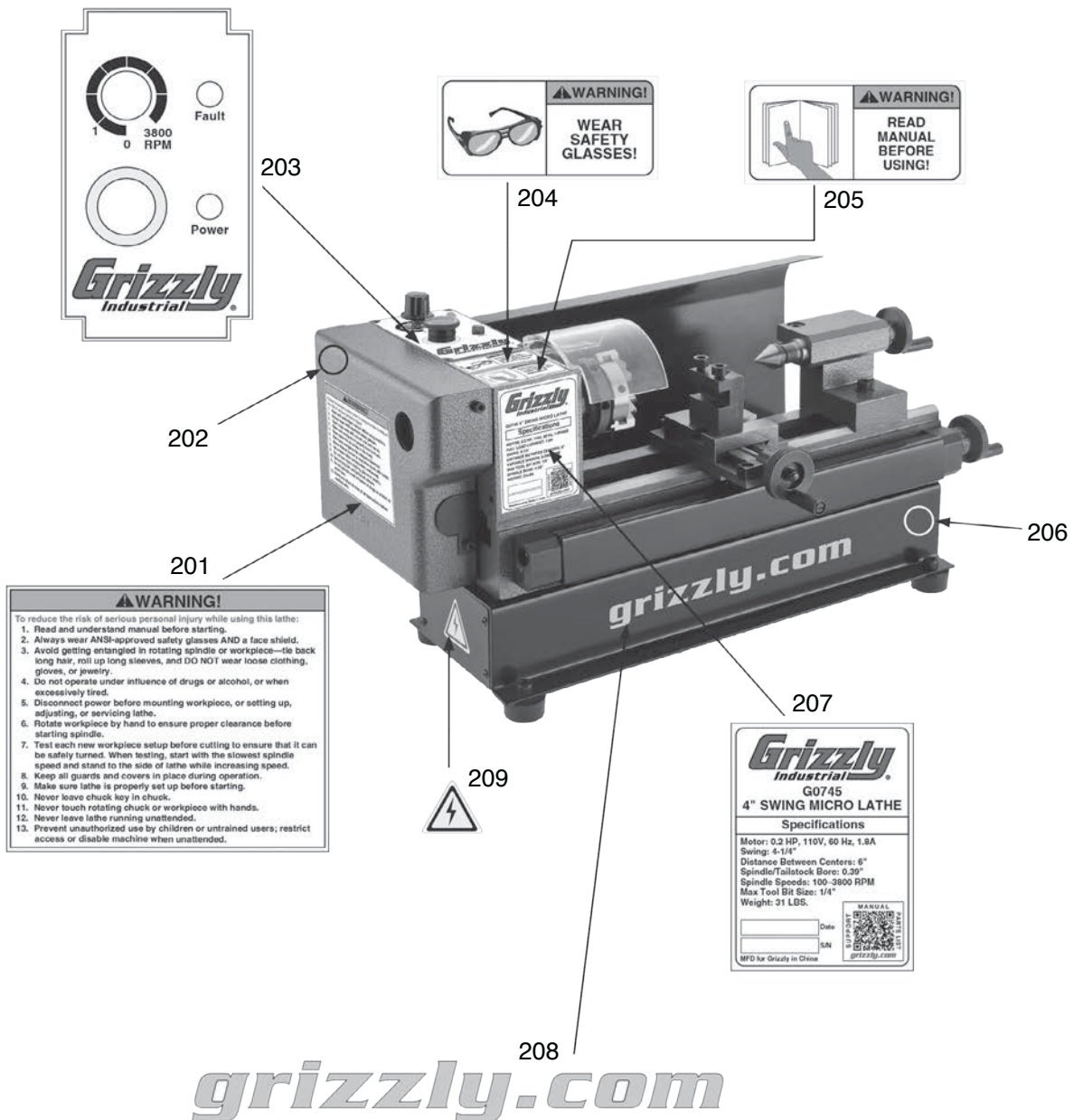


REF	PART #	DESCRIPTION
3	P0745003	CAP SCREW M6-1 X 14
13	P0745013	FLAT WASHER 6MM
18	P0745018	HEX NUT M4-.7
19	P0745019	LOCK WASHER 4MM
23	P0745023	HANDWHEEL
24	P0745024	ACORN NUT M5-.8
25	P0745025	HANDWHEEL HANDLE
26	P0745026	HANDLE STEP SCREW M4-.7 X 8, 25L
34	P0745034	CAP SCREW M6-1 X 40
79	P0745079	TOOL HOLDER
80	P0745080	PHLP HD SCR M4-.7 X 6
81	P0745081	CAP SCREW M6-1 X 35
82	P0745082	QUILL
83	P0745083	CAP SCREW M6-1 X 16
84	P0745084	SET SCREW M6-1 X 8 DOG-PT
85	P0745085	SET SCREW M6-1 X 8
86	P0745086	TAILSTOCK LEADSCREW
88	P0745088	GRADUATED DIAL
89	P0745089	TAILSTOCK CLAMP PLATE
90	P0745090	TAILSTOCK CASTING
91	P0745091	SET SCREW M5-.8 X 8
92	P0745092	SET SCREW M4-.7 X 16
93	P0745093	CROSS LEADSCREW NUT
94	P0745094	CROSS LEADSCREW

REF	PART #	DESCRIPTION
95	P0745095	CARRIAGE CLAMP PLATE
97	P0745097	FLAT WASHER 4MM
98	P0745098	CAP SCREW M4-.7 X 10
99	P0745099	SLIDE BLOCK SUPPORT
100	P0745100	HEX BOLT M4-.7 X 10
101	P0745101	FLAT WASHER 4MM
102	P0745102	LEADSCREW SLIDE BLOCK
103	P0745103	SADDLE
104	P0745104	CAP SCREW M6-1 X 20
105	P0745105	CROSS SLIDE GIB
106	P0745106	CROSS SLIDE
107	P0745107	TOOL HOLDER T-SLOT NUT
120	P0745120	CAP SCREW M4-.7 X 14
121	P0745121	CROSS LEADSCREW BRACKET
122	P0745122	CARRIAGE GIB PLATE
123	P0745123	SET SCREW M4-.7 X 6
126	P0745126	CHUCK KEY 5MM
127	P0745127	SPINDLE KEY 5MM
128	P0745128	PHILLIPS HEAD SCREWDRIVER #1
129	P0745129	WRENCH 5.5 X 7MM OPEN-ENDS
130	P0745130	HEX WRENCH 5MM
131	P0745131	HEX WRENCH 4MM
132	P0745132	HEX WRENCH 3MM
133	P0745133	DEAD CENTER



# Machine Labels & Cosmetics



REF	PART #	DESCRIPTION
201	P0745201	GENERAL WARNINGS LABEL
202	P0745202	GRIZZLY GREEN TOUCH-UP PAINT
203	P0745203	CONTROL PANEL LABEL
204	P0745204	SAFETY GLASSES LABEL
205	P0745205	READ MANUAL LABEL

REF	PART #	DESCRIPTION
206	P0745206	GLOSSY BLACK TOUCH-UP PAINT
207	P0745207	MACHINE ID LABEL
208	P0745208	GRIZZLY.COM LABEL
209	P0745209	ELECTRICITY LABEL

**⚠ WARNING**

Safety labels help reduce the risk of serious injury caused by machine hazards. If any label comes off or becomes unreadable, the owner of this machine **MUST** replace it in the original location before resuming operations. For replacements, contact (800) 523-4777 or [www.grizzly.com](http://www.grizzly.com).

