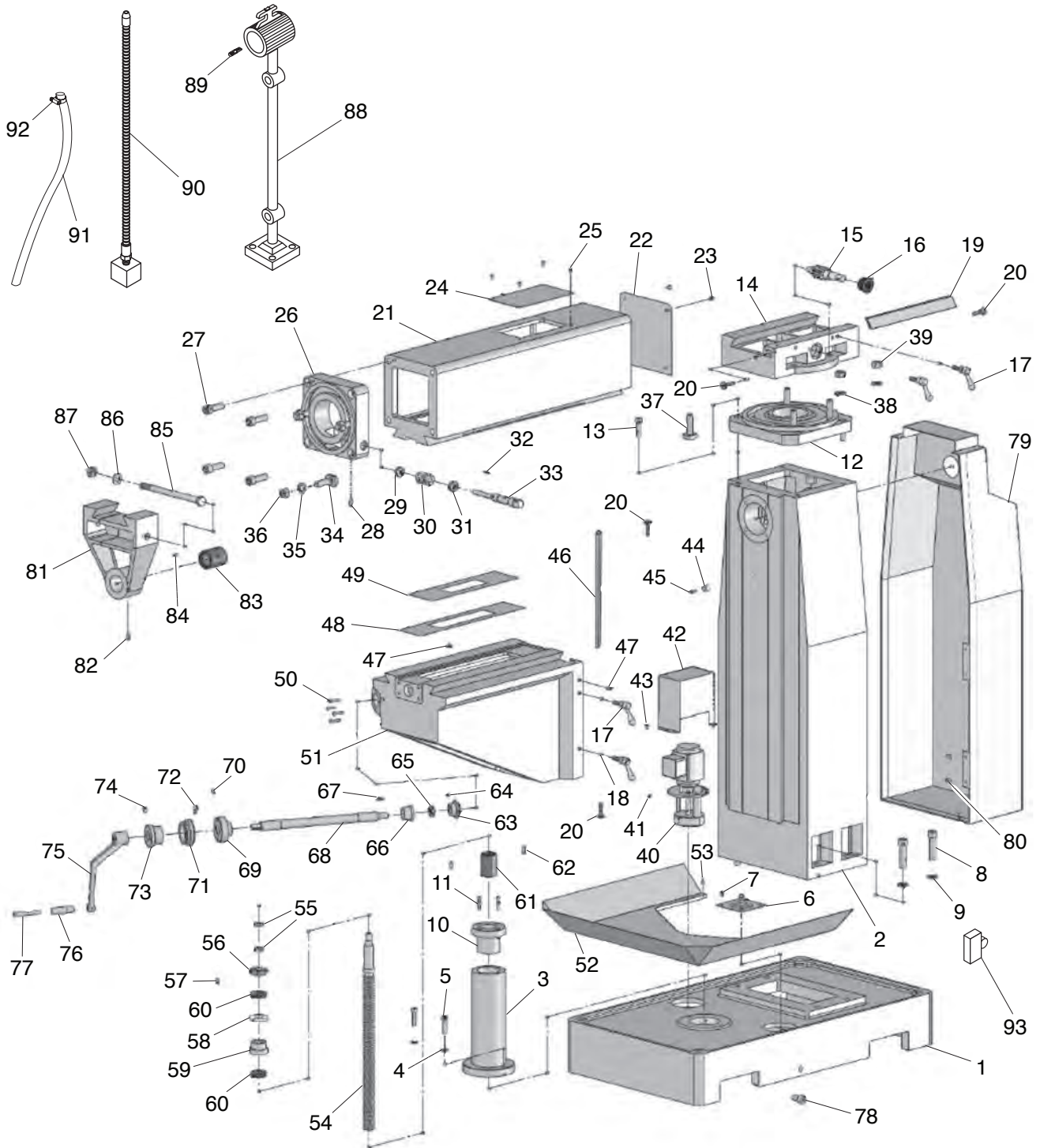


SECTION 9: PARTS

Column



Please Note: We do our best to stock replacement parts whenever possible, but we cannot guarantee that all parts shown here are available for purchase. Call (800) 523-4777 or visit our online parts store at www.grizzly.com to check for availability.



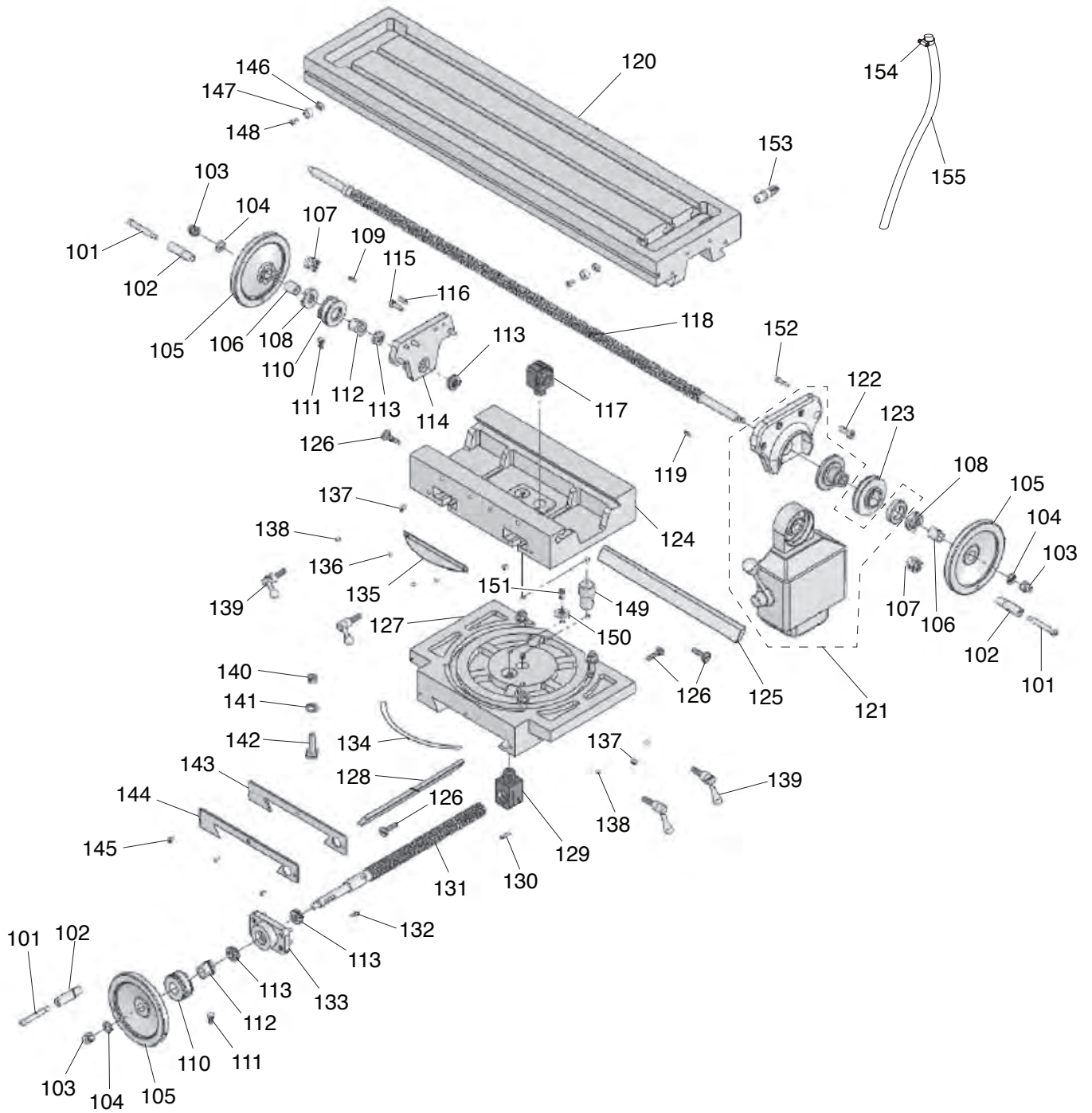
Column

REF PART #	DESCRIPTION
1	P0757001 BASE
2	P0757002 COLUMN
3	P0757003 Z-AXIS LEADSCREW HOUSING
4	P0757004 LOCK WASHER 10MM
5	P0757005 HEX BOLT M10-1.5 X 45
6	P0757006 COOLANT DRAIN SCREEN
7	P0757007 PHLP HD SCR M6-1 X 12
8	P0757008 HEX BOLT M16-2 X 65
9	P0757009 LOCK WASHER 16MM
10	P0757010 Z-AXIS LEADSCREW COLLAR
11	P0757011 CAP SCREW M8-1.25 X 25
12	P0757012 TURRET BASE
13	P0757013 CAP SCREW M12-1.75 X 30
14	P0757014 TURRET
15	P0757015 GEAR SHAFT 15T
16	P0757016 SHAFT COLLAR
17	P0757017 ADJUSTABLE HANDLE M10-1.5 X 25 (CHROME)
18	P0757018 LOCK PLUNGER
19	P0757019 RAM GIB
20	P0757020 FLAT HD SCR M8-1.25 X 40
21	P0757021 RAM
22	P0757022 RAM END COVER
23	P0757023 PHLP HD SCR M6-1 X 10
24	P0757024 RAM TOP COVER
25	P0757025 PHLP HD SCR M6-1 X 10
26	P0757026 HEADSTOCK MOUNT
27	P0757027 CAP SCREW M16-2 X 50
28	P0757028 CAP SCREW M8-1.25 X 20
29	P0757029 THRUST BEARING 51101
30	P0757030 WORM GEAR
31	P0757031 THRUST BEARING 51102
32	P0757032 KEY 4 X 4 X 20
33	P0757033 WORM SHAFT
34	P0757034 T-BOLT M16-2 X 60
35	P0757035 LOCK WASHER 16MM
36	P0757036 HEX NUT M16-2
37	P0757037 T-BOLT M16-2 X 50
38	P0757038 FLAT WASHER 16MM
39	P0757039 HEX NUT M16-2
40	P0757040 COOLANT PUMP 40W 220V 1-PH
41	P0757041 CAP SCREW M5-.8 X 12
42	P0757042 COOLANT PUMP COVER
43	P0757043 CAP SCREW M5-.8 X 12
44	P0757044 SLEEVE
45	P0757045 CAP SCREW M6-1 X 18
46	P0757046 Z-AXIS GIB
47	P0757047 BALL OILER 8MM TAP-IN

REF PART #	DESCRIPTION
48	P0757048 LOWER WAY COVER
49	P0757049 UPPER WAY COVER
50	P0757050 CAP SCREW M6-1 X 25
51	P0757051 KNEE
52	P0757052 SPLASH PAN
53	P0757053 CAP SCREW M6-1 X 12
54	P0757054 Z-AXIS LEADSCREW
55	P0757055 SPANNER NUT M16-1.5
56	P0757056 BEVEL GEAR 25T
57	P0757057 KEY 6 X 6 X 12
58	P0757058 SPACER
59	P0757059 BEARING SEAT
60	P0757060 THRUST BEARING 51105
61	P0757061 Z-AXIS LEADSCREW NUT 42 X 60MM
62	P0757062 SET SCREW M8-1.25 X 20
63	P0757063 BEVEL GEAR 25T
64	P0757064 SET SCREW M6-1 X 10
65	P0757065 THRUST BEARING 51103
66	P0757066 BEARING SEAT
67	P0757067 KEY 5 X 5 X 20
68	P0757068 Z-AXIS CRANK SHAFT
69	P0757069 SHAFT BRACKET
70	P0757070 CAP SCREW M6-1 X 25
71	P0757071 Z-AXIS GRADUATED DIAL
72	P0757072 THUMB SCREW M6-1 X 10
73	P0757073 CRANK BRACKET
74	P0757074 SET SCREW M8-1.25 X 16
75	P0757075 Z-AXIS CRANK
76	P0757076 CRANK HANDLE
77	P0757077 HANDLE STEP SCREW M10-1.5 X 15
78	P0757078 FLANGE BOLT M10-1.5 X 16
79	P0757079 COLUMN REAR COVER
80	P0757080 FLAT HD SCR M5-.8 X 12
81	P0757081 HORIZONTAL ARBOR SUPPORT
82	P0757082 SET SCREW M8-1.25 X 16
83	P0757083 BUSHING (BRASS)
84	P0757084 BALL OILER 8MM TAP-IN
85	P0757085 CLAMP BOLT M16-2 X 218
86	P0757086 FLAT WASHER 16MM
87	P0757087 HEX NUT M16-2
88	P0757088 HALOGEN WORK LIGHT ASSEMBLY
89	P0757089 HALOGEN BULB 24W BI-PIN
90	P0757090 COOLANT NOZZLE ASSEMBLY
91	P0757091 COOLANT HOSE 1/2" X 36"
92	P0757092 COOLANT HOSE CLAMP 3/4"
93	P0757093 LIMIT SWITCH CHINT XBLXW-W11Q1



Table



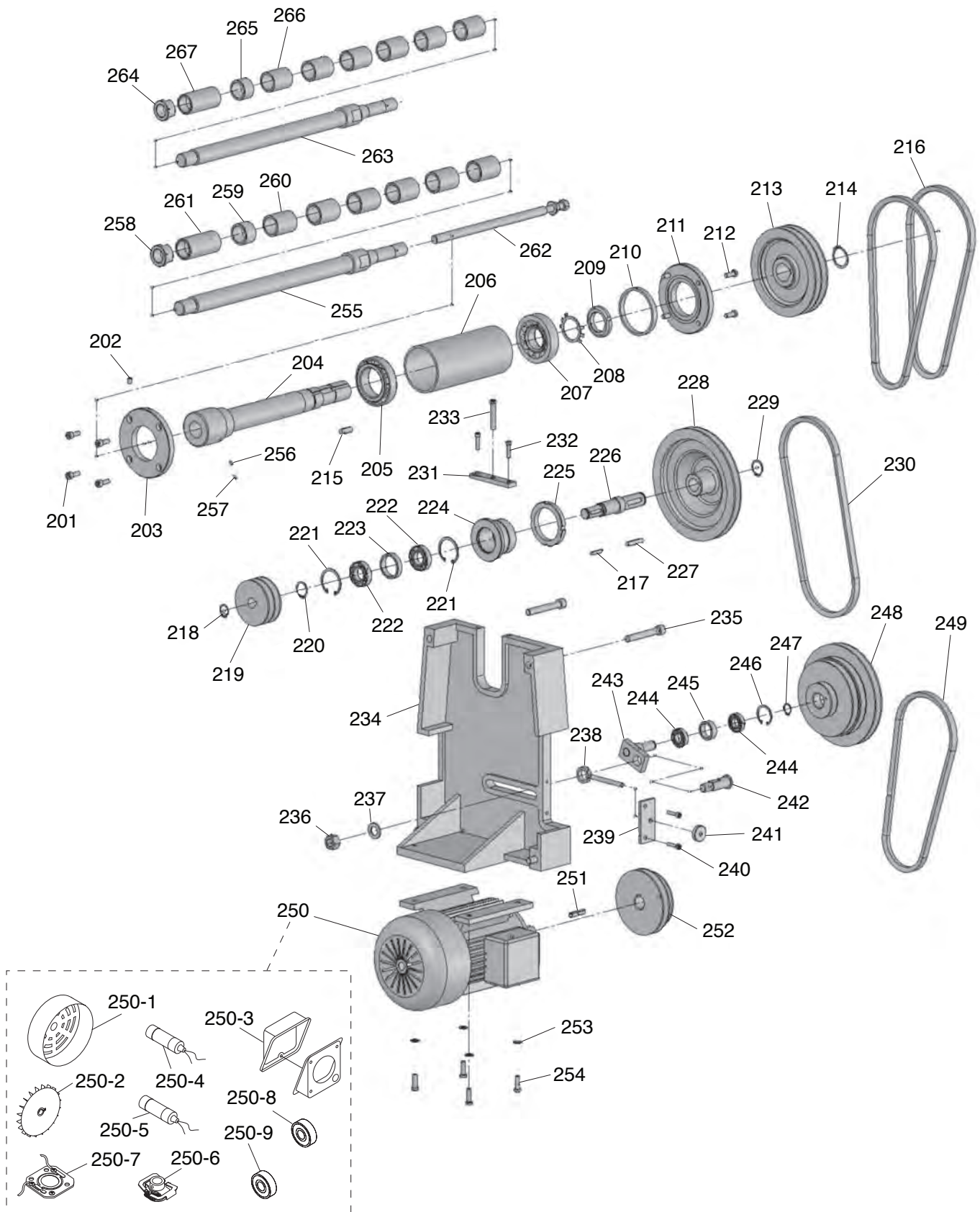
Table

REF	PART #	DESCRIPTION
101	P0757101	HANDLE STEP SCREW M8-1.25 X 12
102	P0757102	HANDWHEEL HANDLE
103	P0757103	HEX NUT M12-1.75
104	P0757104	LOCK WASHER 12MM
105	P0757105	HANDWHEEL
106	P0757106	BUSHING
107	P0757107	SPRING PLATE
108	P0757108	CLUTCH
109	P0757109	KEY 5 X 5 X 20
110	P0757110	GRADUATED DIAL
111	P0757111	CAP SCREW M6-1 X 16
112	P0757112	BUSHING
113	P0757113	THRUST BEARING 51103
114	P0757114	X-AXIS LEADSCREW BRACKET
115	P0757115	CAP SCREW M8-1.25 X 25
116	P0757116	DOWEL PIN 6 X 25
117	P0757117	X-AXIS LEADSCREW NUT
118	P0757118	X-AXIS LEADSCREW
119	P0757119	KEY 5 X 5 X 20
120	P0757120	TABLE
121	P0757121	POWER FEED ASSEMBLY ASONG AS-235
122	P0757122	CAP SCREW M10-1.5 X 25
123	P0757123	X-AXIS GRADUATED DIAL (RH)
124	P0757124	ROTARY TABLE BASE
125	P0757125	X-AXIS GIB
126	P0757126	GIB SCREW M8-1.25
127	P0757127	SADDLE
128	P0757128	Y-AXIS GIB

REF	PART #	DESCRIPTION
129	P0757129	Y-AXIS LEADSCREW NUT
130	P0757130	CAP SCREW M5-.8 X 25
131	P0757131	Y-AXIS LEADSCREW
132	P0757132	KEY 5 X 5 X 30
133	P0757133	Y-AXIS LEADSCREW BRACKET
134	P0757134	ANGLE SCALE
135	P0757135	ANGLE INDICATOR PLATE
136	P0757136	PHLP HD SCR M5-.8 X 10
137	P0757137	BALL OILER 8MM TAP-IN
138	P0757138	LOCK PLUNGER
139	P0757139	ADJUSTABLE HANDLE M10-1.5 X 25
140	P0757140	HEX NUT M12-1.75
141	P0757141	FLAT WASHER 12MM
142	P0757142	T-BOLT M12-1.75 X 42
143	P0757143	SADDLE WAY WIPER
144	P0757144	WAY WIPER PLATE
145	P0757145	PHLP HD SCR M5-.8 X 12
146	P0757146	T-NUT M6-1
147	P0757147	SLEEVE
148	P0757148	CAP SCREW M6-1 X 16
149	P0757149	TABLE PIVOT PIN
150	P0757150	FLAT WASHER 6MM
151	P0757151	CAP SCREW M6-1 X 30
152	P0757152	DOWEL PIN 6 X 25
153	P0757153	COOLANT HOSE CONNECTOR 1/2" NPT
154	P0757154	COOLANT HOSE CLAMP 3/4"
155	P0757155	COOLANT HOSE 1/2" X 36"



Horizontal Spindle & Motor



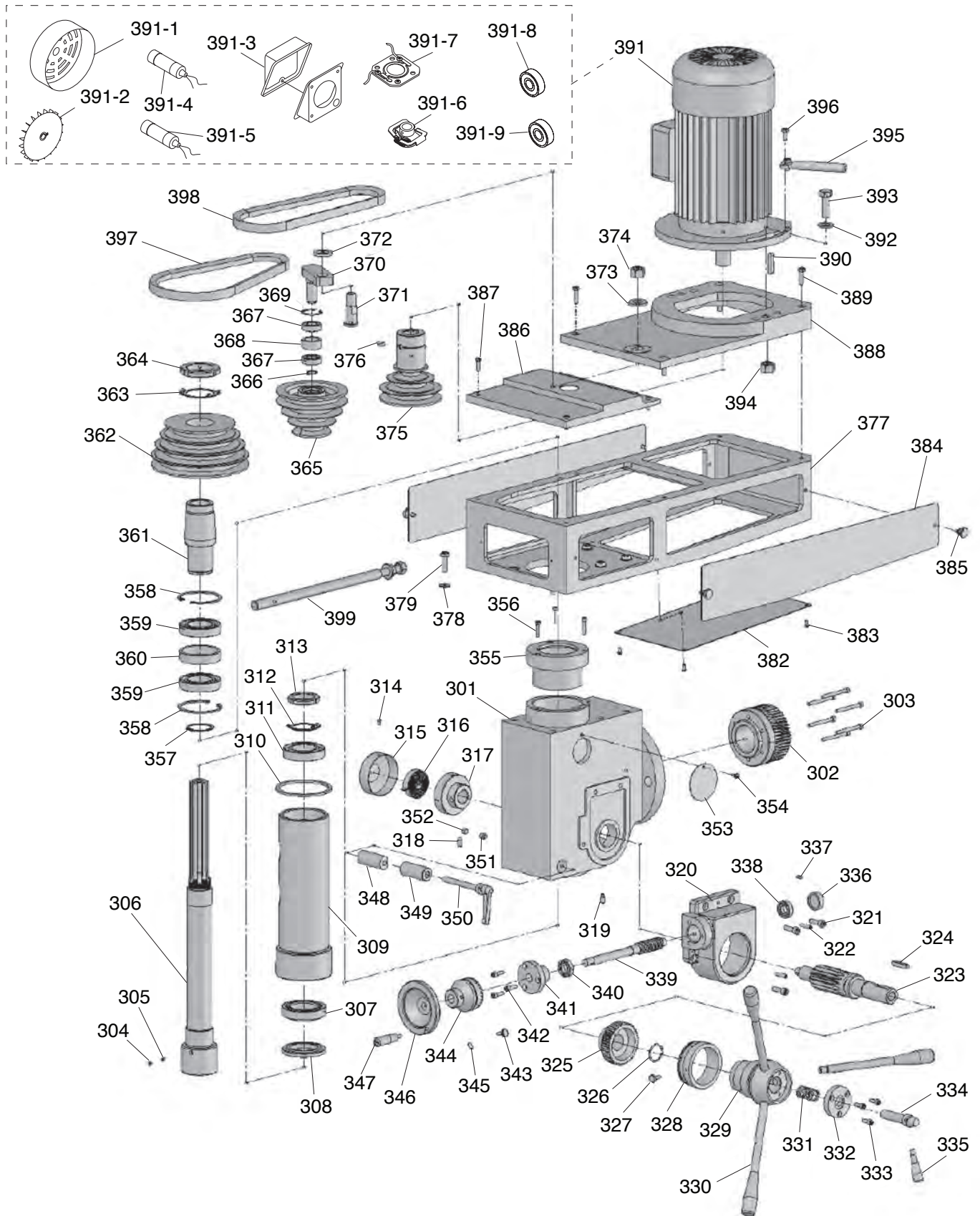
Horizontal Spindle & Motor

REF	PART #	DESCRIPTION
201	P0757201	CAP SCREW M8-1.25 X 25
202	P0757202	BALL OILER 8MM TAP-IN
203	P0757203	INBOARD END COVER
204	P0757204	HORIZONTAL SPINDLE R-8
205	P0757205	TAPERED ROLLER BEARING 32011 P5
206	P0757206	HORIZONTAL QUILL
207	P0757207	TAPERED ROLLER BEARING 30308 P5
208	P0757208	SPANNER LOCK WASHER 39MM
209	P0757209	SPANNER NUT M39-1.5
210	P0757210	SPACER 4 X 90MM
211	P0757211	OUTBOARD END COVER
212	P0757212	CAP SCREW M8-1.25 X 25
213	P0757213	HORIZONTAL SPINDLE PULLEY
214	P0757214	EXT RETAINING RING 35MM
215	P0757215	KEY 10 X 8 X 30
216	P0757216	V-BELT A33
217	P0757217	KEY 6 X 6 X 30
218	P0757218	EXT RETAINING RING 20MM
219	P0757219	TRANSFER PULLEY
220	P0757220	EXT RETAINING RING 28MM
221	P0757221	INT RETAINING RING 47MM
222	P0757222	BALL BEARING 6005ZZ
223	P0757223	SPACER
224	P0757224	BEARING SEAT
225	P0757225	SPANNER NUT M64-2
226	P0757226	UPPER IDLER PULLEY SHAFT
227	P0757227	KEY 8 X 8 X 40
228	P0757228	UPPER IDLER PULLEY
229	P0757229	EXT RETAINING RING 25MM
230	P0757230	V-BELT A34
231	P0757231	SPANNER NUT LOCKDOWN BAR
232	P0757232	CAP SCREW M6-1 X 25
233	P0757233	CAP SCREW M8-1.25 X 60
234	P0757234	HORIZONTAL MOTOR/PULLEY BRACKET
235	P0757235	CAP SCREW M12-1.75 X 80
236	P0757236	HEX NUT M16-2
237	P0757237	FLAT WASHER 16MM
238	P0757238	TENSION ROD END M8-1.25 X 90

REF	PART #	DESCRIPTION
239	P0757239	TENSION ROD END BRACKET
240	P0757240	CAP SCREW M6-1 X 25
241	P0757241	THUMB WHEEL M8-1.25
242	P0757242	LOWER IDLER PULLEY SHAFT
243	P0757243	TENSION PIVOT ARM
244	P0757244	BALL BEARING 6003ZZ
245	P0757245	SPACER
246	P0757246	INT RETAINING RING 35MM
247	P0757247	EXT RETAINING RING 17MM
248	P0757248	LOWER IDLER PULLEY
249	P0757249	V-BELT A31.5
250	P0757250	HORIZONTAL SPINDLE MOTOR 2HP 220V 1-PH
250-1	P0757250-1	MOTOR FAN COVER
250-2	P0757250-2	MOTOR FAN
250-3	P0757250-3	MOTOR JUNCTION BOX
250-4	P0757250-4	R CAPACITOR 20M 450V 1-5/8 X 3-1/8
250-5	P0757250-5	S CAPACITOR 150M 250V 1-5/8 X 3-1/8
250-6	P0757250-6	CENTRIFUGAL SWITCH
250-7	P0757250-7	CONTACT PLATE
250-8	P0757250-8	BALL BEARING 6205ZZ
250-9	P0757250-9	BALL BEARING 6205ZZ
251	P0757251	KEY 8 X 8 X 45
252	P0757252	HORIZONTAL MOTOR PULLEY
253	P0757253	LOCK WASHER 8MM
254	P0757254	HEX BOLT M8-1.25 X 30
255	P0757255	HORIZONTAL ARBOR 1-1/4"
256	P0757256	SET SCREW M5-.8 X 8 DOG-PT
257	P0757257	SET SCREW M5-.8 X 6
258	P0757258	HORIZONTAL ARBOR NUT 1-1/4-7
259	P0757259	ARBOR SPACER 1-1/4" X 1"
260	P0757260	ARBOR SPACER 1-1/4" X 2"
261	P0757261	ARBOR SPACER 1-1/4" X 3-1/8"
262	P0757262	HORIZONTAL DRAWBAR 7/16-20 X 13-3/4
263	P0757263	HORIZONTAL ARBOR 1"
264	P0757264	HORIZONTAL ARBOR NUT 1-8
265	P0757265	ARBOR SPACER 1" X 1"
266	P0757266	ARBOR SPACER 1" X 2"
267	P0757267	ARBOR SPACER 1" X 3-1/8"



Headstock



Headstock

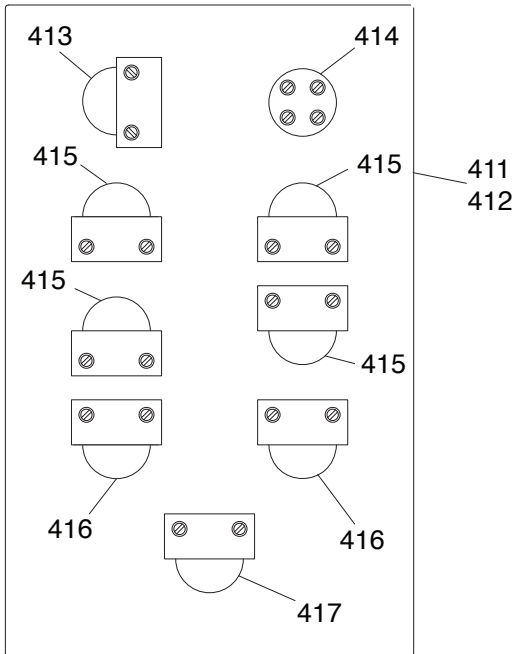
REF	PART #	DESCRIPTION
301	P0757301	HEADSTOCK CASTING
302	P0757302	GEAR 50T
303	P0757303	CAP SCREW M6-1 X 70
304	P0757304	SET SCREW M5-.8 X 6 DOG-PT
305	P0757305	SET SCREW M5-.8 X 6
306	P0757306	VERTICAL SPINDLE R-8
307	P0757307	TAPERED ROLLER BEARING 32010 P5
308	P0757308	VERTICAL SPINDLE LOWER OIL SEAL
309	P0757309	QUILL
310	P0757310	GASKET
311	P0757311	BALL BEARING 6009ZZ P5
312	P0757312	SPANNER NUT TOOTHED WASHER 40MM
313	P0757313	SPANNER NUT M40-1.5
314	P0757314	CAP SCREW M4-.7 X 8
315	P0757315	SPRING CAP
316	P0757316	RETURN COIL SPRING
317	P0757317	SPRING BASE
318	P0757318	SET SCREW M8-1.25 X 16
319	P0757319	SET SCREW M8-1.25 X 16
320	P0757320	DOWNFEED GEAR HOUSING
321	P0757321	CAP SCREW M8-1.25 X 25
322	P0757322	DOWEL PIN 6 X 25
323	P0757323	COARSE DOWNFEED GEAR SHAFT 16T
324	P0757324	KEY 8 X 8 X 38
325	P0757325	WORM GEAR
326	P0757326	EXT RETAINING RING 30MM
327	P0757327	THUMB SCREW M6-1 X 16
328	P0757328	COARSE DOWNFEED GRADUATED DIAL
329	P0757329	COARSE DOWNFEED LEVER HUB
330	P0757330	COARSE DOWNFEED LEVER M12-1.75 X 15
331	P0757331	COMPRESSION SPRING
332	P0757332	LEVER HUB END CAP
333	P0757333	CAP SCREW M6-1 X 12
334	P0757334	DOWNFEED SELECTION SHAFT
335	P0757335	SHAFT HANDLE M8-1.25 X 10
336	P0757336	BEARING CAP
337	P0757337	CAP SCREW M6-1 X 12
338	P0757338	BALL BEARING 6002ZZ
339	P0757339	FINE DOWNFEED WORM SHAFT
340	P0757340	BALL BEARING 6002ZZ
341	P0757341	WORM SHAFT BRACKET
342	P0757342	CAP SCREW M6-1 X 20
343	P0757343	THUMB SCREW M6-1 X 16
344	P0757344	FINE DOWNFEED GRADUATED DIAL
345	P0757345	SET SCREW M6-1 X 12
346	P0757346	FINE DOWNFEED HANDWHEEL
347	P0757347	HANDWHEEL HANDLE M8-1.25 X 10
348	P0757348	INNER QUILL LOCK SLEEVE
349	P0757349	OUTER QUILL LOCK SLEEVE
350	P0757350	ADJUSTABLE HANDLE M10-1.5 X 90
351	P0757351	SET SCREW M10-1.5 X 10
352	P0757352	SET SCREW M10-1.5 X 10
353	P0757353	COVER PLATE

REF	PART #	DESCRIPTION
354	P0757354	CAP SCREW M5-.8 X 10
355	P0757355	QUILL TOP COVER
356	P0757356	CAP SCREW M5-.8 X 30
357	P0757357	EXT RETAINING RING 45MM
358	P0757358	INT RETAINING RING 75MM
359	P0757359	BALL BEARING 6009ZZ P5
360	P0757360	SPACER
361	P0757361	INTERNAL SPLINE SHAFT
362	P0757362	VERTICAL SPINDLE PULLEY
363	P0757363	SPANNER NUT TOOTHED WASHER 50MM
364	P0757364	SPANNER NUT M50-1.5
365	P0757365	VERTICAL SPINDLE IDLER PULLEY
366	P0757366	EXT RETAINING RING 17MM
367	P0757367	BALL BEARING 6003ZZ
368	P0757368	SPACER
369	P0757369	INT RETAINING RING 35MM
370	P0757370	IDLER PULLEY PIVOT ARM
371	P0757371	IDLER PULLEY PIVOT SHAFT
372	P0757372	FLAT WASHER 16MM
373	P0757373	FLAT WASHER 16MM
374	P0757374	HEX NUT M16-2
375	P0757375	VERTICAL SPINDLE MOTOR PULLEY
376	P0757376	SET SCREW M8-1.25 X 12
377	P0757377	VERTICAL SPINDLE PULLEY HOUSING
378	P0757378	FLAT WASHER 10MM
379	P0757379	CAP SCREW M10-1.5 X 30
382	P0757382	PULLEY HOUSING BOTTOM COVER
383	P0757383	CAP SCREW M5-.8 X 10
384	P0757384	PULLEY HOUSING SIDE COVER
385	P0757385	THUMB SCREW M6-1 X 10
386	P0757386	PULLEY HOUSING TOP COVER
387	P0757387	CAP SCREW M6-1 X 16
388	P0757388	VERTICAL SPINDLE MOTOR MOUNT
389	P0757389	CAP SCREW M8-1.25 X 30
390	P0757390	KEY 8 X 8 X 40
391	P0757391	VERTICAL SPINDLE MOTOR 3HP 220V 1-PH
391-1	P0757391-1	MOTOR FAN COVER
391-2	P0757391-2	MOTOR FAN
391-3	P0757391-3	MOTOR JUNCTION BOX
391-4	P0757391-4	R CAPACITOR 50M 450V 2 X 4
391-5	P0757391-5	S CAPACITOR 300M 250V 2 X 4
391-6	P0757391-6	CENTRIFUGAL SWITCH
391-7	P0757391-7	CONTACT PLATE
391-8	P0757391-8	BALL BEARING 6206ZZ
391-9	P0757391-9	BALL BEARING 6206ZZ
392	P0757392	FLAT WASHER 14MM
393	P0757393	HEX BOLT M14-2 X 40
394	P0757394	HEX NUT M14-2
395	P0757395	MOTOR HANDLE
396	P0757396	CAP SCREW M8-1.25 X 25
397	P0757397	V-BELT B29
398	P0757398	V-BELT B29
399	P0757399	VERTICAL DRAWBAR 7/16-20 X 20

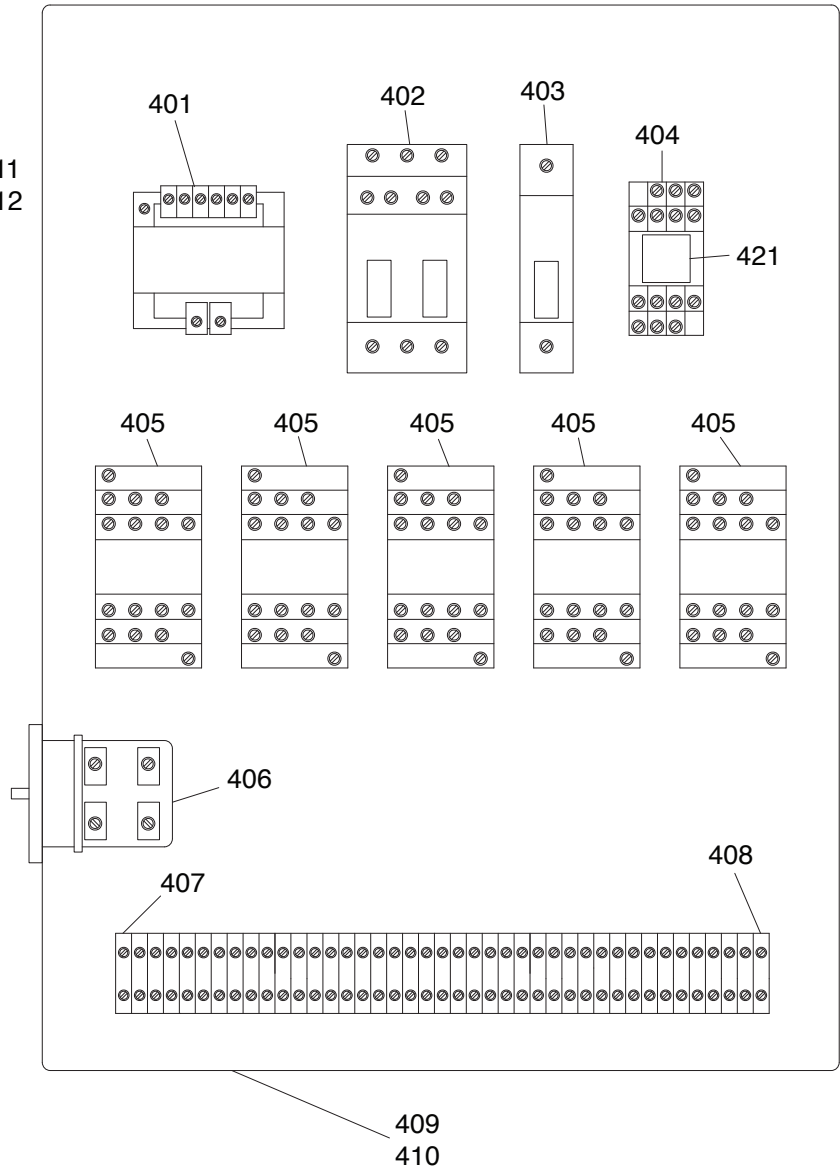


Electrical Components

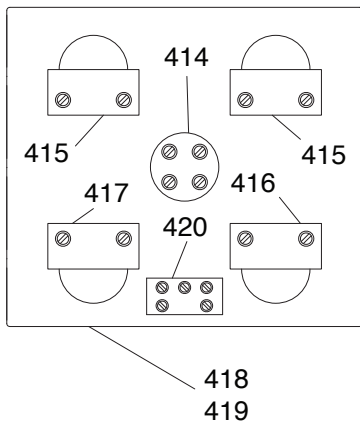
Main Control Panel



Electrical Cabinet



Horizontal Control Panel



REF	PART #	DESCRIPTION
401	P0757401	TRANSFORMER AOHENGDA ELEC JBK5-63
402	P0757402	MOTOR START CHINT NS2-25
403	P0757403	CIRCUIT BREAKER CHINT DZ47-60
404	P0757404	RELAY SOCKET OMRON 2-M4X10
405	P0757405	CONTACTOR SIEMENS 3TB41 29V
406	P0757406	ROTARY SWITCH JUCHE AC21A
407	P0757407	GROUND TERMINAL BAR 1P
408	P0757408	TERMINAL BAR 1P
409	P0757409	ELECTRICAL BACK PLATE
410	P0757410	ELECTRICAL CABINET W/DOOR
411	P0757411	MASTER CONTROL PANEL PLATE

REF	PART #	DESCRIPTION
412	P0757412	MASTER CONTROL PANEL BOX
413	P0757413	COOLANT SWITCH MINGER LA125H-BE101C
414	P0757414	POWER LAMP BUTTON PNC EB2
415	P0757415	ON BUTTON MINGER LA125H-BE101C
416	P0757416	OFF BUTTON MINGER LA125H-BE102C
417	P0757417	E-STOP BUTTON MINGER LA125H-BE102C
418	P0757418	HORIZONTAL CONTROL PANEL PLATE
419	P0757419	HORIZONTAL CONTROL PANEL BOX
420	P0757420	GROUNDING BLOCK
421	P0757421	RELAY OMRON MY4N-J



Accessories

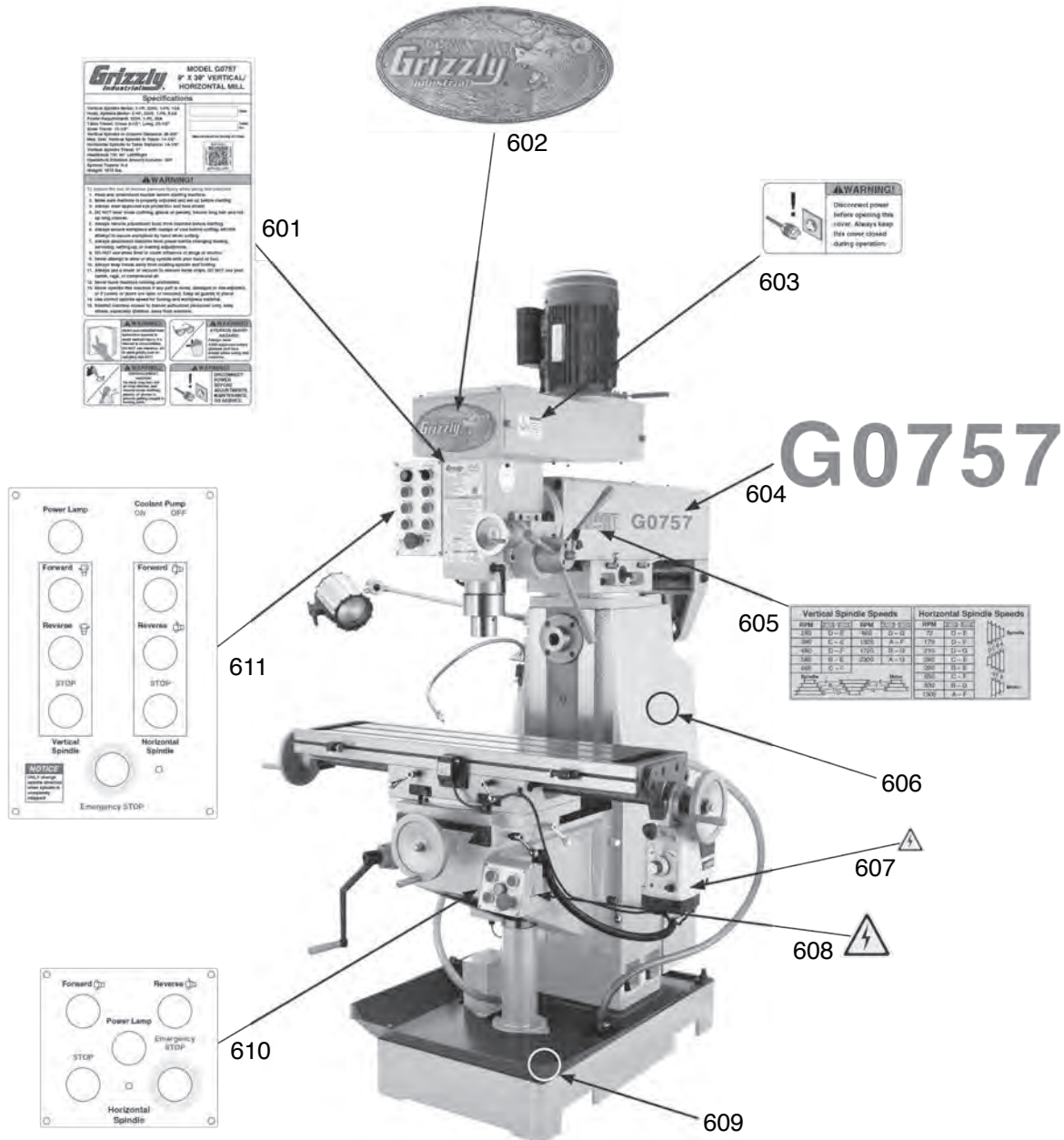


REF	PART #	DESCRIPTION
501	P0757501	BOTTLE FOR OIL
502	P0757502	TOOLBOX
503	P0757503	SPINDLE SLEEVE MT#3-MT#2
504	P0757504	DRILL CHUCK ARBOR R8-B16
505	P0757505	END MILL ARBOR R8-1"
506	P0757506	SPINDLE SLEEVE R8-MT#3
507	P0757507	WRENCH 17 X 19MM OPEN-ENDS
508	P0757508	WRENCH 22 X 24MM OPEN-ENDS
509	P0757509	HEX WRENCH 8MM

REF	PART #	DESCRIPTION
510	P0757510	HEX WRENCH 6MM
511	P0757511	HEX WRENCH 5MM
512	P0757512	HEX WRENCH 4MM
513	P0757513	HEX WRENCH 3MM
514	P0757514	T-BOLT M14-2 X 60
515	P0757515	FLAT WASHER 14MM
516	P0757516	HEX NUT M14-2
517	P0757517	DRILL CHUCK B16 W/CHUCK KEY



Right Side Machine Labels



REF	PART #	DESCRIPTION
601	P0757601	MACHINE ID LABEL
602	P0757602	GRIZZLY NAMEPLATE-SMALL
603	P0757603	DISCONNECT WARNING LABEL
604	P0757604	MODEL NUMBER LABEL
605	P0757605	V-BELT CONFIGURATION LABEL
606	P0757606	GRIZZLY PUTTY TOUCH-UP PAINT

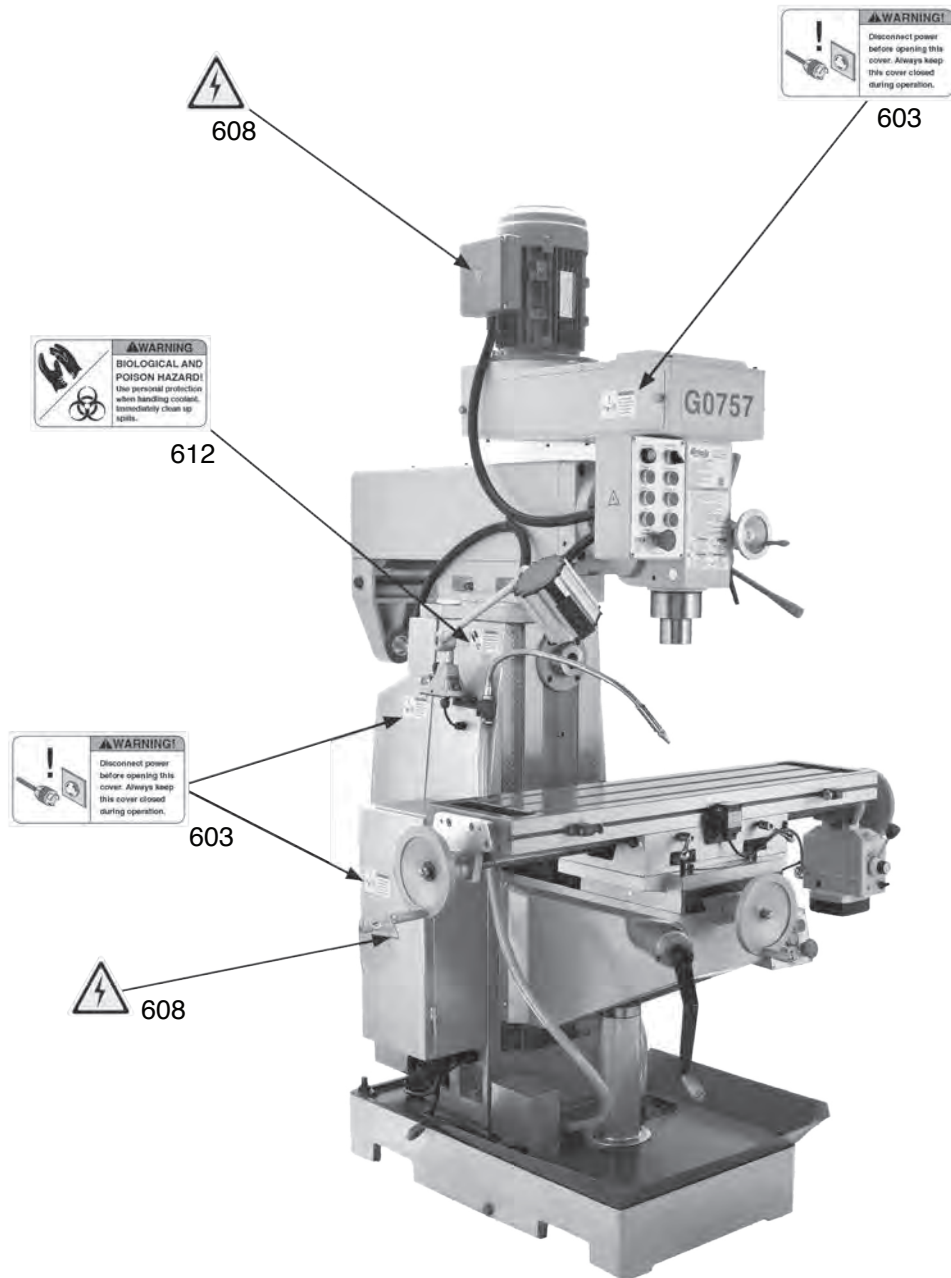
REF	PART #	DESCRIPTION
607	P0757607	ELECTRICITY LABEL 0.7"W
608	P0757608	ELECTRICITY LABEL 1.4"W
609	P0757609	GRIZZLY GREEN TOUCH-UP PAINT
610	P0757610	HORIZONTAL CONTROL PANEL LABEL
611	P0757611	MASTER CONTROL PANEL LABEL

WARNING

Safety labels help reduce the risk of serious injury caused by machine hazards. If any label comes off or becomes unreadable, the owner of this machine **MUST** replace it in the original location before resuming operations. For replacements, contact (800) 523-4777 or www.grizzly.com.



Left Side Machine Labels



REF	PART #	DESCRIPTION
603	P0757603	DISCONNECT WARNING LABEL
606	P0757606	GRIZZLY PUTTY TOUCH-UP PAINT

REF	PART #	DESCRIPTION
612	P0757612	BIOHAZARD WARNING LABEL

