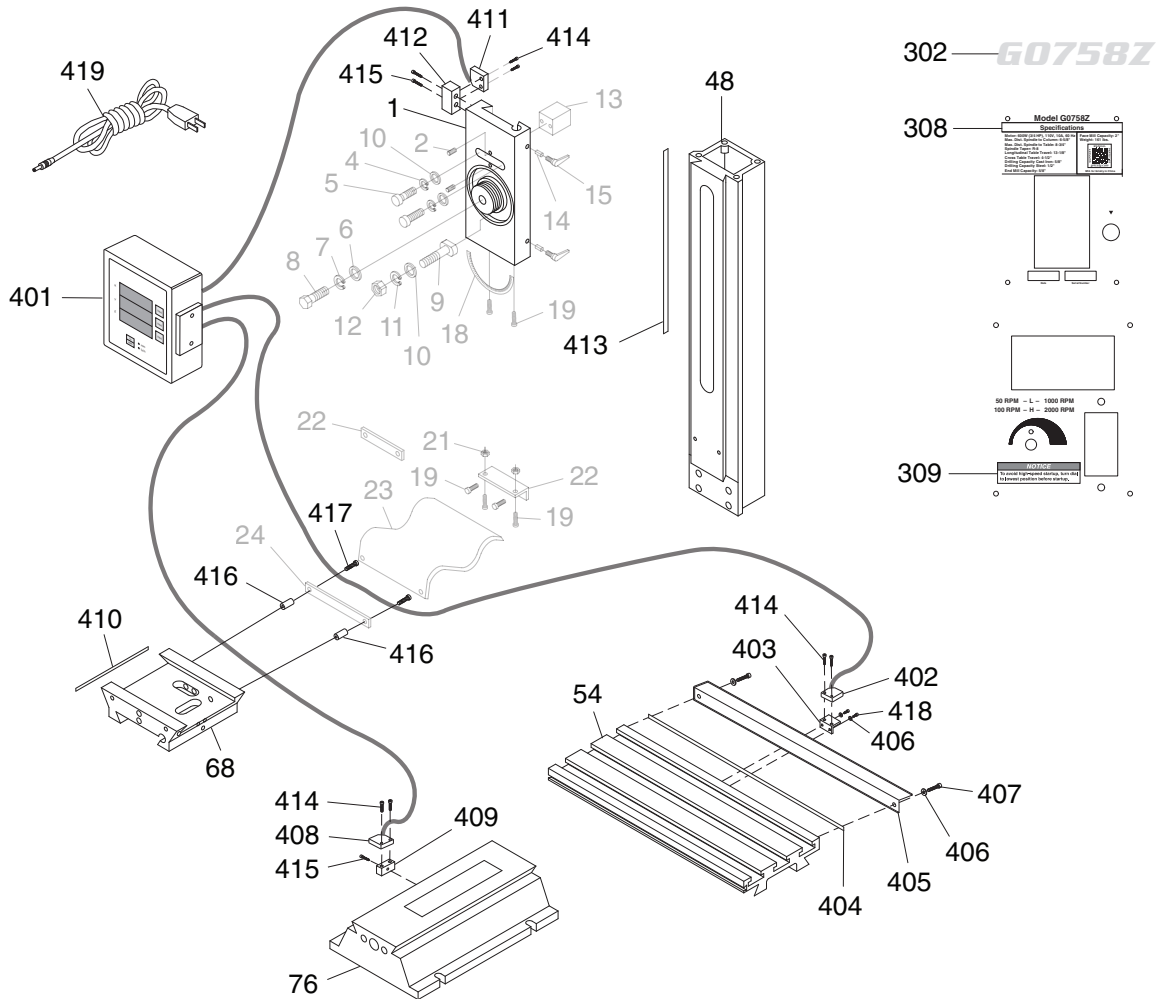


G0758Z Unique Parts



| REF | PART # | DESCRIPTION |
|-----|-----------|----------------------------------|
| 1 | P0758Z001 | Z-AXIS SLIDE |
| 48 | P0758Z048 | COLUMN |
| 54 | P0758Z054 | TABLE |
| 68 | P0758Z068 | SADDLE |
| 76 | P0758Z076 | BASE |
| 302 | P0758Z302 | MODEL NUMBER LABEL |
| 308 | P0758Z308 | MACHINE ID LABEL |
| 309 | P0758Z309 | CONTROL PANEL LABEL |
| 401 | P0758Z401 | DRO DISPLAY UNIT |
| 402 | P0758Z402 | X-AXIS DRO SENSOR |
| 403 | P0758Z403 | X-AXIS SENSOR MOUNTING BRACKET |
| 404 | P0758Z404 | X-AXIS METALLIC STRIP 10 X 480MM |
| 405 | P0758Z405 | ALUM BRACKET 30 X 480 |
| 406 | P0758Z406 | FLAT WASHER 4MM |

| REF | PART # | DESCRIPTION |
|-----|-----------|----------------------------------|
| 407 | P0758Z407 | CAP SCREW M4-.7 X 8 |
| 408 | P0758Z408 | Y-AXIS DRO SENSOR |
| 409 | P0758Z409 | Y-AXIS SENSOR MOUNTING BLOCK |
| 410 | P0758Z410 | Y-AXIS METALLIC STRIP 10 X 150MM |
| 411 | P0758Z411 | Z-AXIS DRO SENSOR |
| 412 | P0758Z412 | Z-AXIS SENSOR MOUNTING BLOCK |
| 413 | P0758Z413 | Z-AXIS METALLIC STRIP 10 X 390MM |
| 414 | P0758Z414 | CAP SCREW M3-.5 X 16 |
| 415 | P0758Z415 | CAP SCREW M4-.7 X 16 |
| 416 | P0758Z416 | STEEL SLEEVE 5 X 18 X 33L |
| 417 | P0758Z417 | CAP SCREW M5-.8 X 50 |
| 418 | P0758Z418 | CAP SCREW M4-.7 X 8 |
| 419 | P0758Z419 | DRO POWER CORD 2W 18G 72" 1-15P |

