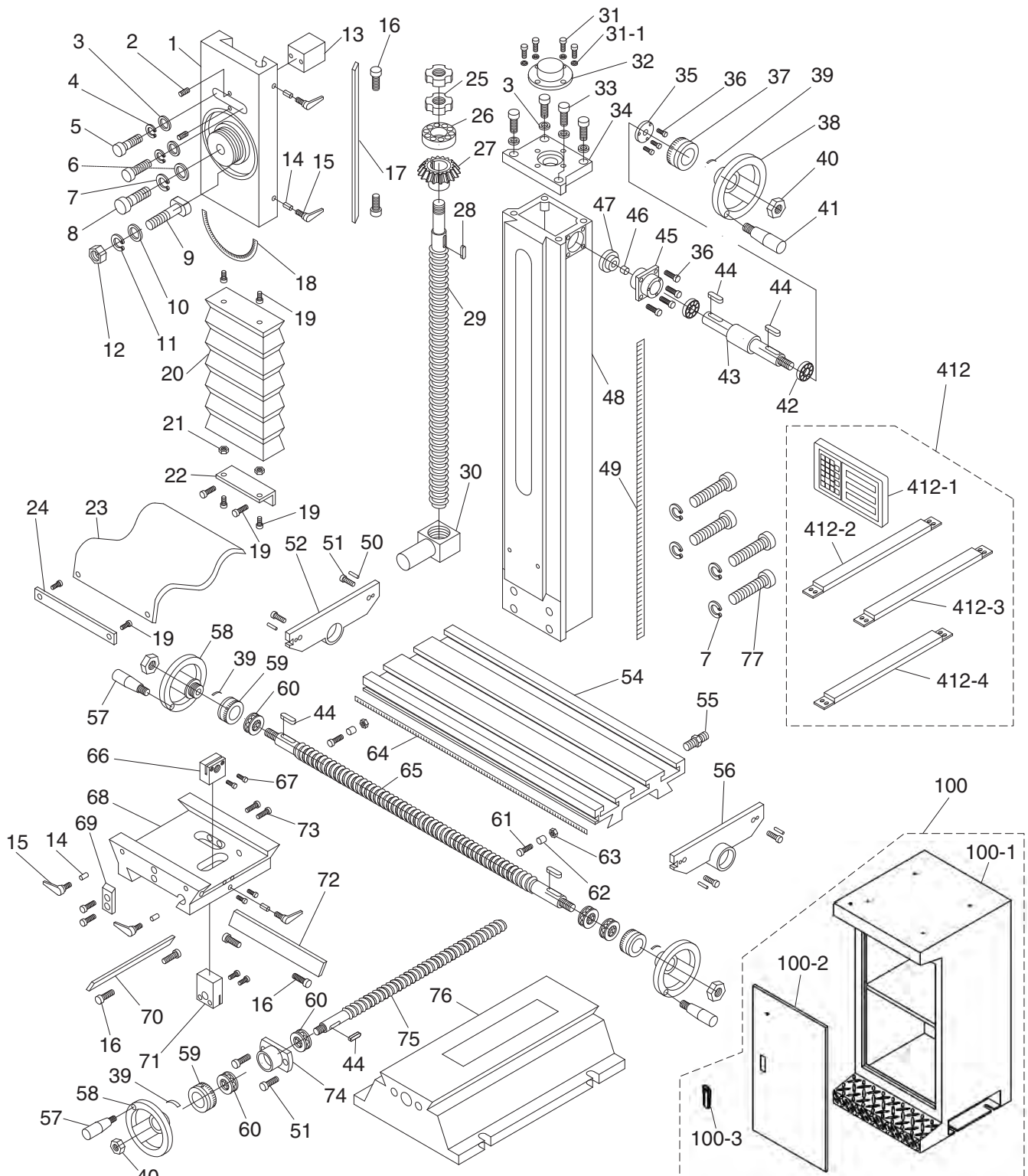


# Column & Stand



**Please Note:** We do our best to stock replacement parts whenever possible, but we cannot guarantee that all parts shown here are available for purchase. Call (800) 523-4777 or visit our online parts store at [www.grizzly.com](http://www.grizzly.com) to check for availability.



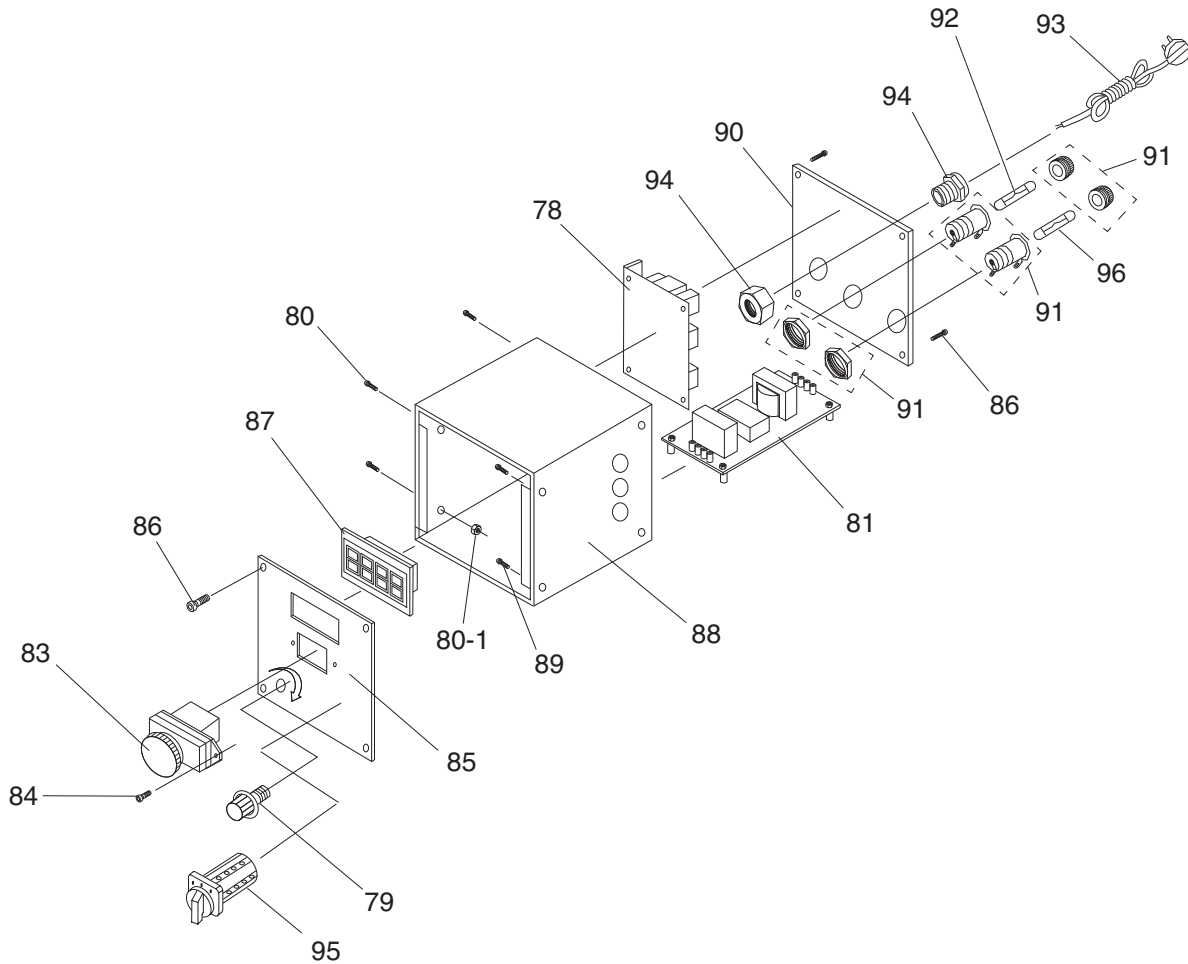
# Column & Stand

REF	PART #	DESCRIPTION
1	P0759001	Z-AXIS SLIDE
2	P0759002	SET SCREW M6-1 X 16
3	P0759003	FLAT WASHER 8MM
4	P0759004	LOCK WASHER 8MM
5	P0759005	CAP SCREW M8-1.25 X 25
6	P0759006	FLAT WASHER 12MM
7	P0759007	LOCK WASHER 12MM
8	P0759008	CAP SCREW M12-1.75 X 40
9	P0759009	T-BOLT M10-1.5
10	P0759010	FLAT WASHER 10MM
11	P0759011	LOCK WASHER 10MM
12	P0759012	HEX NUT M10-1.5
13	P0759013	SLIDE ALIGNMENT BLOCK
14	P0759014	LOCK PLUNGER, BRASS
15	P0759015	ADJUSTABLE HANDLE M6-1 X 16
16	P0759016	GIB ADJUSTMENT SCREW
17	P0759017	Z-AXIS GIB
18	P0759018	HEADSTOCK ANGLE SCALE
19	P0759019	CAP SCREW M5-.8 X 10
20	P0759020	Z-AXIS WAY COVER
21	P0759021	HEX NUT M5-.8
22	P0759022	Z-AXIS WAY COVER BRACKET
23	P0759023	Y-AXIS WAY COVER
24	P0759024	Y-AXIS WAY COVER BRACKET
25	P0759025	Z-AXIS LEADSCREW LOCK NUT
26	P0759026	THRUST BEARING 51203
27	P0759027	BEVEL GEAR
28	P0759028	KEY 4 X 4 X 16
29	P0759029	Z-AXIS LEADSCREW
30	P0759030	Z-AXIS LEADSCREW NUT
31	P0759031	CAP SCREW M5-.8 X 12
31-1	P0759031-1	FLAT WASHER 5MM
32	P0759032	BEARING COVER
33	P0759033	CAP SCREW M8-1.25 X 20
34	P0759034	COLUMN TOP PLATE
35	P0759035	COLLAR FLANGE
36	P0759036	CAP SCREW M5-.8 X 12
37	P0759037	Z-AXIS GRADUATED DIAL
38	P0759038	Z-AXIS HANDWHEEL
39	P0759039	HANDWHEEL CURVED PLATE SPRING
40	P0759040	HEX NUT M8-1.25
41	P0759041	Z-AXIS HANDWHEEL HANDLE M6-1 X 10
42	P0759042	BALL BEARING 6001ZZ

REF	PART #	DESCRIPTION
43	P0759043	Z-AXIS HANDWHEEL SHAFT
44	P0759044	KEY 4 X 4 X 12
45	P0759045	PILLOW BLOCK
46	P0759046	SPACER
47	P0759047	PINION GEAR
48	P0759048	COLUMN
49	P0759049	Z-AXIS SCALE
50	P0759050	THREADED SLEEVE M6-1 X 16
51	P0759051	CAP SCREW M6-1 X 14
52	P0759052	X-AXIS LEADSCREW BRACKET (LH)
54	P0759054	TABLE
55	P0759055	COOLANT HOSE FITTING
56	P0759056	X-AXIS LEADSCREW BRACKET (RH)
57	P0759057	TABLE HANDWHEEL HANDLE M6-1 X 10
58	P0759058	TABLE HANDWHEEL
59	P0759059	TABLE GRADUATED DIAL
60	P0759060	THRUST BEARING 51200
61	P0759061	CAP SCREW M6-1 X 10
62	P0759062	LIMIT STOP
63	P0759063	T-NUT M6-1
64	P0759064	X-AXIS SCALE
65	P0759065	X-AXIS LEADSCREW
66	P0759066	X-AXIS LEADSCREW NUT
67	P0759067	CAP SCREW M4-.7 X 20
68	P0759068	SADDLE
69	P0759069	TABLE STOP BLOCK
70	P0759070	Y-AXIS GIB
71	P0759071	Y-AXIS LEADSCREW NUT
72	P0759072	X-AXIS GIB
73	P0759073	CAP SCREW M6-1 X 25
74	P0759074	X-AXIS BEARING HOUSING
75	P0759075	X-AXIS LEADSCREW
76	P0759076	BASE
77	P0759077	CAP SCREW M12-1.75 X 90
100	P0759100	STAND ASSEMBLY
100-1	P0759100-1	STAND CABINET
100-2	P0759100-2	STAND DOOR
100-3	P0759100-3	STAND DOOR LATCH
412	P0759412	X/Z-AXIS DRO ASSEMBLY
412-1	P0759412-1	DRO DISPLAY
412-2	P0759412-2	X-AXIS DRO SCALE
412-3	P0759412-3	Y-AXIS DRO SCALE
412-4	P0759412-4	Z-AXIS DRO SCALE



# Electrical Box

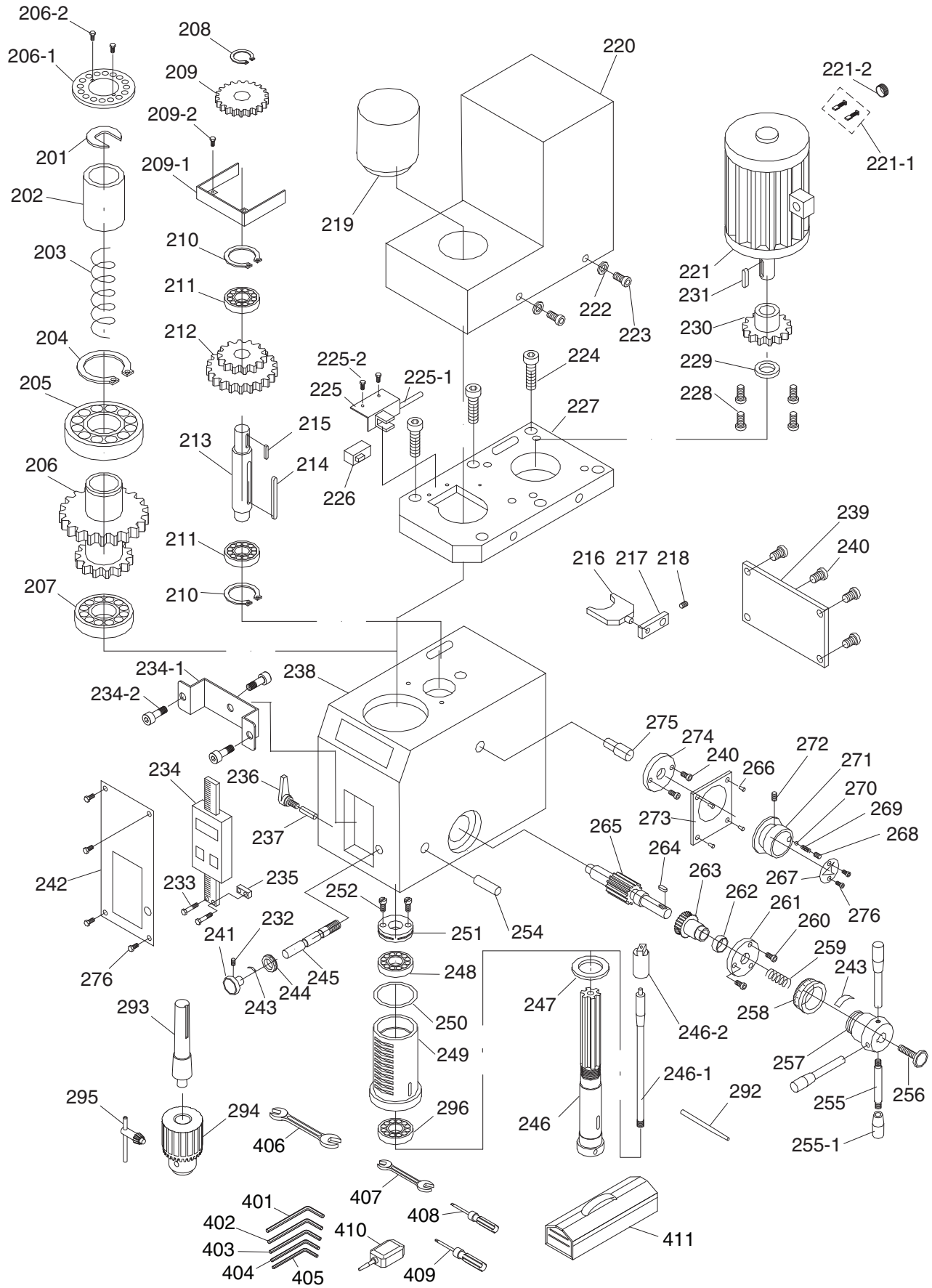


REF	PART #	DESCRIPTION
78	P0759078	CIRCUIT BOARD JD-014 5WR02J
79	P0759079	POTENTIOMETER W/ KNOB WX14-12
80	P0759080	CAP SCREW M3-.5 X 16
80-1	P0759080-1	HEX NUT M3-.5
81	P0759081	CIRCUIT BOARD CESX 1101-28
83	P0759083	ON/OFF SWITCH KEDU KJD-178/120V
84	P0759084	CAP SCREW M4-.7 X 10
85	P0759085	CONTROL PANEL PLATE
86	P0759086	CAP SCREW M4-.7 X 6
87	P0759087	RPM DIGITAL DISPLAY ZD-SX-THL

REF	PART #	DESCRIPTION
88	P0759088	ELECTRICAL BOX
89	P0759089	CAP SCREW M5-.8 X 8
90	P0759090	ELECTRICAL BOX REAR COVER
91	P0759091	FUSE HOLDER
92	P0759092	FUSE 15A 250V FAST-ACTING, GLASS
93	P0759093	POWER CORD 18G 3W 72" 5-15
94	P0759094	STRAIN RELIEF M20 X 1.5 TYPE-3
95	P0759095	FWD/REV SWITCH KEDU EN61058
96	P0759096	FUSE 10A 250V FAST-ACTING, GLASS



# Headstock



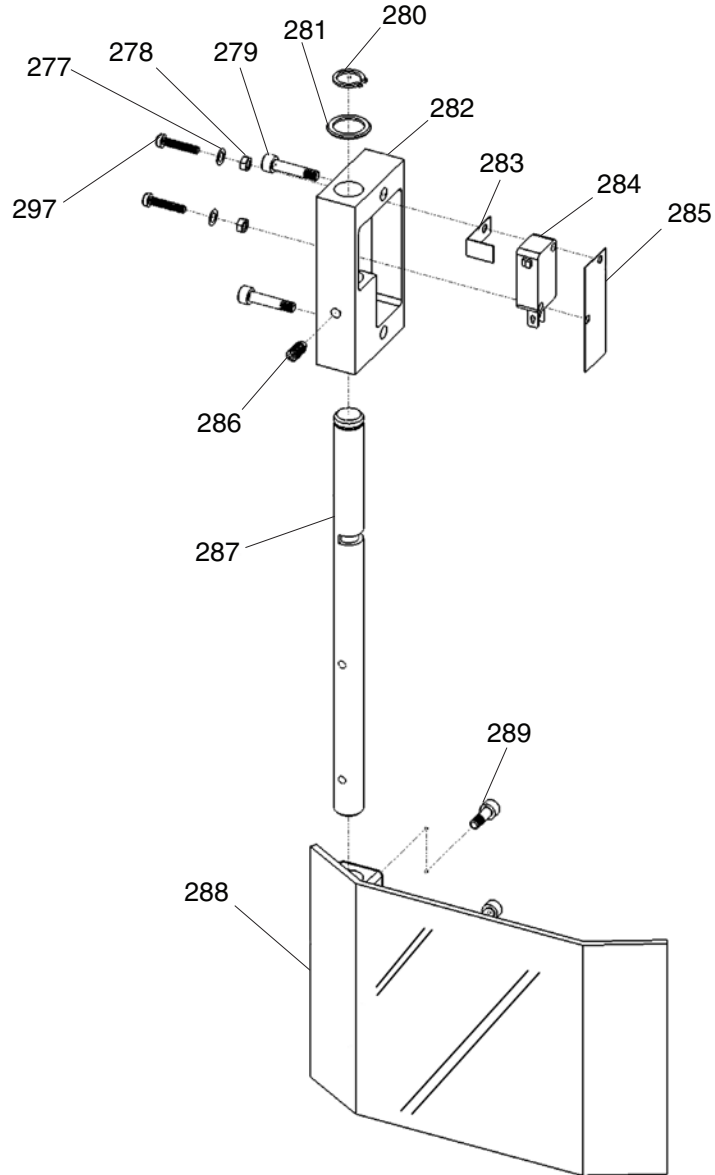
# Headstock

REF	PART #	DESCRIPTION
201	P0759201	QUILL RETAINING CLIP
202	P0759202	BUSHING
203	P0759203	COMPRESSION SPRING
204	P0759204	EXT RETAINING RING 45MM
205	P0759205	BALL BEARING 6209ZZ
206	P0759206	COMBO GEAR 60/70T
206-1	P0759206-1	SPINDLE RING 16MM
206-2	P0759206-2	CAP SCREW M3-.5 X 8
207	P0759207	ANGULAR CONTACT BEARING 7007-2RS
208	P0759208	EXT RETAINING RING 15MM
209	P0759209	GEAR 37T
209-1	P0759209-1	GEAR GUARD
209-2	P0759209-2	CAP SCREW M3-.5 X 6
210	P0759210	EXT RETAINING RING 32MM
211	P0759211	BALL BEARING 6002ZZ
212	P0759212	COMBO GEAR 42/62T
213	P0759213	SHAFT
214	P0759214	KEY 5 X 5 X 50
215	P0759215	KEY 5 X 5 X 12
216	P0759216	FORK
217	P0759217	FORK ARM
218	P0759218	SET SCREW M5-.8 X 8
219	P0759219	DRAWBAR CAP
220	P0759220	MOTOR COVER V2.11.12
221	P0759221	MOTOR 750W 110VDC
221-1	P0759221-1	CARBON BRUSH 2-PC SET
221-2	P0759221-2	CARBON BRUSH CAP 1-PC
222	P0759222	FLAT WASHER 4MM
223	P0759223	CAP SCREW M4-.7 X 8
224	P0759224	CAP SCREW M6-1 X 14
225	P0759225	SPEED SENSOR BRACKET
225-1	P0759225-1	SPEED SENSOR CORD
225-2	P0759225-2	CAP SCREW M3-.5 X 6
226	P0759226	SPEED SENSOR
227	P0759227	MOTOR MOUNT
228	P0759228	CAP SCREW M5-.8 X 12
229	P0759229	MOTOR GEAR RING
230	P0759230	GEAR 20T
231	P0759231	KEY 4 X 4 X 6
232	P0759232	SET SCREW M5-.8 X 6
233	P0759233	CAP SCREW M3-.5 X 6
234	P0759234	Z-AXIS DRO ASSEMBLY
234-1	P0759234-1	Z-AXIS DRO BRACKET
234-2	P0759234-2	CAP SCREW M4-.7 X 10
235	P0759235	Z-AXIS DRO SLIDE MOUNT
236	P0759236	ADJUSTABLE HANDLE M8-1.25 X 20
237	P0759237	LOCK PLUNGER, BRASS
238	P0759238	HEADSTOCK CASTING
239	P0759239	HEADSTOCK REAR COVER
240	P0759240	CAP SCREW M4-.7 X 8
241	P0759241	FINE FEED KNOB
242	P0759242	HEADSTOCK FRONT COVER

REF	PART #	DESCRIPTION
243	P0759243	HANDWHEEL CURVED PLATE SPRING
244	P0759244	FINE DOWNFEED GRADUATED DIAL
245	P0759245	WORM SHAFT
246-1	P0759246-1	DRAWBAR 7/16-20 x 9-11/16
246-2	P0759246-2	DRAWBAR RETAINER CAP
246	P0759246	SPINDLE R8
247	P0759247	SPINDLE RING
248	P0759248	TAPERED ROLLER BEARING 32005
249	P0759249	QUILL
250	P0759250	QUILL SEAL, RUBBER (UPPER)
251	P0759251	PRELOAD ADJUSTER NUT
252	P0759252	ADJUSTER SCREW M5-.8 X 10
254	P0759254	DOWEL PIN 6 X 30
255	P0759255	DOWNFEED LEVER M10-1.5 X 14
255-1	P0759255-1	DOWNFEED LEVER GRIP M10-1.5
256	P0759256	KNOB BOLT M8-1.25 X 30
257	P0759257	COARSE DOWNFEED HUB
258	P0759258	DOWNFEED GRADUATED DIAL
259	P0759259	COMPRESSION SPRING
260	P0759260	CAP SCREW M4-.7 X 40
261	P0759261	DOWNFEED FLANGE
262	P0759262	BUSHING
263	P0759263	WORM GEAR
264	P0759264	KEY 4 X 4 X 12
265	P0759265	GEAR SHAFT 16T
266	P0759266	RIVET 2 X 5MM NAMEPLATE, STEEL
267	P0759267	HI/LO INDICATOR PLATE
268	P0759268	SET SCREW M8-1.25 X 8
269	P0759269	COMPRESSION SPRING
270	P0759270	STEEL BALL 6.5MM
271	P0759271	HI/LO HANDWHEEL
272	P0759272	SET SCREW M5-.8 X 16
273	P0759273	SPEED KNOB PLATE
274	P0759274	FORK SHAFT FLANGE
275	P0759275	FORK SHAFT
276	P0759276	CAP SCREW M3-.5 X 16
292	P0759292	SPINDLE PIN
293	P0759293	DRILL CHUCK ARBOR R8 X B16
294	P0759294	DRILL CHUCK B16 3-16MM
295	P0759295	DRILL CHUCK KEY 1/4" STD 11T SD-3/4"
296	P0759296	TAPERED ROLLER BEARING 32007
401	P0759401	HEX WRENCH 6MM
402	P0759402	HEX WRENCH 5MM
403	P0759403	HEX WRENCH 4MM
404	P0759404	HEX WRENCH 3MM
405	P0759405	HEX WRENCH 2MM
406	P0759406	WRENCH 8 X 10MM OPEN-ENDS
407	P0759407	WRENCH 17 X 19MM OPEN-ENDS
408	P0759408	SCREWDRIVER FLAT #2
409	P0759409	SCREWDRIVER PHILLIPS #2
410	P0759410	BOTTLE FOR OIL
411	P0759411	TOOLBOX



# Chip Guard

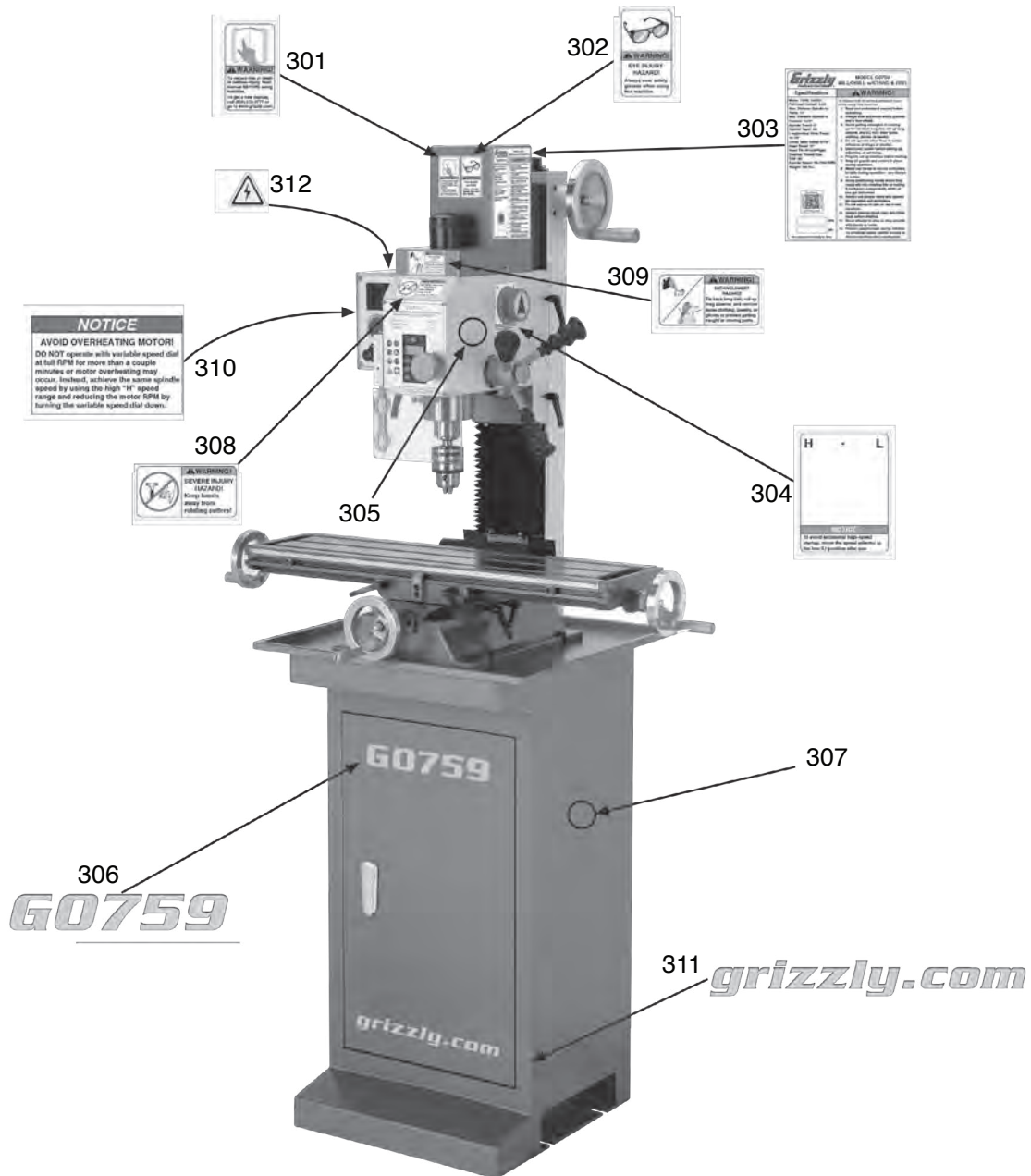


REF	PART #	DESCRIPTION
277	P0759277	FLAT WASHER 3MM
278	P0759278	HEX NUT M3-.5
279	P0759279	CAP SCREW M4-.7 X 20
280	P0759280	EXT RETAINING RING 12MM
281	P0759281	WAVY WASHER 20MM
282	P0759282	GUARD MOUNTING BLOCK
283	P0759283	LIMIT SWITCH L-BRACKET, COPPER

REF	PART #	DESCRIPTION
284	P0759284	LIMIT SWITCH DATER KW1-103
285	P0759285	PROTECTIVE PAPER
286	P0759286	SET SCREW M5-.8 X 10
287	P0759287	CHIP GUARD POST
288	P0759288	CHIP GUARD
289	P0759289	CAP SCREW M4-.7 X 18
297	P0759297	CAP SCREW M3-.5 X 16



# Labels



REF	PART #	DESCRIPTION
301	P0759301	READ MANUAL LABEL
302	P0759302	SAFETY GLASSES LABEL
303	P0759303	MACHINE ID LABEL
304	P0759304	HIGH/LOW SPEED LABEL
305	P0759305	GRIZZLY PUTTY TOUCH-UP PAINT
306	P0759306	MODEL NUMBER LABEL

REF	PART #	DESCRIPTION
307	P0759307	GRIZZLY GREEN TOUCH-UP PAINT
308	P0759308	CUTTER WARNING LABEL
309	P0759309	ENTANGLEMENT LABEL
310	P0759310	AVOID OVERHEATING LABEL
311	P0759311	GRIZZLY.COM LABEL
312	P0759312	ELECTRICITY LABEL

## WARNING

Safety labels help reduce the risk of serious injury caused by machine hazards. If any label comes off or becomes unreadable, the owner of this machine **MUST** replace it in the original location before resuming operations. For replacements, contact (800) 523-4777 or [www.grizzly.com](http://www.grizzly.com).

