

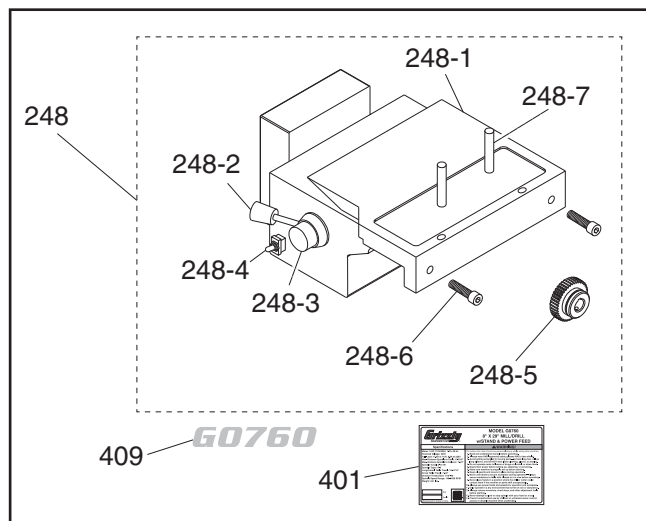


MODEL G0760 8" X 29" MILL/DRILL w/STAND & POWER FEED MANUAL INSERT

The Model G0760 is the same machine as the Model G0705 except the Model G0760 has an X-axis table power feed. Except for the differences noted in this insert, all other content in the Model G0705 owner's manual applies to this machine. Before operating your new machine, you **MUST** read and understand this insert and the entire Model G0705 manual to reduce the risk of injury when using this machine.

If you have any further questions about this manual insert or the differences between the Model G0760 and the Model G0705, contact our Technical Support at (570) 546-9663 or email techsupport@grizzly.com.

Power Feed Assembly



REF	PART #	DESCRIPTION
248	P0760248	POWER FEED ASSY ALIGN AS-235
248-1	P0760248-1	MOUNTING BRACKET 2-PC
248-2	P0760248-2	CONTROL HANDLE
248-3	P0760248-3	SPEED CONTROL KNOB
248-4	P0760248-4	ON/OFF SWITCH
248-5	P0760248-5	ZYTEL GEAR ASSEMBLY
248-6	P0760248-6	CAP SCREW M8-1.25 X 20
248-7	P0760248-7	DOWEL PIN 6 X 30
401	P0760401	MACHINE ID LABEL
409	P0760409	MODEL NUMBER LABEL

Attaching Power Feed

For shipping purposes, the power feed assembly comes unattached from the table.

To attach power feed assembly:

1. DISCONNECT MACHINE FROM POWER!
2. Insert pins shown in **Figure 1** into holes on top of left side of table.

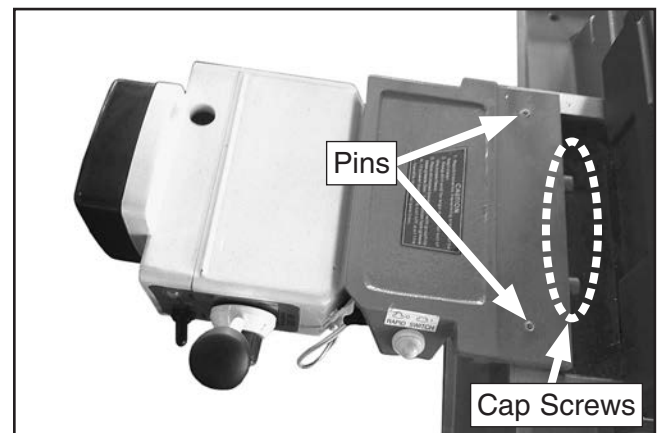
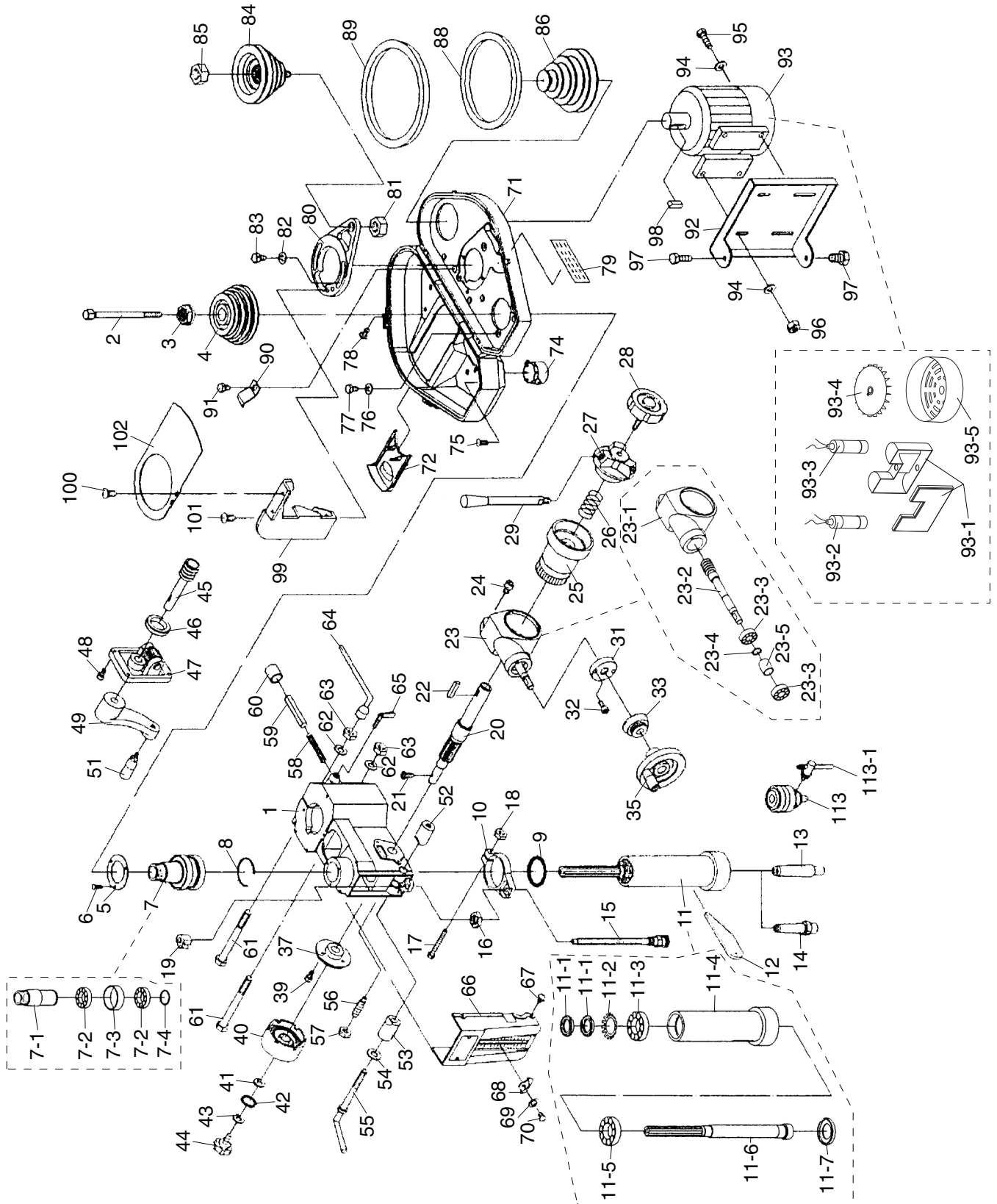


Figure 1. Power feed assembly attached to table.

3. Using a 6mm hex wrench, secure assembly with two M8-1.25 x 20 cap screws (see **Figure 1**).

SECTION 9: PARTS

Headstock Parts Breakdown



Headstock Parts List

REF	PART #	DESCRIPTION
1	P0705001	HEAD CASTING
2	P0705002	DRAWBAR
3	P0705003	SPINDLE LOCK NUT
4	P0705004	SPINDLE PULLEY
5	P0705005	OUTER BEARING PLATE
6	PCAP04	CAP SCREW 1/4-20 x 1/2
7	P0705007	SPINDLE TAPER SLEEVE SET
7-1	P0705007-1	SPINDLE TAPER SLEEVE
7-2	P6009ZZ	BALL BEARING 6009ZZ
7-3	P0705007-3	SPACER 74MM
7-4	PR92M	EXT RETAINING RING 41MM
8	PR50M	INT RETAINING RING 80MM
9	P0705009	RUBBER FLANGE
10	P0705010	QUILL CLAMP
11	P0705011	QUILL ASSEMBLY
11-1	P0705011-1	SPANNER NUT
11-2	P0705011-2	TOOTHED SPINDLE WASHER
11-3	P30206	TAPERED ROLLER BEARING 30206
11-4	P0705011-4	SPINDLE SLEEVE MT#3
11-5	P30207	TAPERED ROLLER BEARING 30207
11-6	P0705011-6	SPINDLE SHAFT
11-7	P0705011-7	SPINDLE CUP
12	P0705012	DRIFT KEY
13	P0705013	CHUCK ARBOR R8-B16
14	P0705014	CUTTER ARBOR
15	P0705015	DEPTH STOP ASSEMBLY
16	P0705016	DEPTH STOP ADJUSTER
17	PCAP159M	CAP SCREW 1/4-20 x 2
18	PN05	HEX NUT 1/4-20
19	P0705019	DEPTH STOP BLOCK

REF	PART #	DESCRIPTION
20	P0705020	PINION SHAFT
21	PFH08	FLAT HD SCR 10-24 X 1/2
22	PK25M	KEY 7 X 7 X 20
23	P0705023	DOWNFEED ASSEMBLY
23-1	P0705023-1	CASE
23-2	P0705023-2	WORM SHAFT
23-3	P6202ZZ	BALL BEARING 6202ZZ
23-4	PR05M	EXT RETAINING RING 15MM
23-5	P0705023-5	SPACER 34MM
24	PCAP07	CAP SCREW 5/16-18 X 3/4
25	P0705025	SLEEVE ASSEMBLY
26	P0705026	COMPRESSION SPRING
27	P0705027	LEVER BASE
28	P0705028	FEED ADJUST KNOB M10-1.5 X 45
29	P0705029	LEVER
31	P0705031	WORM SHAFT COVER
32	PCAP02	CAP SCREW 10-24 X 3/8
33	P0705033	MICRO ADJUST INDICATOR SET
35	P0705035	HANDWHEEL ASSEMBLY
37	P0705037	TORSION SPRING BASE
39	PCAP33	CAP SCREW 10-24 X 3/4
40	P0705040	TORSION SPRING W/COVER
41	PLW02	LOCK WASHER 1/4
42	PW06	FLAT WASHER 1/4
43	PLW02	LOCK WASHER 1/4
44	P0705044	KNOB BOLT M8-1.25 X 12
45	P0705045	WORM SHAFT
46	P0705046	WORM SHAFT BUSHING
47	P0705047	ELEVATION ASSEMBLY



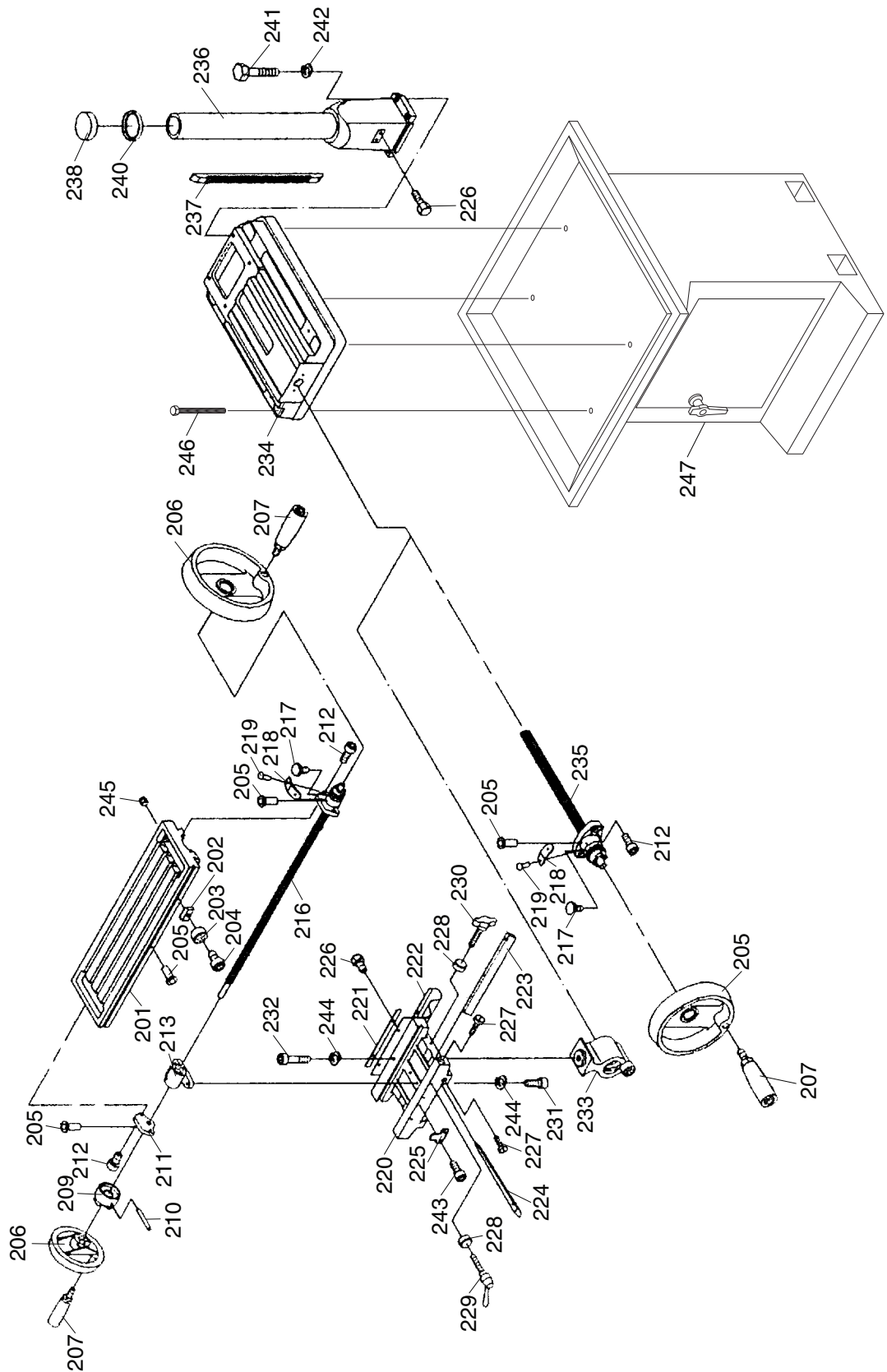
Headstock Parts List (continued)

REF	PART #	DESCRIPTION
48	PCAP05	CAP SCREW 1/4-20 X 3/4
49	P0705049	ELEVATION CRANK
51	P0705051	CLAMP HANDLE
52	P0705052	OUTER QUILL CLAMP
53	P0705053	INNER QUILL CLAMP
54	P0705054	QUILL CLAMP SPACER
55	P0705055	QUILL CLAMP HANDLE
56	P0705056	SCREW KEY
57	PN08	HEX NUT 3/8-16
58	P0705058	COMPRESSION SPRING
59	P0705059	BELT TENSION PIN
60	P0705060	RUBBER PAD
61	PB46	HEX BOLT 5/8-11 X 6
62	PW14	FLAT WASHER 5/8
63	PN04	HEX NUT 5/8-11
64	P0705064	HEADSTOCK WRENCH
65	P0705065	LOCK HANDLE M8-1.25 X 25
66	P0705066	FRONT COVER PLATE ASSEMBLY
67	PCAP04	CAP SCREW 1/4-20 X 1/2
68	P0705068	LIMIT PLATE
69	PW18	FLAT WASHER #5
70	PS50	PHLP HD SCR 5-40 X 1/4
71	P0705071	BELT COVER
72	P0705072	LOWER BELT PLATE
74	P0705074	SPINDLE COVER
75	PCAP158M	CAP SCREW M3-.5 X 16
76	PW07	FLAT WASHER 5/16
77	PB32	HEX BOLT 5/16-18 X 5/8
78	PCAP04	CAP SCREW 1/4-20 X 1/2
79	P0705079	SPEED CHART

REF	PART #	DESCRIPTION
80	P0705080	PULLEY IDLER PLATE
81	PN04	HEX NUT 5/8-11
82	PW07	FLAT WASHER 5/16
83	PCAP08	CAP SCREW 5/16-18 X 1-1/2
84	P0705084	IDLER PULLEY
85	PN04	HEX NUT 5/8-11
86	P0705086	MOTOR PULLEY SET
88	PVA33	V-BELT A33
89	PVA39	V-BELT A39
90	P0705090	WIRE CLIP
91	PCAP09	CAP SCREW 5/16-18 X 5/8
92	P0705092	MOTOR MOUNT PLATE
93	P0705093	MOTOR 2HP 110/220V 1-PH
93-1	P0705093-1	MOTOR JUNCTION BOX
93-2	PC150D	S CAPACITOR 150M 250V 1-5/8 X 3-1/4
93-3	PC20B	R CAPACITOR 20M 450V 1-5/8 X 3-1/4
93-4	P0705093-4	MOTOR FAN
93-5	P0705093-5	MOTOR FAN COVER
94	PW07	FLAT WASHER 5/16
95	PB03	HEX BOLT 5/16-18 X 1
96	PN02	HEX NUT 5/16-18
97	PB36	HEX BOLT 7/16-14 X 3/4
98	PK109M	KEY 7 X 7 X 35
99	P0705099	GUARD BRACKET
100	PCAP03M	CAP SCREW M5-.8 X 8
101	PCAP26M	CAP SCREW M6-1 X 12
102	P0705102	PROTECTIVE PLATE
113	P0705113	CHUCK B16 1-13MM
113-1	P0705113-1	CHUCK KEY



Base Parts Breakdown



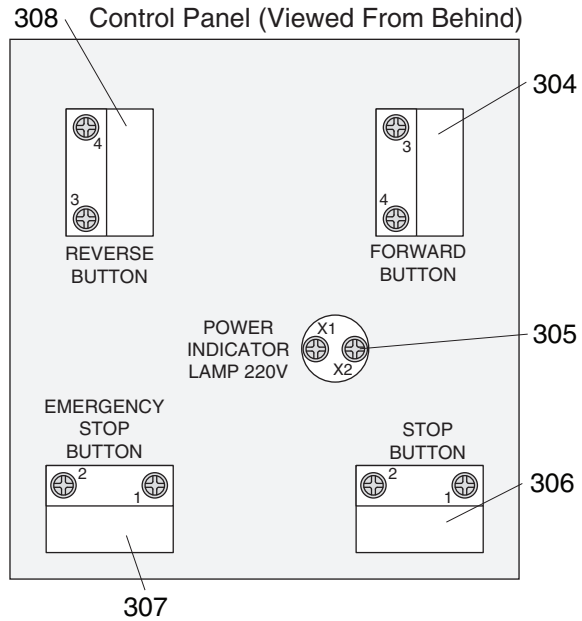
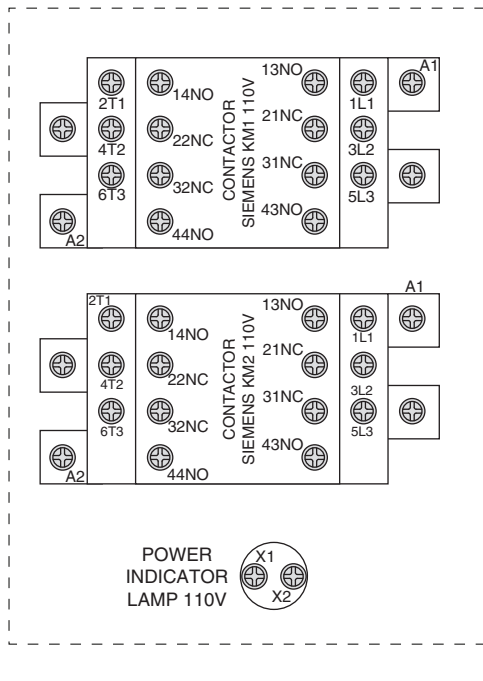
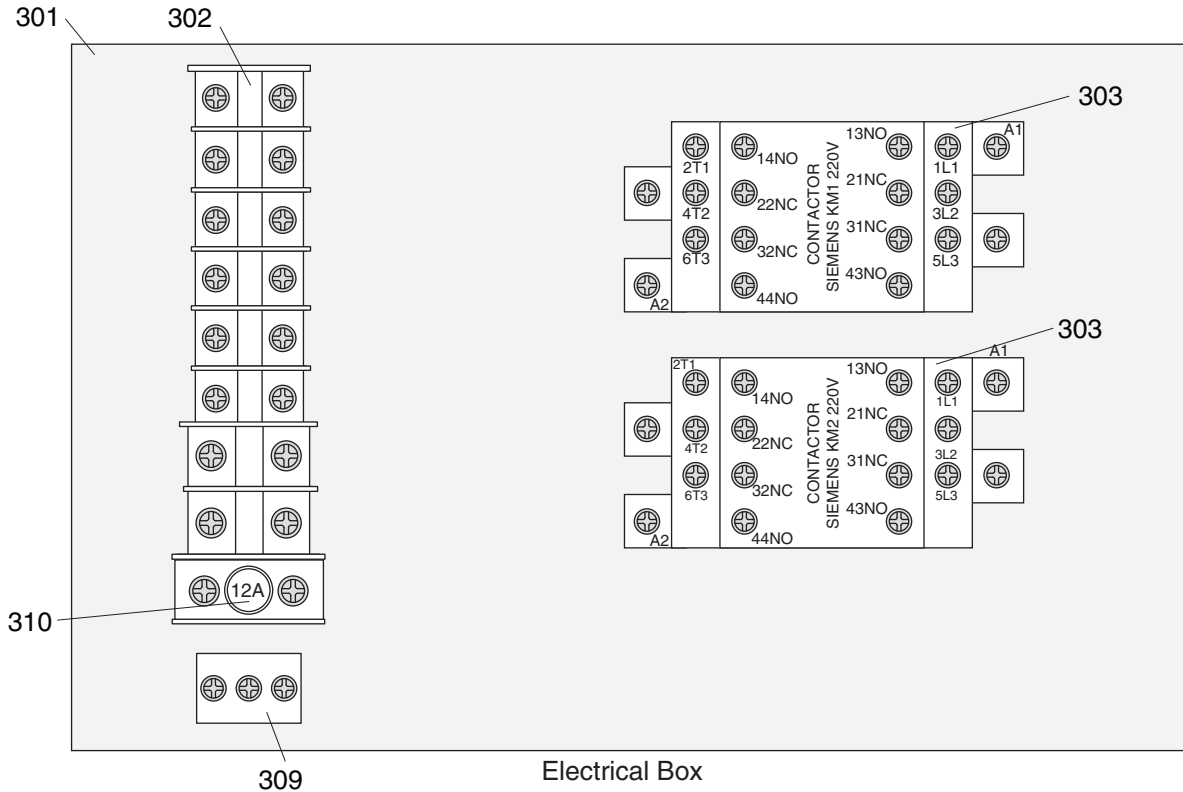
Base Parts List

REF	PART #	DESCRIPTION
201	P0705201	TABLE
202	P0705202	T-NUT 1/4-20
203	P0705203	TABLE STOP
204	PCAP04	CAP SCREW 1/4-20 X 1/2
205	PLUBE001	TAP-IN BALL OILER 8MM
206	P0705206	TABLE HANDWHEEL
207	P0705207	HANDLE
209	P0705209	HANDWHEEL COLLAR
210	P0705210	DOWEL PIN
211	P0705211	LEFT FLANGE
212	PCAP03	CAP SCREW 5/16-18 X 1
213	P0705213	LONGITUDINAL HALF NUT
216	P0705216	LONGITUDINAL LEADSCREW
217	P0705217	KNURLED THUMBSCREW M5-.8 X 12
218	P0705218	INDICATOR PLATE
219	P0705219	RIVET 2MM
220	P0705220	SADDLE
221	P0705221	DUST COVER PLATE
222	P0705222	DUST COVER
223	P0705223	LONGITUDINAL GIB
224	P0705224	CROSS GIB
225	P0705225	TABLE CENTER STOP

REF	PART #	DESCRIPTION
226	PB09	HEX BOLT 5/16-18 X 1/2
227	P0705227	GIB SCREW
228	P0705228	LOCK HANDLE SPACER
229	P0705229	LOCK HANDLE M8-1.25 X 32
230	P0705229	LOCK HANDLE M8-1.25 X 32
231	PCAP03	CAP SCREW 5/16-18 X 1
232	PCAP107	CAP SCREW 5/16-18 X 2-1/4
233	P0705233	CROSS HALF NUT
234	P0705234	BASE
235	P0705235	CROSS LEADSCREW ASSEMBLY
236	P0705236	COLUMN BASE
237	P0705237	ELEVATION RACK
238	P0705238	COLUMN CAP
240	P0705240	COLUMN RING
241	PB64	HEX BOLT 5/8-11 X 2-1/2
242	PLW06	LOCK WASHER 5/8
243	PCAP07	CAP SCREW 5/16-18 X 3/4
244	PLW01	LOCK WASHER 5/16
245	P0705245	DRAIN PLUG
246	P0705246	HEX BOLT M10-1.5 X 140
247	P0705247	CABINET ASSEMBLY



Electrical Components Breakdown & List

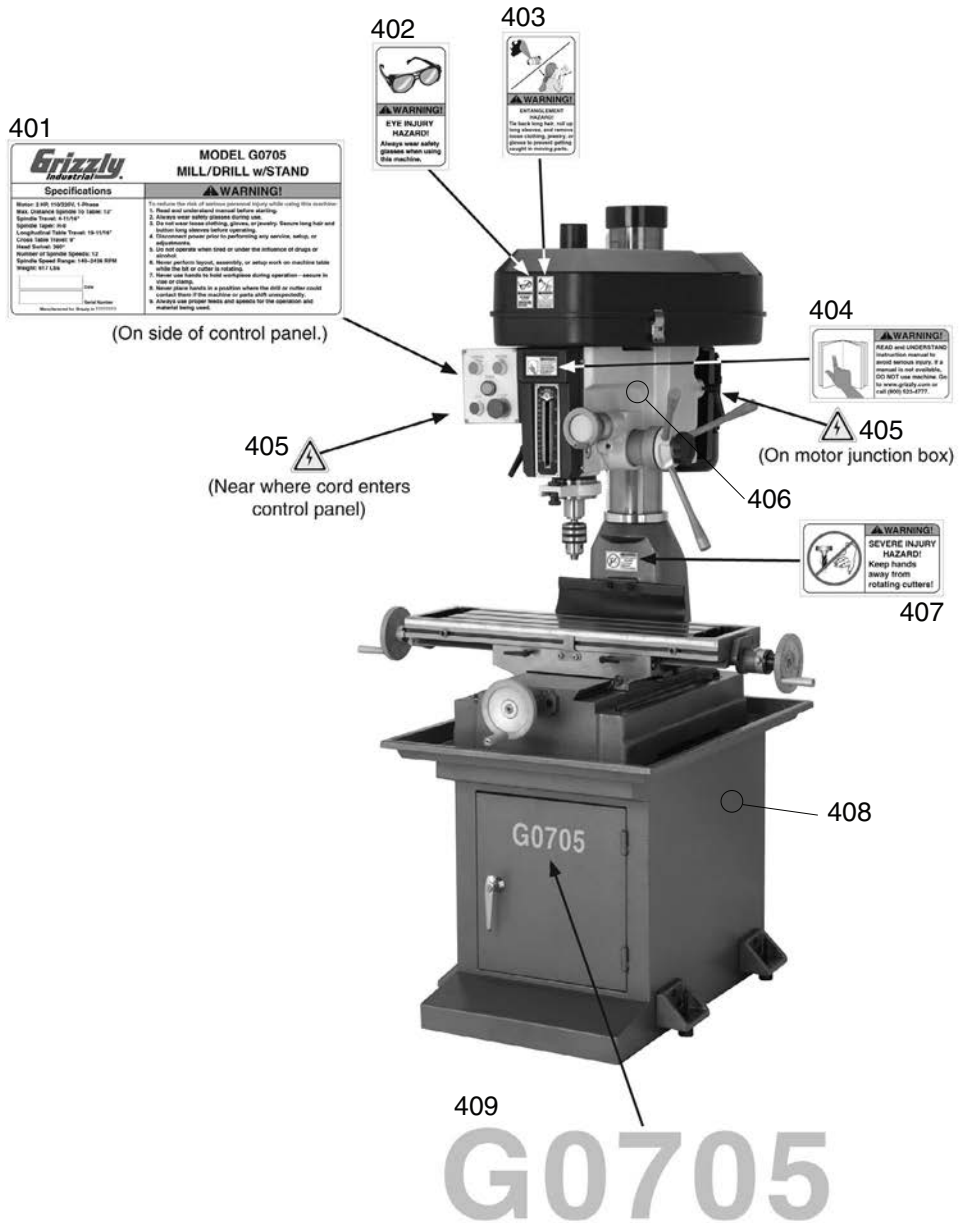


REF	PART #	DESCRIPTION
301	P0705301	ELECTRICAL BOX ASSEMBLY
302	P0705302	TERMINAL BLOCK ASSEMBLY
303	P0705303	CONTACTOR SIEMENS 3TB41 220V
304	P0705304	FORWARD BUTTON
305	P0705305	POWER INDICATOR LAMP 220V
306	P0705306	STOP BUTTON

REF	PART #	DESCRIPTION
307	P0705307	EMERGENCY STOP BUTTON
308	P0705308	REVERSE BUTTON
309	P0705309	GROUNDING BLOCK
310	P0705310	FUSE 12A
311	P0705311	CONVERSION KIT 110V FOR G0705



Labels Breakdown and List



REF	PART #	DESCRIPTION
401	P0705401	MACHINE ID LABEL
402	PLABEL-11B	SAFETY GLASSES LABEL
403	PLABEL-55A	ENTANGLEMENT LABEL
404	PLABEL-12C	READ MANUAL LABEL
405	PLABEL-14A	ELECTRICITY LABEL

REF	PART #	DESCRIPTION
406	PPAINT-11	PUTTY TOUCH UP PAINT
407	P0705407	CUTTER WARNING LABEL
408	PPAINT-1	GREEN TOUCH UP PAINT
409	P0705409	MODEL NUMBER LABEL

! WARNING

Safety labels warn about machine hazards and ways to prevent injury. The owner of this machine **MUST** maintain the original location and readability of the labels on the machine. If any label is removed or becomes unreadable, **REPLACE** that label before using the machine again. Contact Grizzly at (800) 523-4777 or www.grizzly.com to order new labels.

