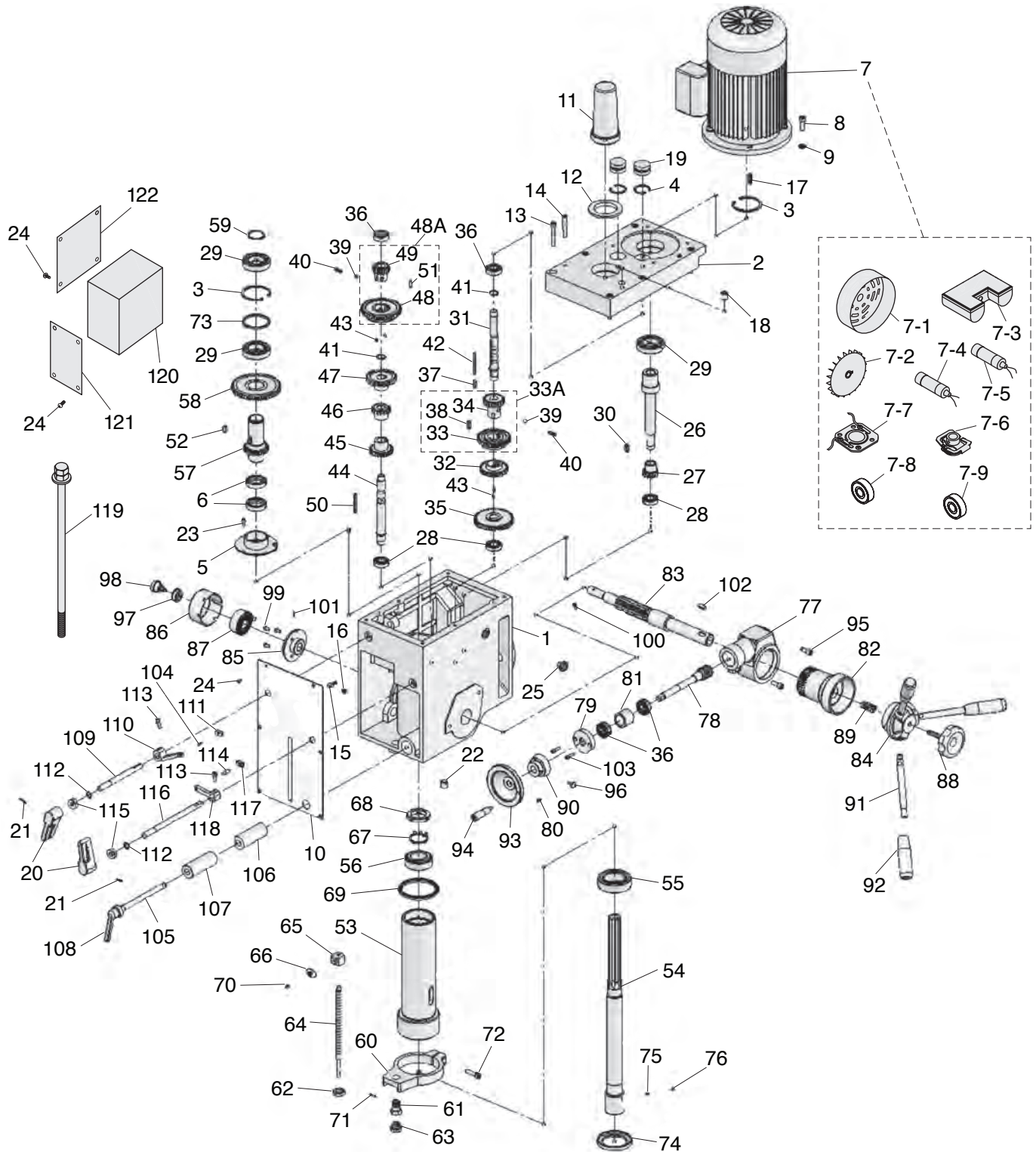


SECTION 9: PARTS

Headstock



Please Note: We do our best to stock replacement parts whenever possible, but we cannot guarantee that all parts shown here are available for purchase. Call (800) 523-4777 or visit our online parts store at www.grizzly.com to check for availability.



Headstock Parts List

REF	PART #	DESCRIPTION
1	P0761001	HEADSTOCK HOUSING
2	P0761002	HEADSTOCK TOP COVER
3	P0761003	INT RETAINING RING 62MM
4	P0761004	INT RETAINING RING 35MM
5	P0761005	FLANGED END CAP
6	P0761006	SHAFT SEAL 45 X 35 X 10
7	P0761007	MOTOR 2HP 220V 1-PH
7-1	P0761007-1	MOTOR FAN COVER
7-2	P0761007-2	MOTOR FAN
7-3	P0761007-3	MOTOR JUNCTION BOX
7-4	P0761007-4	S CAPACITOR 150M 250V 1-5/8 X 3
7-5	P0761007-5	R CAPACITOR 20M 450V 1-1/2 X 3-1/4
7-6	P0761007-6	CENTRIFUGAL SWITCH 25MM 1725 RPM
7-7	P0761007-7	CONTACT PLATE
7-8	P0761007-8	BALL BEARING 6205ZZ
7-9	P0761007-9	BALL BEARING 6205ZZ
8	P0761008	HEX BOLT M8-1.25 X 25
9	P0761009	FLAT WASHER 8MM
10	P0761010	HEADSTOCK FRONT COVER
11	P0761011	DRAWBAR CAP
12	P0761012	DRAWBAR CAP RUBBER SEAL
13	P0761013	CAP SCREW M8-1.25 X 45
14	P0761014	TAPER PIN 8 X 40
15	P0761015	CAP SCREW M10-1.5 X 8
16	P0761016	SET SCREW M10-1.5 X 10 DOG-PT
17	P0761017	KEY 6 X 6 X 28
18	P0761018	OIL FILL PLUG 3/8" ZG
19	P0761019	CASTING PLUG
20	P0761020	SHIFT LEVER
21	P0761021	ROLL PIN 3 X 18
22	P0761022	OIL DRAIN PLUG 3/8" ZG
23	P0761023	PHLP HD SCR M5-.8 X 10
24	P0761024	BUTTON HD CAP SCR M4-.7 X 8
25	P0761025	OIL SIGHT GLASS M18-1.5
26	P0761026	DRIVE SHAFT
27	P0761027	GEAR 14T
28	P0761028	BALL BEARING 6003ZZ
29	P0761029	BALL BEARING 6007ZZ
30	P0761030	KEY 5 X 5 X 25
31	P0761031	IDLER SHAFT
32	P0761032	GEAR 29T
33A	P0761033A	MATCHED GEAR SET 35T/21T (3 PCS)
33	P0761033	GEAR 35T
34	P0761034	GEAR 21T
35	P0761035	GEAR 41T
36	P0761036	BALL BEARING 6202-OPEN P5
37	P0761037	KEY 6 X 6 X 14
38	P0761038	KEY 6 X 6 X 28
39	P0761039	STEEL BALL 8MM
40	P0761040	COMPRESSION SPRING
41	P0761041	EXT RETAINING RING 18MM
42	P0761042	KEY 5 X 5 X 50
43	P0761043	SET SCREW M6-1 X 12
44	P0761044	SPINDLE SHAFT

REF	PART #	DESCRIPTION
45	P0761045	GEAR 25T
46	P0761046	GEAR 18T
47	P0761047	GEAR 32T
48A	P0761048A	MATCHED GEAR SET 43T/16T (3 PCS)
48	P0761048	GEAR 43T
49	P0761049	GEAR 16T
50	P0761050	KEY 5 X 5 X 50
51	P0761051	KEY 6 X 6 X 18
52	P0761052	KEY 6 X 6 X 18
53	P0761053	QUILL
54	P0761054	SPINDLE R-8
55	P0761055	TAPERED ROLLER BEARING 30207 P5
56	P0761056	TAPERED ROLLER BEARING 30206 P5
57	P0761057	GEAR SHAFT 25T
58	P0761058	GEAR 53T
59	P0761059	EXT RETAINING RING 35MM
60	P0761060	DEPTH ROD MOUNT
61	P0761061	INT THREADED SHOULDER BOLT M16-2 X 10
62	P0761062	HEX NUT M16-2 THIN
63	P0761063	DEPTH ROD KNURLED THUMB KNOB M16-2
64	P0761064	STUD-FT M12-1.75 X 230
65	P0761065	DEPTH ROD DOG
66	P0761066	DEPTH POINTER
67	P0761067	SPANNER NUT LOCK WASHER 30MM
68	P0761068	SPANNER NUT M30-1.5
69	P0761069	RUBBER SEAL 90 X 75 X 6
70	P0761070	CAP SCREW M4-.7 X 8
71	P0761071	ROLL PIN 3 X 18
72	P0761072	CAP SCREW M8-1.25 X 30
73	P0761073	SPACER
74	P0761074	SPINDLE END SEAL
75	P0761075	SET SCREW M5-.8 X 6 DOG-PT
76	P0761076	SET SCREW M5-.8 X 4
77	P0761077	WORM GEAR HOUSING
78	P0761078	WORM SHAFT
79	P0761079	WORM SHAFT END BRACKET
80	P0761080	SET SCREW M6-1 X 12
81	P0761081	SPACER
82	P0761082	WORM GEAR
83	P0761083	PINION SHAFT
84	P0761084	LEVER HUB
85	P0761085	SPRING BASE
86	P0761086	SPRING COVER
87	P0761087	COILED SPRING
88	P0761088	KNOB BOLT M10-1.5 X 45
89	P0761089	COMPRESSION SPRING
90	P0761090	FINE DOWNFEED GRADUATED DIAL
91	P0761091	SHOULDER STUD-UDE M12-1.75 X 145 15,20
92	P0761092	TAPERED KNOB M12-1.75
93	P0761093	FINE DOWNFEED HANDWHEEL
94	P0761094	HANDWHEEL HANDLE
95	P0761095	CAP SCREW M8-1.25 X 25
96	P0761096	KNURLED THUMB SCREW M5-.8 X 12
97	P0761097	SPRING COVER FLAT WASHER 6MM



Headstock Parts List

REF	PART #	DESCRIPTION
98	P0761098	KNURLED THUMB SCREW M6-1 X 12
99	P0761099	CAP SCREW M6-1 X 12
100	P0761100	SET SCREW M5-.8 X 12
101	P0761101	ROLL PIN 3 X 12
102	P0761102	KEY 8 X 8 X 20
103	P0761103	CAP SCREW M5-.8 X 20
104	P0761104	ROLL PIN 3 X 15
105	P0761105	LOCK LEVER SHAFT
106	P0761106	INNER LOCK PLUNGER
107	P0761107	OUTER LOCK PLUNGER
108	P0761108	ADJUSTABLE HANDLE
109	P0761109	SPEED SHIFT SHAFT (LH)
110	P0761110	SPEED SHIFT ROCKER ARM (LH)

REF	PART #	DESCRIPTION
111	P0761111	SPEED SHIFT FORK (LH)
112	P0761112	EXT RETAINING RING 12MM
113	P0761113	CAP SCREW M6-1 X 16
114	P0761114	SHIFT ROD
115	P0761115	SHAFT SEAL 12 X 22 X 8
116	P0761116	SPEED SHIFT SHAFT (RH)
117	P0761117	SPEED SHIFT FORK (RH)
118	P0761118	SPEED SHIFT ROCKER ARM (RH)
119	P0761119	DRAWBAR ASSEMBLY 7/16-20 X 17-3/4
120	P0761120	ELECTRICAL CABINET
121	P0761121	ELECTRICAL CABINET FRONT COVER
122	P0761122	ELECTRICAL CABINET SIDE COVER



Table & Column

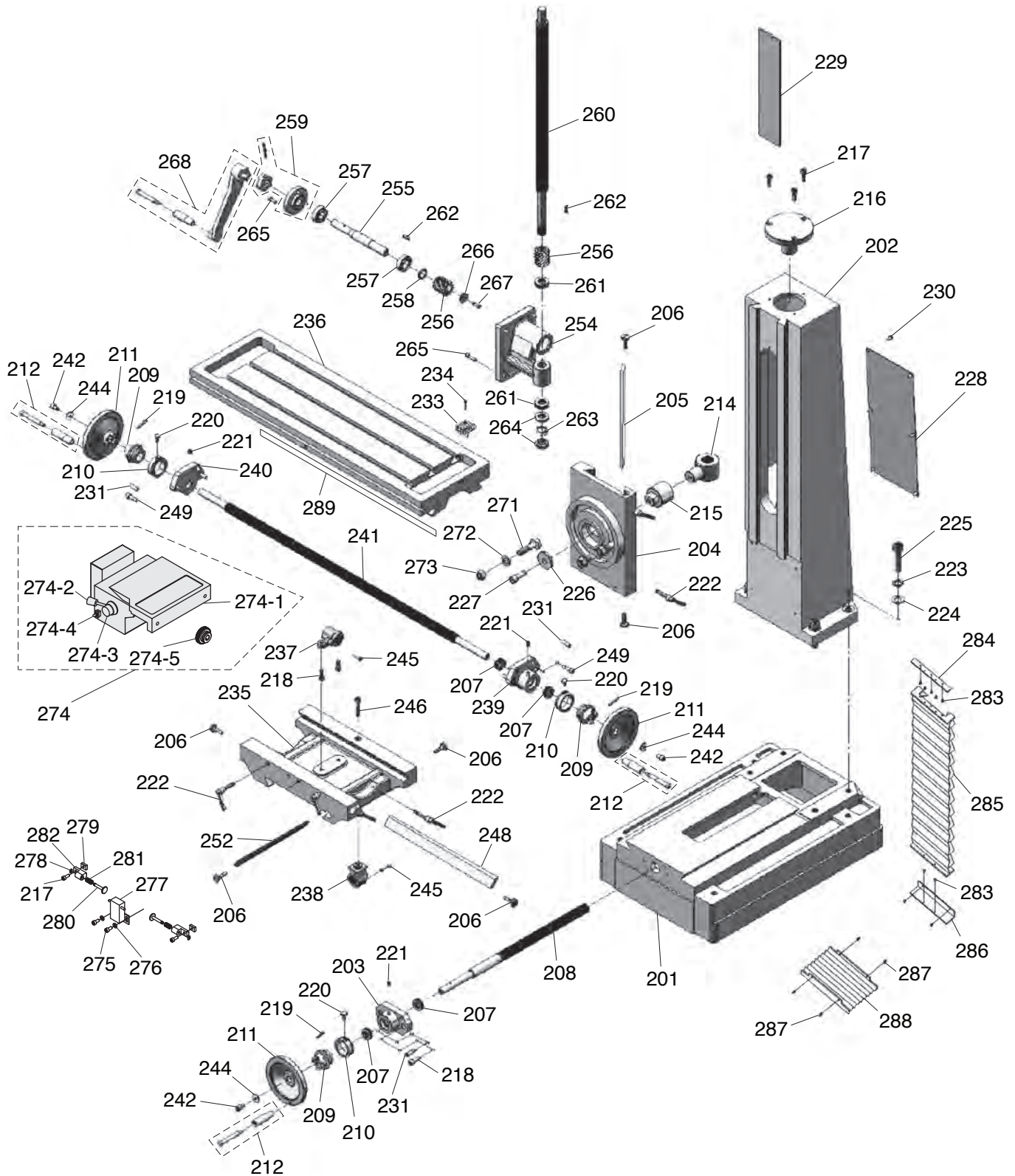


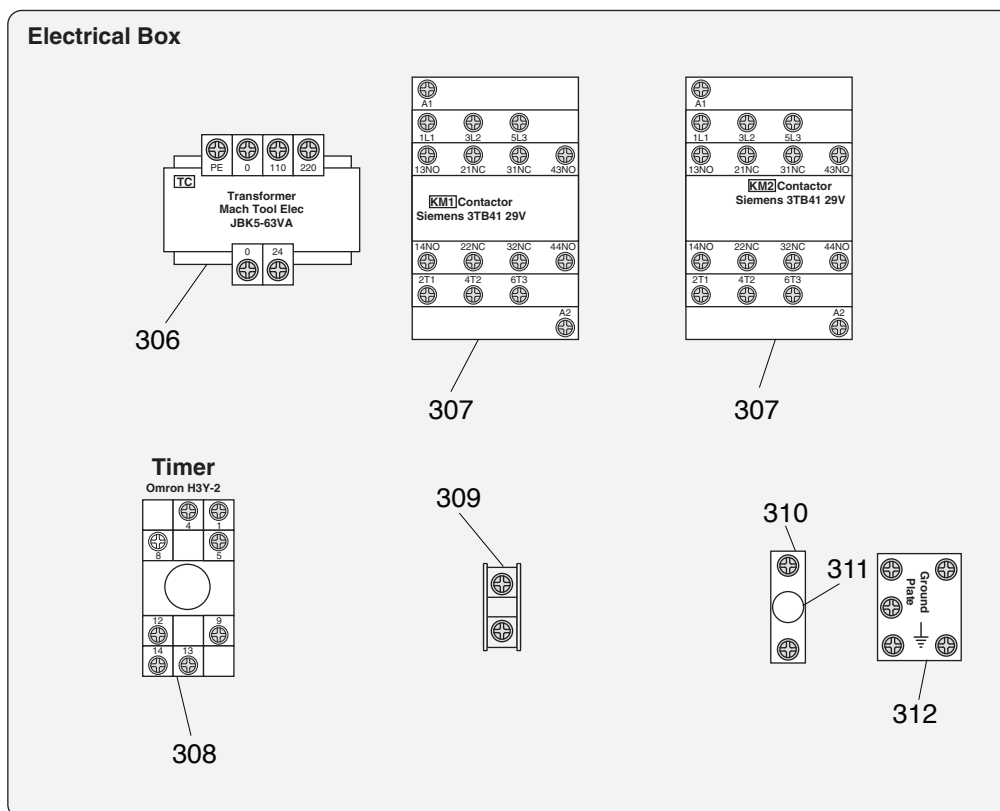
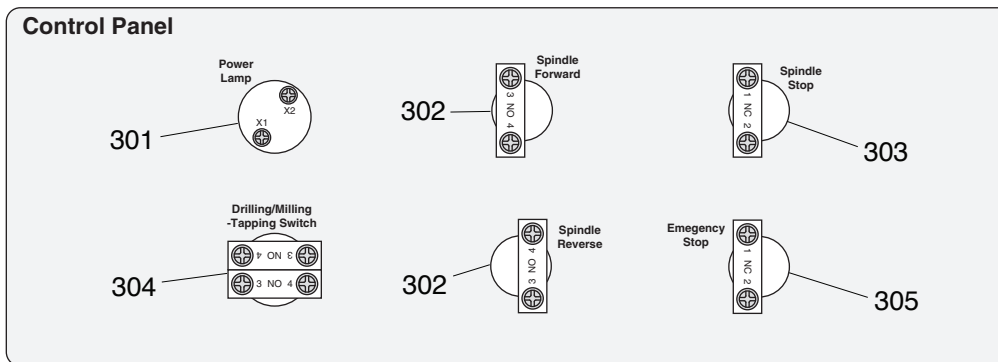
Table & Column Parts List

REF	PART #	DESCRIPTION
201	P0761201	BASE
202	P0761202	COLUMN
203	P0761203	Y-AXIS LEADSCREW BRACKET
204	P0761204	HEADSTOCK MOUNT
205	P0761205	Z-AXIS GIB
206	P0761206	GIB ADJUSTMENT SCREW
207	P0761207	THRUST BEARING 51103
208	P0761208	Y-AXIS LEADSCREW
209	P0761209	DIAL CLUTCH
210	P0761210	GRADUATED DIAL
211	P0761211	HANDWHEEL
212	P0761212	HANDWHEEL HANDLE W/SCREW
214	P0761214	Z-AXIS LEADSCREW NUT
215	P0761215	Z-AXIS LEADSCREW NUT BRACKET
216	P0761216	COLUMN TOP COVER
217	P0761217	CAP SCREW M8-1.25 X 20
218	P0761218	CAP SCREW M8-1.25 X 25
219	P0761219	ROLL PIN 5 X 35
220	P0761220	KNURLED THUMB SCREW M5-.8 X 12
221	P0761221	BALL OILER 8MM TAP-IN
222	P0761222	ADJUSTMENT HANDLE M8-1.25
223	P0761223	LOCK WASHER 16MM
224	P0761224	FLAT WASHER 16MM
225	P0761225	CAP SCREW M16-2 X 60
226	P0761226	HEADSTOCK MOUNT FLAT WASHER 12MM
227	P0761227	CAP SCREW M12-1.75 X 35
228	P0761228	COLUMN REAR COVER
229	P0761229	COLUMN FRONT COVER
230	P0761230	BUTTON HD CAP SCR M6-1 X 12
231	P0761231	ROLL PIN 8 X 30
233	P0761233	COOLANT DRAIN SCREEN
234	P0761234	PHLP HD SCR M3-.5 X 25
235	P0761235	SADDLE
236	P0761236	TABLE
237	P0761237	X-AXIS LEADSCREW NUT
238	P0761238	Y-AXIS LEADSCREW NUT
239	P0761239	X-AXIS LEADSCREW BRACKET (RH)
240	P0761240	X-AXIS LEADSCREW BRACKET (LH)
241	P0761241	X-AXIS LEADSCREW
242	P0761242	CAP SCREW M6-1 X 12
244	P0761244	HANDWHEEL STEP WASHER 6MM
245	P0761245	CAP SCREW M5-.8 X 20
246	P0761246	CAP SCREW M8-1.25 X 45

REF	PART #	DESCRIPTION
248	P0761248	X-AXIS GIB
249	P0761249	CAP SCREW M8-1.25 X 25
252	P0761252	Y-AXIS GIB
254	P0761254	Z-AXIS CRANK SHAFT BRACKET
255	P0761255	Z-AXIS CRANK SHAFT
256	P0761256	WORM GEAR
257	P0761257	BALL BEARING 6004ZZ
258	P0761258	SPACER
259	P0761259	CRANK SHAFT END FLANGE ASSY
260	P0761260	Z-AXIS LEADSCREW
261	P0761261	THRUST BEARING 51104
262	P0761262	KEY 6 X 6 X 20
263	P0761263	SPANNER NUT LOCK WASHER 20MM
264	P0761264	SPANNER NUT M20-1.5
265	P0761265	CAP SCREW M6-1 X 20
266	P0761266	WORM GEAR FLAT WASHER 8MM
267	P0761267	CAP SCREW M8-1.25 X 16
268	P0761268	Z-AXIS CRANK HANDLE ASSY
271	P0761271	T-BOLT M14-2 X 55
272	P0761272	FLAT WASHER 14MM
273	P0761273	HEX NUT M14-2
274	P0761274	POWER FEED ASSY ALIGN AS-235
274-1	P0761274-1	MOUNTING BRACKET 2-PC
274-2	P0761274-2	CONTROL HANDLE
274-3	P0761274-3	SPEED CONTROL KNOB
274-4	P0761274-4	ON/OFF SWITCH
274-5	P0761274-5	ZYTEL GEAR ASSEMBLY
275	P0761275	CAP SCREW M8-1.25 X 6
276	P0761276	FLAT WASHER 8MM
277	P0761277	POWER FEED LIMIT SWITCH
278	P0761278	EXT RETAINING RING 8MM
279	P0761279	SQUARE NUT M8-1.25
280	P0761280	POWER FEED LIMIT STOP
281	P0761281	COMPRESSION SPRING
282	P0761282	LIMIT STOP HOUSING
283	P0761283	PHLP HD SCR M4-.7 X 6
284	P0761284	Z-AXIS WAY COVER UPPER PLATE
285	P0761285	Z-AXIS WAY COVER
286	P0761286	Z-AXIS WAY COVER LOWER BRACKET
287	P0761287	PHLP HD SCR M5-.8 X 12
288	P0761288	Y-AXIS WAY COVER
289	P0761289	TABLE SCALE



Electrical

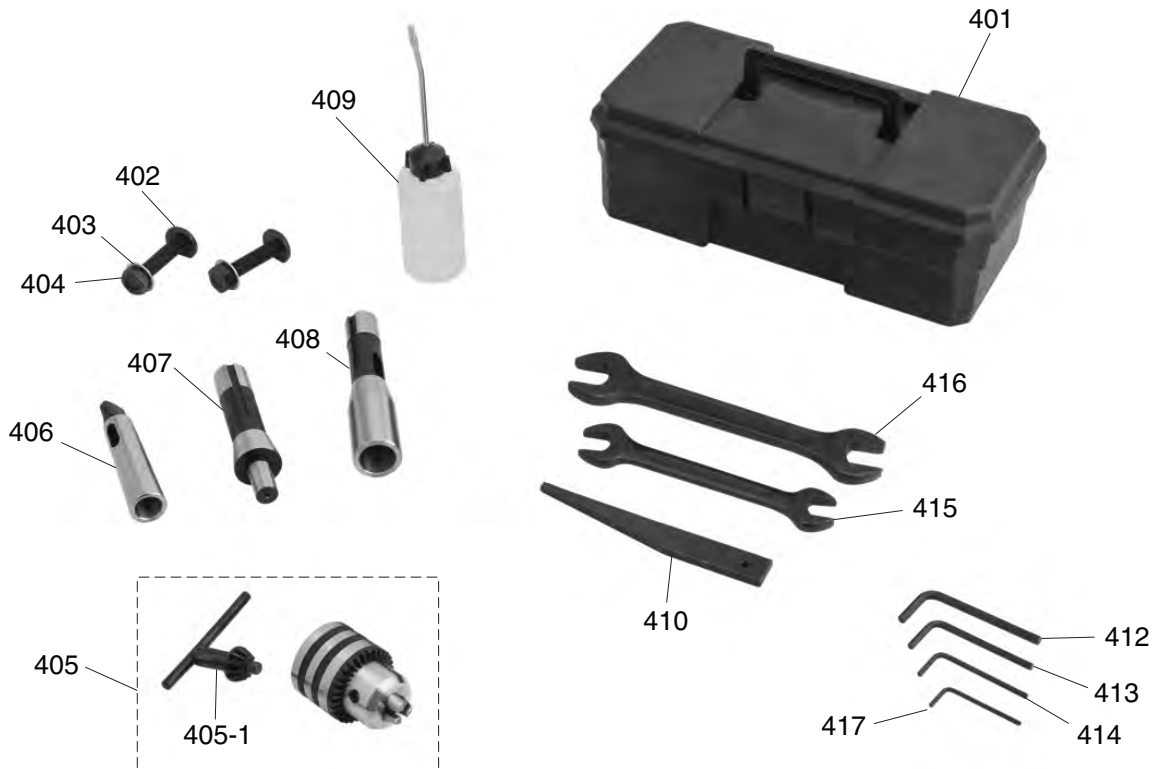


REF PART #	DESCRIPTION
301	P0761301 LAMP BUTTON MINGER AD62-22D/S 22MM
302	P0761302 START BUTTON MINGER LA125H-BE101C 22MM
303	P0761303 STOP BUTTON MINGER LA125H-BE102C 22MM
304	P0761304 TAP SWITCH MINGER LA125H-BE101C 22MM
305	P0761305 E-STOP MINGER LA125H-BE 102C 22MM
306	P0761306 TRANSFORMER MTE JBK5-63VA 0-220V
307	P0761307 CONTACTOR SIEMENS 3TB41 24V

REF PART #	DESCRIPTION
308	P0761308 TIMER OMRON H3Y-2
309	P0761309 TERMINAL BAR 1P
310	P0761310 FUSE HOLDER
311	P0761311 FUSE 2A 250V CERAMIC
312	P0761312 GROUND PLATE
313	P0761313 TAPPING SWITCH JUCHE LXW16-16/51C
314	P0761314 ELECTRICAL BOX MOUNTING BOARD



Accessories

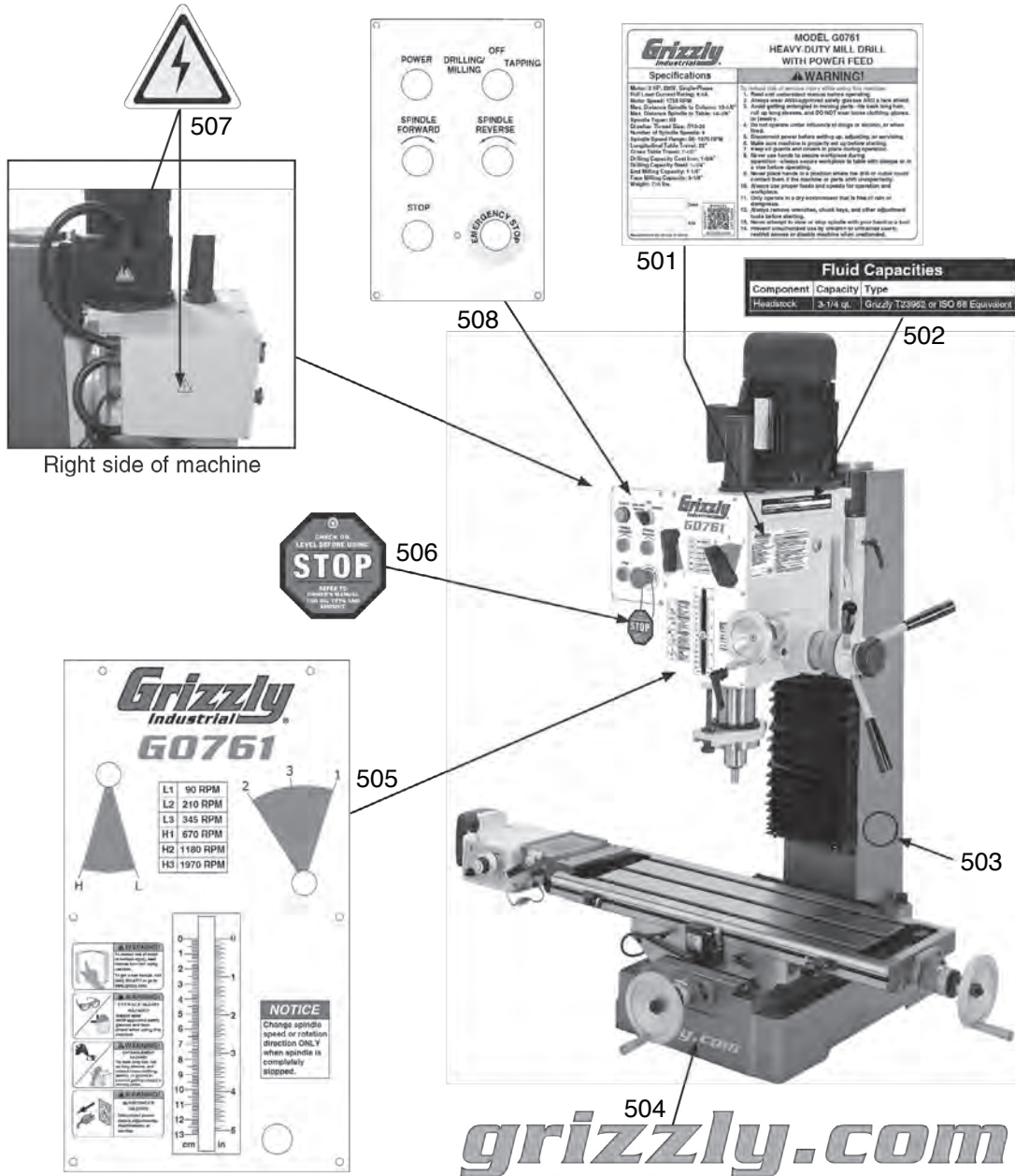


REF	PART #	DESCRIPTION
401	P0761401	TOOLBOX, PLASTIC
402	P0761402	T-BOLT M12-1.75 X 55
403	P0761403	FLAT WASHER 12MM
404	P0761404	HEX NUT M12-1.75
405	P0761405	DRILL CHUCK B16 1-13MM W/CHUCK KEY
405-1	P0761405-1	DRILL CHUCK KEY 8MM STD 11 SD-16MM
406	P0761406	SPINDLE SLEEVE MT#3-MT#2
407	P0761407	DRILL CHUCK ARBOR R8-B16
408	P0761408	SPINDLE SLEEVE R8-MT#3

REF	PART #	DESCRIPTION
409	P0761409	BOTTLE FOR OIL
410	P0761410	DRIFT KEY
412	P0761412	HEX WRENCH 5MM
413	P0761413	HEX WRENCH 4MM
414	P0761414	HEX WRENCH 3MM
415	P0761415	WRENCH 17 X 19MM OPEN-ENDS
416	P0761416	WRENCH 22 X 24MM OPEN-ENDS
417	P0761417	HEX WRENCH 2.5MM



Labels & Cosmetics



REF PART #	DESCRIPTION
501	P0761501 MACHINE ID LABEL
502	P0761502 FLUID CAPACITIES LABEL
503	P0761503 GRIZZLY GREEN TOUCH-UP PAINT
504	P0761504 GRIZZLY.COM LABEL

REF PART #	DESCRIPTION
505	P0761505 HEADSTOCK PANEL LABEL
506	P0761506 STOP/OIL WARNING LABEL
507	P0761507 ELECTRICITY LABEL
508	P0761508 CONTROL PANEL LABEL

⚠ WARNING

Safety labels help reduce the risk of serious injury caused by machine hazards. If any label comes off or becomes unreadable, the owner of this machine **MUST** replace it in the original location before resuming operations. For replacements, contact (800) 523-4777 or www.grizzly.com.

