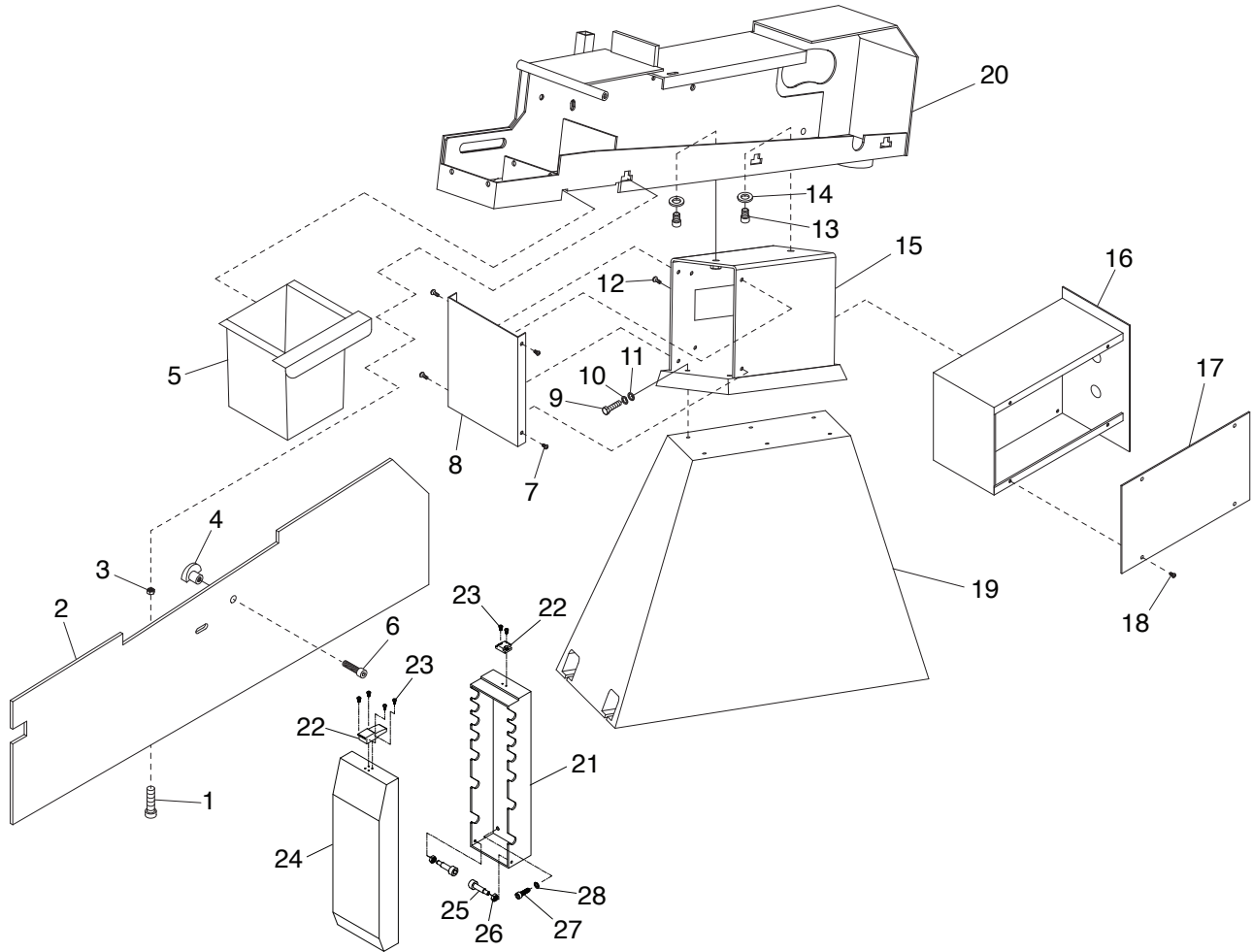


SECTION 9: PARTS

Body



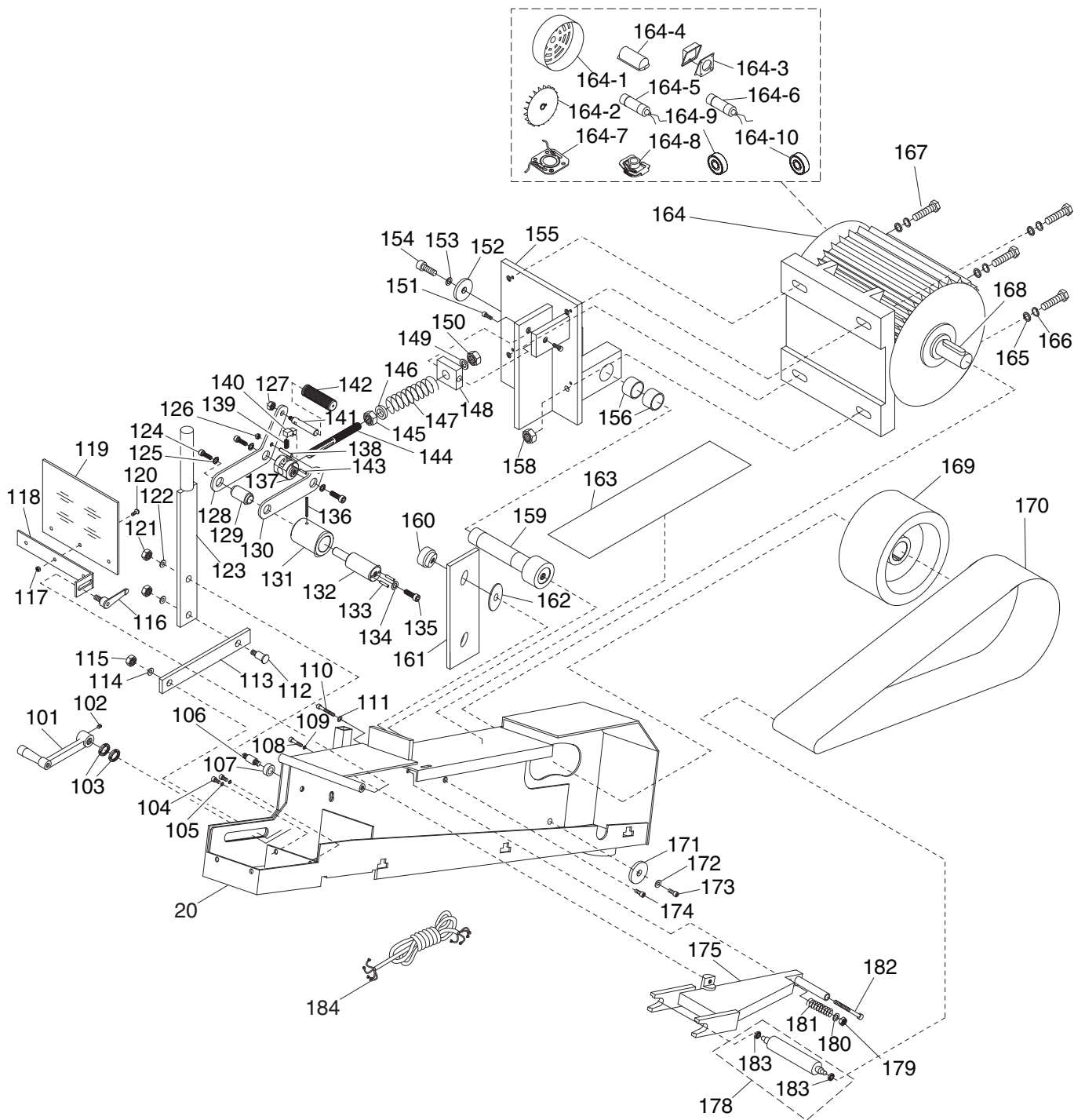
REF	PART #	DESCRIPTION
1	P0767001	CAP SCREW M5-.8 X 12
2	P0767002	BELT COVER, SIDE
3	P0767003	HEX NUT M5-.8
4	P0767004	BELT COVER LATCH
5	P0767005	SPARK TRAP
6	P0767006	CAP SCREW M8-1.25 X 12
7	P0767007	PHLP HD SCR M5-.8 X 8
8	P0767008	RISER FRONT PLATE
9	P0767009	HEX BOLT M8-1.25 X 20
10	P0767010	LOCK WASHER 8MM
11	P0767011	FLAT WASHER 8MM
12	P0767012	PHLP HD SCR M6-1 X 10
13	P0767013	CAP SCREW M12-1.75 X 35
14	P0767014	FLAT WASHER 12MM

REF	PART #	DESCRIPTION
15	P0767015	RISER
16	P0767016	ELECTRICAL CABINET
17	P0767017	ELECTRICAL MOUNTING BOARD
18	P0767018	PHLP HD SCR M4-.7 X 6
19	P0767019	BASE
20	P0767020	BODY
21	P0767021	PROFILE ROLLER STORAGE RACK
22	P0767022	COVER LATCH
23	P0767023	PHLP HD SCR M3-.5 X 5
24	P0767024	STORAGE RACK COVER
25	P0767025	SHOULDER M5-.8 X 8, 6 X 16MM
26	P0767026	HEX NUT M6-1
27	P0767027	CAP SCREW M8-1.25 X 20
28	P0767028	FLAT WASHER 8MM

Please Note: We do our best to stock replacement parts whenever possible, but we cannot guarantee that all parts shown here are available for purchase. Call (800) 523-4777 or visit our online parts store at www.grizzly.com to check for availability.



Main



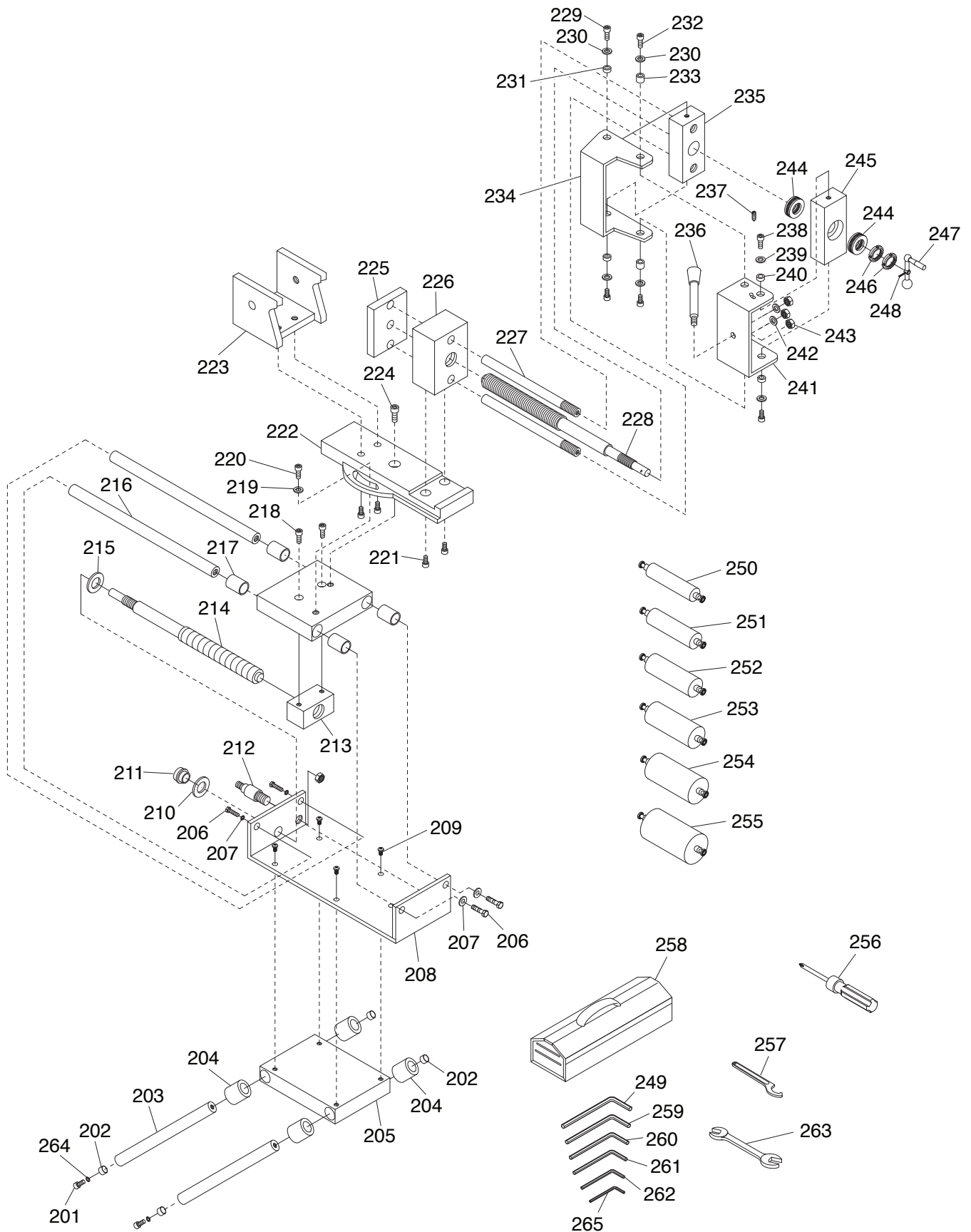
Main

REF	PART #	DESCRIPTION
20	P0767020	BODY
101	P0767101	CRANK 5"L W/HANDLE
102	P0767102	SET SCREW M6-1 X 8 CONE-PT
103	P0767103	SPANNER NUT M12-1.25
104	P0767104	CAP SCREW M8-1.25 X 25
105	P0767105	FLAT WASHER 8MM
106	P0767106	STUD-DE M8-1.25 X 37, 9
107	P0767107	SPACER
108	P0767108	CAP SCREW M12-1.75 X 35
109	P0767109	FLAT WASHER 12MM
110	P0767110	CAP SCREW M8-1.25 X 100
111	P0767111	FLAT WASHER 8MM
112	P0767112	STEP BOLT M8-1.25 X 12
113	P0767113	CONNECTING BAR
114	P0767114	FLAT WASHER 8MM
115	P0767115	HEX NUT M8-1.25
116	P0767116	ADJUSTABLE HANDLE M8-1.25 X 20
117	P0767117	HEX NUT M5-.8
118	P0767118	EYE SHIELD BRACKET
119	P0767119	EYE SHIELD PLASTIC
120	P0767120	PHLP HD SCR M5-.8 X 8
121	P0767121	HEX NUT M10-1.5
122	P0767122	FLAT WASHER 10MM
123	P0767123	LEVER W/GRIP
124	P0767124	CAP SCREW M8-1.25 X 14
125	P0767125	FENDER WASHER 8MM
126	P0767126	ACORN NUT M8-1.25
127	P0767127	ACORN NUT M10-1.5
128	P0767128	CONNECTING PLATE (LS)
129	P0767129	SUPPORT SLEEVE
130	P0767130	CONNECTING PLATE (RS)
131	P0767131	SPACER
132	P0767132	PIVOT SHAFT
133	P0767133	DOWEL PIN 6 X 16
134	P0767134	FENDER WASHER 12MM
135	P0767135	CAP SCREW M12-1.75 X 30
136	P0767136	ROLL PIN 6 X 50
137	P0767137	RATCHET SLEEVE
138	P0767138	BACKING PIN
139	P0767139	COMPRESSION SPRING 0.9 X 7 X 15
140	P0767140	PAWL
141	P0767141	HANDLE
142	P0767142	HANDLE GRIP
143	P0767143	DOWEL PIN 5 X 20
144	P0767144	RATCHET SHAFT
145	P0767145	HEX NUT M16-2

REF	PART #	DESCRIPTION
146	P0767146	SPRING RETAINER
147	P0767147	COMPRESSION SPRING 1.4 X 20 X 35
148	P0767148	SPRING BASE
149	P0767149	FLAT WASHER 16MM
150	P0767150	HEX NUT M16-2
151	P0767151	CAP SCREW M10-1.5 X 20
152	P0767152	FENDER WASHER 10MM
153	P0767153	FLAT WASHER 10MM
154	P0767154	CAP SCREW M10-1.5 X 20
155	P0767155	MOTOR MOUNT
156	P0767156	BUSHING, COPPER
158	P0767158	HEX NUT M10-1.5
159	P0767159	PIVOT SHAFT W/FLANGE
160	P0767160	LIFTING BAR RETAINER
161	P0767161	LIFTING BAR
162	P0767162	SPACER
163	P0767163	BELT COVER, TOP
164	P0767164	MOTOR 3HP 220V 1-PH
164-1	P0767164-1	MOTOR FAN COVER
164-2	P0767164-2	MOTOR FAN
164-3	P0767164-3	MOTOR JUNCTION BOX
164-4	P0767164-4	CAPACITOR COVER
164-5	P0767164-5	S CAPACITOR 250M 250V
164-6	P0767164-6	R CAPACITOR 30M 450V
164-7	P0767164-7	CONTACT PLATE
164-8	P0767164-8	CENTRIFUGAL SWITCH
164-9	P0767164-9	BALL BEARING 6205ZZ
164-10	P0767164-10	BALL BEARING 6205ZZ
165	P0767165	FLAT WASHER 10MM
166	P0767166	LOCK WASHER 10MM
167	P0767167	HEX BOLT M10-1.5 X 40
168	P0767168	KEY 8 X 8 X 40
169	P0767169	DRIVE PULLEY
170	P0767170	SANDING BELT 4" X 79" 80-GRIT
171	P0767171	FENDER WASHER 12MM
172	P0767172	LOCK WASHER 12MM
173	P0767173	CAP SCREW M12-1.75 X 50
174	P0767174	CAP SCREW M12-1.75 X 30
175	P0767175	CONTACT ROLLER BRACKET
178	P0767178	CONTACT ROLLER 1" DIA W/BEARINGS
179	P0767179	HEX NUT M8-1.25
180	P0767180	FLAT WASHER 8MM
181	P0767181	COMPRESSION SPRING 1 X 12 X 19
182	P0767182	CAP SCREW M8-1.25 X 100
183	P0767183	BALL BEARING 6002-RZ
184	P0767184	POWER CORD 12G 3W 72"



Pipe Vise Assembly & Accessories



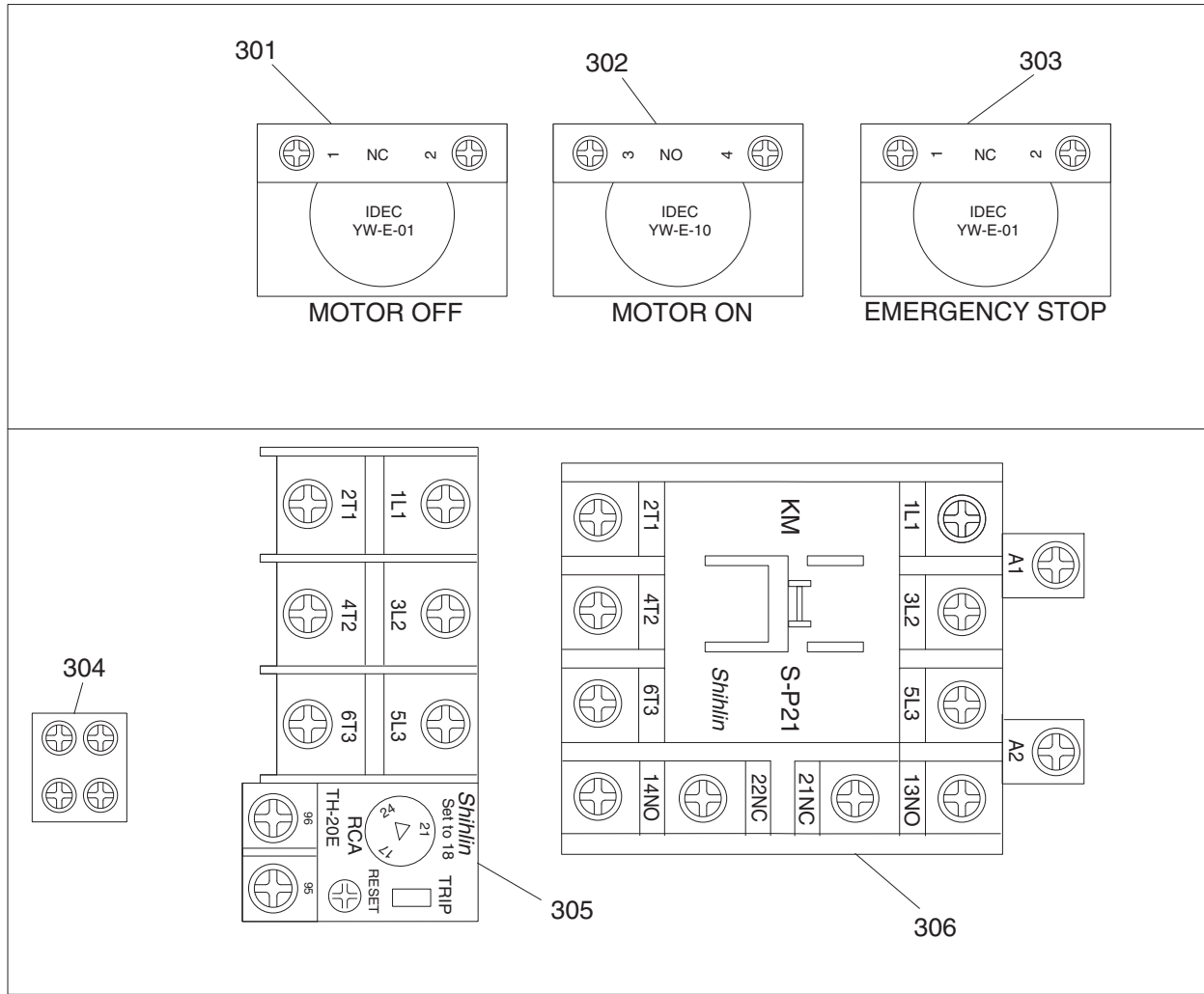
Pipe Vise Assembly & Accessories

REF PART #	DESCRIPTION
201	P0767201 CAP SCREW M8-1.25 X 20
202	P0767202 BUSHING
203	P0767203 Y-AXIS SLIDE ROD
204	P0767204 BUSHING, COPPER
205	P0767205 SLIDE BAR BRACKET
206	P0767206 HEX BOLT M8-1.25 X 20
207	P0767207 FLAT WASHER 8MM
208	P0767208 PIPE CLAMP BASE
209	P0767209 PHLP HD SCR M6-1 X 12
210	P0767210 FLAT WASHER 14MM
211	P0767211 LEADSCREW END CAP
212	P0767212 SLIDER SHAFT
213	P0767213 LONGITUDINAL LEADSCREW NUT
214	P0767214 LONGITUDINAL LEADSCREW
215	P0767215 FLAT WASHER 14MM
216	P0767216 X-AXIS SLIDE ROD
217	P0767217 GUIDE BAR BUSHING, COPPER
218	P0767218 CAP SCREW M8-1.25 X 40
219	P0767219 FLAT WASHER 8MM
220	P0767220 CAP SCREW M8-1.25 X 20
221	P0767221 CAP SCREW M8-1.25 X 30
222	P0767222 ROTARY TABLE
223	P0767223 PIPE JAW
224	P0767224 CAP SCREW M10-1.5 X 30
225	P0767225 PIPE CLAMP PLATE
226	P0767226 PIPE CLAMP LEADSCREW NUT
227	P0767227 INT/EXT THREADED ROD
228	P0767228 PIPE CLAMP LEADSCREW
229	P0767229 CAP SCREW M6-1 X 16
230	P0767230 FLAT WASHER 6MM
231	P0767231 BUSHING
232	P0767232 CAP SCREW M6-1 X 20
233	P0767233 BUSHING

REF PART #	DESCRIPTION
234	P0767234 PRESSURE BRACKET (LS)
235	P0767235 MOVABLE BLOCK
236	P0767236 LEVER M8-1.25 X 20 W/KNOB
237	P0767237 SET SCREW M3-.5 X 10 CONE-PT
238	P0767238 CAP SCREW M6-1 X 16
239	P0767239 FLAT WASHER 6MM
240	P0767240 BUSHING
241	P0767241 PRESSURE BRACKET (RS)
242	P0767242 FLAT WASHER 6MM
243	P0767243 HEX NUT M8-1.25
244	P0767244 THRUST BEARING 51101
245	P0767245 STATIONARY BLOCK
246	P0767246 SPANNER NUT M12-1.25
247	P0767247 CRANK 4"L W/HANDLE
248	P0767248 ROLL PIN 3 X 22
249	P0767249 HEX WRENCH 8MM
250	P0767250 CONTACT ROLLER 3/4" DIA W/BEARINGS
251	P0767251 CONTACT ROLLER 1-1/4" DIA W/BEARINGS
252	P0767252 CONTACT ROLLER 1-1/2" DIA W/BEARINGS
253	P0767253 CONTACT ROLLER 2" DIA W/BEARINGS
254	P0767254 CONTACT ROLLER 2-1/5" DIA W/BEARINGS
255	P0767255 CONTACT ROLLER 3" DIA W/BEARINGS
256	P0767256 SCREWDRIVER PHILLIPS #2
257	P0767257 SPANNER WRENCH 22-26MM
258	P0767258 TOOLBOX
259	P0767259 HEX WRENCH 6MM
260	P0767260 HEX WRENCH 5MM
261	P0767261 HEX WRENCH 4MM
262	P0767262 HEX WRENCH 3MM
263	P0767263 WRENCH 13 X 16MM OPEN-ENDS
264	P0767264 FLAT WASHER 8MM
265	P0767265 HEX WRENCH 2.5MM



Electrical Box

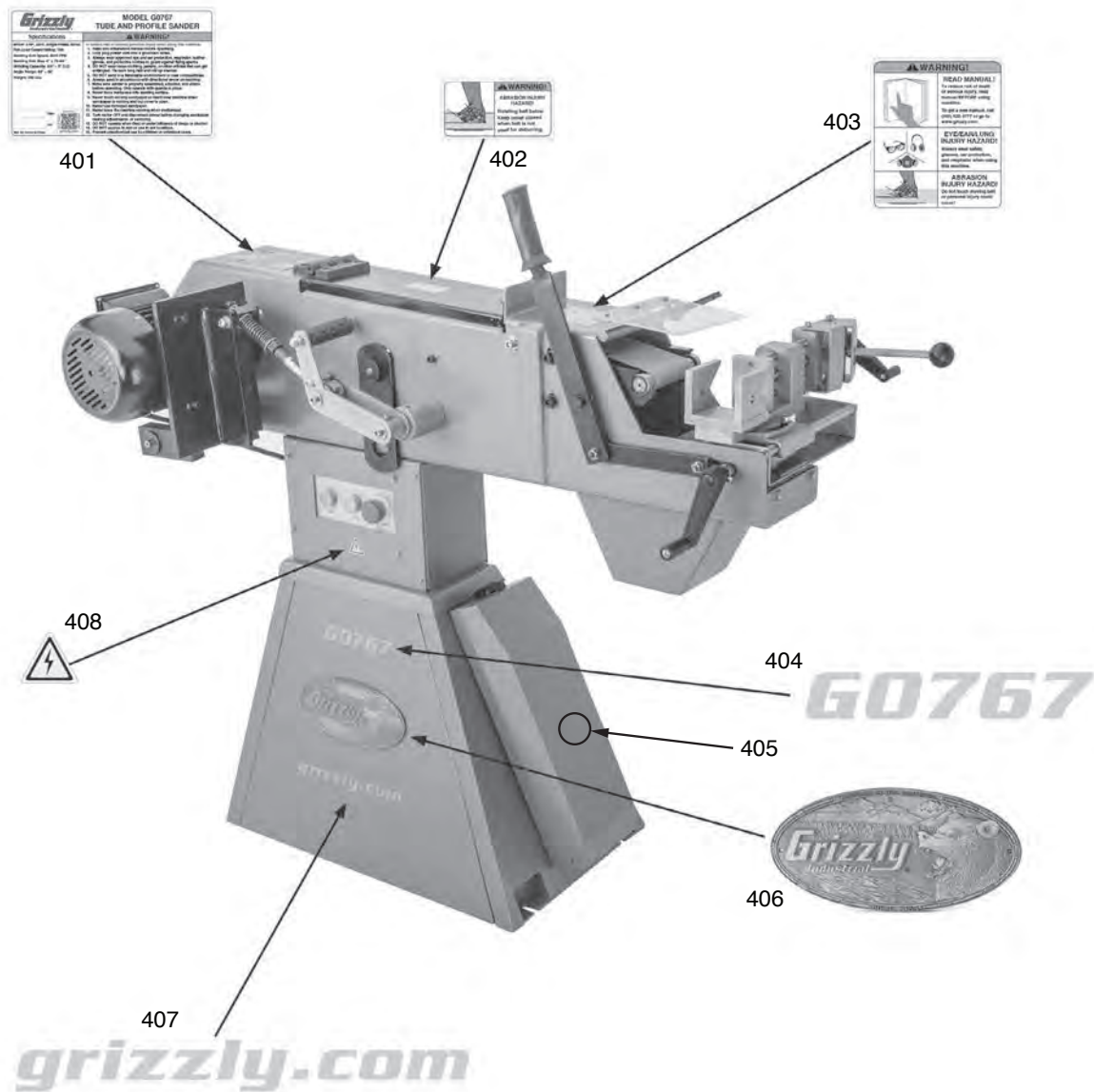


REF	PART #	DESCRIPTION
301	P0767301	OFF BUTTON IDEC YW-E-01 22MM RED
302	P0767302	ON BUTTON IDEC YW-E-10 22MM GRN
303	P0767303	E-STOP BUTTON IDEC YW-E-01 22MM

REF	PART #	DESCRIPTION
304	P0767304	TERMINAL BAR 2P
305	P0767305	OL RELAY SHIHLIN TH-20E 17-21A
306	P0767306	CONTACTOR SHIHLIN S-P21 220V



Labels (Front)



REF	PART #	DESCRIPTION
401	P0767401	MACHINE ID LABEL
402	P0767402	ABRASION HAZARD LABEL
403	P0767403	COMBO WARNING LABEL
404	P0767404	MODEL NUMBER LABEL P-7527C

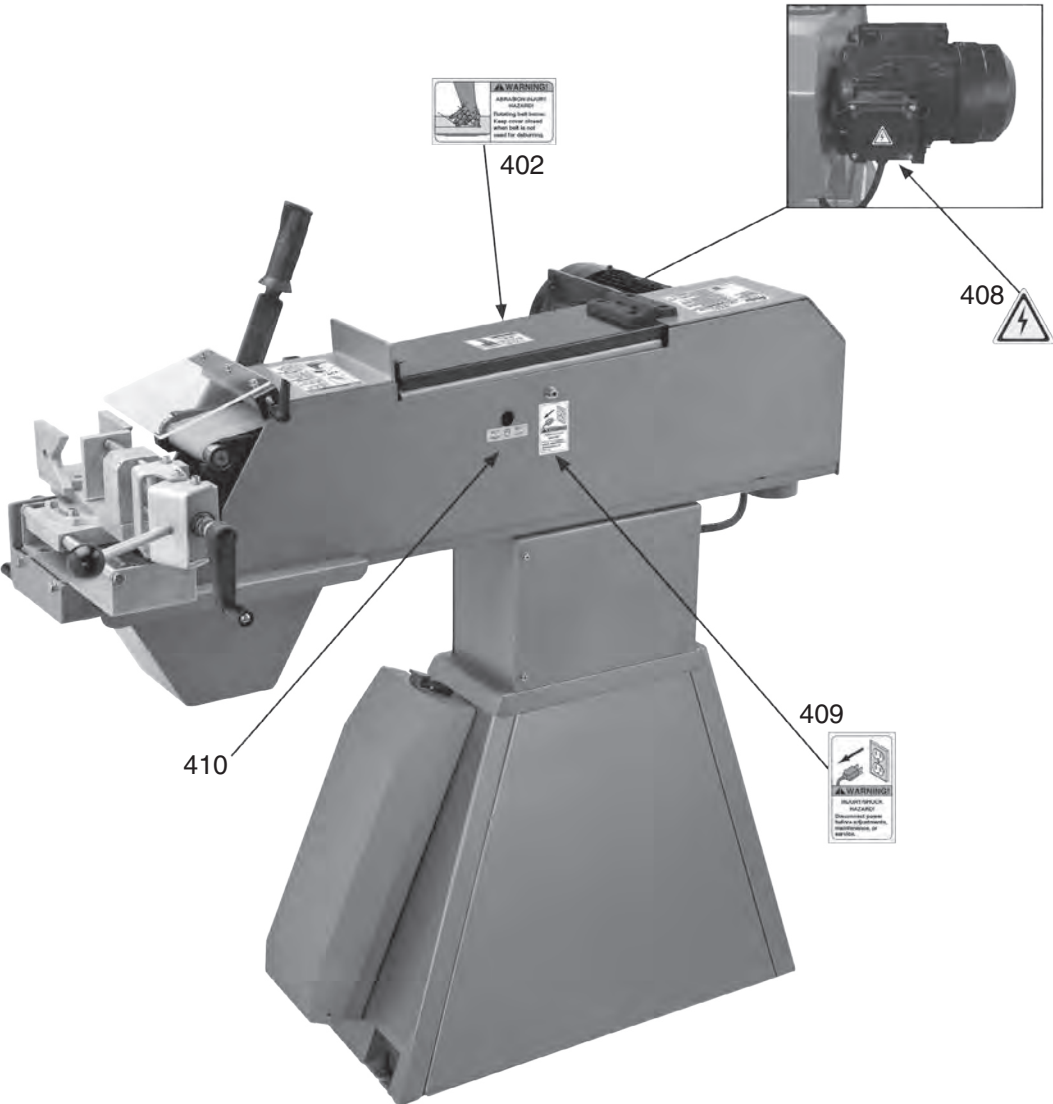
REF	PART #	DESCRIPTION
405	P0767405	GRIZZLY GREEN TOUCH-UP PAINT
406	P0767406	GRIZZLY NAMEPLATE-SMALL
407	P0767407	GRIZZLY.COM LABEL P-7527C
408	P0767408	ELECTRICITY LABEL

⚠️ WARNING

Safety labels help reduce the risk of serious injury caused by machine hazards. If any label comes off or becomes unreadable, the owner of this machine **MUST** replace it in the original location before resuming operations. For replacements, contact (800) 523-4777 or www.grizzly.com.



Labels (Rear)



REF	PART #	DESCRIPTION
402	P0767402	ABRASION HAZARD LABEL
408	P0767408	ELECTRICITY LABEL

REF	PART #	DESCRIPTION
409	P0767409	DISCONNECT POWER WARNING LABEL
410	P0767410	BELT TENSION DIRECTION LABEL

