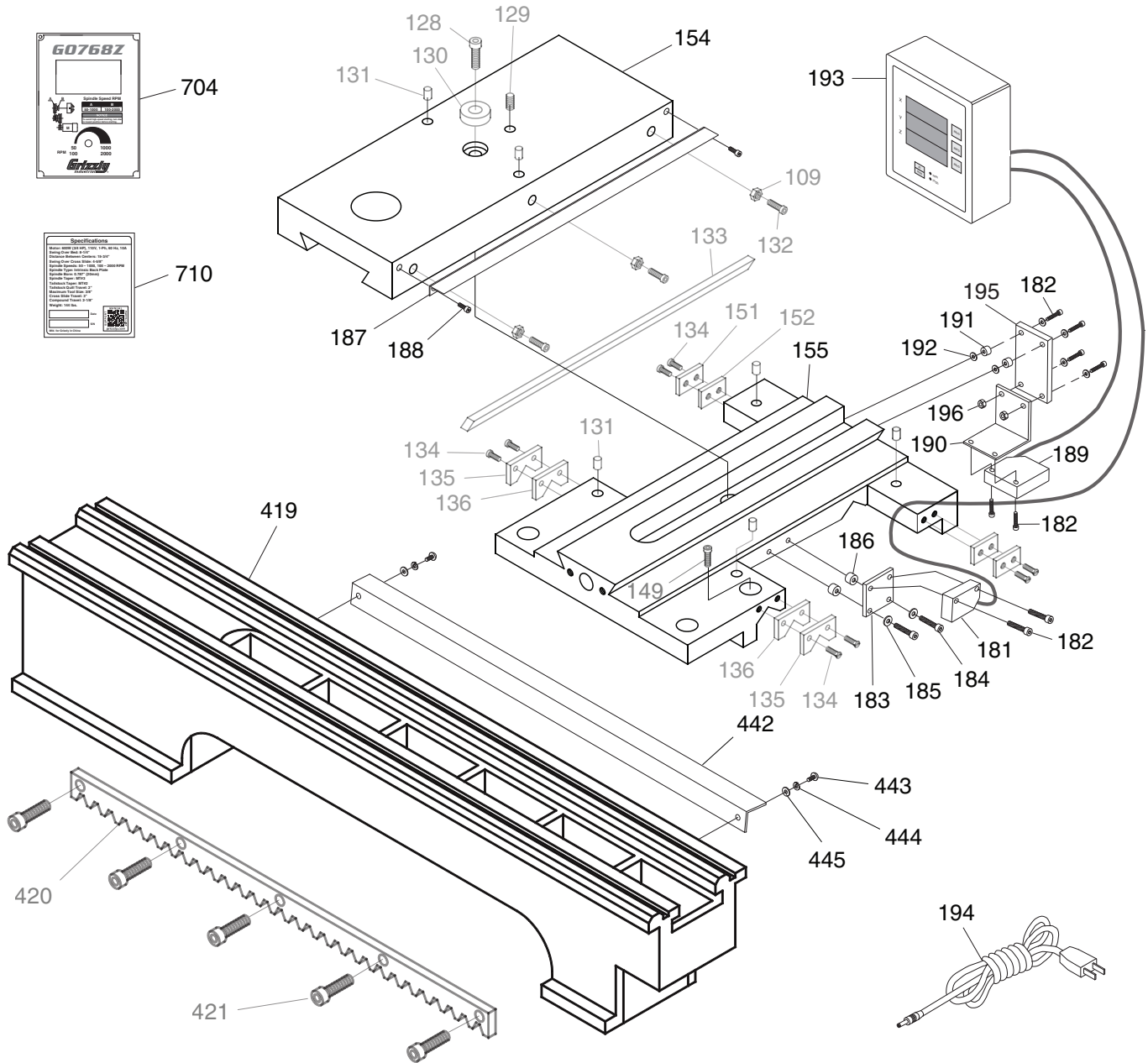


G0768Z Unique Parts



REF PART #	DESCRIPTION
154	P0768Z154 CROSS SLIDE
155	P0768Z155 SADDLE
181	P0768Z181 X-AXIS DRO SENSOR
182	P0768Z182 CAP SCREW M3-.5 X 16
183	P0768Z183 X-AXIS MOUNTING PLATE
184	P0768Z184 CAP SCREW M3-.5 X 20
185	P0768Z185 FLAT WASHER 3MM
186	P0768Z186 SPACER 3 X 7 X 11, PLASTIC
187	P0768Z187 X-AXIS SENSOR BRACKET 9 X 29 X 182
188	P0768Z188 CAP SCREW M3-.5 X 6
189	P0768Z189 Z-AXIS DRO SENSOR
190	P0768Z190 Z-AXIS SENSOR MOUNTING BRACKET
191	P0768Z191 SPACER 3 X 7 X 6, PLASTIC

REF PART #	DESCRIPTION
192	P0768Z192 FLAT WASHER 3MM, PLASTIC
193	P0768Z193 DRO DISPLAY UNIT
194	P0768Z194 DRO POWER CORD 2W 18G 72" 1-15P
195	P0768Z195 Z-AXIS SENSOR CONNECTING PLATE
196	P0768Z196 HEX NUT M3-.5
419	P0768Z419 BED
442	P0768Z442 Z-AXIS SENSOR BRACKET 30 X 30 X 400
443	P0768Z443 PHLP HD SCR M4-.7 X 12
444	P0768Z444 LOCK WASHER 4MM
445	P0768Z445 FLAT WASHER 4MM
704	P0768Z704 VARIABLE SPEED LABEL
710	P0768Z710 MACHINE ID LABEL

